



US00D635814S

(12) **United States Design Patent**
Leavens

(10) **Patent No.:** **US D635,814 S**

(45) **Date of Patent:** **** Apr. 12, 2011**

(54) **BARBEQUE**

(75) Inventor: **Benjamin John Leavens**, Woollahra (AU)

(73) Assignee: **Shriro Australia PTY Limited**, Lane Cove, New South Wales (AU)

(**) Term: **14 Years**

(21) Appl. No.: **29/357,688**

(22) Filed: **Mar. 16, 2010**

Related U.S. Application Data

(62) Division of application No. 29/324,011, filed on Sep. 4, 2008, now Pat. No. Des. 614,433.

(30) **Foreign Application Priority Data**

Mar. 10, 2008 (AU) 2008011159
Mar. 10, 2008 (AU) 2008011160
Mar. 10, 2008 (AU) 2008011161

(51) **LOC (9) Cl.** **07-02**

(52) **U.S. Cl.** **D7/334**

(58) **Field of Classification Search** D7/332,
D7/334-337, 402-406; 126/25 R, 9 R, 37 R,
126/41 R, 40, 42, 50, 9 A, 299 C, 98, 201,
126/43-44, 48, 38

See application file for complete search history.

(56) **References Cited**

U.S. PATENT DOCUMENTS

D483,983 S * 12/2003 Harrod et al. D7/334
D501,116 S * 1/2005 Zhang D7/334

D546,116 S * 7/2007 Tseng D7/334
D546,616 S * 7/2007 Tseng D7/334
D560,417 S * 1/2008 Ho et al. D7/334
D566,456 S * 4/2008 Profitt D7/334
D569,168 S * 5/2008 Pai D7/334
D586,609 S * 2/2009 Chau D7/334

* cited by examiner

Primary Examiner — Ruth McInroy

(74) *Attorney, Agent, or Firm* — Patterson Thunte Christensen Pedersen, P.A.

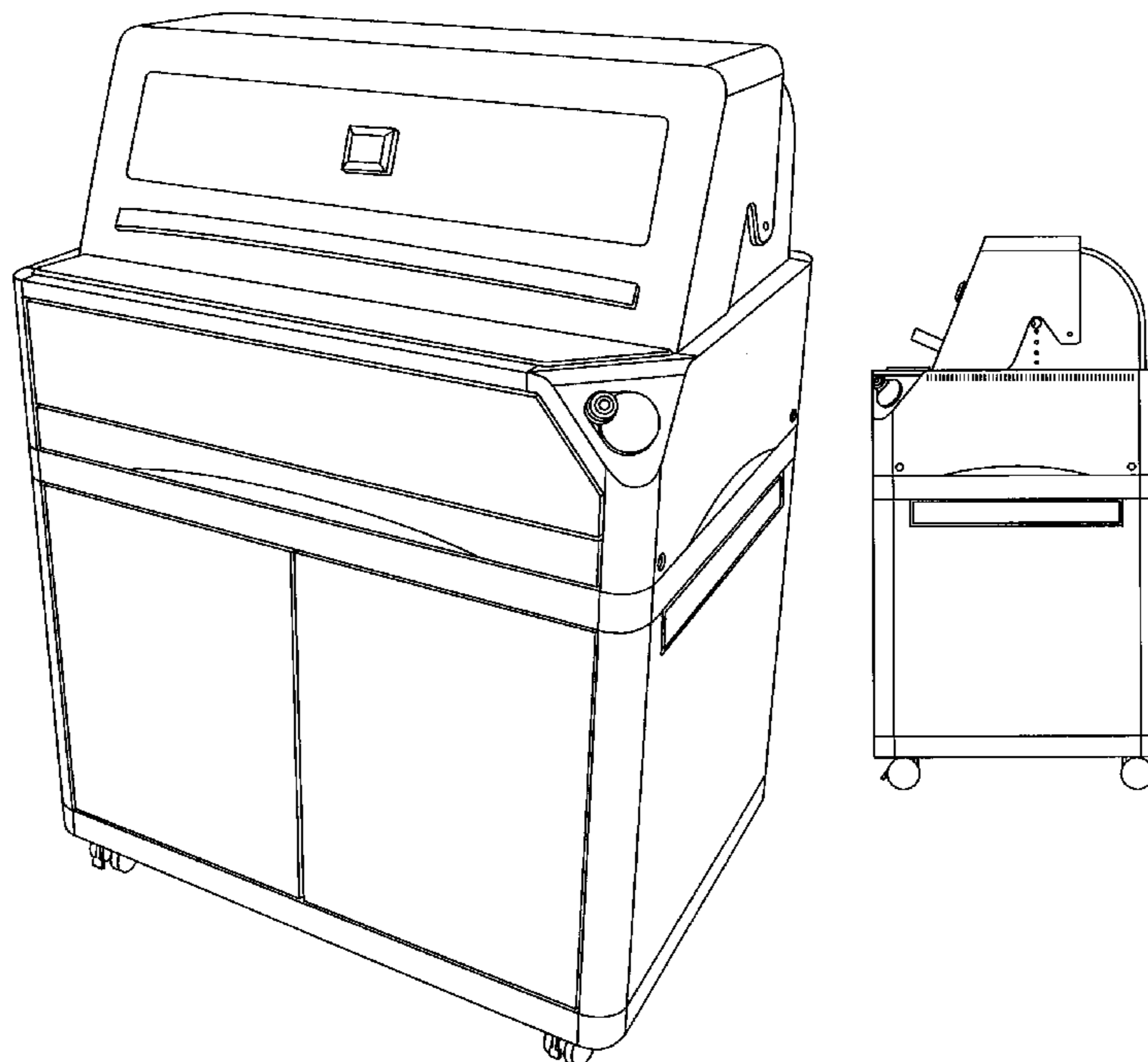
(57) **CLAIM**

The ornamental design for a barbecue, as shown and described.

DESCRIPTION

FIG. 1 is a front perspective view of a barbecue showing my new design;
FIG. 2 is a front elevation view thereof;
FIG. 3 is a right side elevation view thereof;
FIG. 4 is a top plan view thereof;
FIG. 5 is a rear elevation view thereof;
FIG. 6 is a left side elevation view thereof;
FIG. 7 is a front perspective view of a second embodiment thereof;
FIG. 8 is a front elevation view of FIG. 7;
FIG. 9 is a right side elevation view of FIG. 7;
FIG. 10 is a top plan view of FIG. 7;
FIG. 11 is a rear elevation view of; and,
FIG. 12 is a left side elevation view of FIG. 7.
The broken lines are included for the purpose of illustration and form no part of the claimed design.

1 Claim, 6 Drawing Sheets



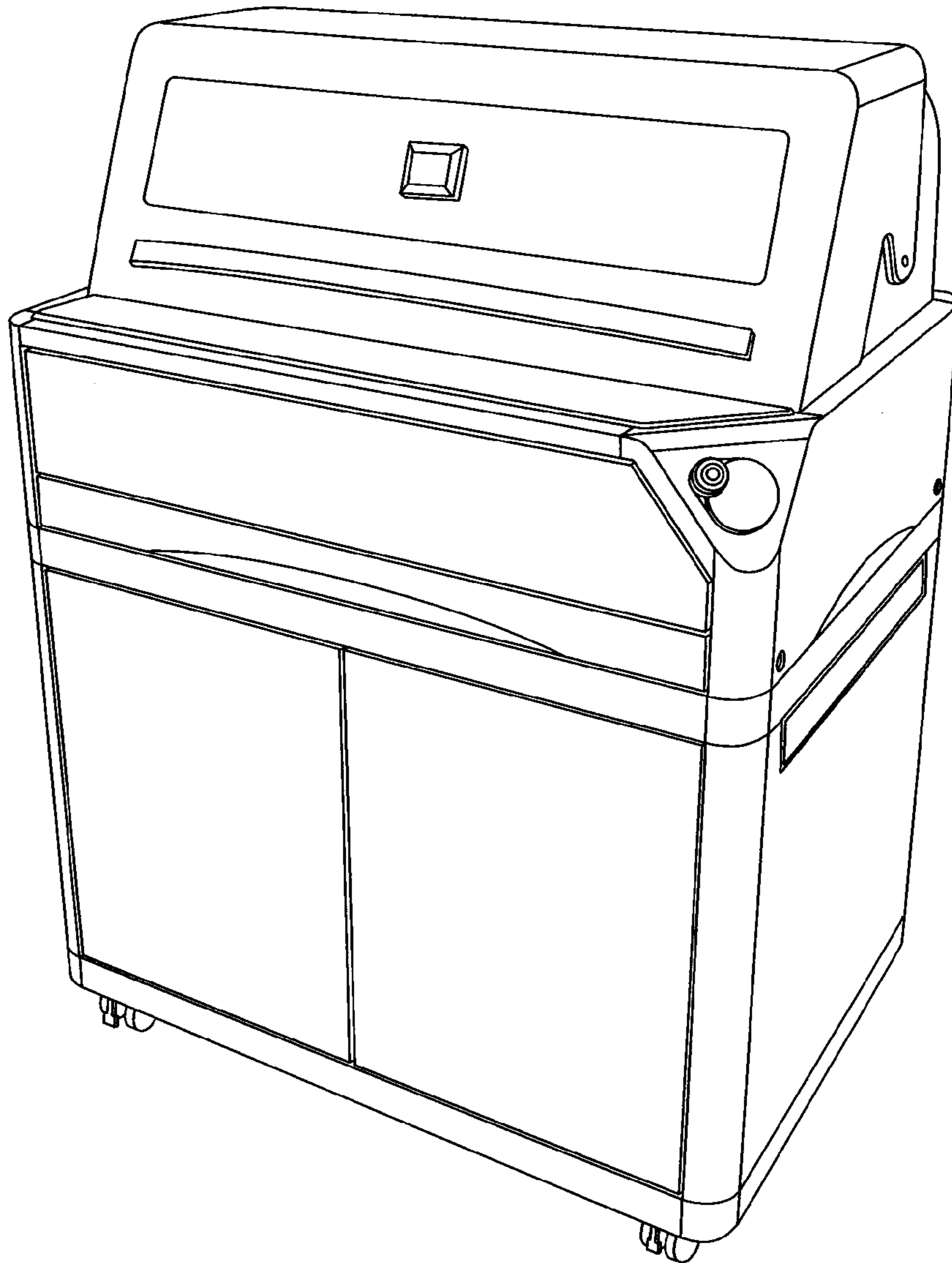


Fig. 1

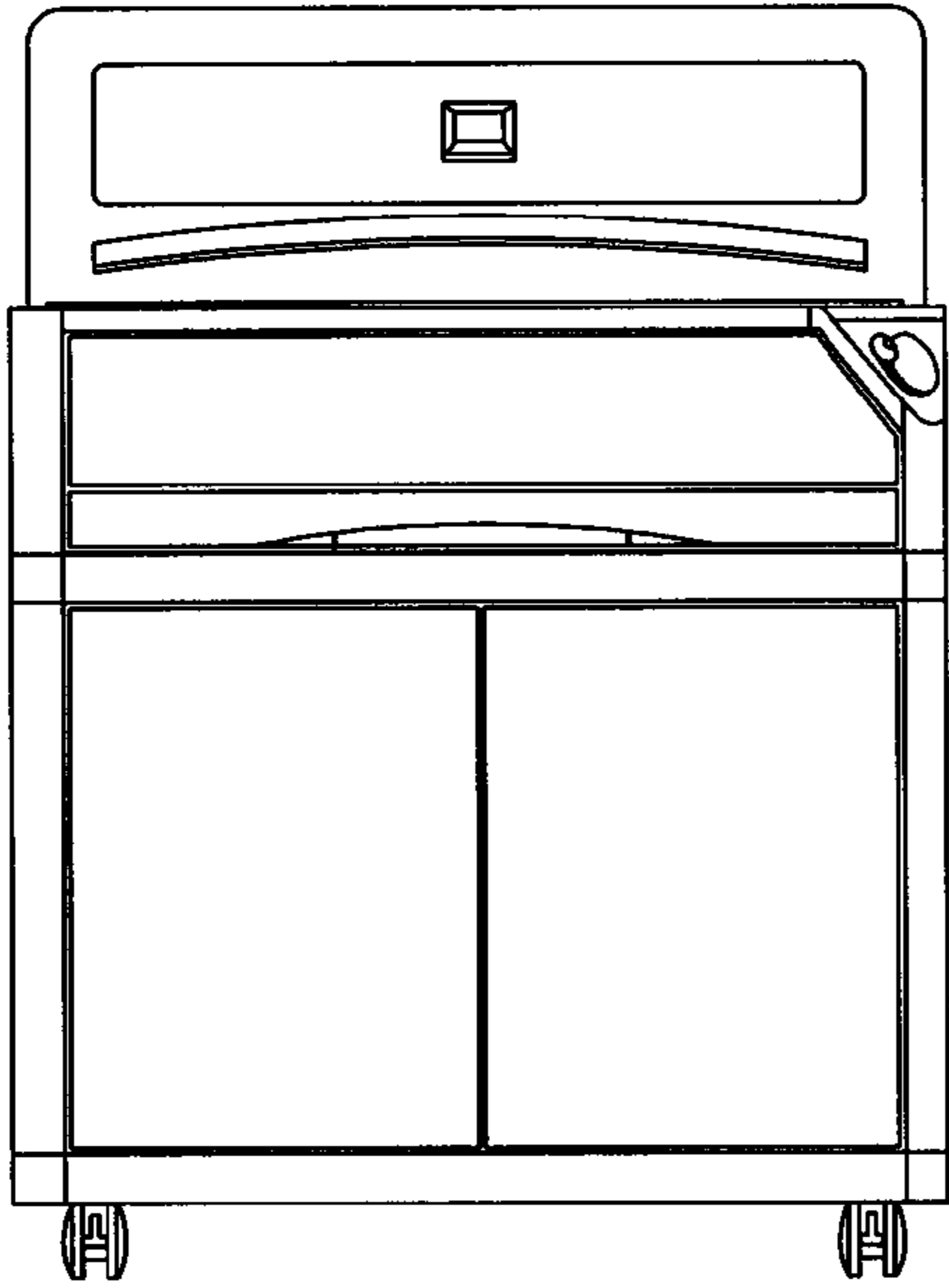


Fig. 2

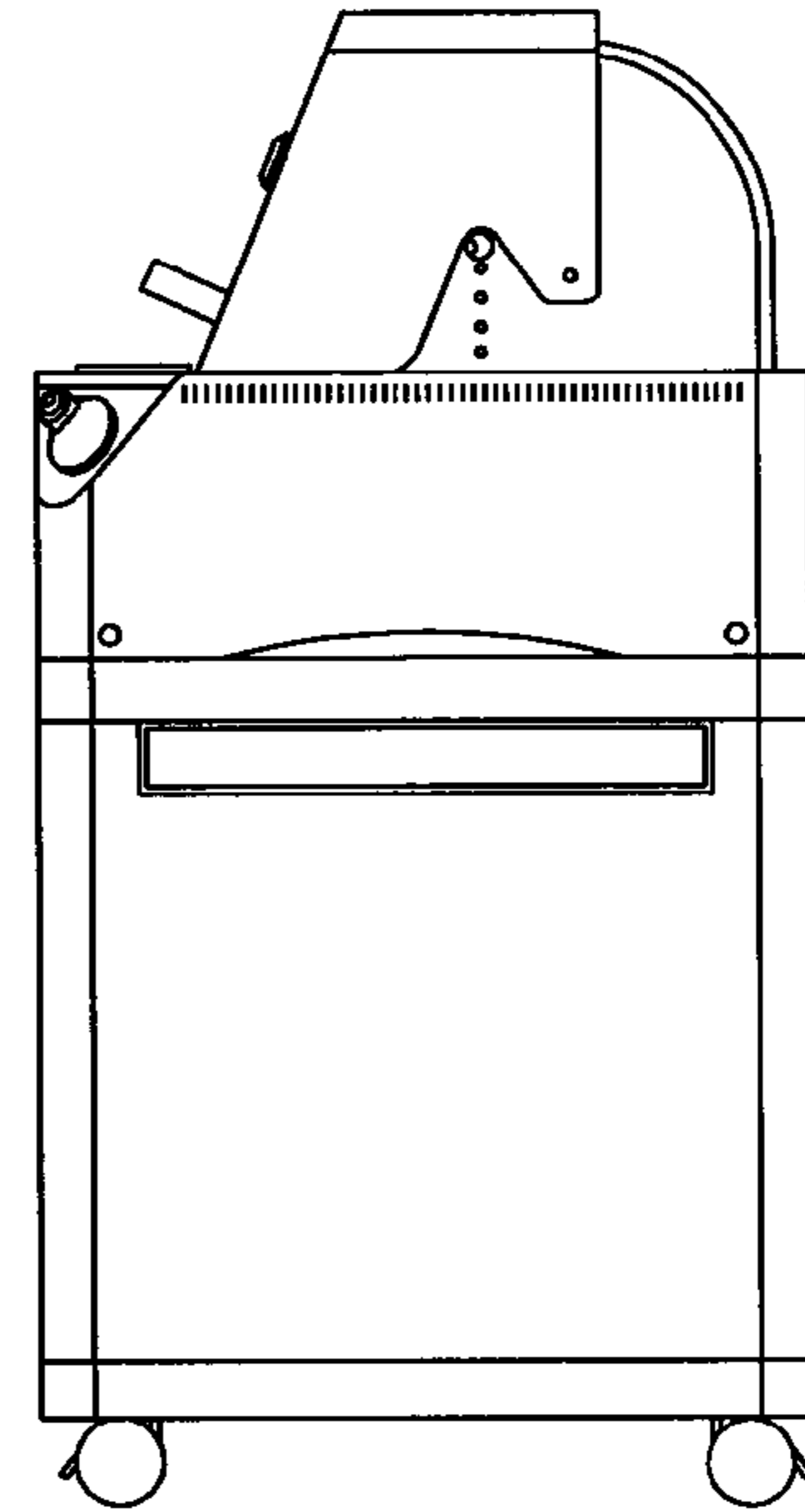


Fig. 3

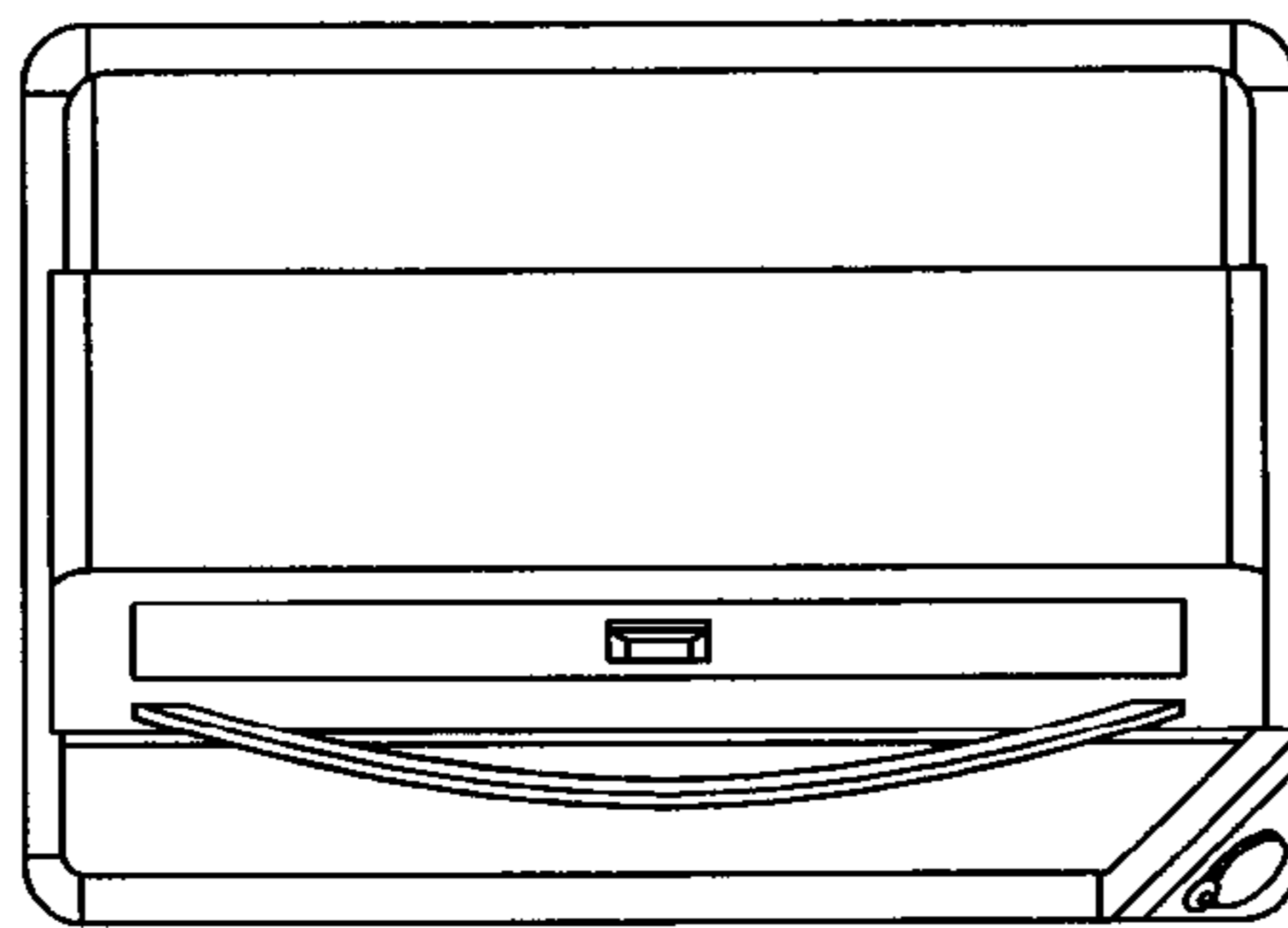


Fig. 4

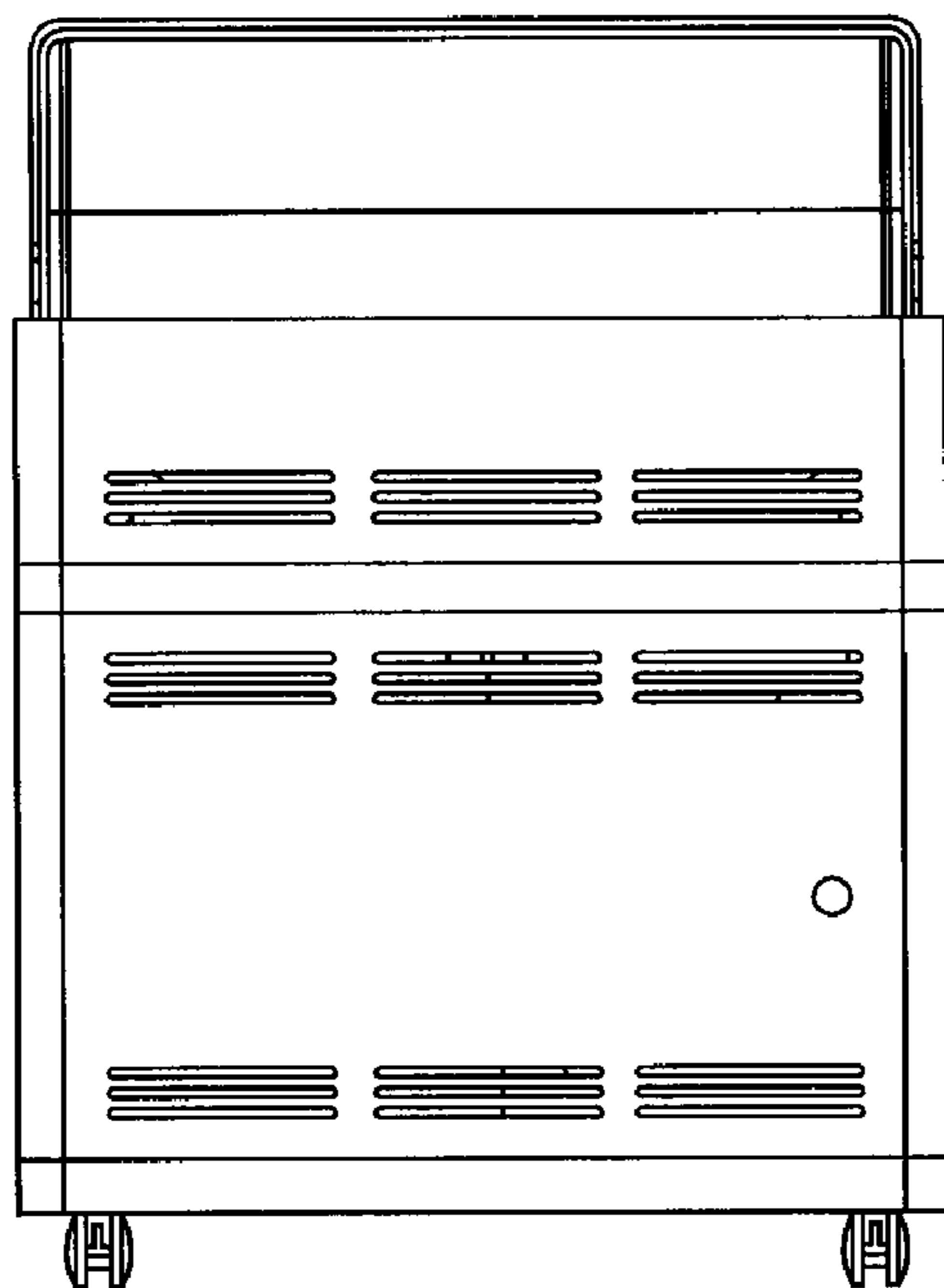


Fig. 5

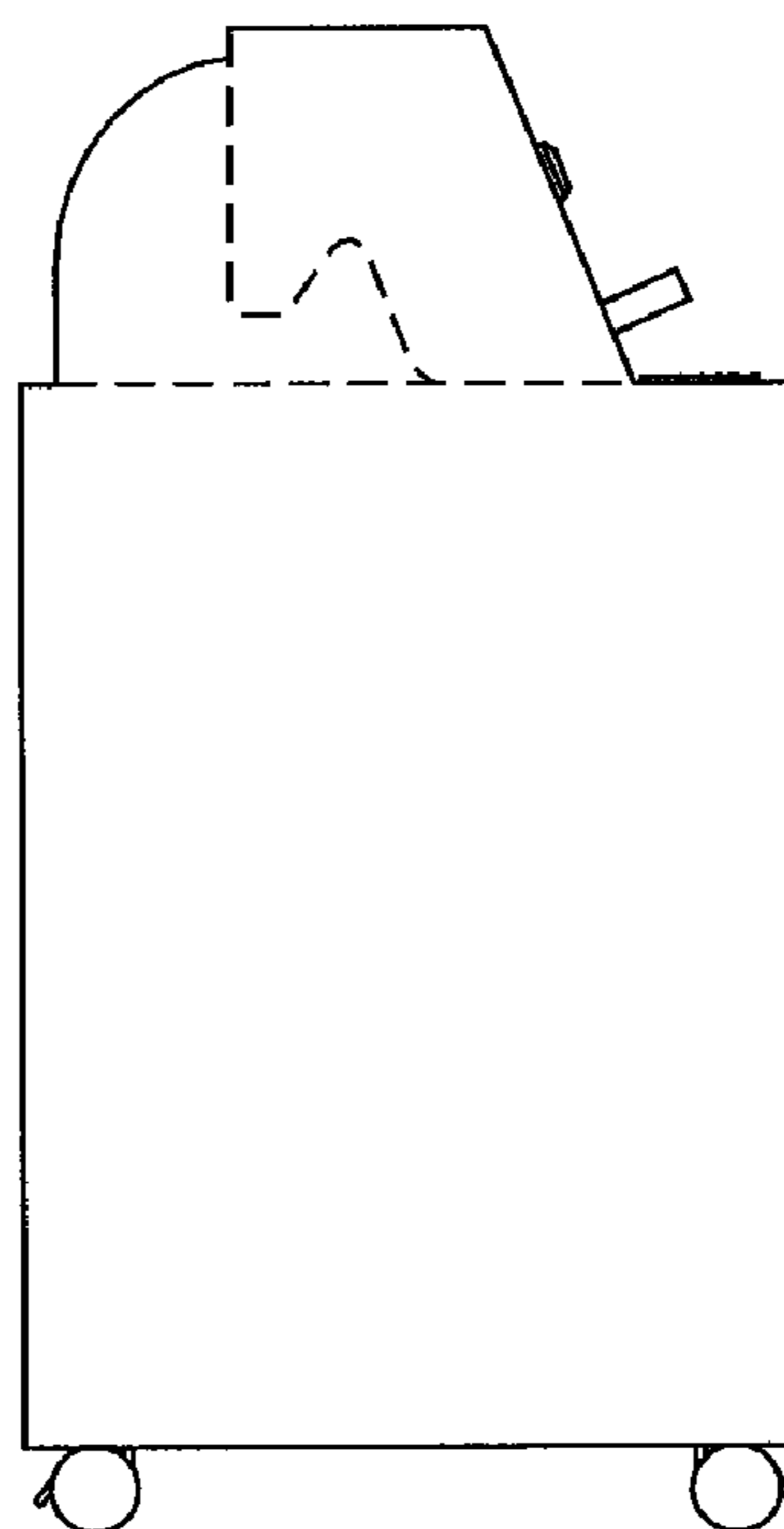


Fig. 6

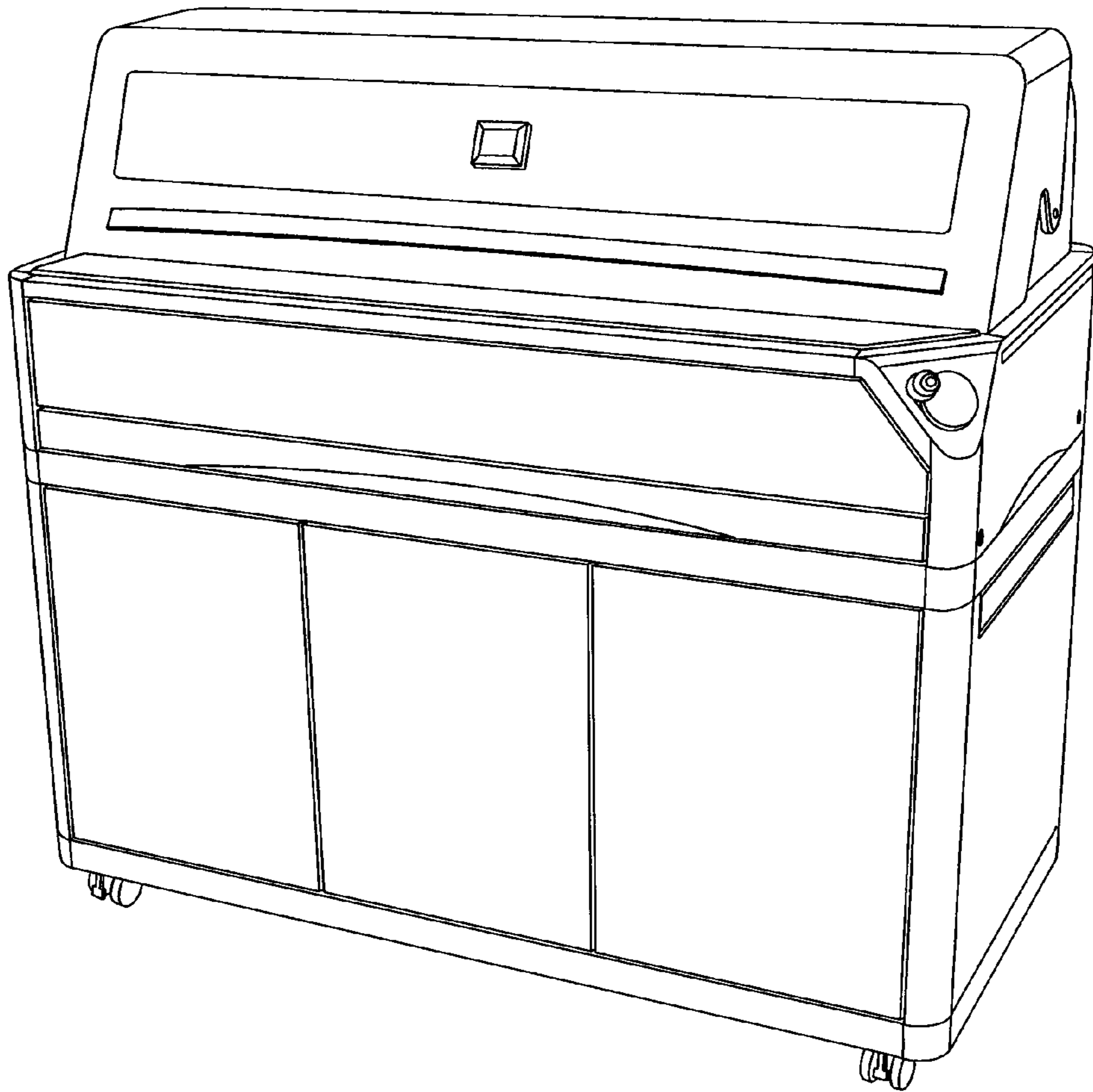


Fig. 7

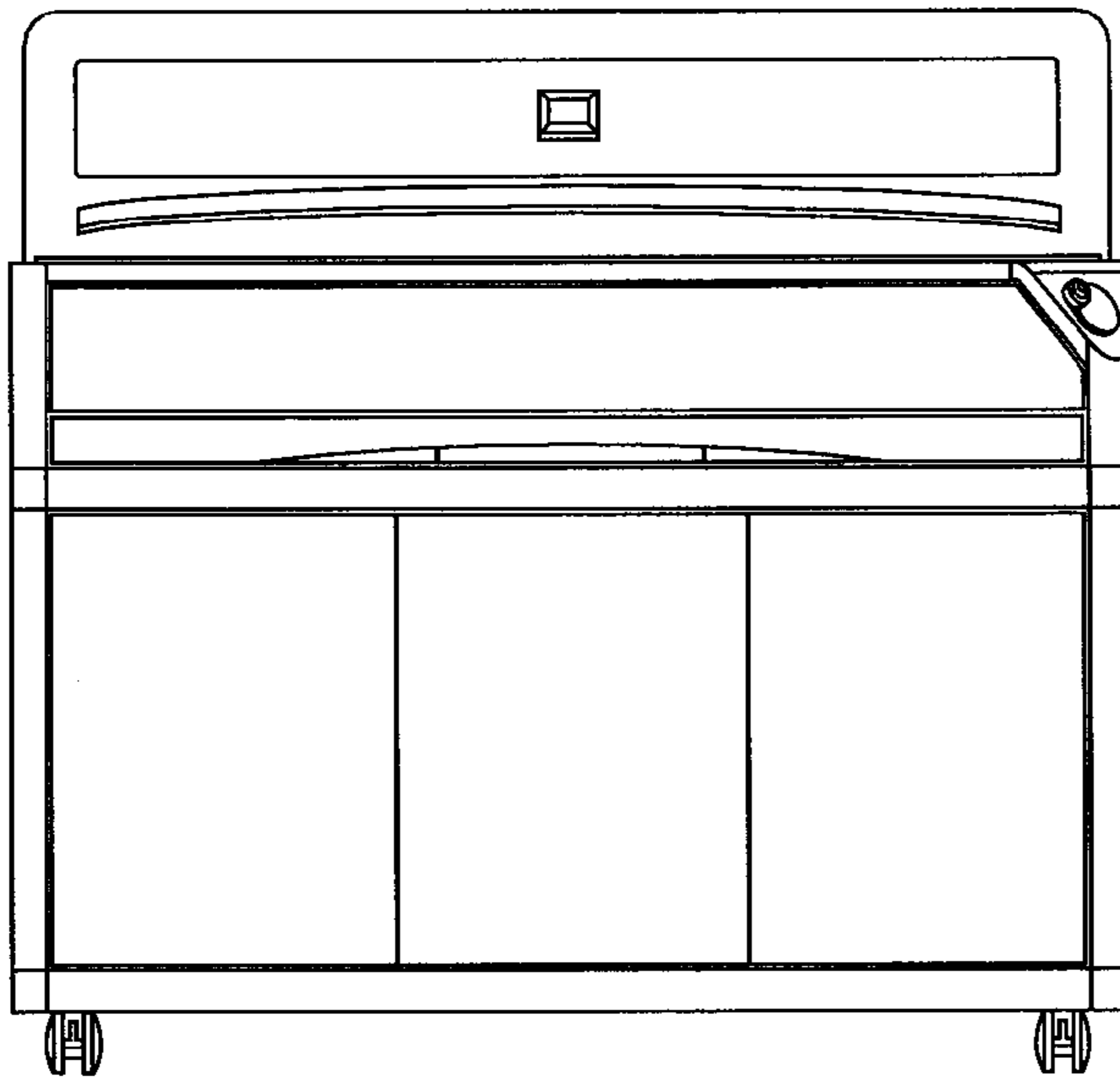


Fig. 8

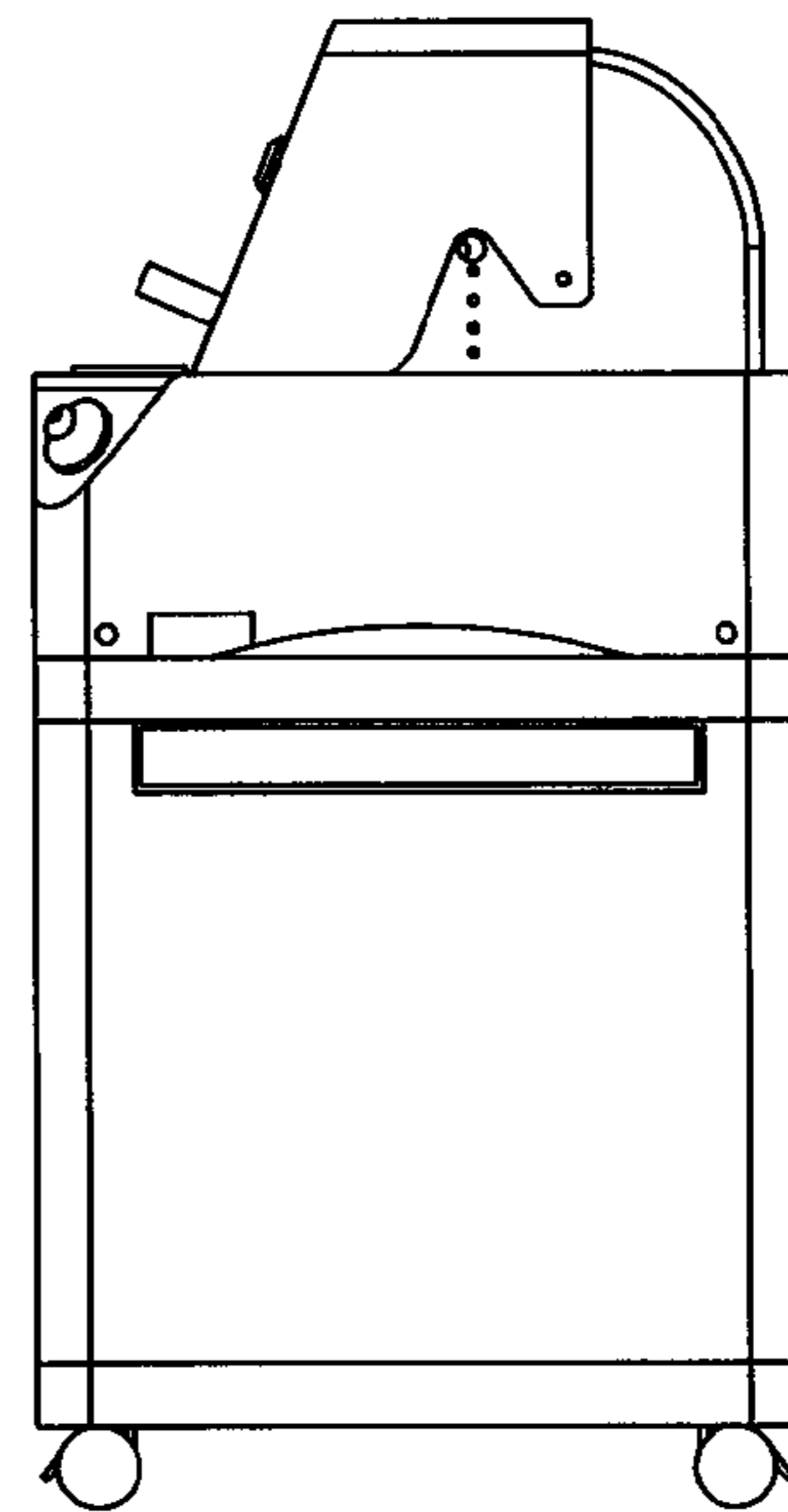


Fig. 9

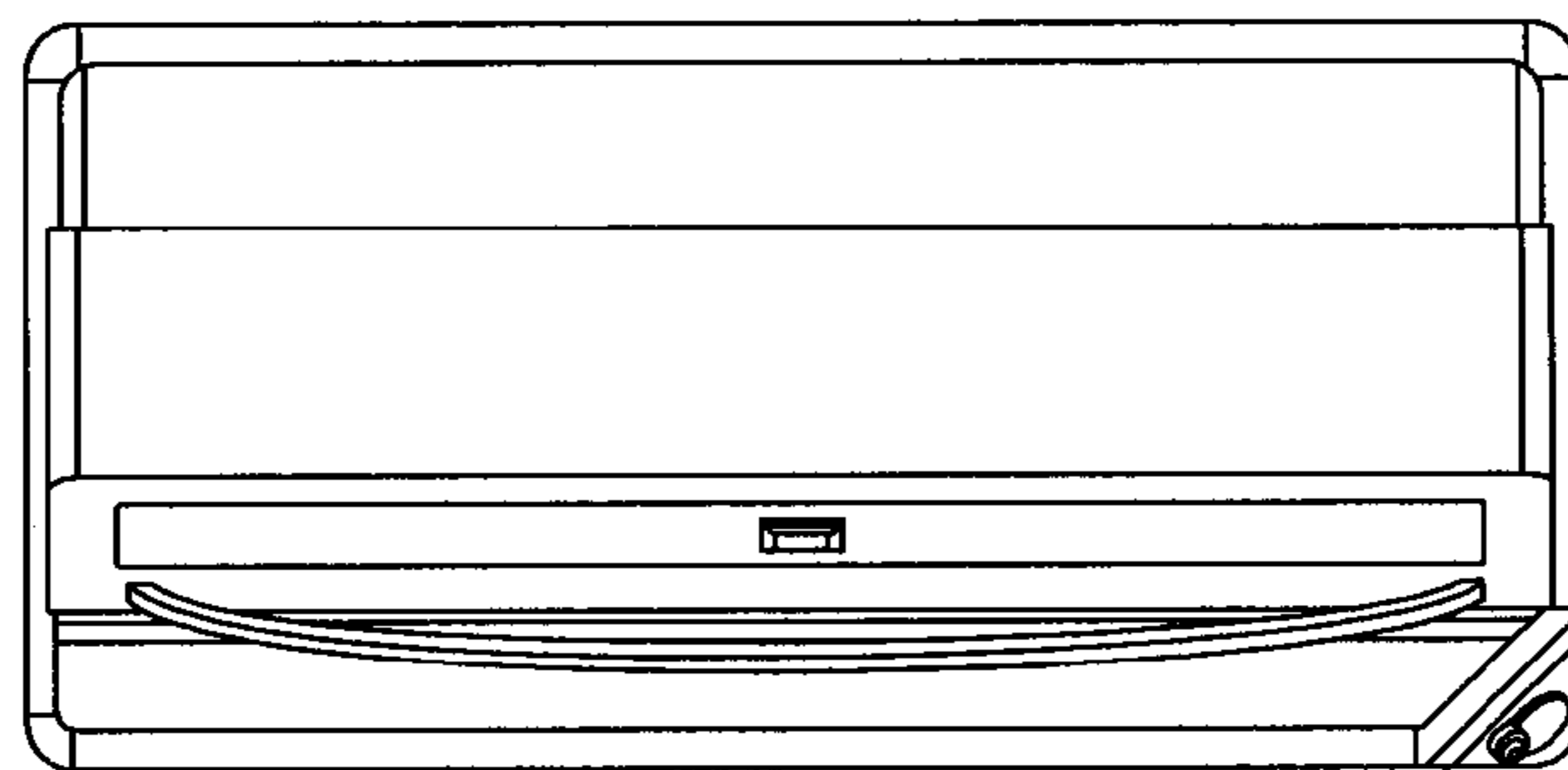


Fig. 10

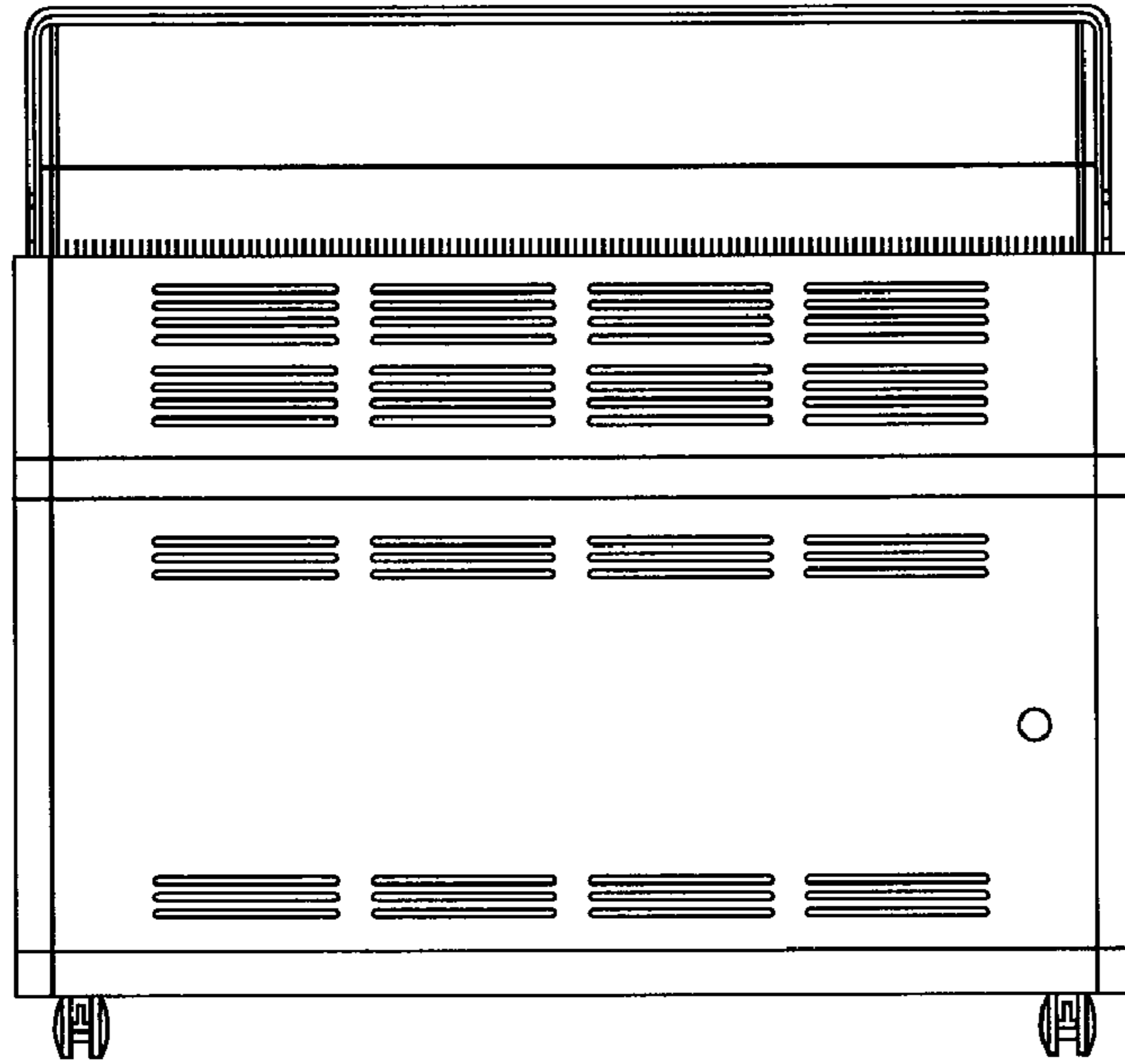


Fig. 11

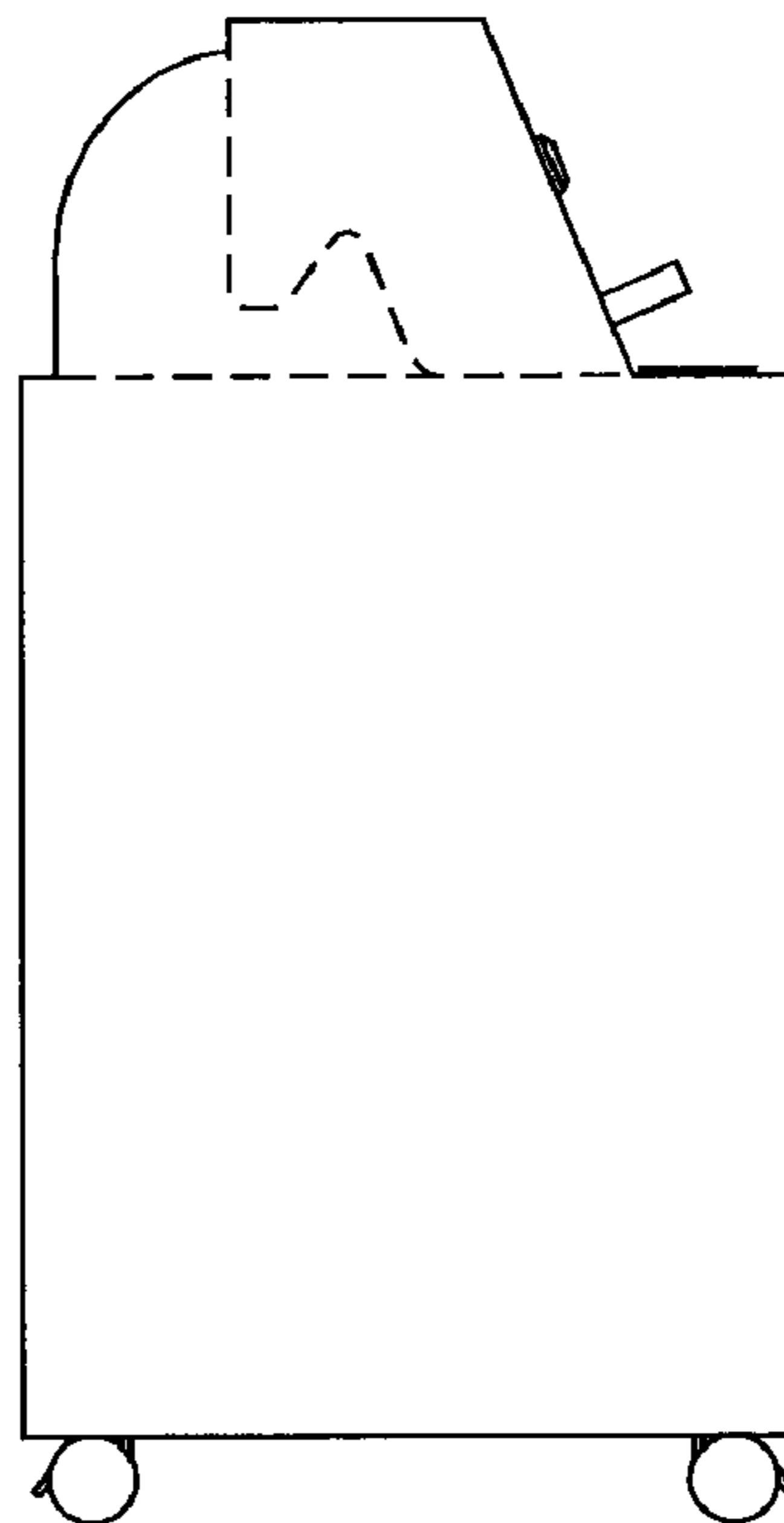


Fig. 12