



US00D635813S

(12) **United States Design Patent**  
**Moore et al.**

(10) **Patent No.:** **US D635,813 S**  
(45) **Date of Patent:** **\*\* Apr. 12, 2011**

(54) **COFFEE MAKER**

(75) Inventors: **Devin Lee Moore**, Decatur, GA (US);  
**Erick Eladio Rios**, Atlanta, GA (US);  
**Shun Keith Chung Tse**, Tin Hau (HK)

(73) Assignee: **Conair Corporation**, Stamford, CO  
(US)

(\*\*) Term: **14 Years**

(21) Appl. No.: **29/354,167**

(22) Filed: **Jan. 20, 2010**

(51) **LOC (9) Cl.** ..... **07-01**

(52) **U.S. Cl.** ..... **D7/310; D7/309; D7/311**

(58) **Field of Classification Search** ..... **D7/300,**  
**D7/309-311, 307, 308; 99/289 R, 299, 295,**  
**99/300**

See application file for complete search history.

(56) **References Cited**

**U.S. PATENT DOCUMENTS**

3,968,740 A \* 7/1976 Brown ..... 99/289 R  
D303,903 S \* 10/1989 Yoshiaki et al. .... D7/309  
D304,541 S \* 11/1989 Seiffert ..... D7/309  
D381,237 S \* 7/1997 De'Longhi ..... D7/309  
D408,679 S \* 4/1999 Potts et al. .... D7/309

D431,409 S \* 10/2000 Man ..... D7/309  
D509,701 S \* 9/2005 Lam ..... D7/309  
7,219,596 B2 \* 5/2007 Kief, Jr. .... 99/289 R  
D581,717 S \* 12/2008 Parker et al. .... D7/309  
D584,097 S \* 1/2009 Lam ..... D7/309  
D585,691 S \* 2/2009 Borin ..... D7/309

\* cited by examiner

*Primary Examiner* — Marianne Pandozzi

(74) *Attorney, Agent, or Firm* — Lawrence Cruz

(57) **CLAIM**

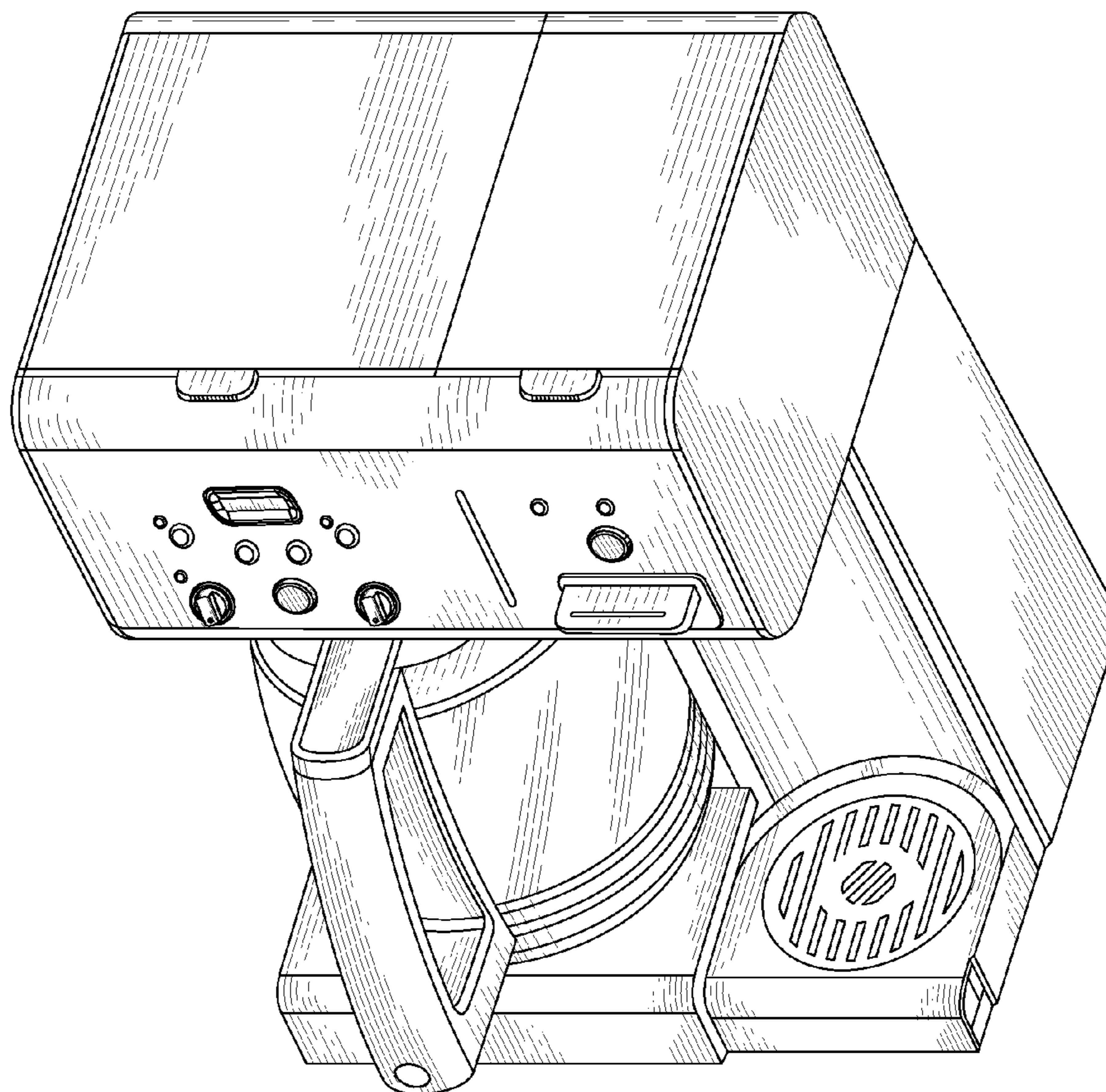
The ornamental design for a coffee maker, as shown and described.

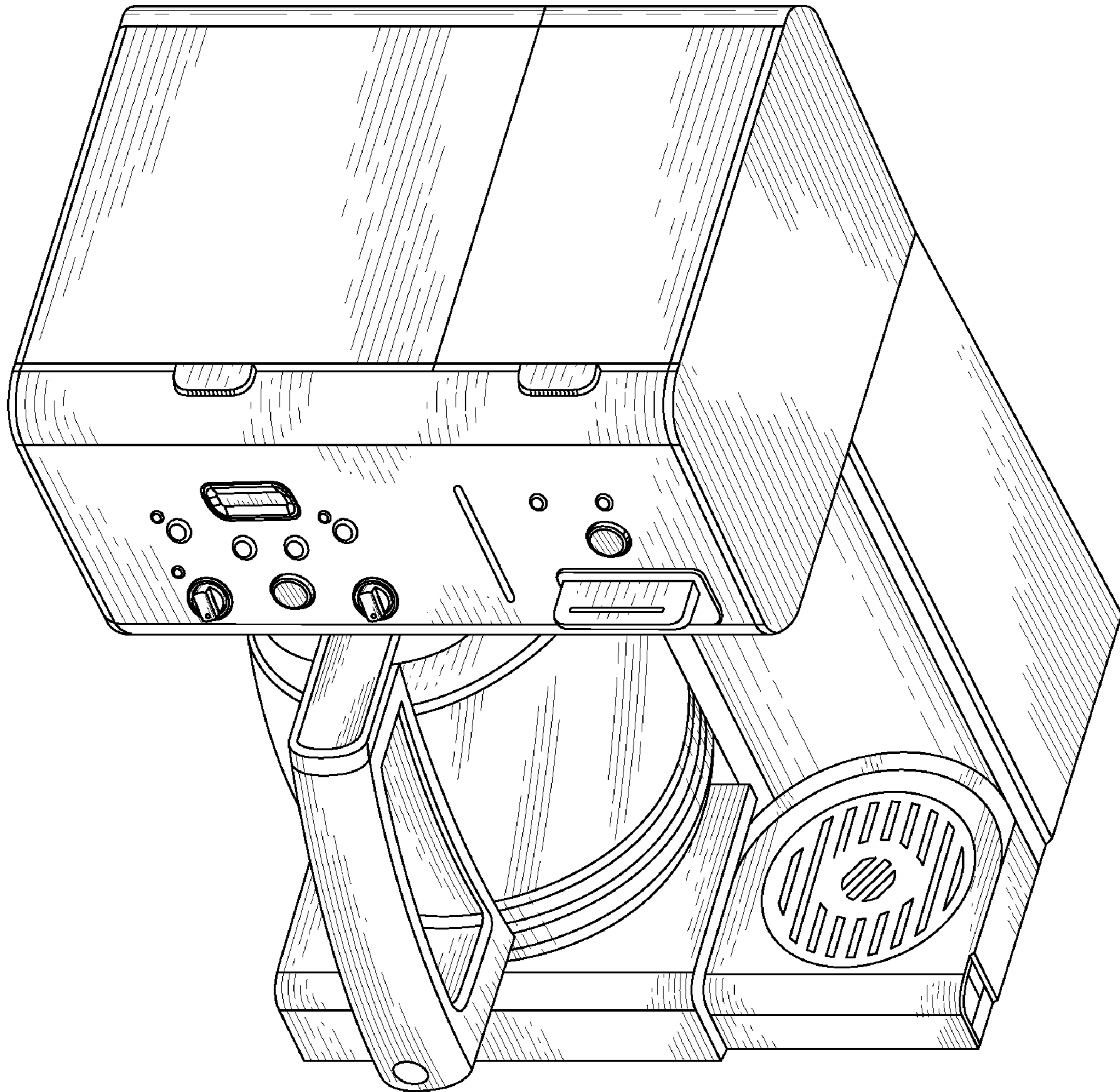
**DESCRIPTION**

FIG. 1 is a perspective view of a coffee maker showing a new design;  
FIG. 2 is front elevational view thereof;  
FIG. 3 is a rear elevational view thereof;  
FIG. 4 is a right side elevational view thereof;  
FIG. 5 is a left side elevational view thereof;  
FIG. 6 is a top plan view thereof; and,  
FIG. 7 is a bottom plan view thereof.

The broken lines are for illustrative purposes only and form no part of the claimed design.

**1 Claim, 4 Drawing Sheets**





**FIG. 1**

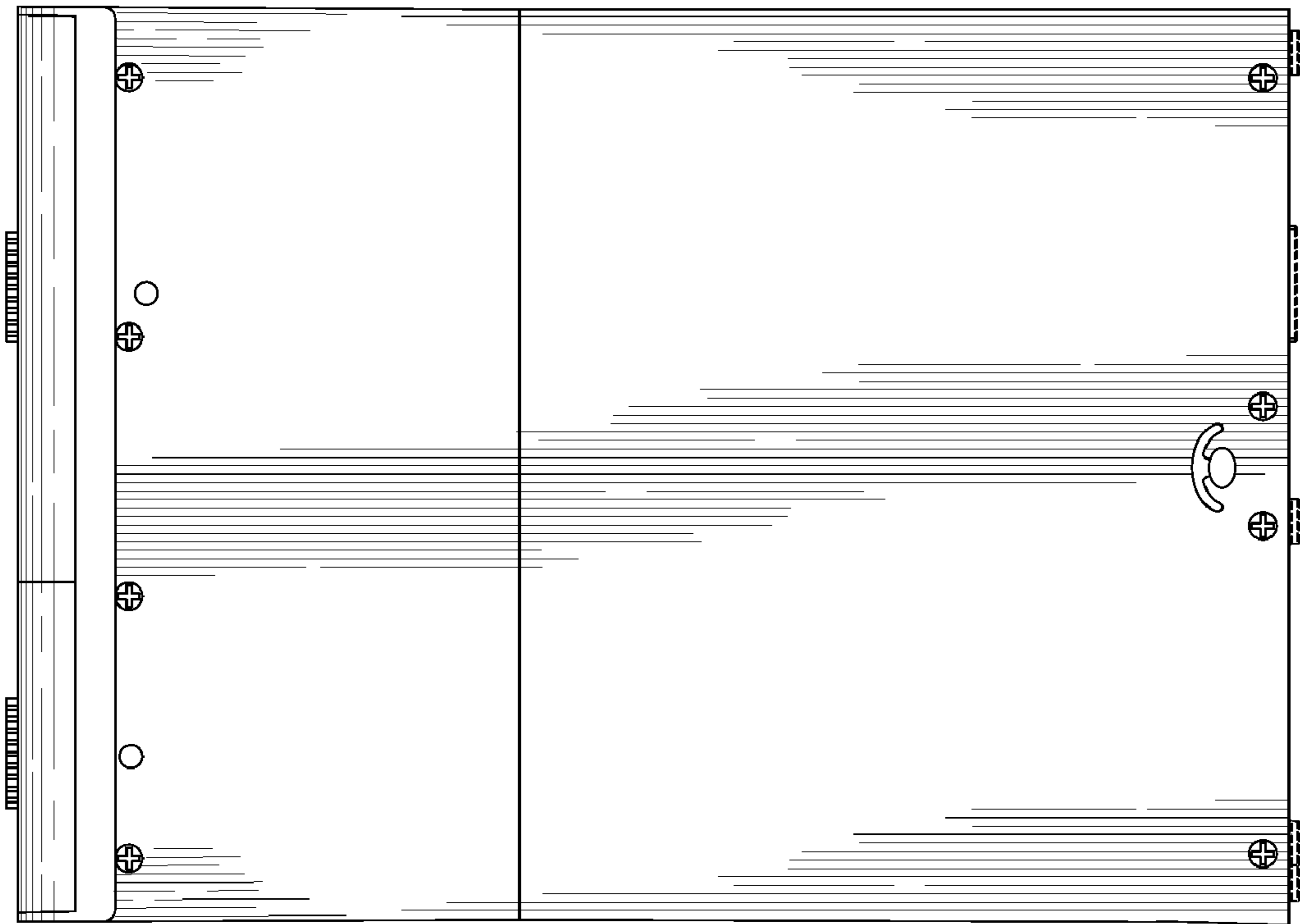


FIG. 3

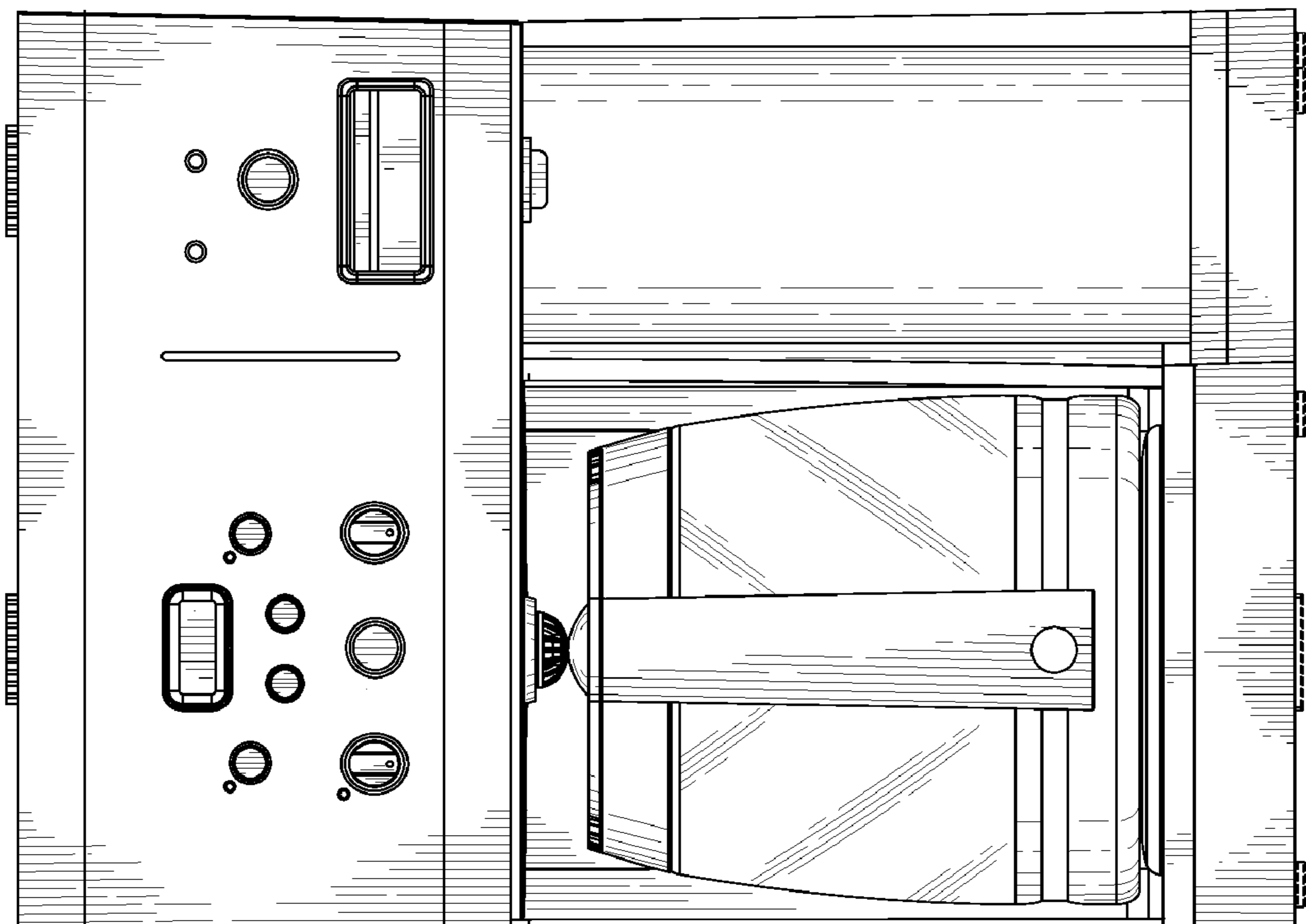


FIG. 2

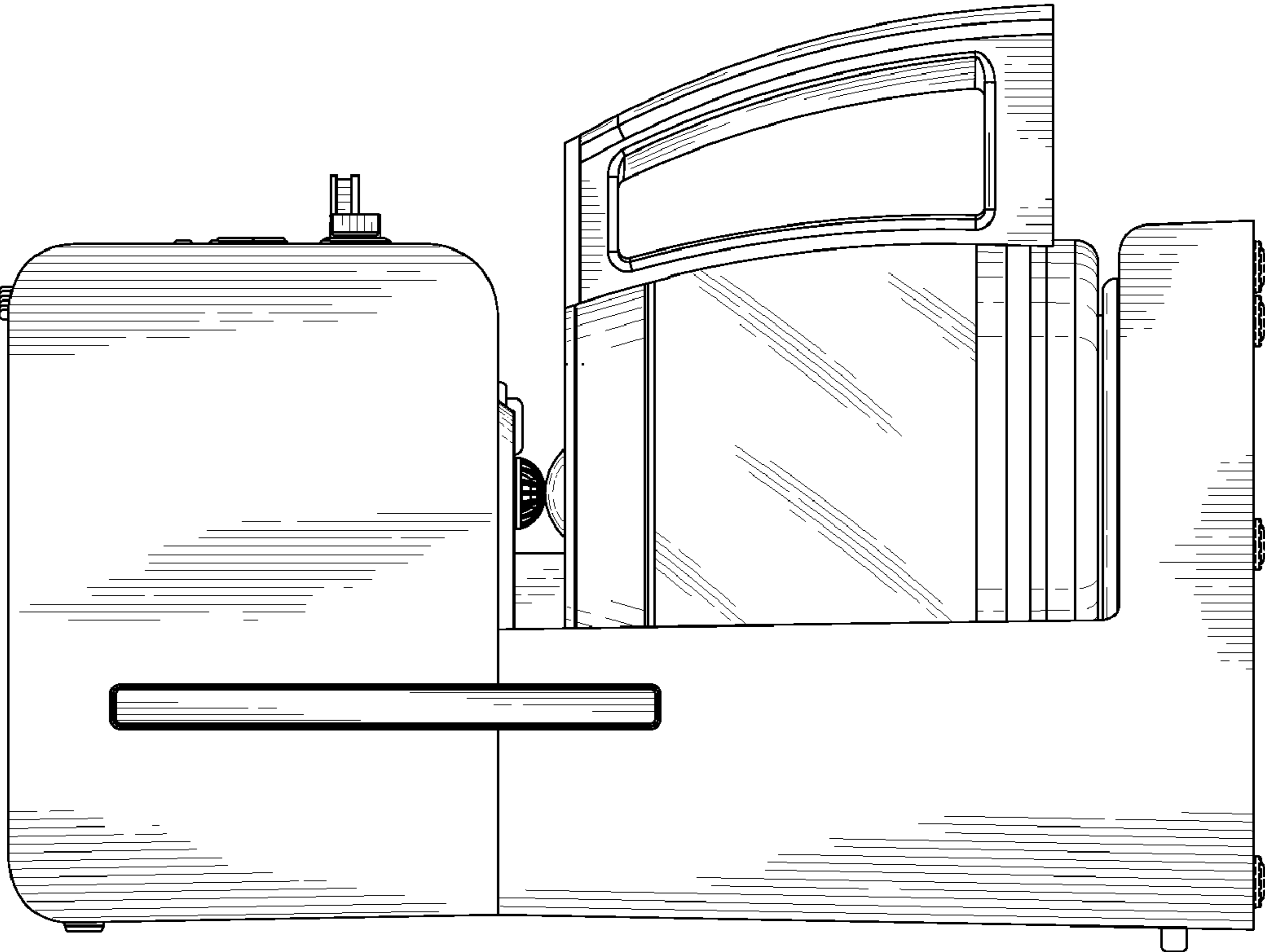


FIG. 5

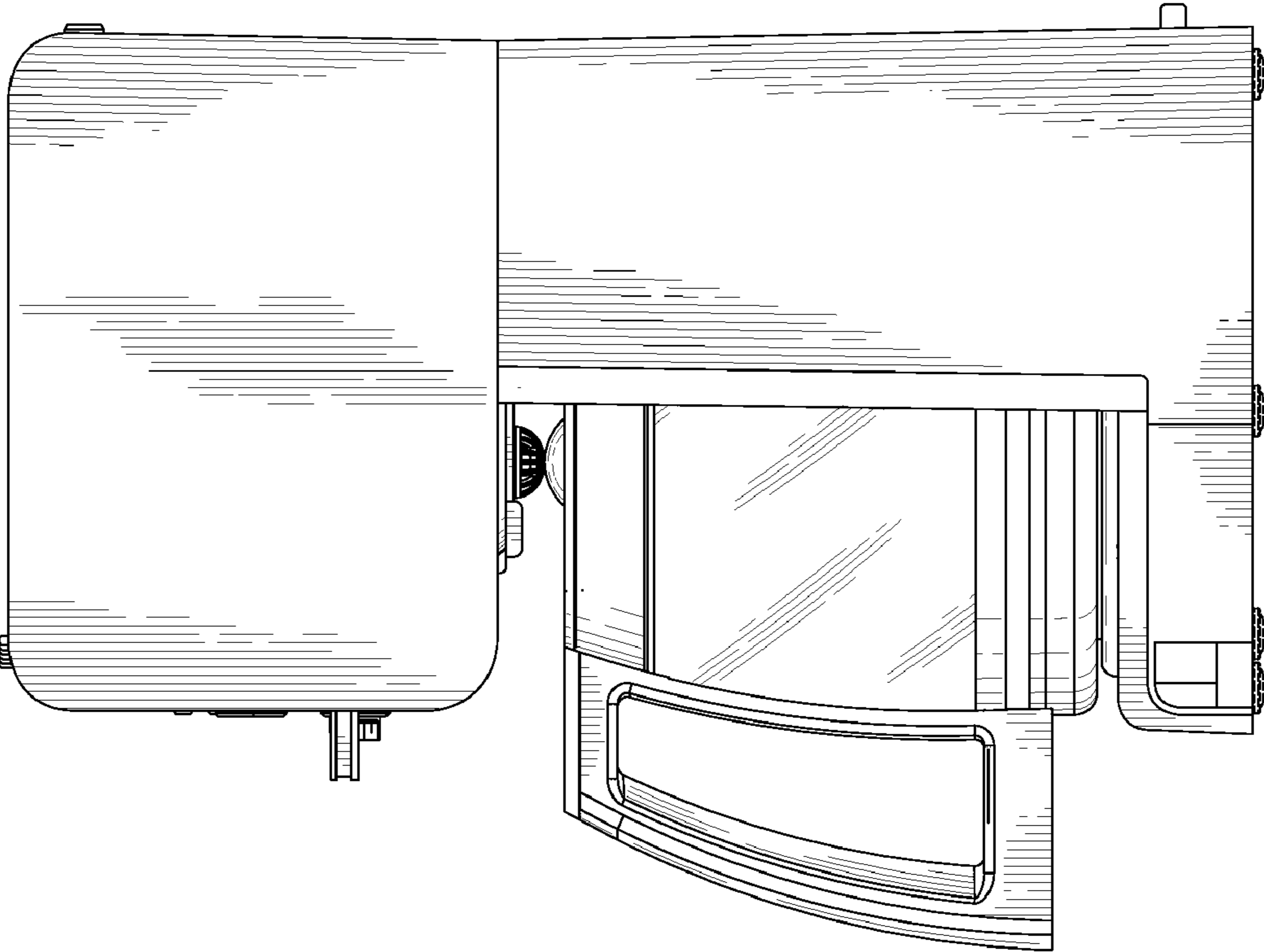


FIG. 4

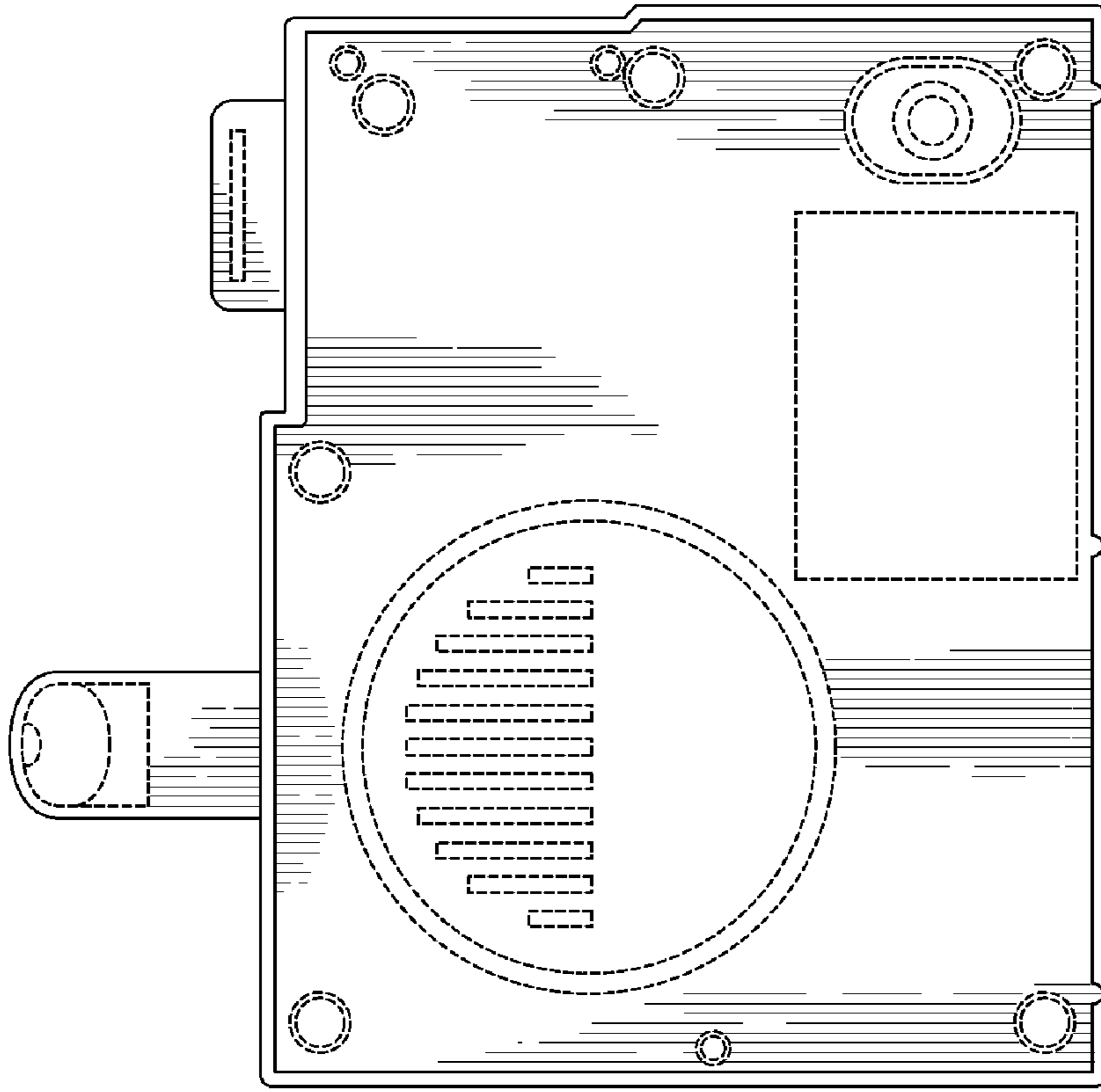


FIG. 7

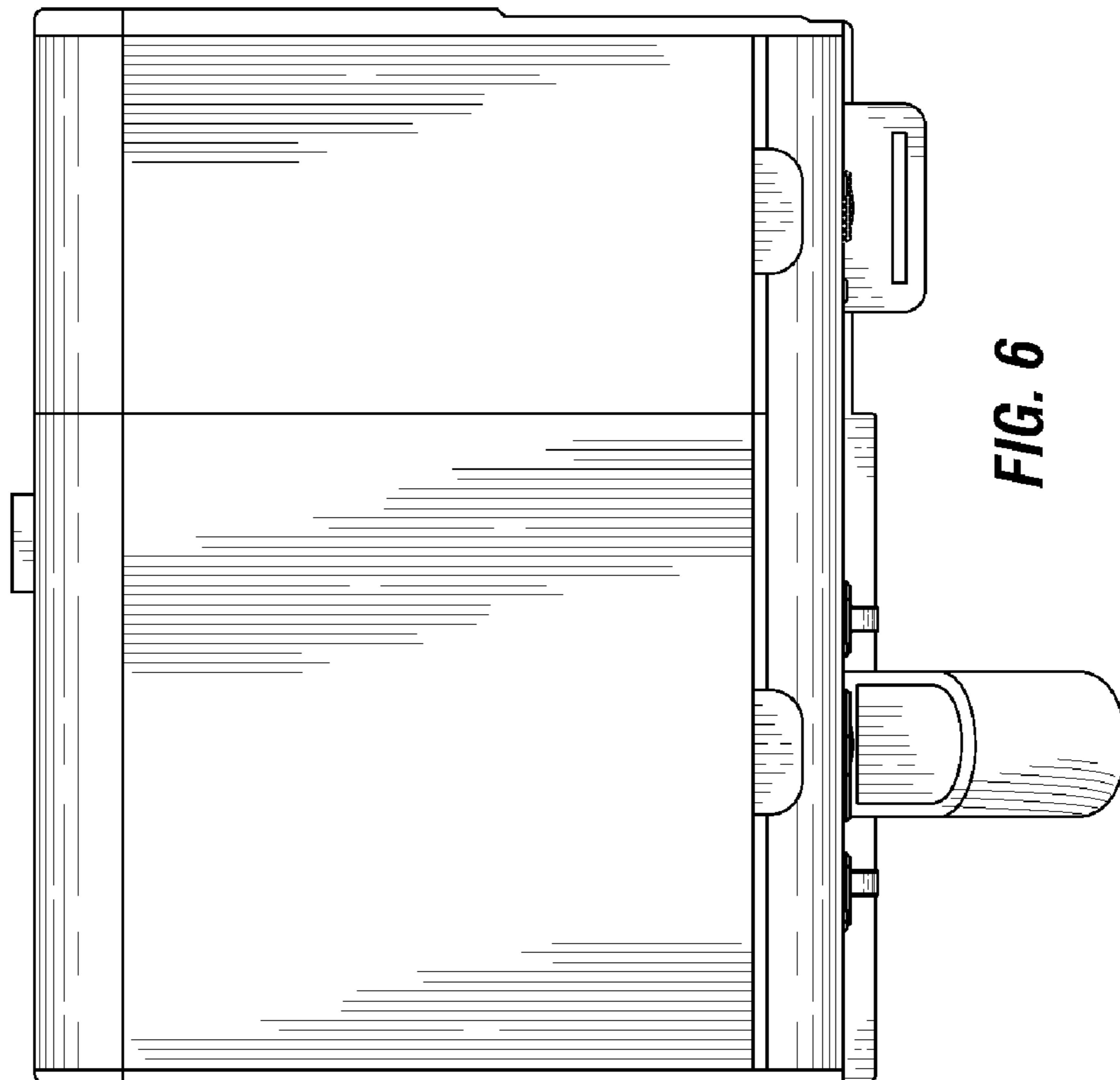


FIG. 6