



US00D635812S

(12) **United States Design Patent**
Wang

(10) **Patent No.:** **US D635,812 S**

(45) **Date of Patent:** **** Apr. 12, 2011**

(54) **WATER COOLER DESIGN**

(75) Inventor: **Chun Yen Wang**, El Paso, TX (US)

(73) Assignee: **MTN Products, Inc.**, LaVerne, CA (US)

(**) Term: **14 Years**

(21) Appl. No.: **29/368,518**

(22) Filed: **Aug. 25, 2010**

Related U.S. Application Data

(62) Division of application No. 29/338,769, filed on Jun. 18, 2009, now Pat. No. Des. 623,885.

(51) **LOC (9) Cl.** **07-01**

(52) **U.S. Cl.** **D7/306; D7/311; D7/313**

(58) **Field of Classification Search** D7/300,
D7/306-311, 312, 313; 222/185.1, 146.6

See application file for complete search history.

(56) **References Cited**

U.S. PATENT DOCUMENTS

D322,534	S	*	12/1991	Chaney	D7/306
D350,453	S	*	9/1994	Chaney	D7/306
D367,797	S	*	3/1996	Hauser et al.	D7/307
D394,185	S	*	5/1998	Eddy et al.	D7/392
D399,088	S	*	10/1998	Chaney	D7/307
5,848,735	A	*	12/1998	Eddy et al.	222/185.1

5,927,557	A	*	7/1999	Busick et al.	222/185.1
D432,847	S	*	10/2000	Smith	D7/306
D498,969	S	*	11/2004	Nicol	D7/306
6,912,867	B2	*	7/2005	Busick	62/338
D554,930	S	*	11/2007	Lavy	D7/307
D571,141	S	*	6/2008	Roosmalen et al.	D7/307
D582,194	S	*	12/2008	Wang	D7/313
D585,690	S	*	2/2009	Dammkoehler	D7/307
D604,554	S	*	11/2009	Lippert et al.	D7/306

* cited by examiner

Primary Examiner — Marianne Pandozzi

(74) *Attorney, Agent, or Firm* — Michael P. Mazza, LLC

(57) **CLAIM**

I claim the ornamental design for the water cooler design, as shown and described in the drawings.

DESCRIPTION

FIG. 1 is a front, side perspective view of a water cooler showing my new design;

FIG. 2 is a front elevational view thereof;

FIG. 3 is a top plan view thereof;

FIG. 4 is a bottom plan view thereof;

FIG. 5 is a left side elevational view thereof;

FIG. 6 is a rear elevational view thereof; and,

FIG. 7 is a right side perspective view thereof.

1 Claim, 2 Drawing Sheets

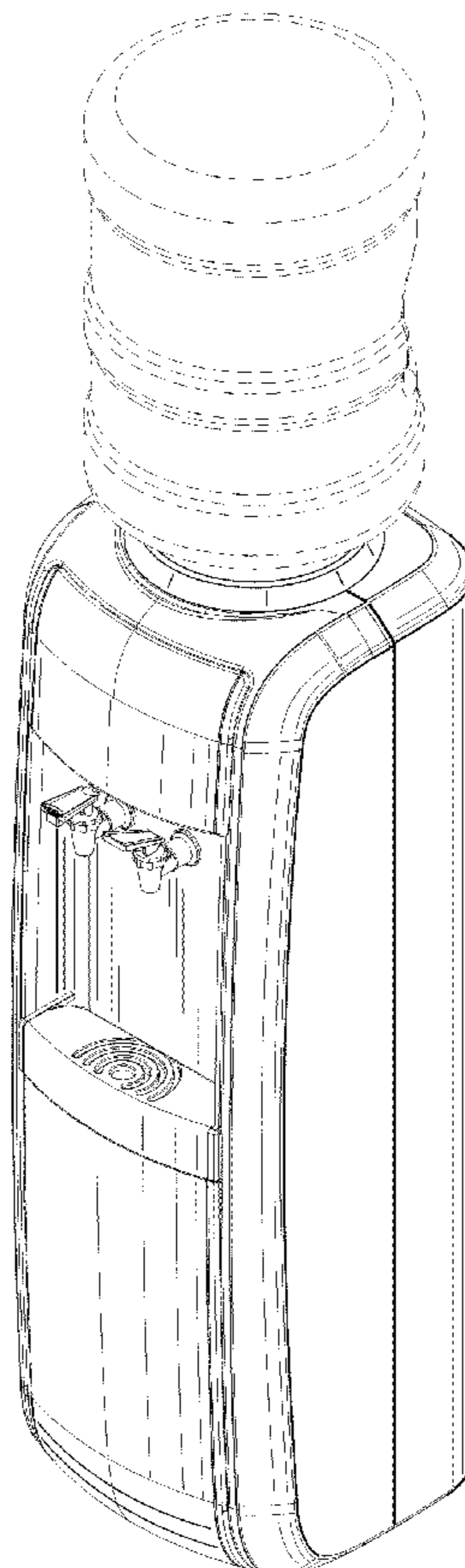


Fig. 1

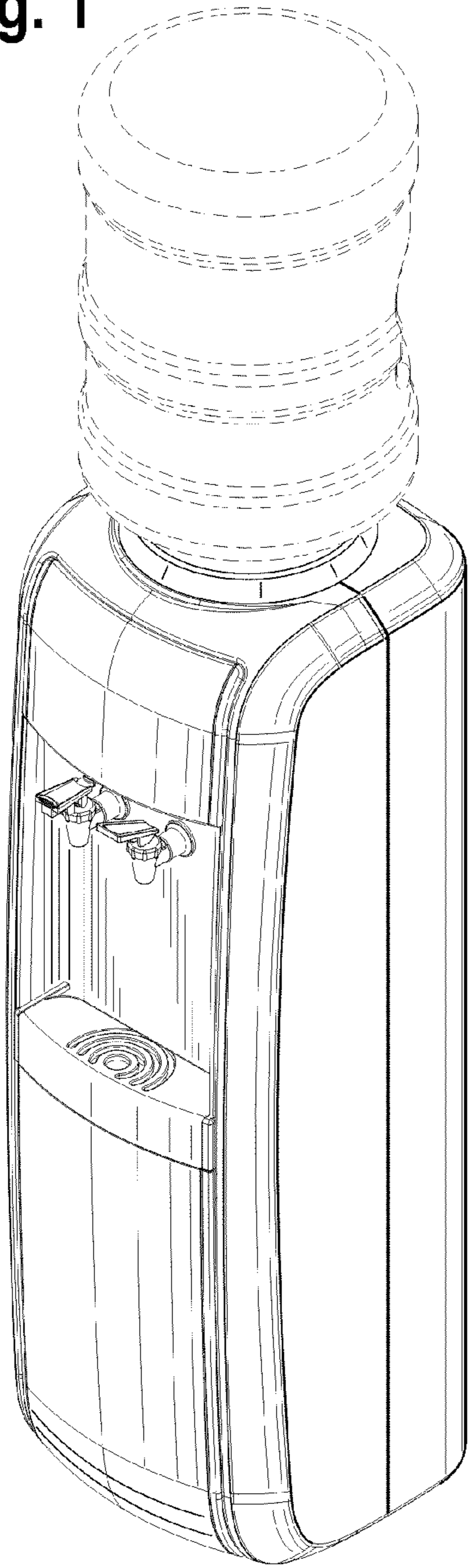


Fig. 2

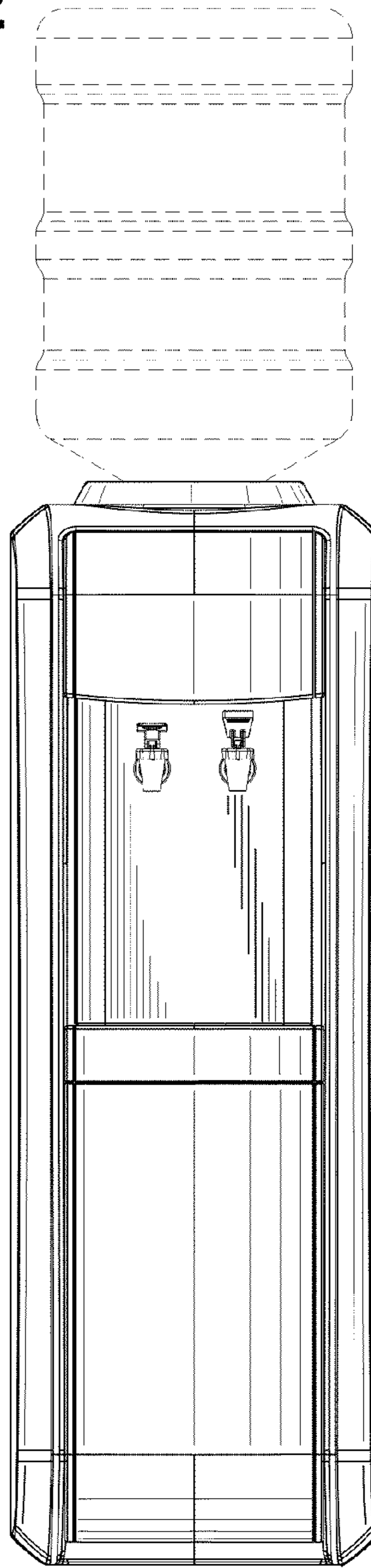


Fig. 3

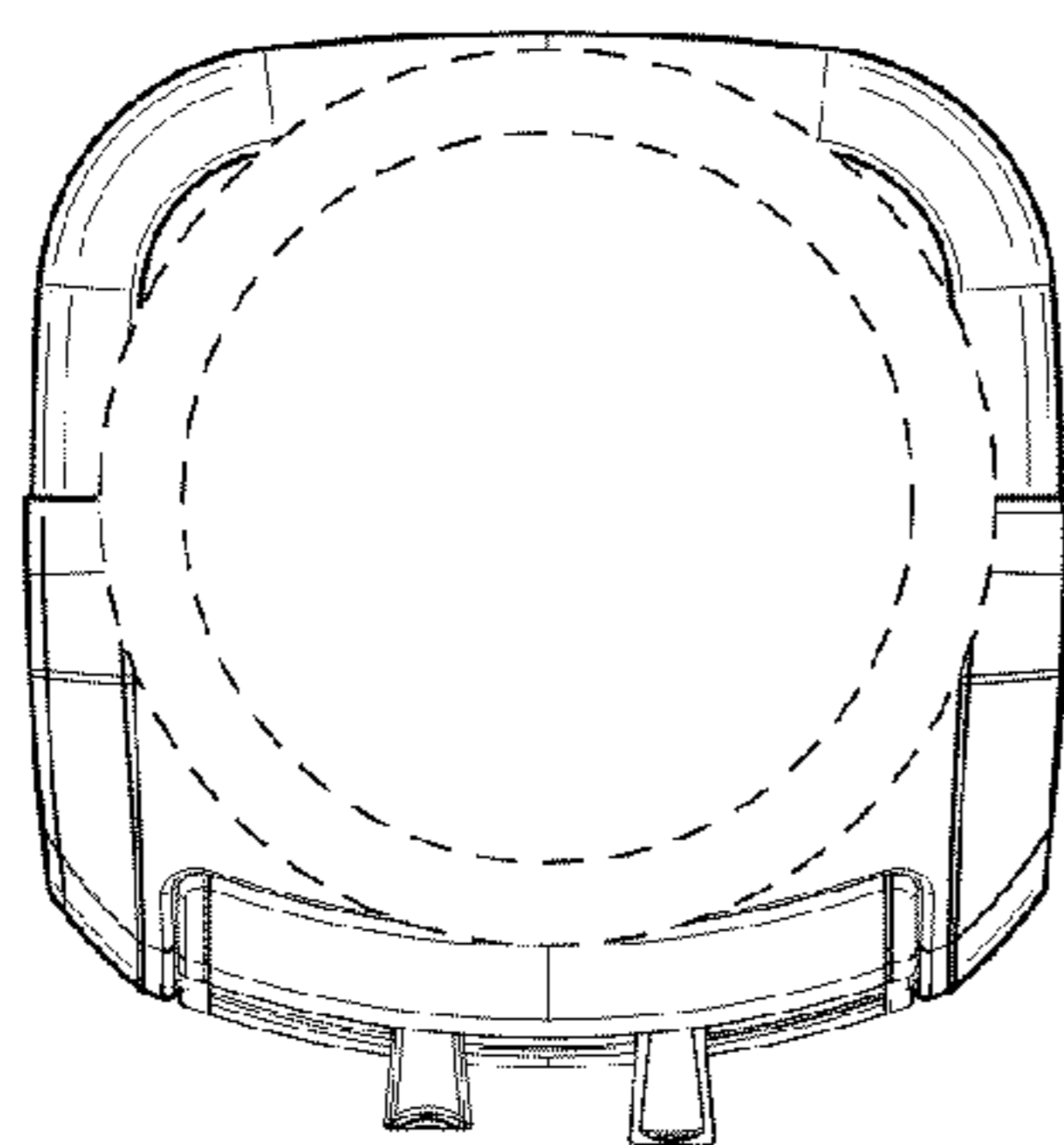


Fig. 4

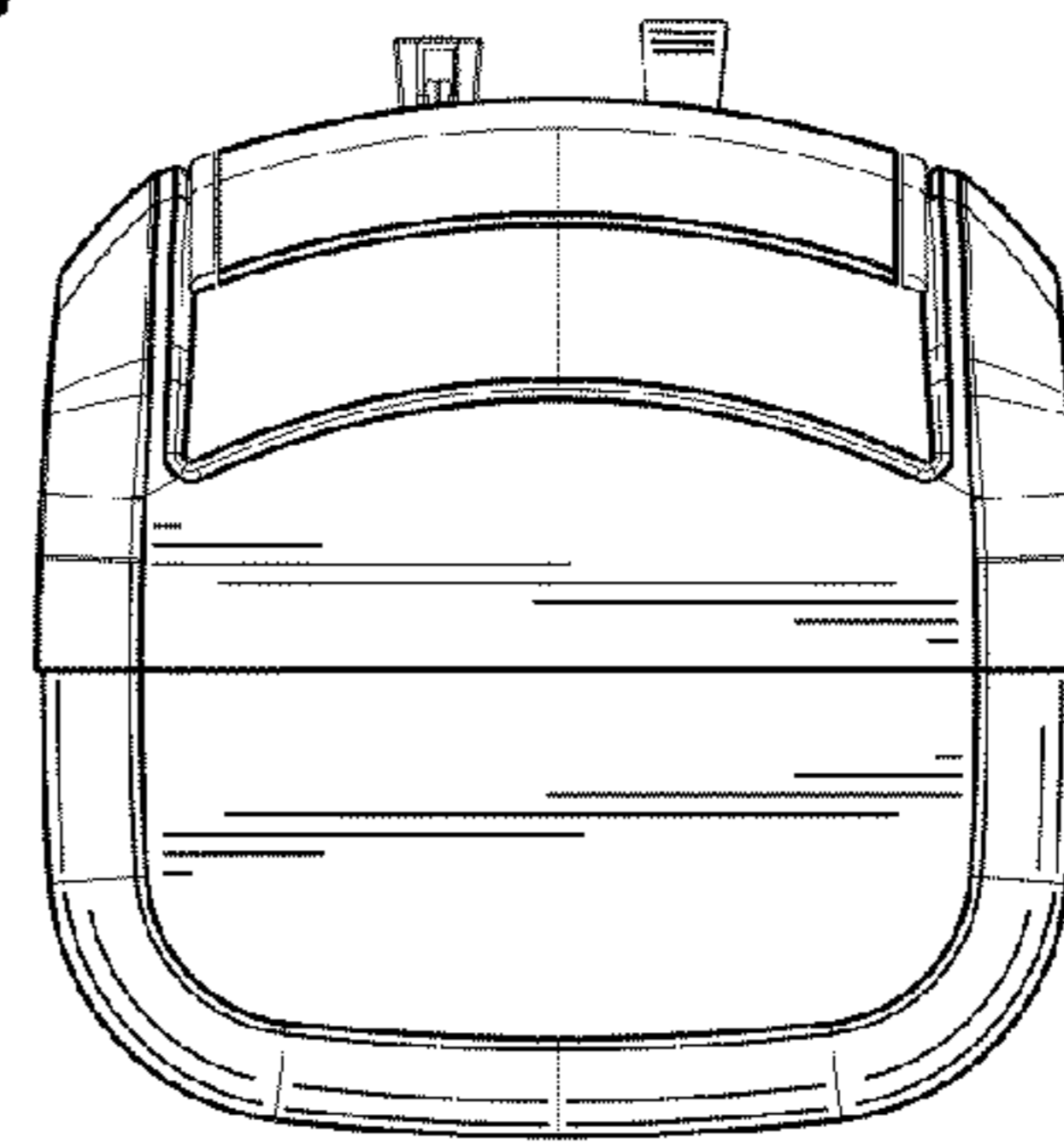


Fig. 5

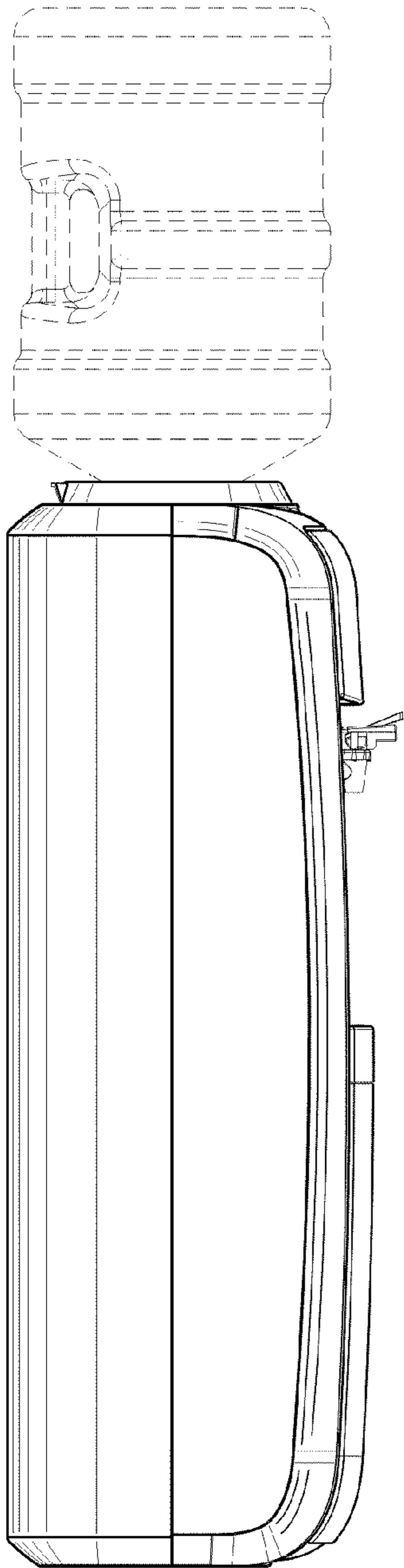


Fig. 6

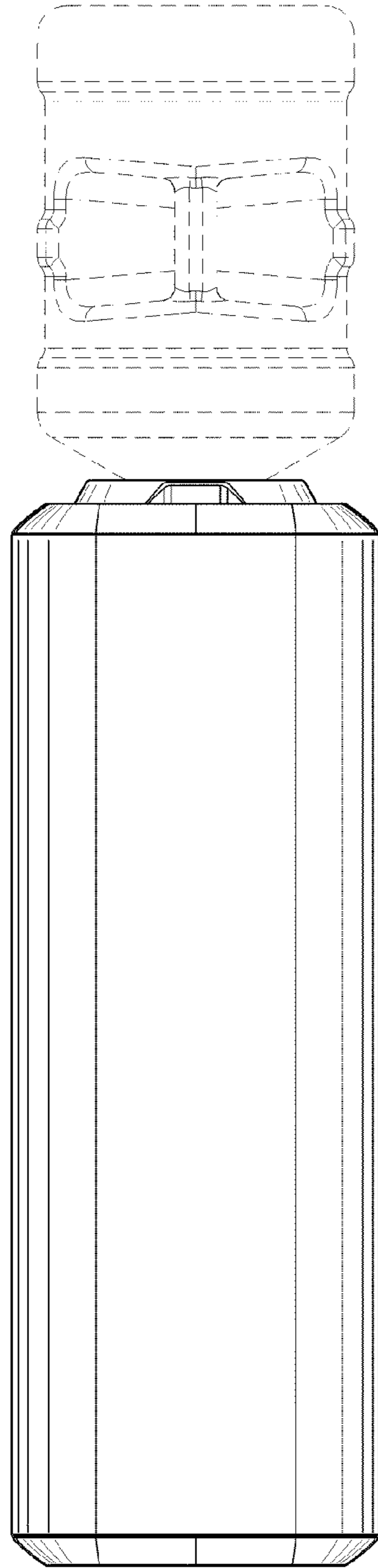


Fig. 7

