



US00D635811S

(12) **United States Design Patent**
Leung

(10) **Patent No.:** **US D635,811 S**
(45) **Date of Patent:** **** Apr. 12, 2011**

(54) **MICROWAVE OVEN RADIATION PROTECTION COVER**

2008/0185083 A1* 8/2008 Balbosa 150/154
2008/0196804 A1* 8/2008 Hsu 150/165
2010/0288405 A1* 11/2010 Hsu 150/165

(76) Inventor: **Klara Duc Yung Leung**, Taipei (TW)

* cited by examiner

(**) Term: **14 Years**

Primary Examiner — Caron Veynar

(21) Appl. No.: **29/367,522**

Assistant Examiner — Katrina A Kile

(22) Filed: **Aug. 9, 2010**

(74) *Attorney, Agent, or Firm* — Chun-Ming Shih

(51) **LOC (9) Cl.** **06-13**

(52) **U.S. Cl.** **D6/610**

(58) **Field of Classification Search** D6/610-611,
D6/596, 601, 602, 603, 617; D12/401-405;
135/87, 88.01, 95; 150/165-167, 158, 154;
280/770; 296/136.01, 136.1, 136.11

See application file for complete search history.

(57) **CLAIM**

The ornamental design for a microwave oven radiation protection cover, as shown and described.

DESCRIPTION

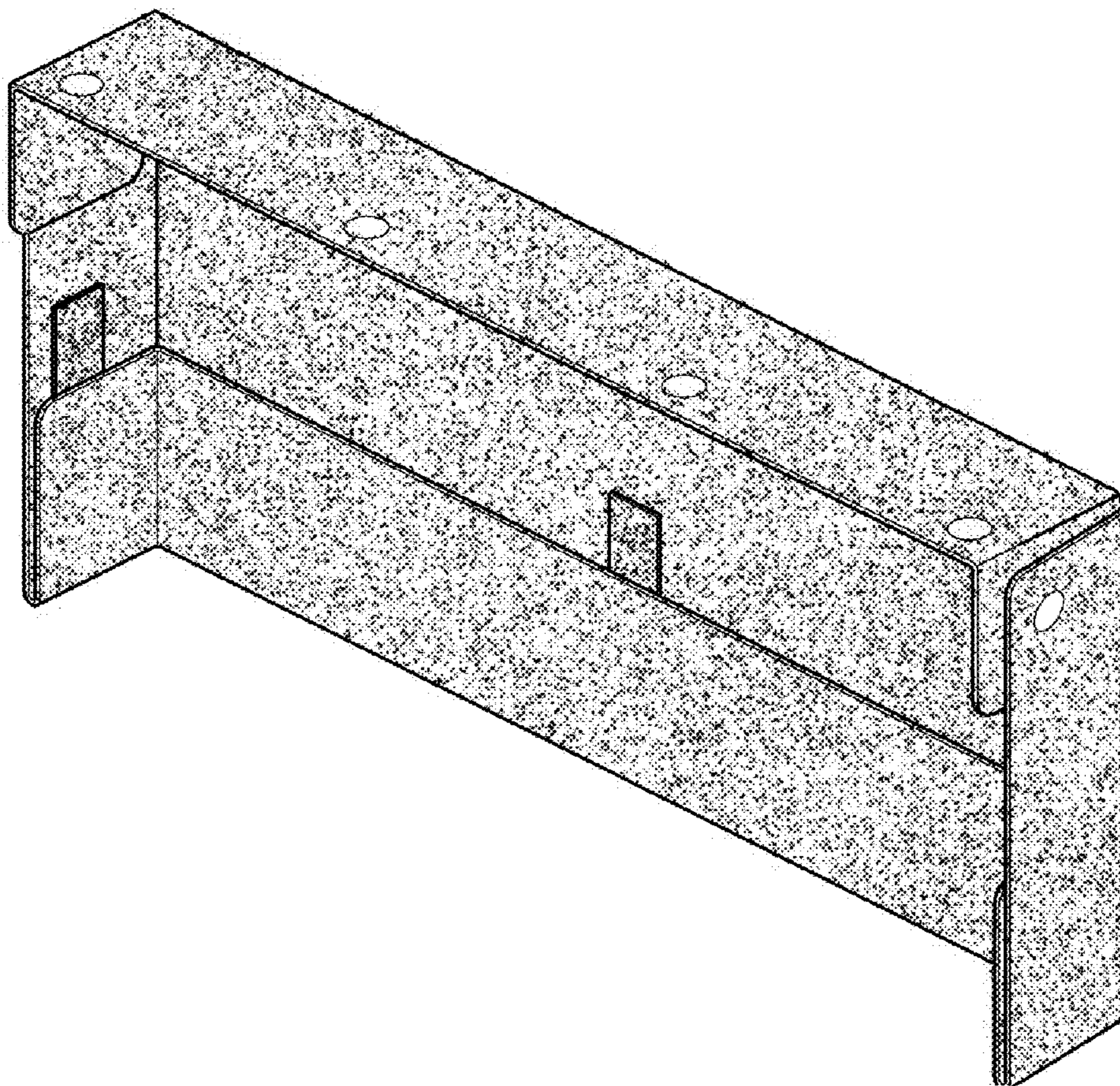
FIG. 1 is a front right perspective view of a microwave oven radiation protection cover showing my new design; FIG. 2 is a front perspective view thereof; FIG. 3 is a rear perspective view thereof; FIG. 4 is a left side elevation view thereof; FIG. 5 is a right side elevation view thereof; FIG. 6 is a top plan view thereof; FIG. 7 is a bottom plan view thereof; and, FIG. 8 is a usage status reference view thereof.

(56) **References Cited**

U.S. PATENT DOCUMENTS

D488,661 S * 4/2004 Barman D6/596
D595,524 S * 7/2009 Sammons D6/596
D623,459 S * 9/2010 Villalva D6/617
2003/0226846 A1* 12/2003 Horwath 220/287
2005/0179283 A1* 8/2005 Lin 296/136.01

1 Claim, 5 Drawing Sheets



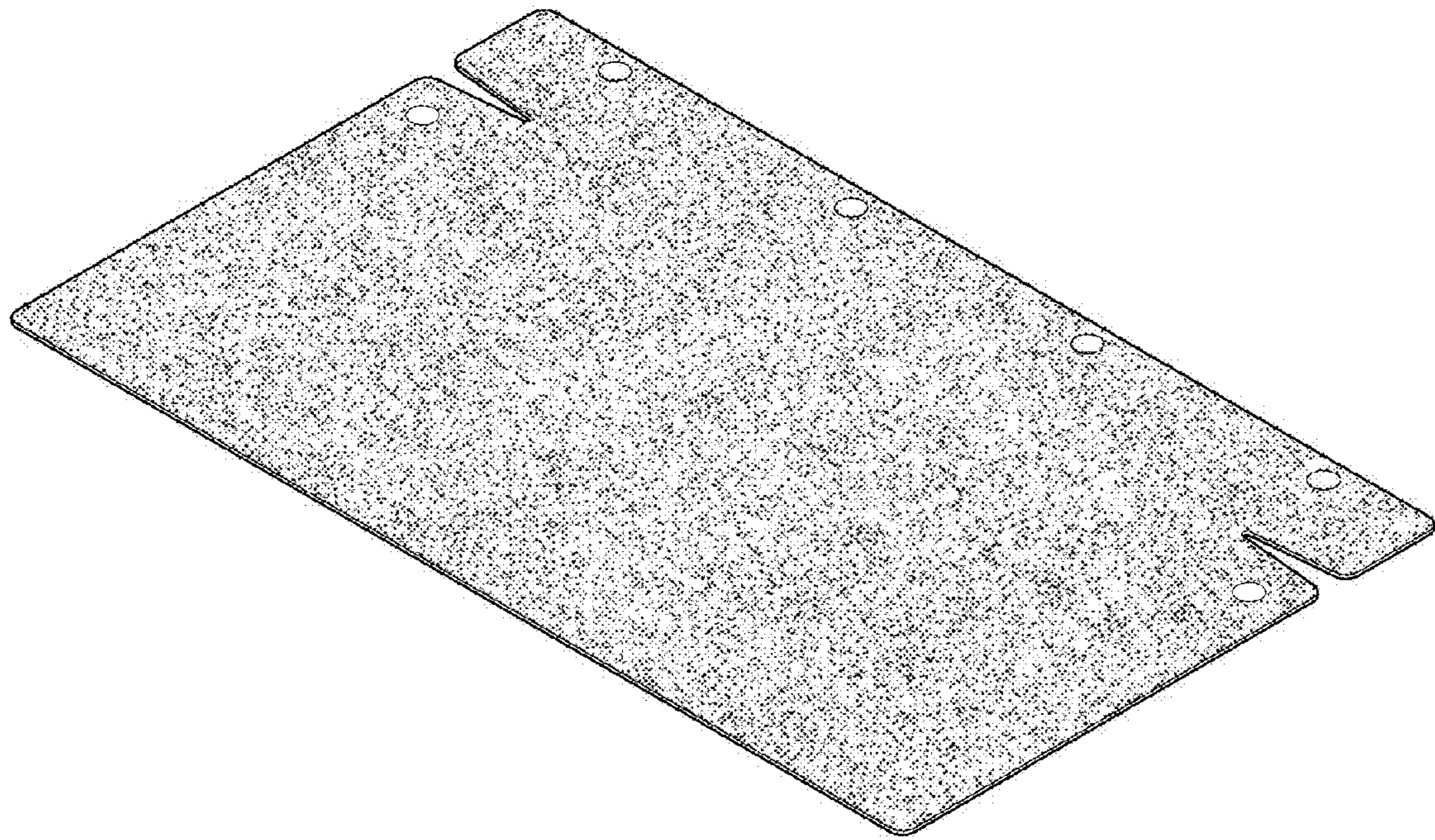


FIG. 1

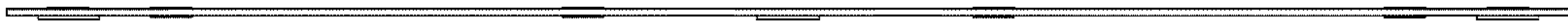


FIG. 2

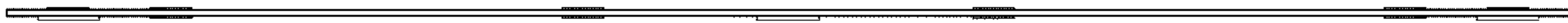


FIG. 3

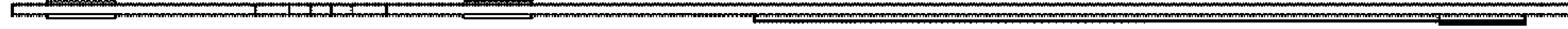


FIG. 4



FIG. 5

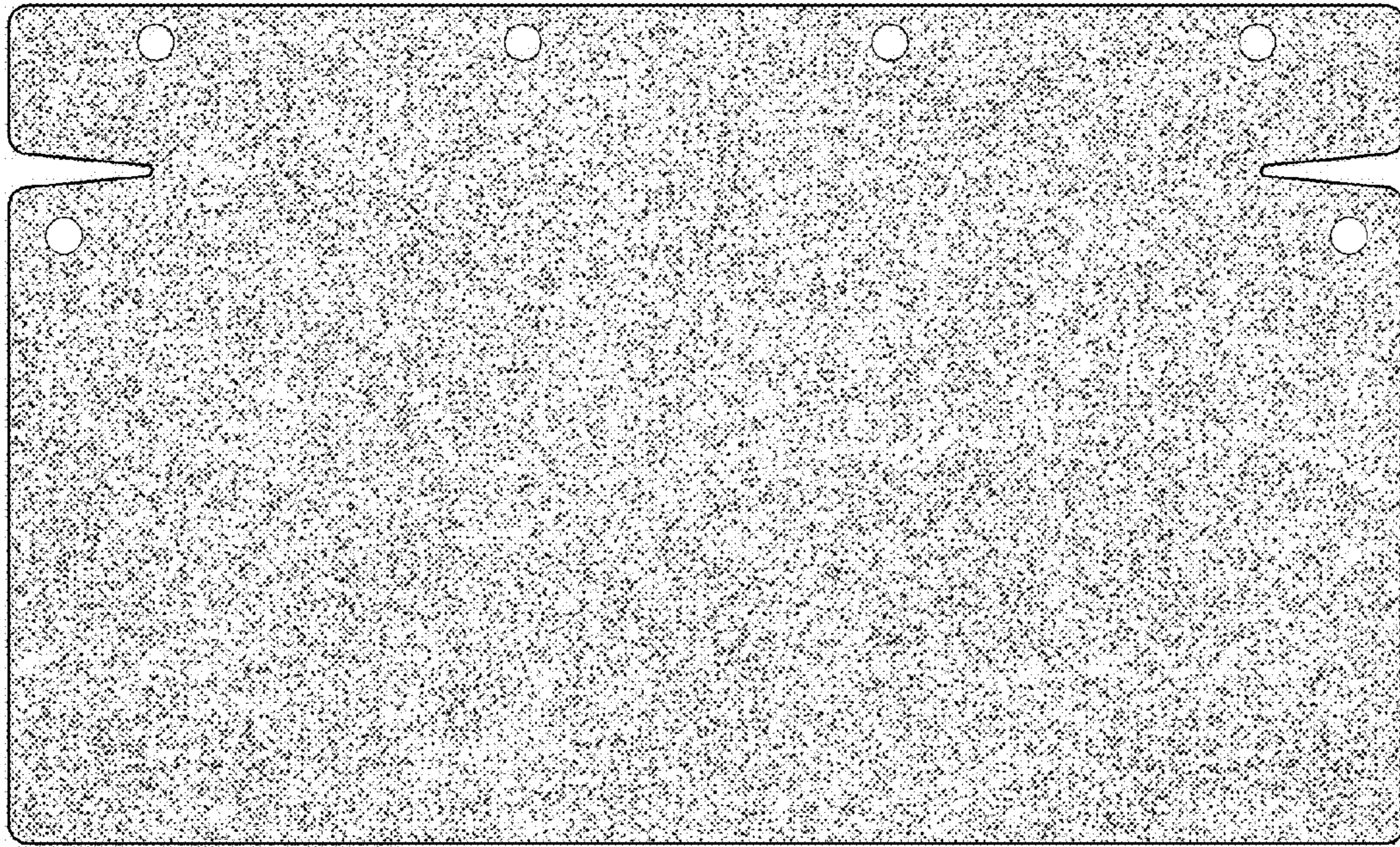


FIG. 6

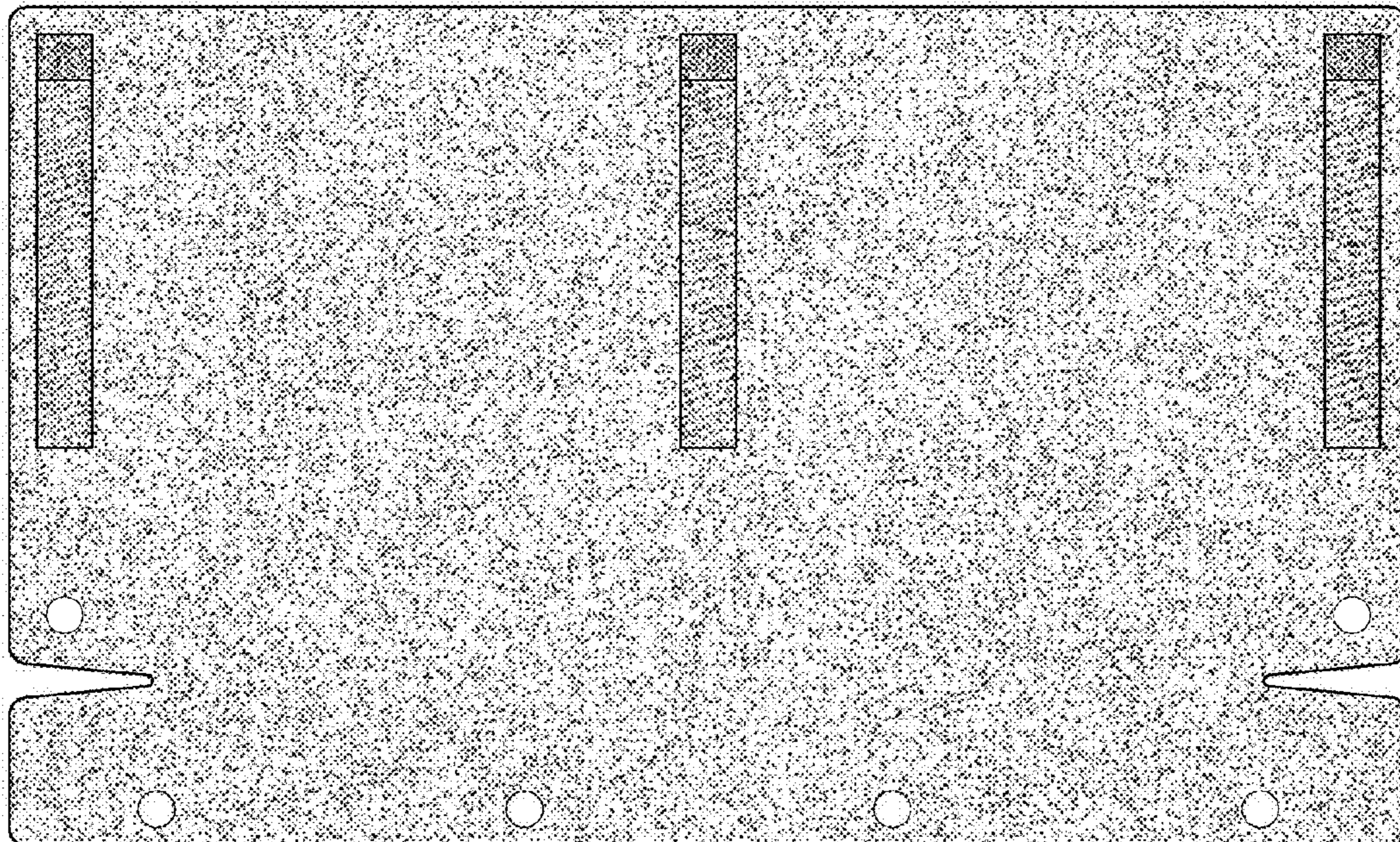


FIG. 7

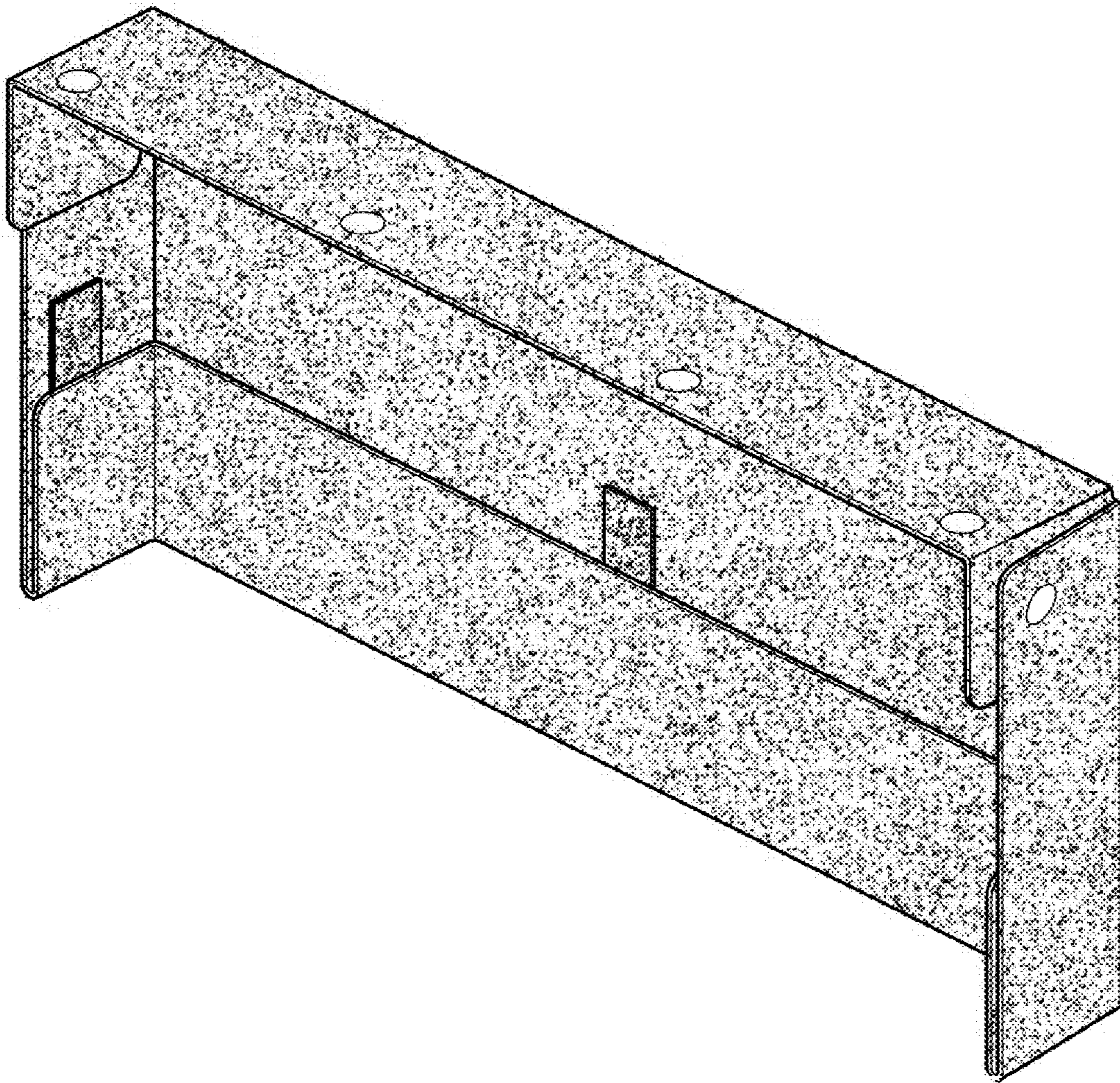


FIG. 8