



US00D635810S

(12) **United States Design Patent**
Boyer

(10) **Patent No.:** **US D635,810 S**

(45) **Date of Patent:** **** Apr. 12, 2011**

(54) **STORAGE RACK WITH A SINGLE PIVOTING PANEL**

(75) Inventor: **Michael C. Boyer**, Taylors Falls, MN
(US)

(73) Assignee: **Gear Grid Corporation**, Forest Lake,
MN (US)

(**) Term: **14 Years**

(21) Appl. No.: **29/349,662**

(22) Filed: **Apr. 20, 2010**

(51) **LOC (9) Cl.** **06-04**

(52) **U.S. Cl.** **D6/566**

(58) **Field of Classification Search** D6/512,
D6/553, 567, 569, 329, 396, 410, 429, 430,
D6/449, 471, 566; D8/349, 354, 355, 373;
312/310, 245, 223.5; 211/13.1, 32, 35, 86.01,
211/87.01, 85.2, 96, 97; 206/564, 566, 315.11,
206/472, 495, 748

See application file for complete search history.

(56) **References Cited**

U.S. PATENT DOCUMENTS

4,209,212	A *	6/1980	McGoldrick	312/245
4,420,084	A *	12/1983	Whelan	211/85.2
4,848,585	A *	7/1989	Snyder	206/566
5,087,105	A *	2/1992	White	312/245
D405,306	S *	2/1999	Wilkening et al.	D6/553
D418,707	S *	1/2000	Loew	D6/553

* cited by examiner

Primary Examiner — Brian N Vinson

(74) *Attorney, Agent, or Firm* — Moss & Barnett

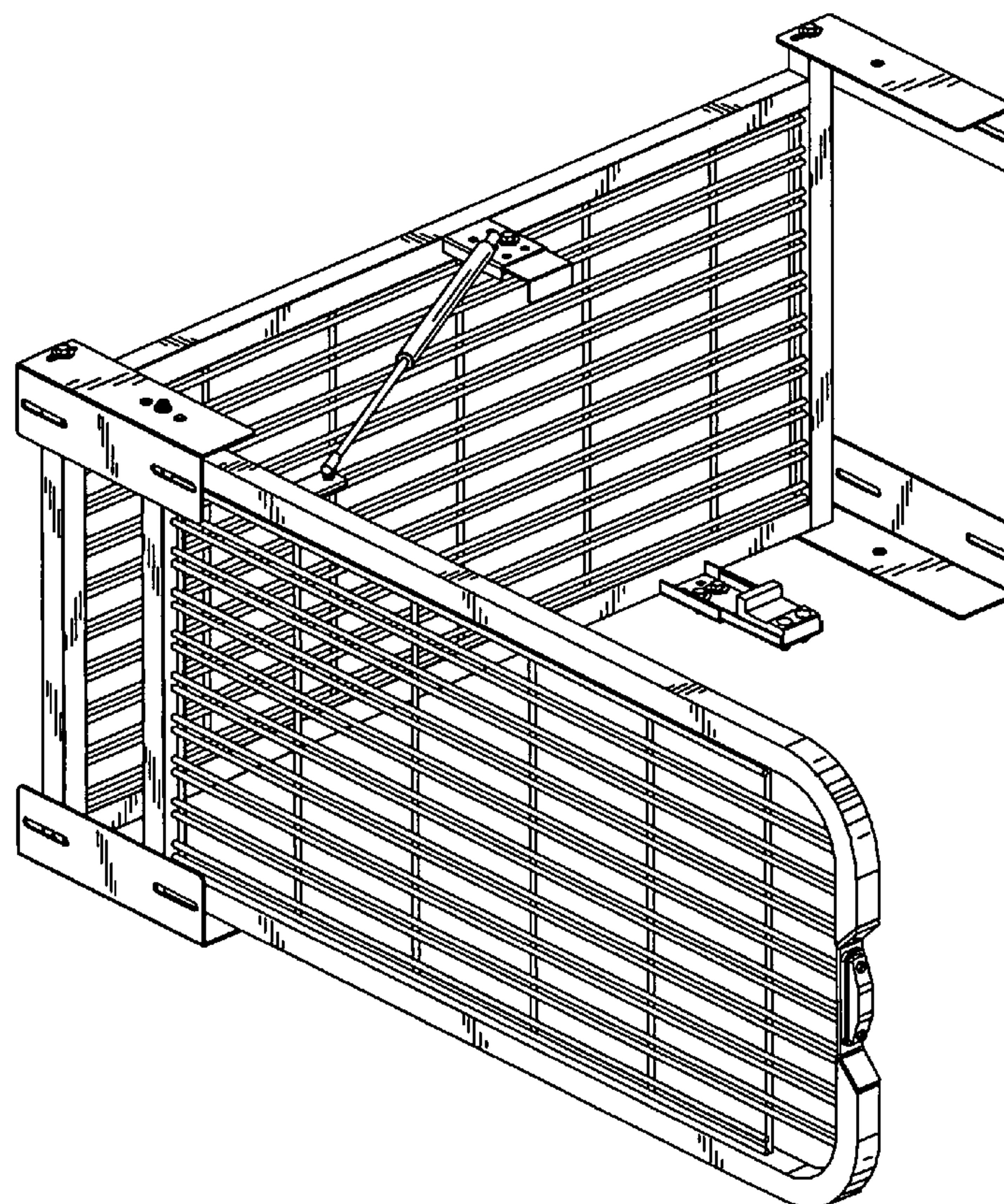
(57) **CLAIM**

The ornamental design for a storage rack with a single pivoting panel, as shown and described.

DESCRIPTION

FIG. 1 is a top, front, and left side perspective view of a storage rack with a single pivoting panel showing my new design;
FIG. 2 is a top, front, and right side perspective view thereof;
FIG. 3 is a front elevational view thereof;
FIG. 4 is a rear elevational view thereof;
FIG. 5 is a right side elevational view thereof;
FIG. 6 is a left side elevational view thereof;
FIG. 7 is a top plan view thereof; and,
FIG. 8 is a bottom plan view thereof.

1 Claim, 8 Drawing Sheets



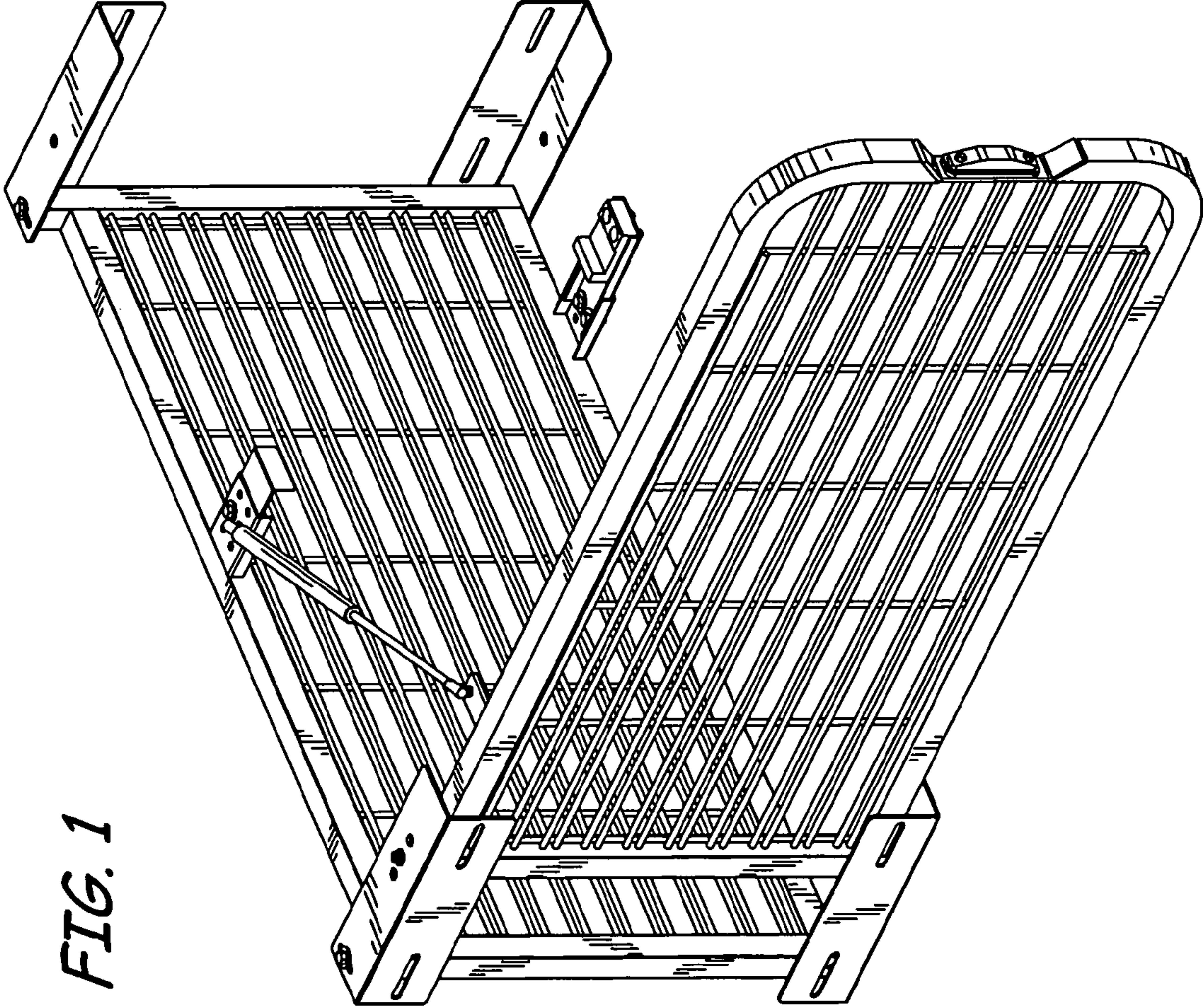


FIG. 1

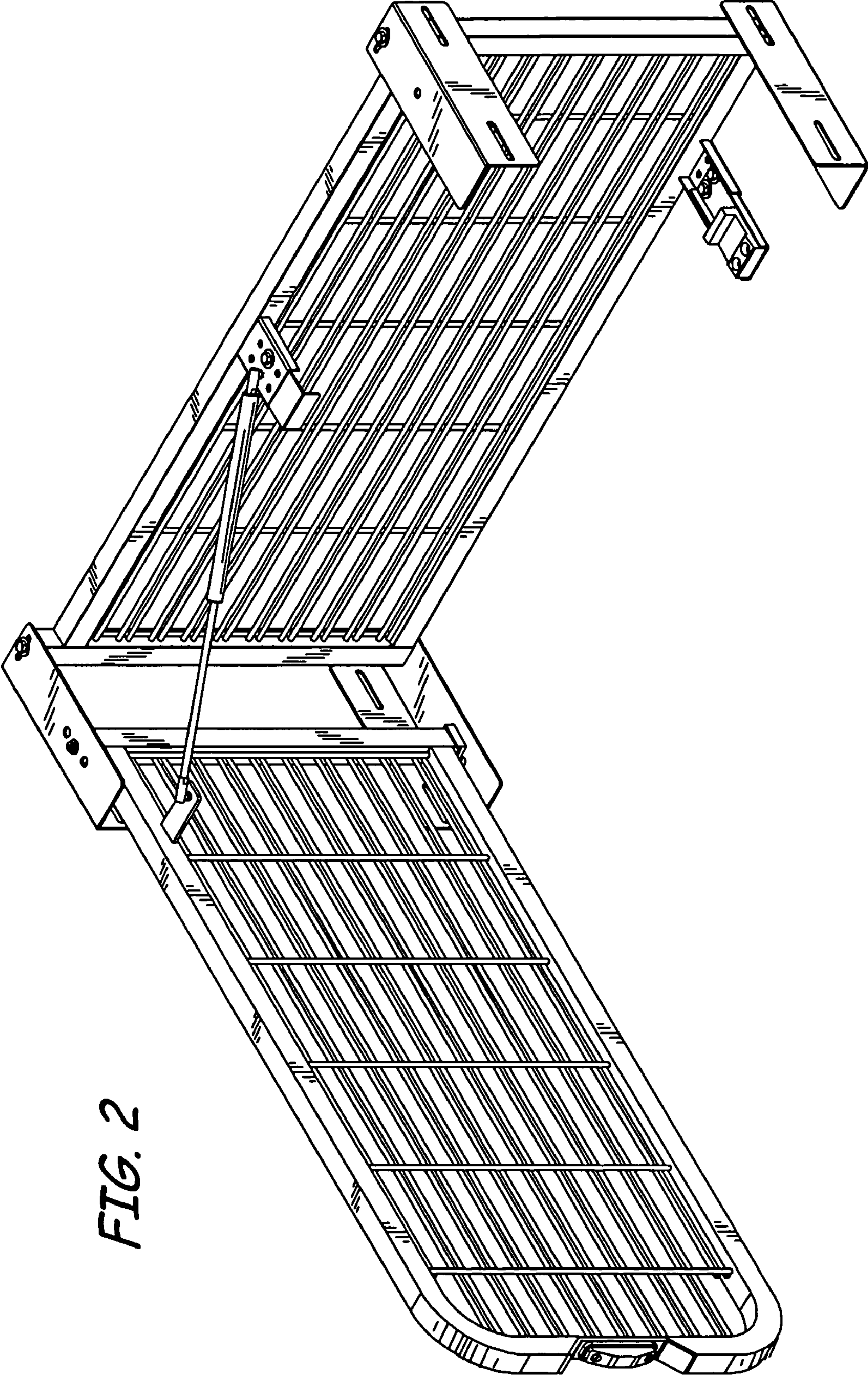


FIG. 2

FIG. 3

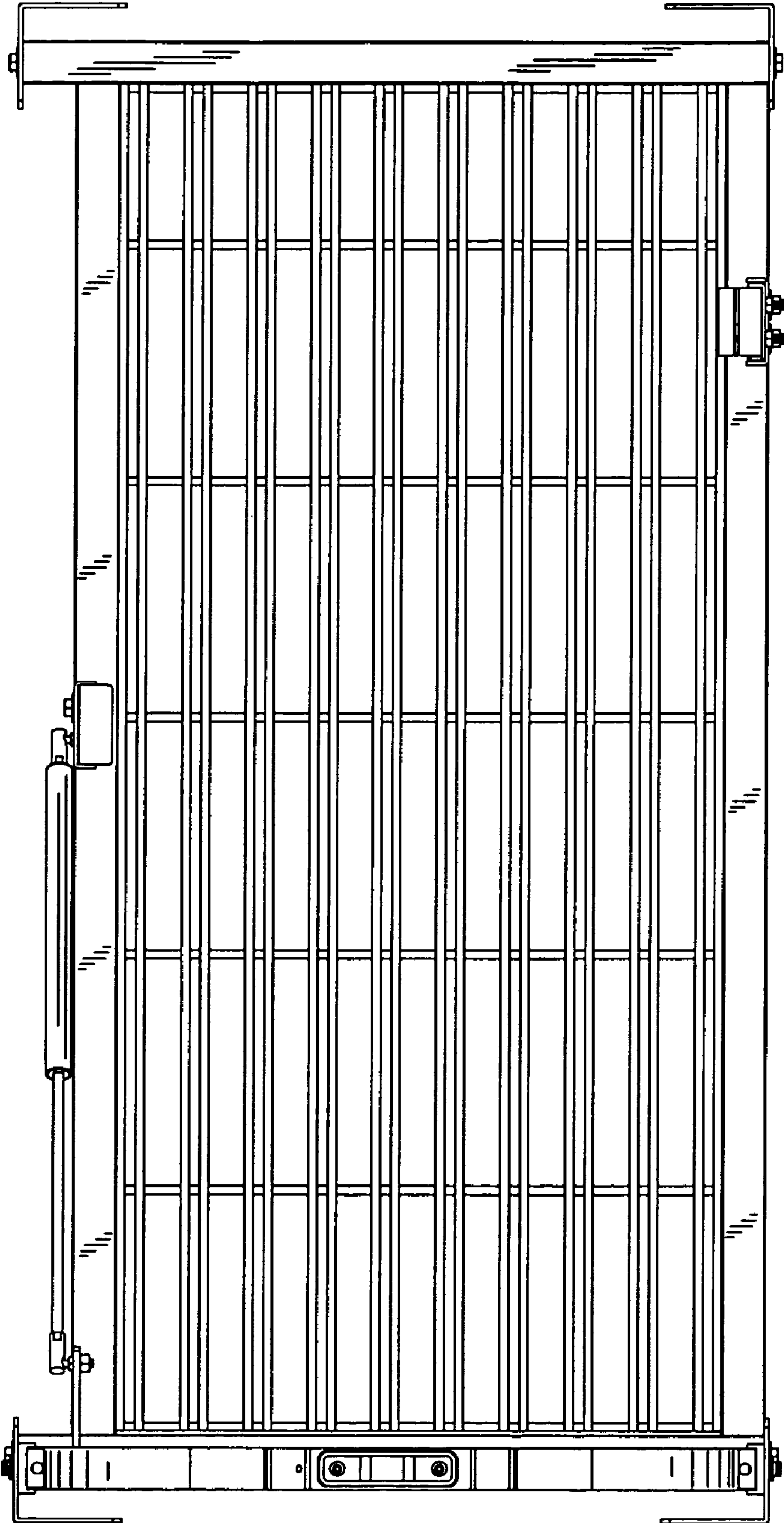


FIG. 4

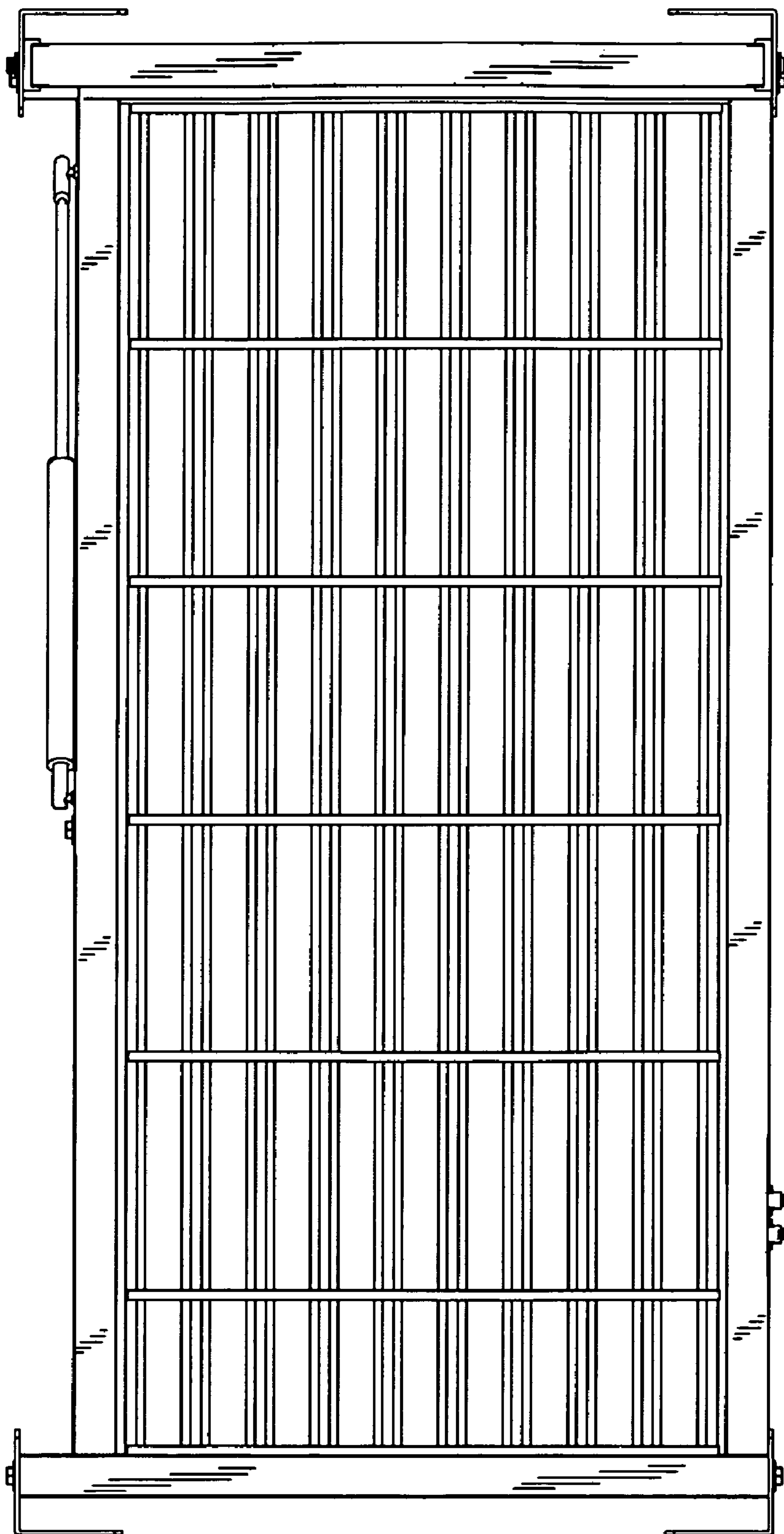


FIG. 5

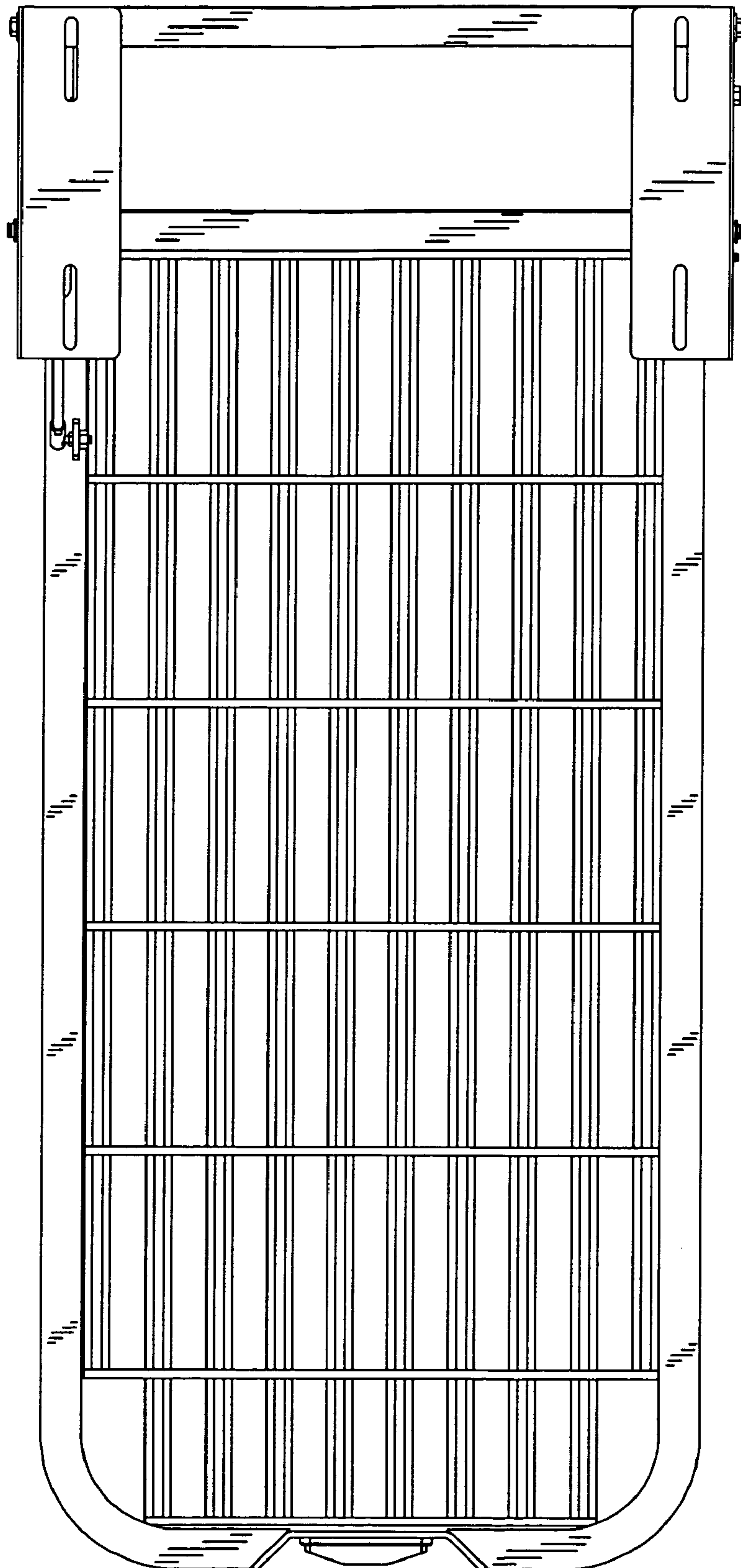
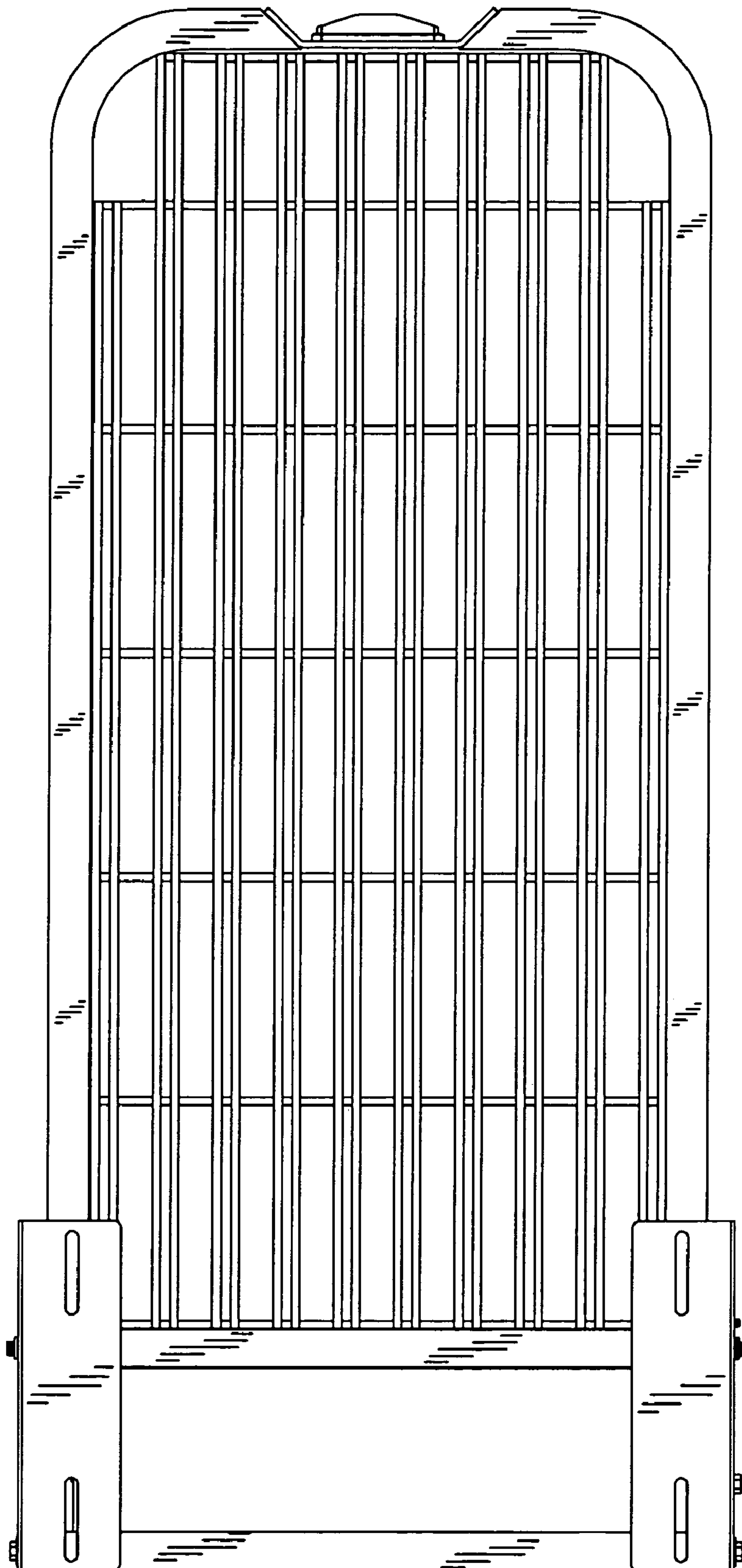


FIG. 6



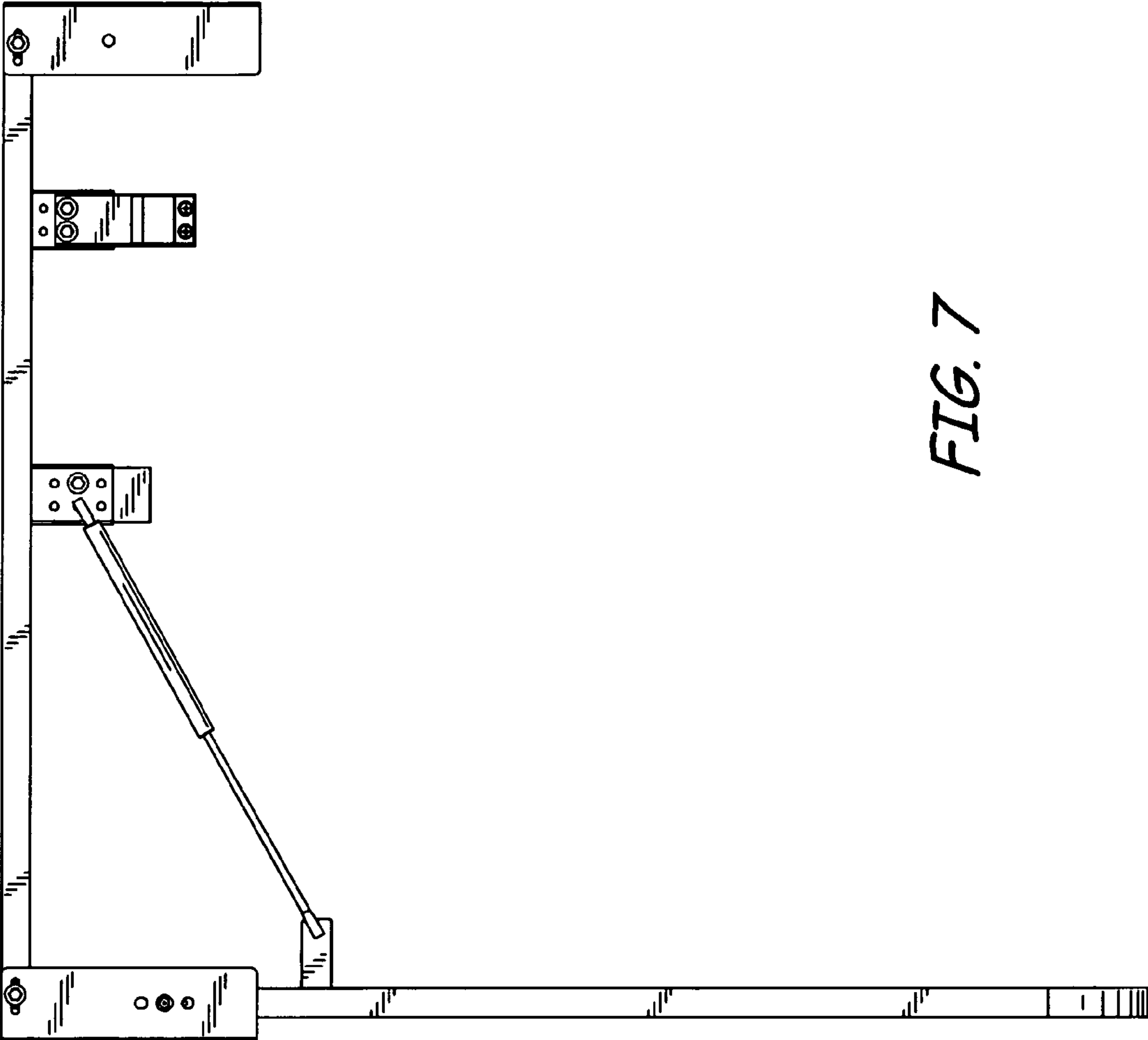


FIG. 7

FIG. 8

