



US00D635809S

(12) **United States Design Patent**
O'Brien et al.

(10) **Patent No.:** **US D635,809 S**
(45) **Date of Patent:** **** Apr. 12, 2011**

(54) **COMBINATION CORNER SHELF AND GRAB BAR**

(76) Inventors: **John L. O'Brien**, Ottawa (CA); **Donald Andrew Nelson Ed**, Ottawa (CA); **Edward Thomas**, Russell (CA); **Sunil Achia**, Ottawa (CA)

(**) Term: **14 Years**

(21) Appl. No.: **29/371,081**

(22) Filed: **Oct. 13, 2010**

Related U.S. Application Data

(63) Continuation-in-part of application No. 29/347,179, filed on Oct. 19, 2009.

(51) **LOC (9) Cl.** **06-04**

(52) **U.S. Cl.** **D6/562; D6/527**

(58) **Field of Classification Search** D6/524, D6/562, 546-550, 527, 532-53, 535; D8/300, D8/315-320; D23/271, 303, 304; 211/13.1, 211/71.01, 86.01, 87.01, 88.01, 88.04, 90.01, 211/123, 126.1, 133.1, 134; 248/220.1, 235, 248/251, 309.1

See application file for complete search history.

(56) **References Cited**

U.S. PATENT DOCUMENTS

D97,514 S *	11/1935	Vail	D6/533
D274,486 S *	7/1984	Thompson	D6/525
D364,527 S *	11/1995	Moon	D6/574
D399,296 S *	10/1998	Joss	D23/304
D475,561 S *	6/2003	Suero, Jr.	D6/525
D603,638 S *	11/2009	Murphy	D6/562

* cited by examiner

Primary Examiner — Brian N Vinson

(57) **CLAIM**

An ornamental design for a combination corner shelf and grab bar, as shown and described.

DESCRIPTION

FIG. 1 is an exploded perspective view of the combined corner shelf and grab bar showing our new design, shown with removable shelf and grab bar separated; FIG. 2 is a perspective view of the combined corner shelf and grab bar showing our new design, shown with removable shelf on the bracket of the grab bar; FIG. 3 is a top plan view thereof; FIG. 4 is a front elevation view thereof; FIG. 5 is a bottom plan view thereof; FIG. 6 is a rear elevation view thereof; and, FIG. 7 right side plan view thereof, the left side being a mirror image of that show.

1 Claim, 2 Drawing Sheets

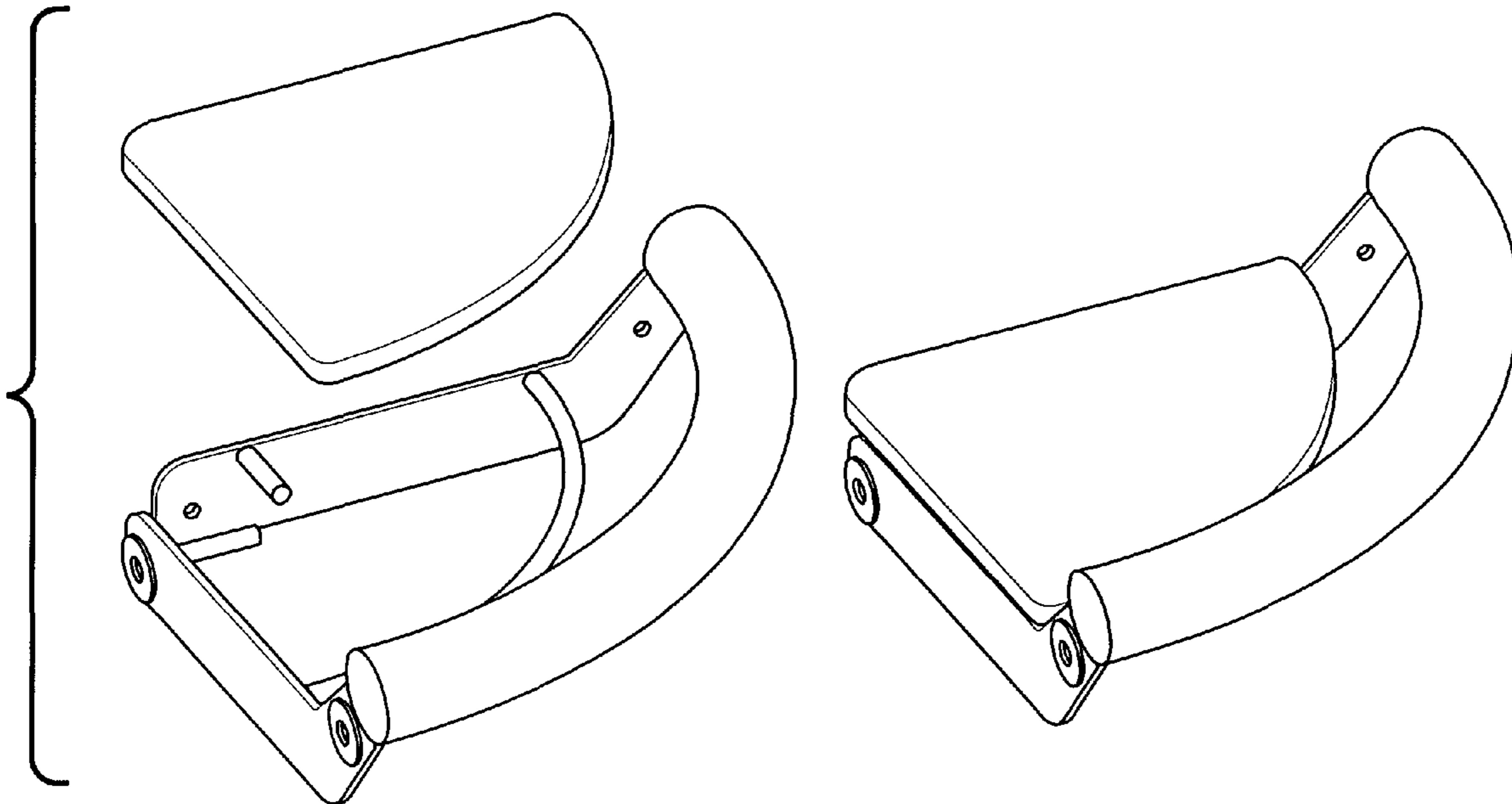


FIG. 1

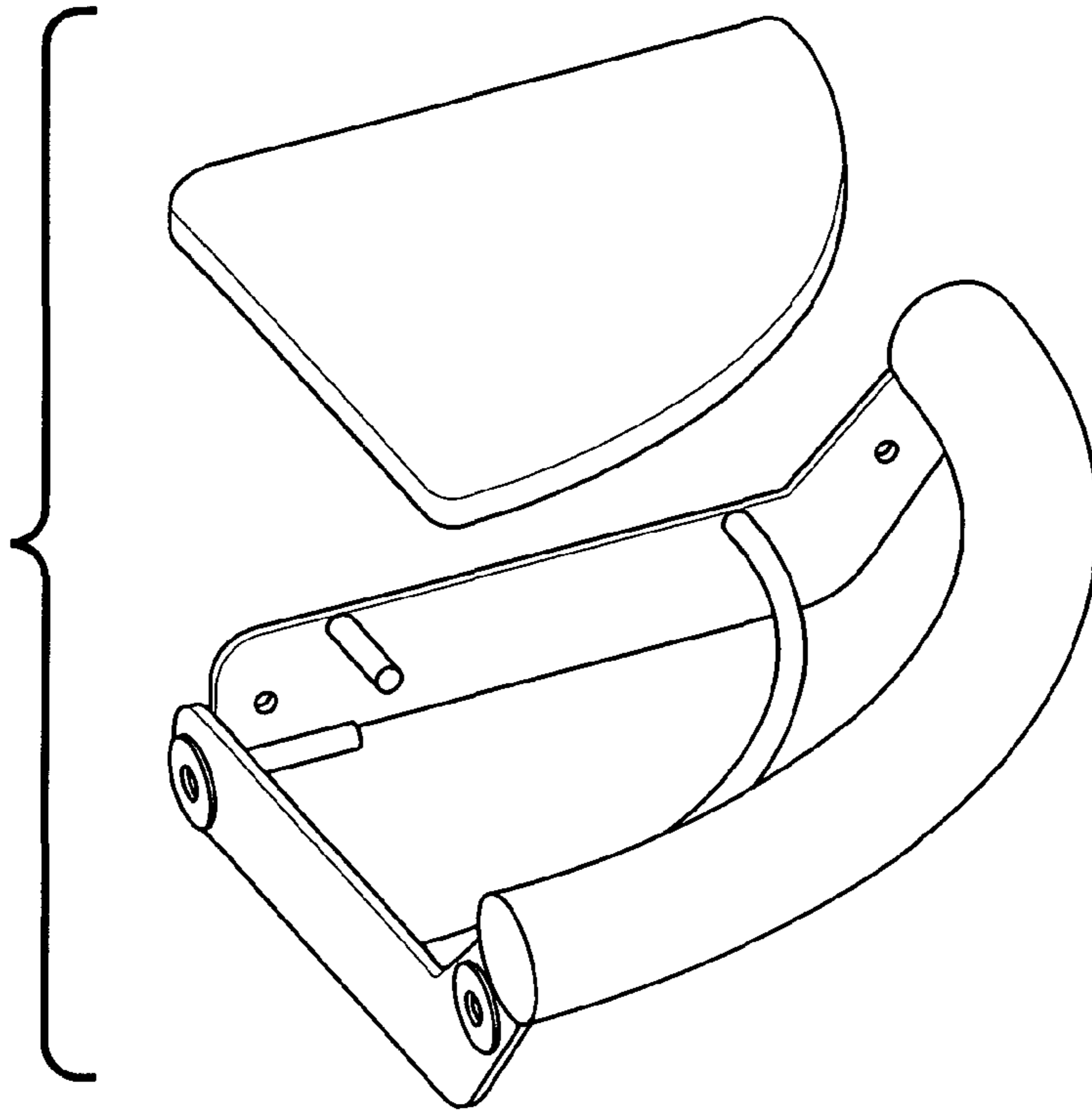


FIG. 2

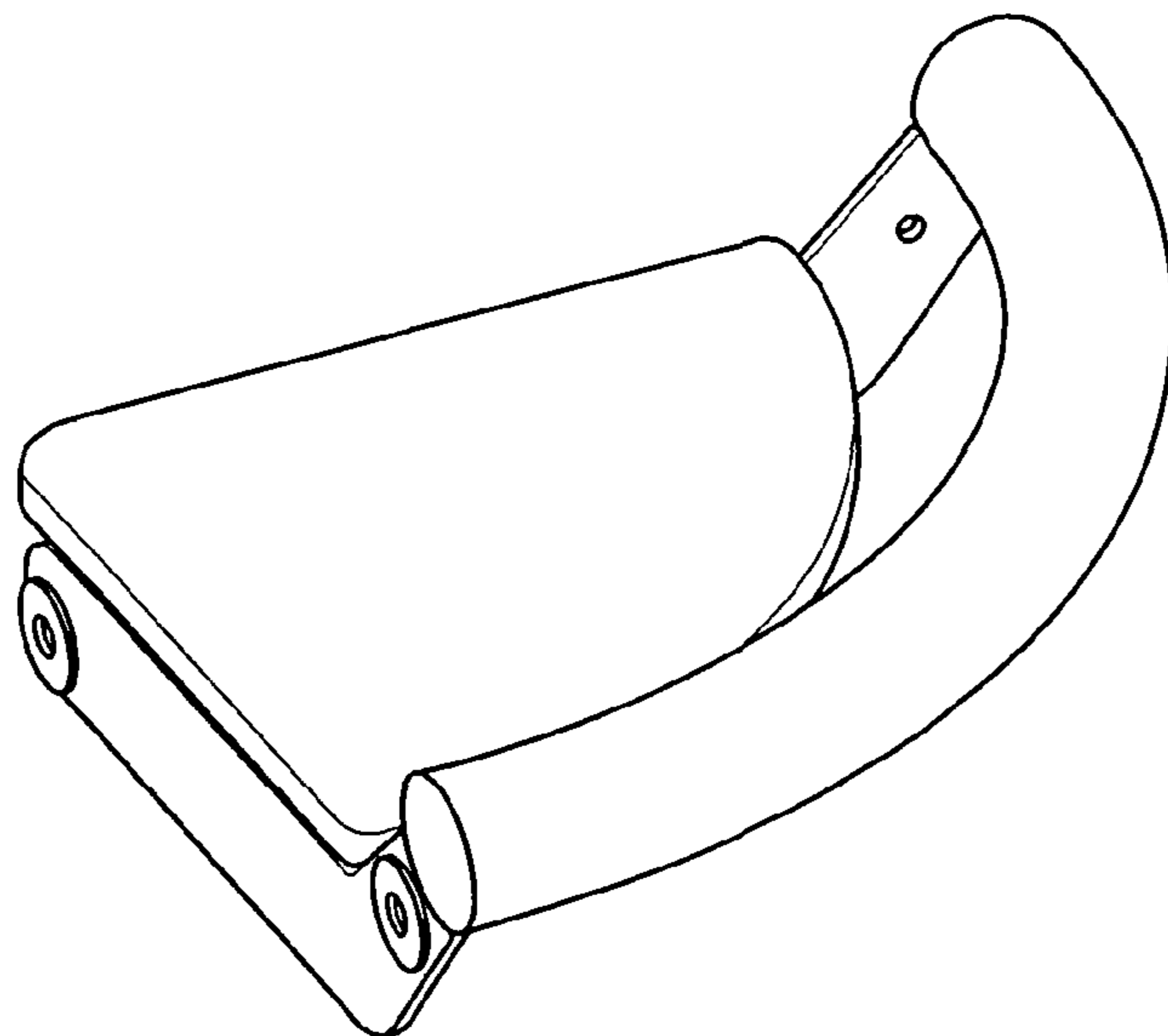


FIG. 3

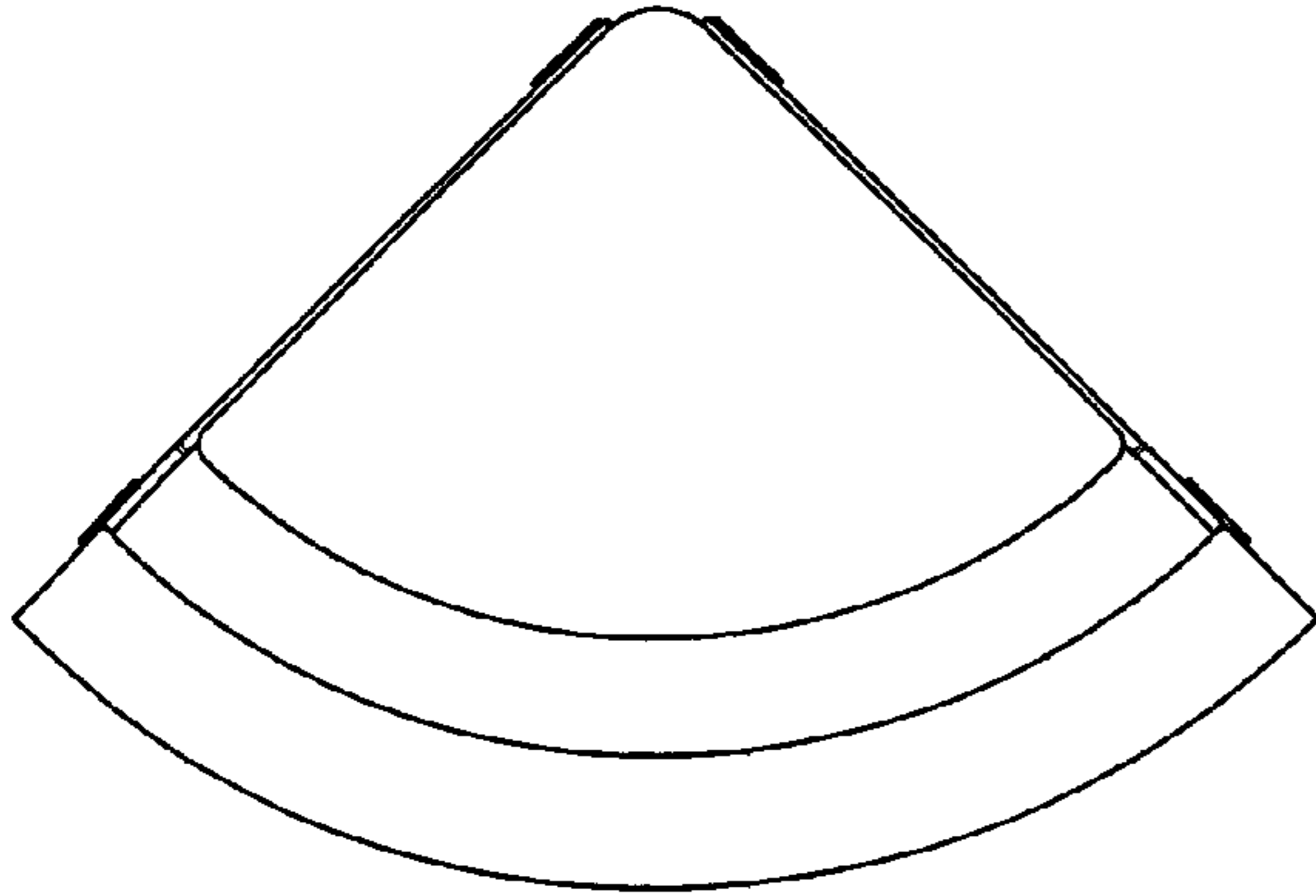


FIG. 4

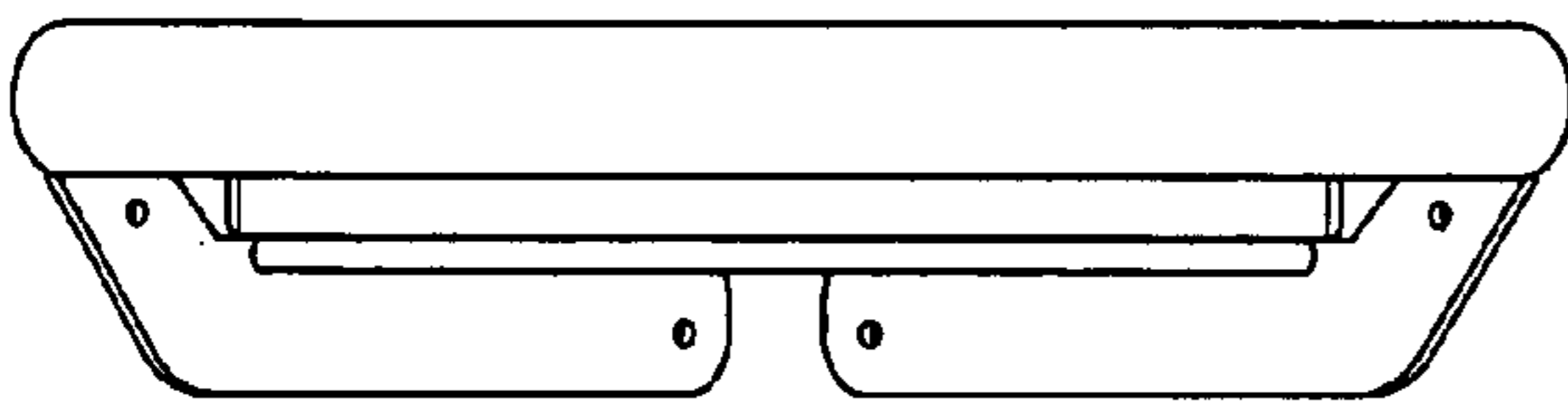


FIG. 7

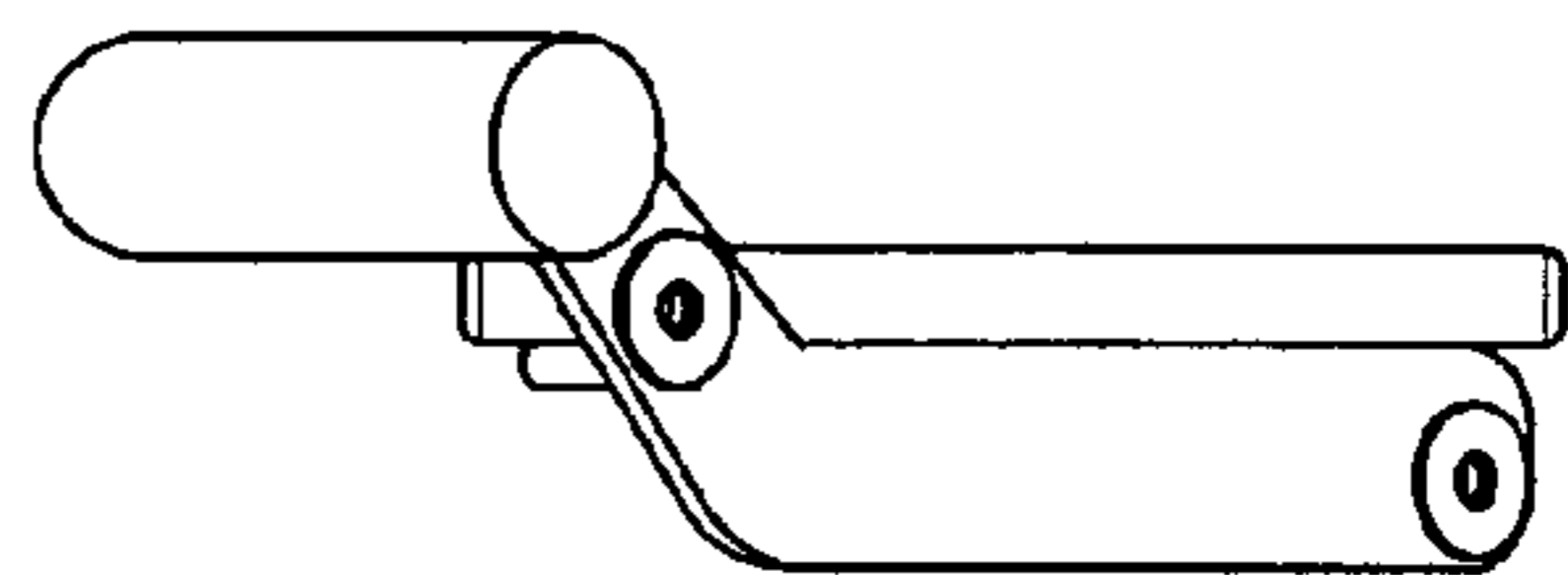


FIG. 5

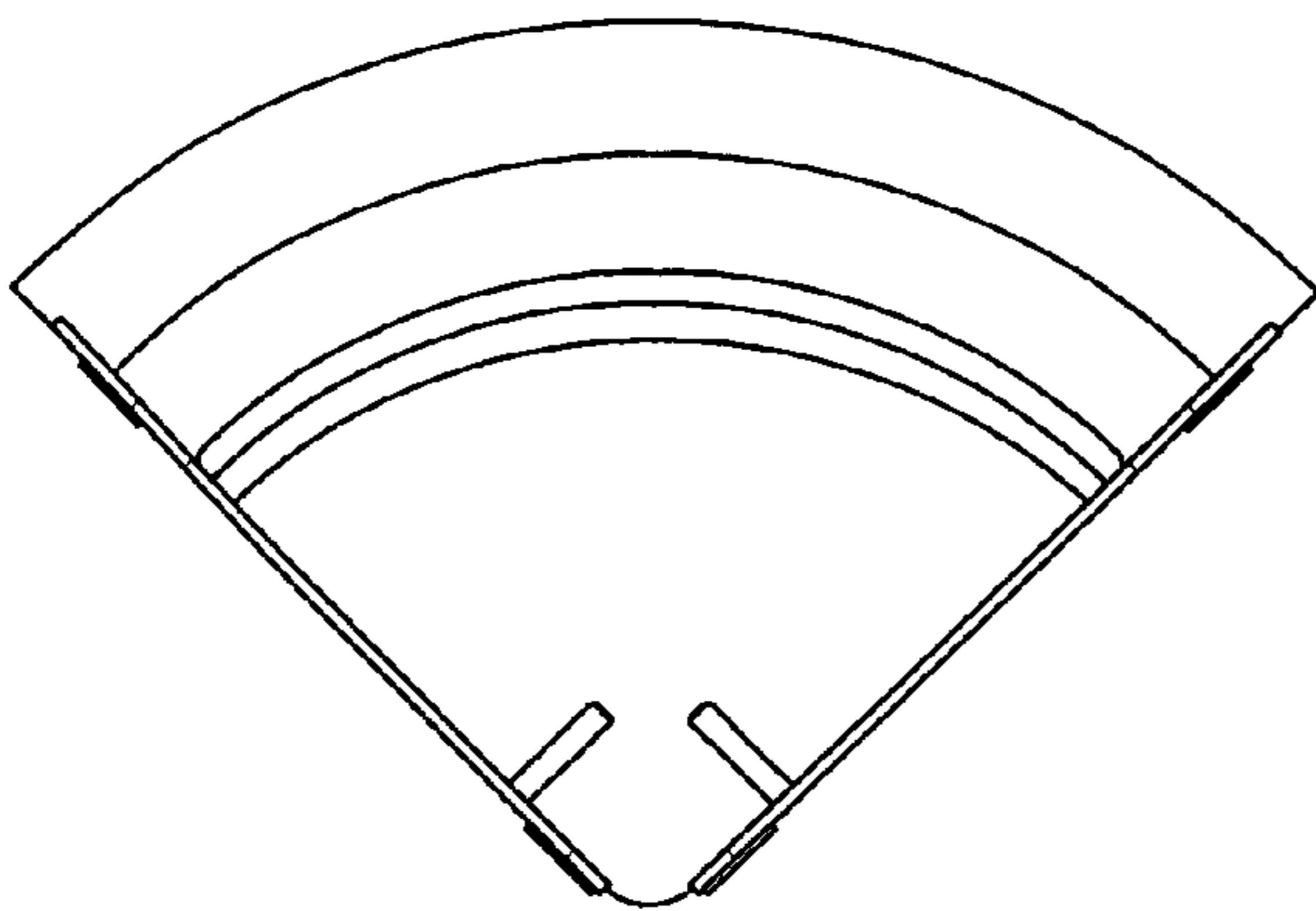


FIG. 6

