



US00D635807S

(12) **United States Design Patent**
Lindo

(10) **Patent No.:** **US D635,807 S**

(45) **Date of Patent:** **** Apr. 12, 2011**

(54) **SHOWER POLE CADDY**

(75) Inventor: **Benjamin G. Lindo**, Philadelphia, PA
(US)

(73) Assignee: **Zenith Products Corp.**, New Castle, DE
(US)

(**) Term: **14 Years**

(21) Appl. No.: **29/368,347**

(22) Filed: **Aug. 23, 2010**

(51) **LOC (9) Cl.** **23-02**

(52) **U.S. Cl.** **D6/525**

(58) **Field of Classification Search** D6/524,
D6/525, 566, 536, 540; 211/13.1, 74, 71.01,
211/86.01, 75, 88.01, 90.01, 90.03, 106,
211/119, 126.1, 133.5, 181.1, 134
See application file for complete search history.

(56) **References Cited**

U.S. PATENT DOCUMENTS

D417,991 S	*	12/1999	Hofman et al.	D6/525
D421,692 S	*	3/2000	Wojtowicz et al.	D6/525
D421,867 S	*	3/2000	Carville et al.	D6/562
D443,162 S	*	6/2001	Winter	D6/570
D462,552 S	*	9/2002	Emery et al.	D6/525
D566,991 S		4/2008	Harwanko		

OTHER PUBLICATIONS

http://www.bedbathandbeyond.com/product.asp?order_num=1&SKU=14943021; web page printout date: Sep. 24, 2010; original web posting date and product availability date: unknown.

<http://www.walmart.com/ip/Bath-Tension-Pole-Caddy-Chrome/10847075?sourceid=15>; web page printout date: Sep. 24, 2010; original web posting date and product availability date: unknown.

* cited by examiner

Primary Examiner — Brian N Vinson

(74) *Attorney, Agent, or Firm* — Panitch Schwarze Belisario & Nadel LLP

(57) **CLAIM**

The ornamental design for a shower pole caddy.

DESCRIPTION

FIG. 1 is a front perspective view of a shower pole caddy showing my new design;

FIG. 2 is an enlarged partial front perspective view of an upper portion thereof;

FIG. 3 is an enlarged partial front perspective view of a lower portion thereof;

FIG. 4 is an enlarged partial front elevational view of the upper portion thereof;

FIG. 5 is an enlarged partial front elevational view of the lower portion thereof;

FIG. 6 is an enlarged partial rear elevational view of the upper portion thereof;

FIG. 7 is an enlarged partial rear elevational view of the lower portion thereof;

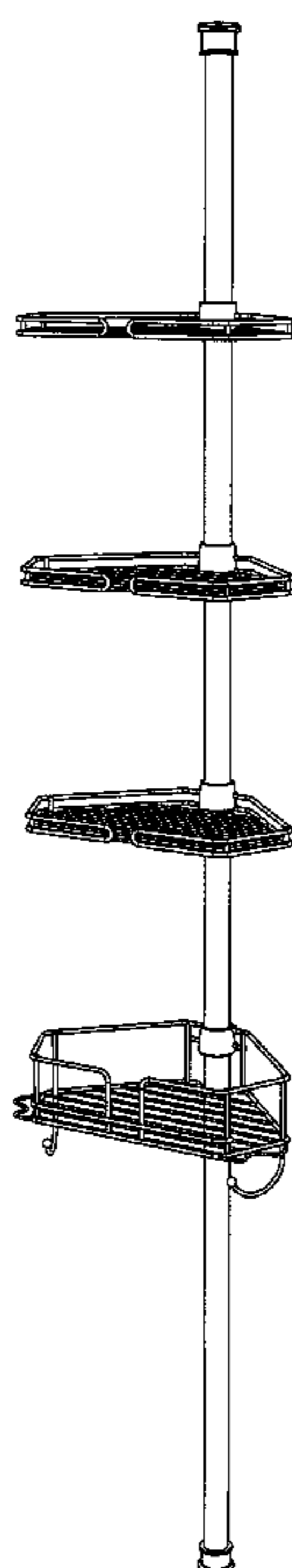
FIG. 8 is an enlarged partial left side elevational view of the upper portion thereof, the right side elevational view being a mirror image thereof;

FIG. 9 is an enlarged partial left side elevational view of the lower portion thereof, the right side elevational view being a mirror image thereof

FIG. 10 is an enlarged top plan view thereof; and,

FIG. 11 is an enlarged bottom plan view thereof.

1 Claim, 6 Drawing Sheets



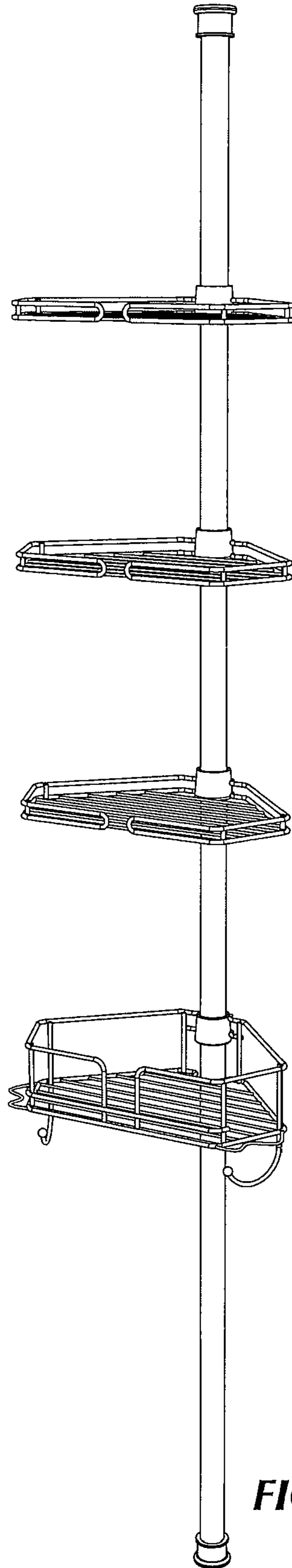


FIG. 1

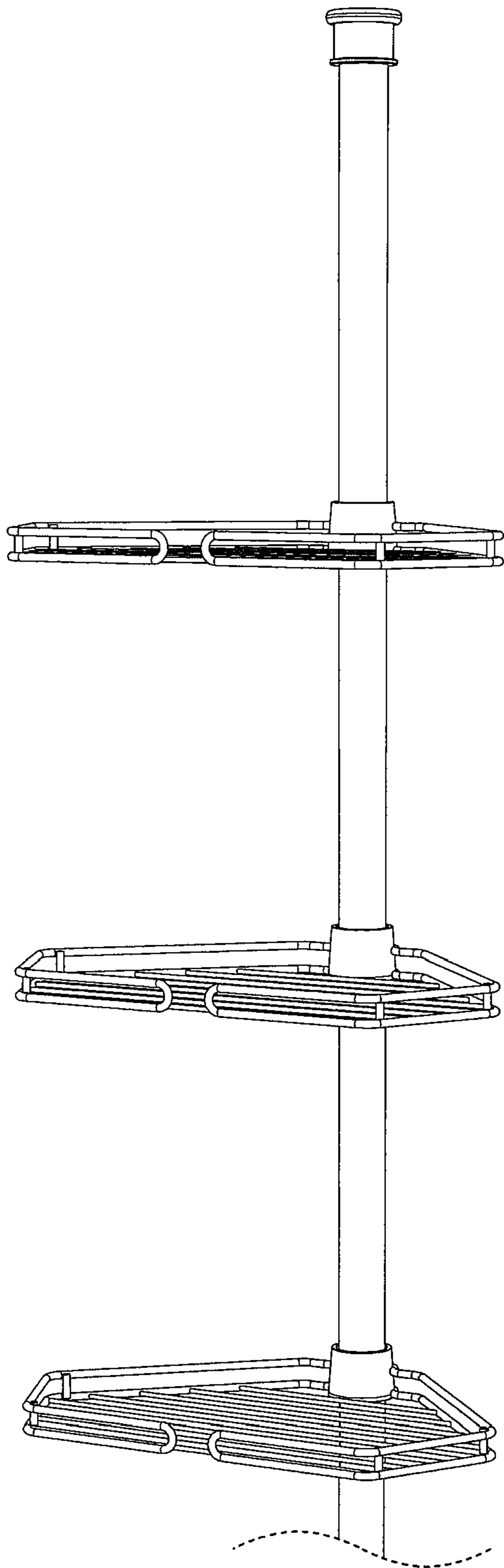


FIG. 2

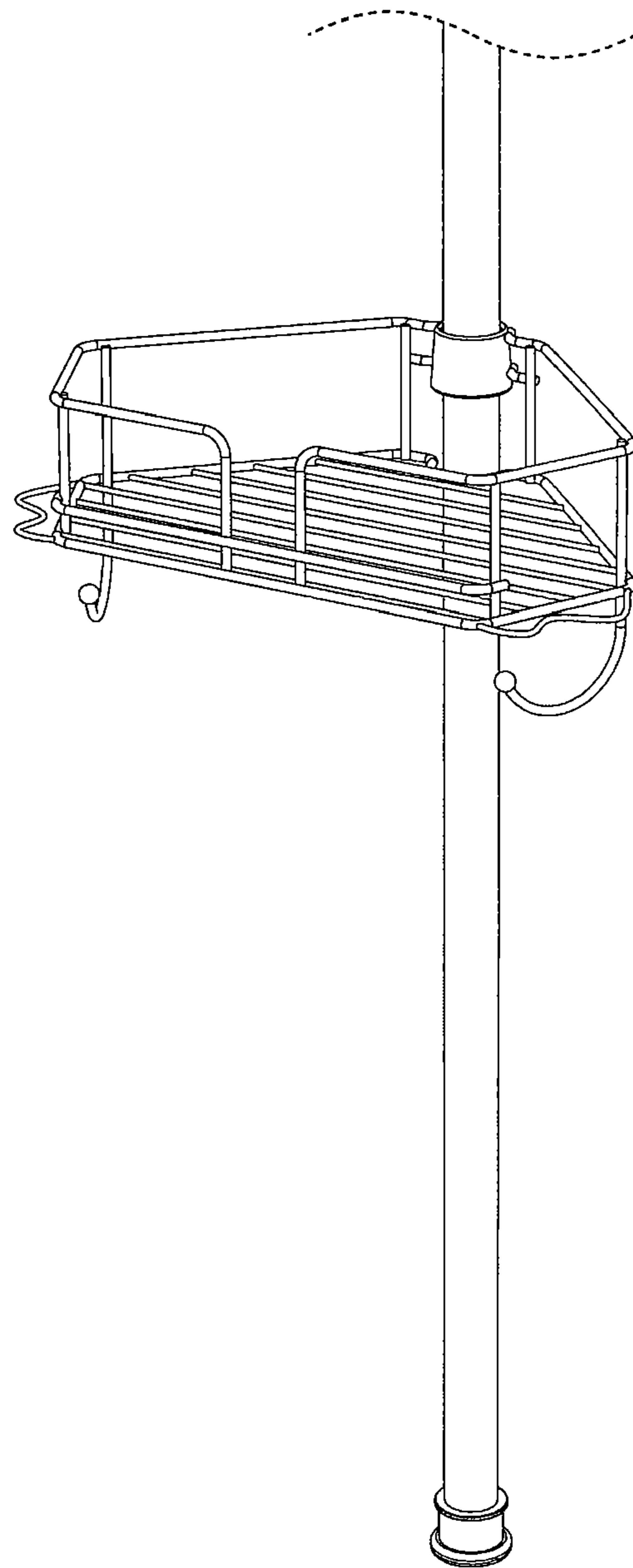


FIG. 3

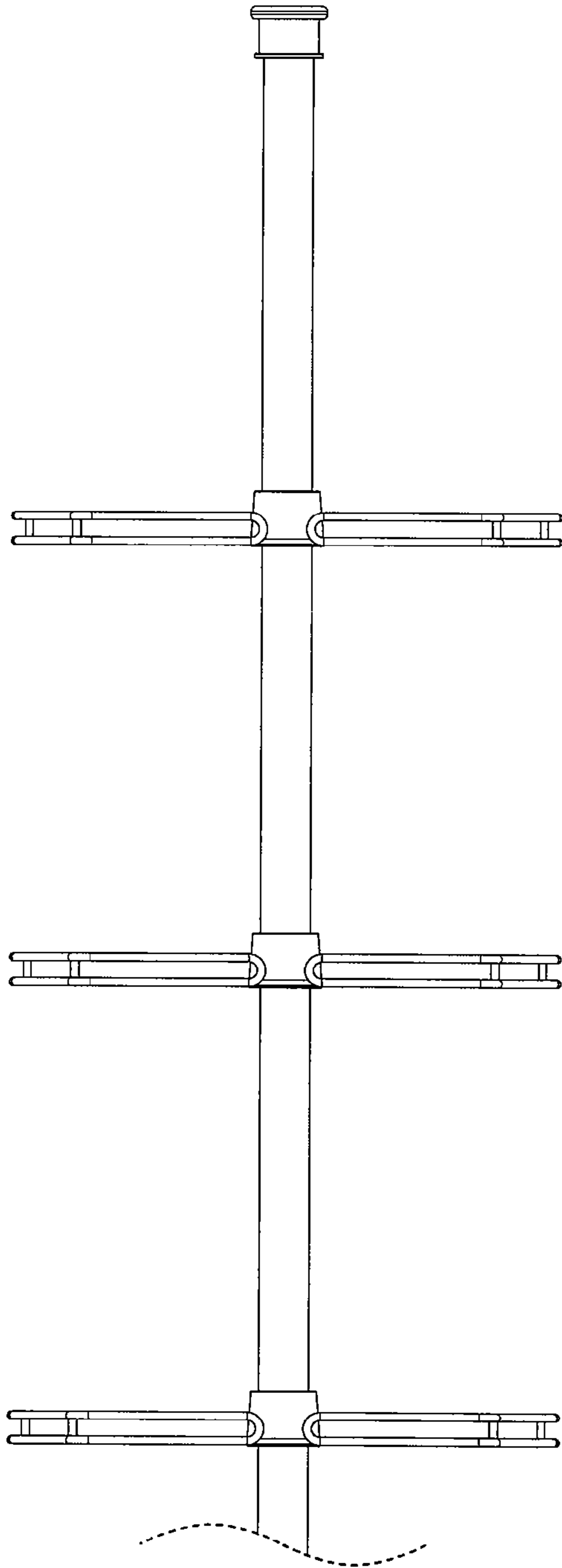


FIG. 4

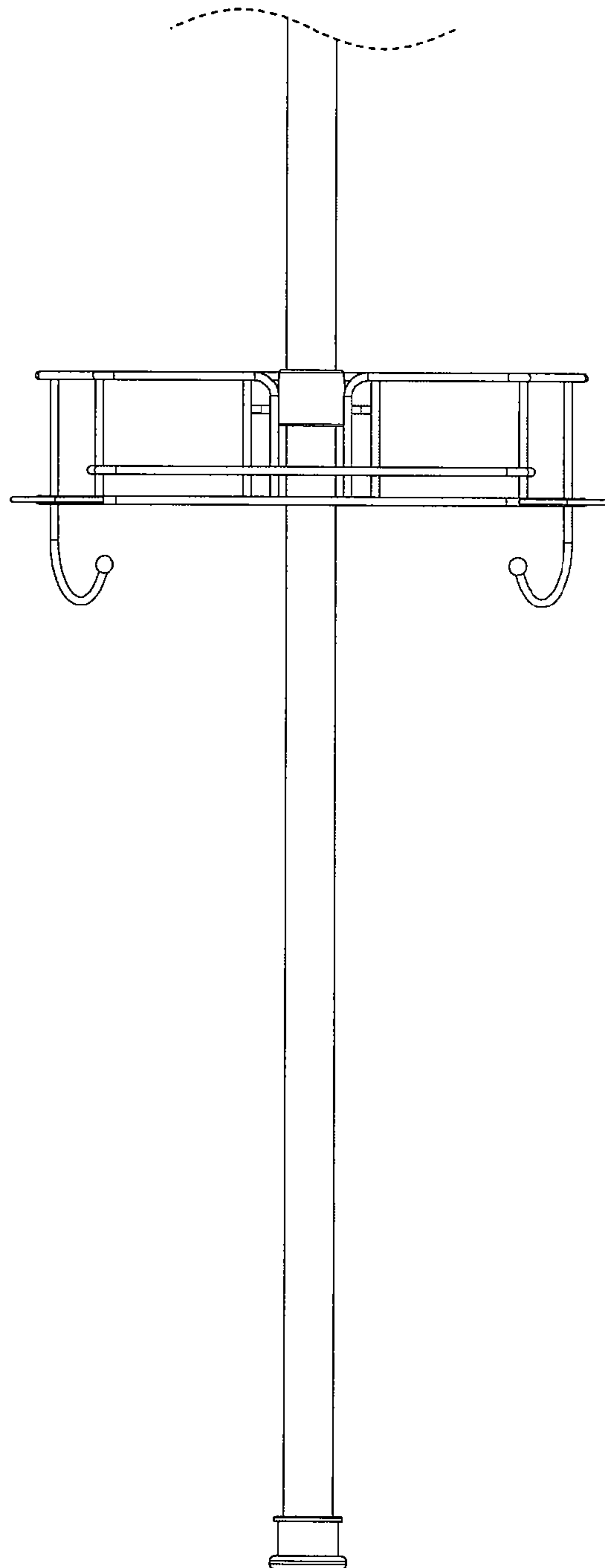


FIG. 5

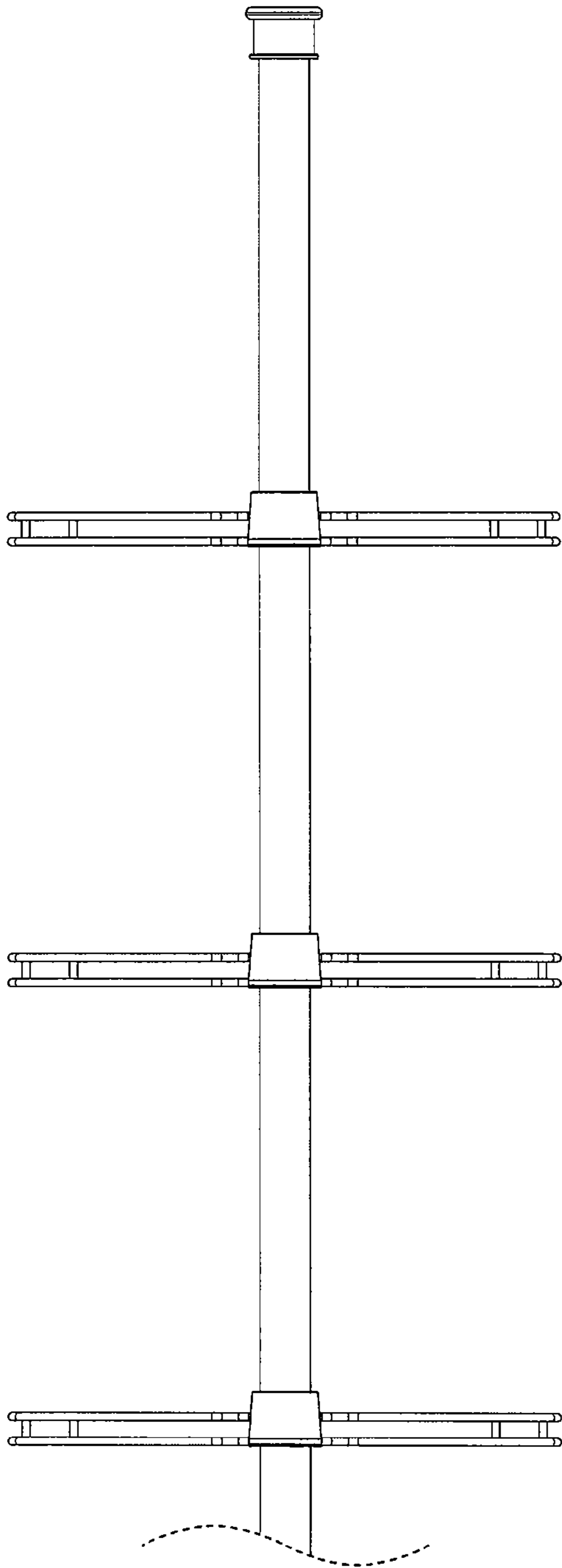


FIG. 6

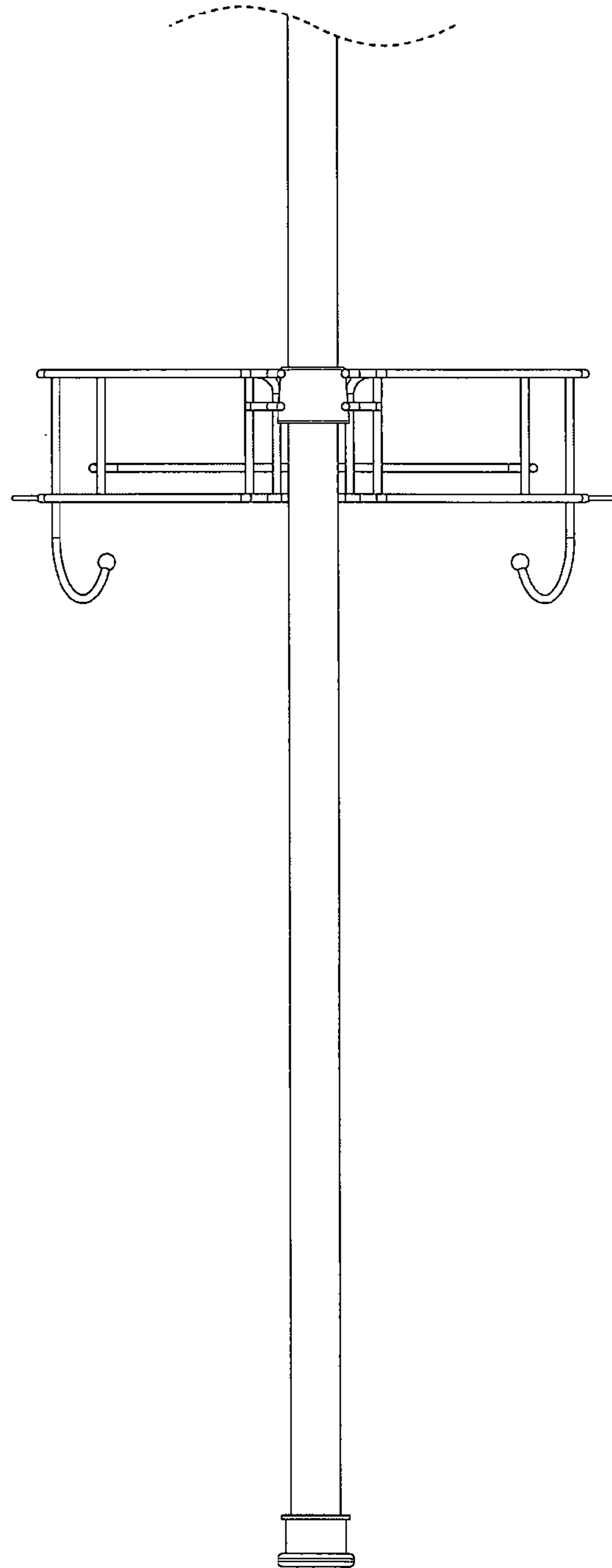


FIG. 7

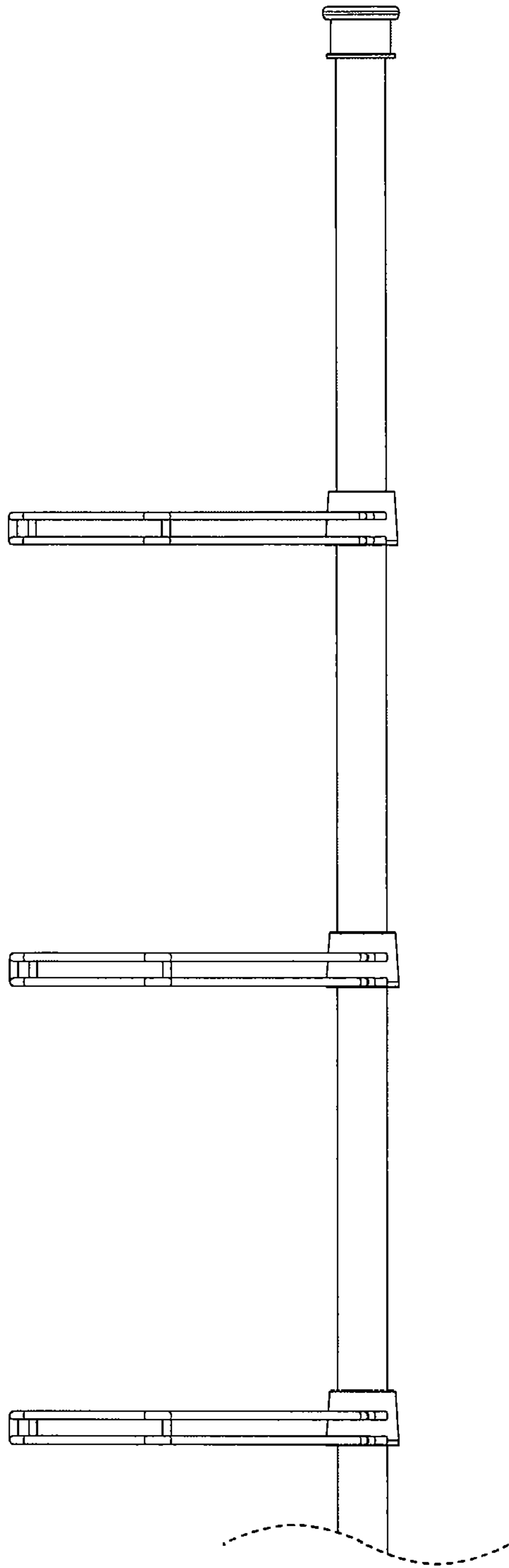


FIG. 8

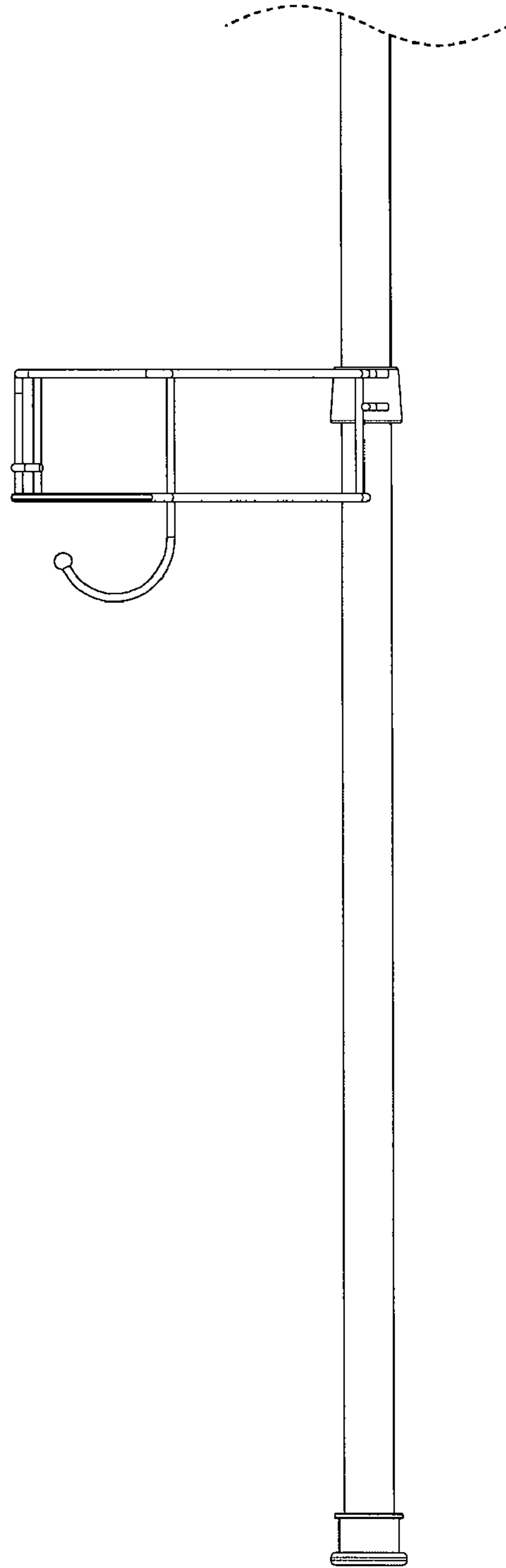


FIG. 9

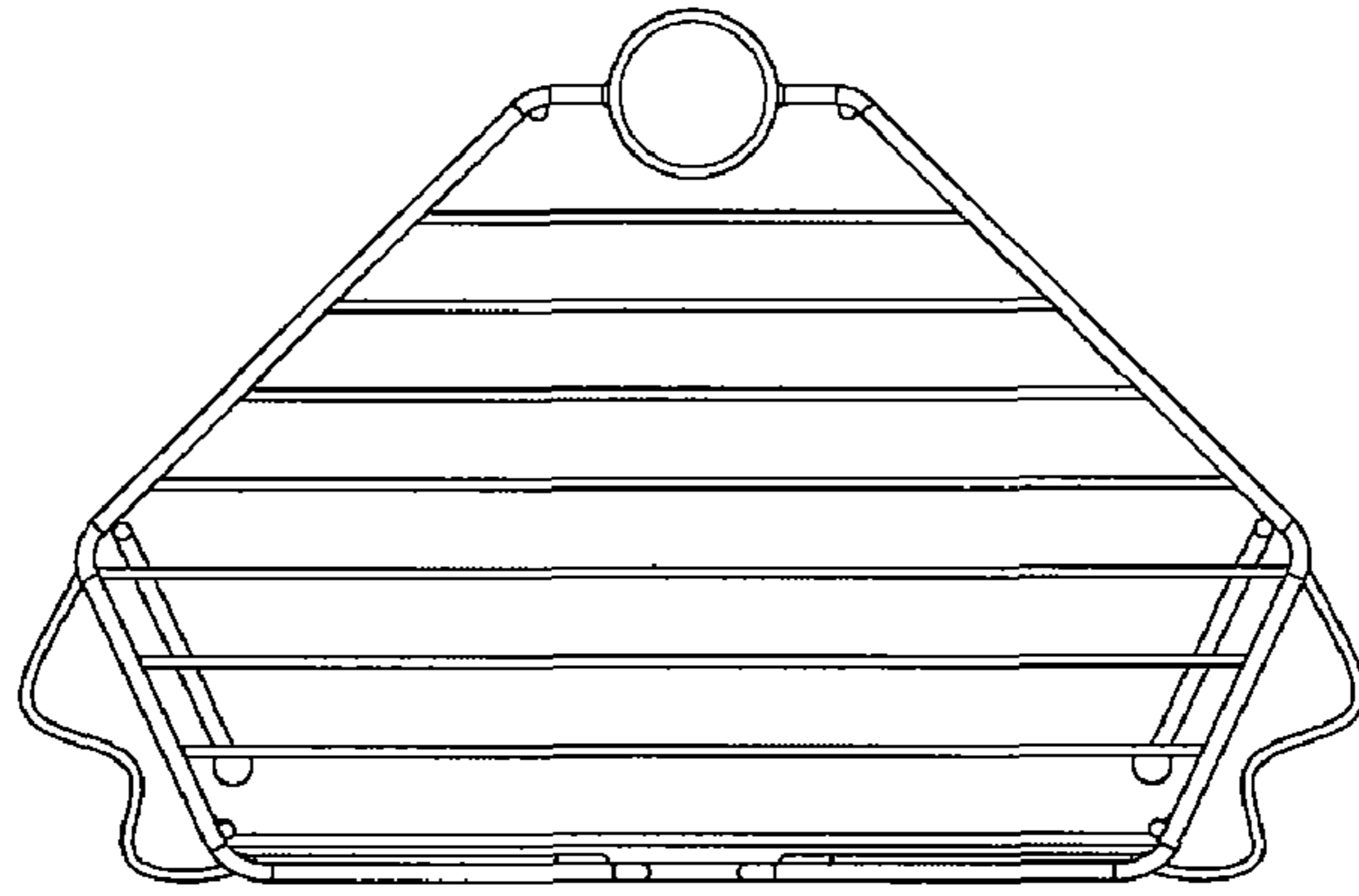


FIG. 10

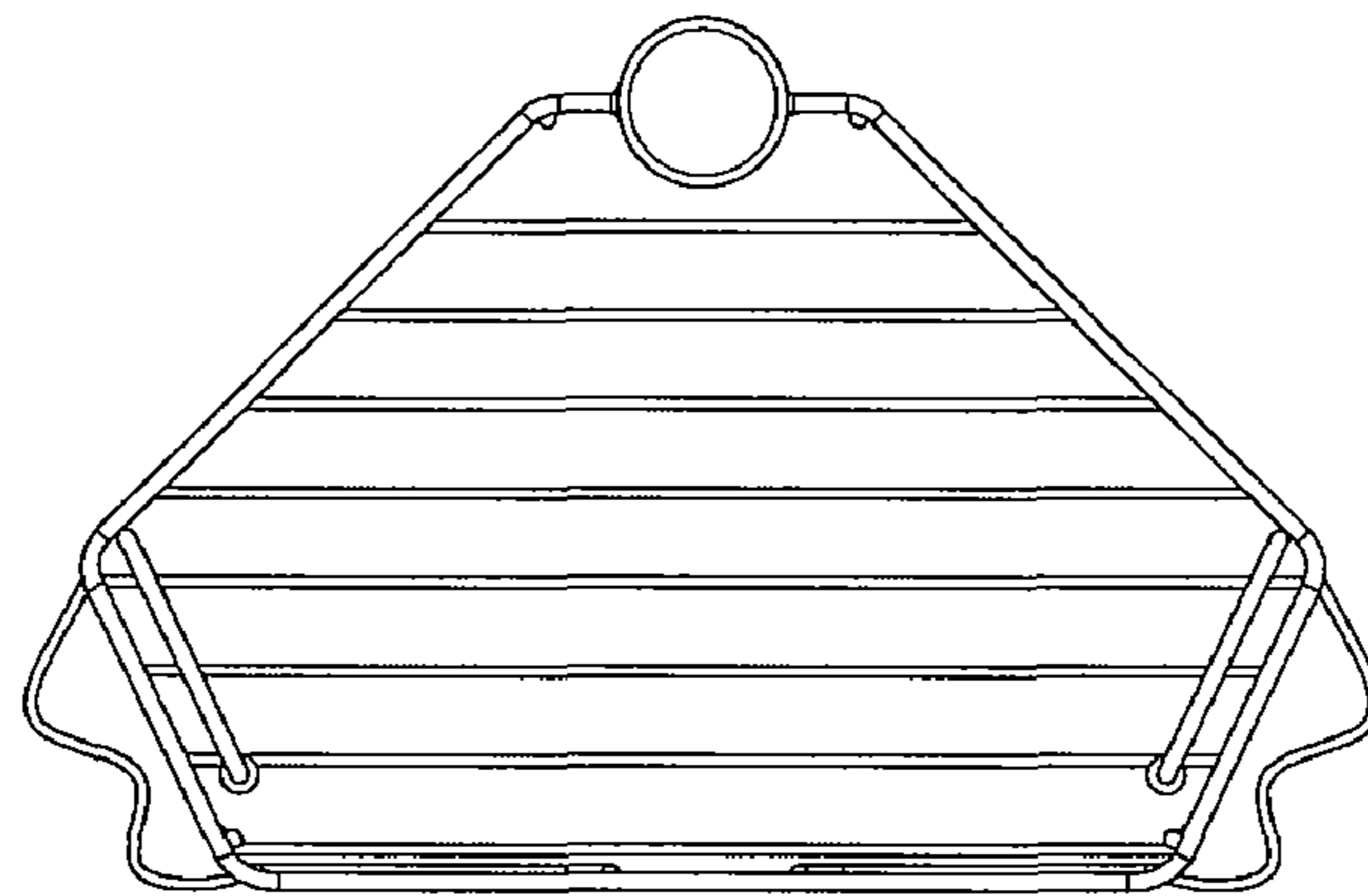


FIG. 11