



US00D635806S

(12) **United States Design Patent**
Bodum

(10) **Patent No.:** **US D635,806 S**

(45) **Date of Patent:** **** Apr. 12, 2011**

(54) **PAPER ROLL HOLDER**

(75) Inventor: **Jorgen Bodum**, Meggen (CH)

(73) Assignee: **PI-Design AG**, Triengen (CH)

(**) Term: **14 Years**

(21) Appl. No.: **29/369,937**

(22) Filed: **Sep. 15, 2010**

(30) **Foreign Application Priority Data**

Mar. 16, 2010 (WO) DM/073 345

(51) **LOC (9) Cl.** **20-02**

(52) **U.S. Cl.** **D6/521**

(58) **Field of Classification Search** D6/518-523;
206/389, 391; 211/13.1, 59.1, 45, 890.1;
242/570, 590, 597.7; 248/309.1, 309.2

See application file for complete search history.

(56) **References Cited**

U.S. PATENT DOCUMENTS

D479,072	S *	9/2003	Duncan et al.	D6/522
6,832,739	B1	12/2004	Kraus		
D520,278	S *	5/2006	Mariano et al.	D6/521
D545,599	S *	7/2007	Yu	D6/521
7,264,197	B2	9/2007	Yu		
D555,954	S *	11/2007	Yang et al.	D6/521
D562,042	S *	2/2008	Shek	D6/521
7,458,541	B1	12/2008	Chang		
7,530,526	B1	5/2009	Powers		
7,559,504	B2	7/2009	Yang et al.		
D609,949	S *	2/2010	Yang et al.	D6/521
D610,382	S *	2/2010	Yang et al.	D6/521
2007/0176043	A1	8/2007	Yu		

FOREIGN PATENT DOCUMENTS

EP 1086646 B1 11/2003
SE 450083 B 6/1987

OTHER PUBLICATIONS

International Search Report corresponding to CH00366/10, dated Mar. 16, 2010.

Switzerland Patent Application No. 00366/10.

* cited by examiner

Primary Examiner — Brian N Vinson

(74) *Attorney, Agent, or Firm* — Sughrue Mion, PLLC

(57) **CLAIM**

The ornamental design for a paper roll holder, as shown and described.

DESCRIPTION

FIG. 1 is a perspective view of a paper roll holder showing my new design;

FIG. 2 is a perspective view of a paper roll holder showing my new design in use;

FIG. 3 is a left side elevation view thereof;

FIG. 4 is a right side elevation view thereof;

FIG. 5 is a right back elevation view thereof;

FIG. 6 is a left back elevation view thereof;

FIG. 7 is a top plan view thereof

FIG. 8 is a bottom view thereof; and,

FIG. 9 is a section view thereof in use.

The broken lines depict environmental subject matter only and form no part of the claimed design.

1 Claim, 9 Drawing Sheets

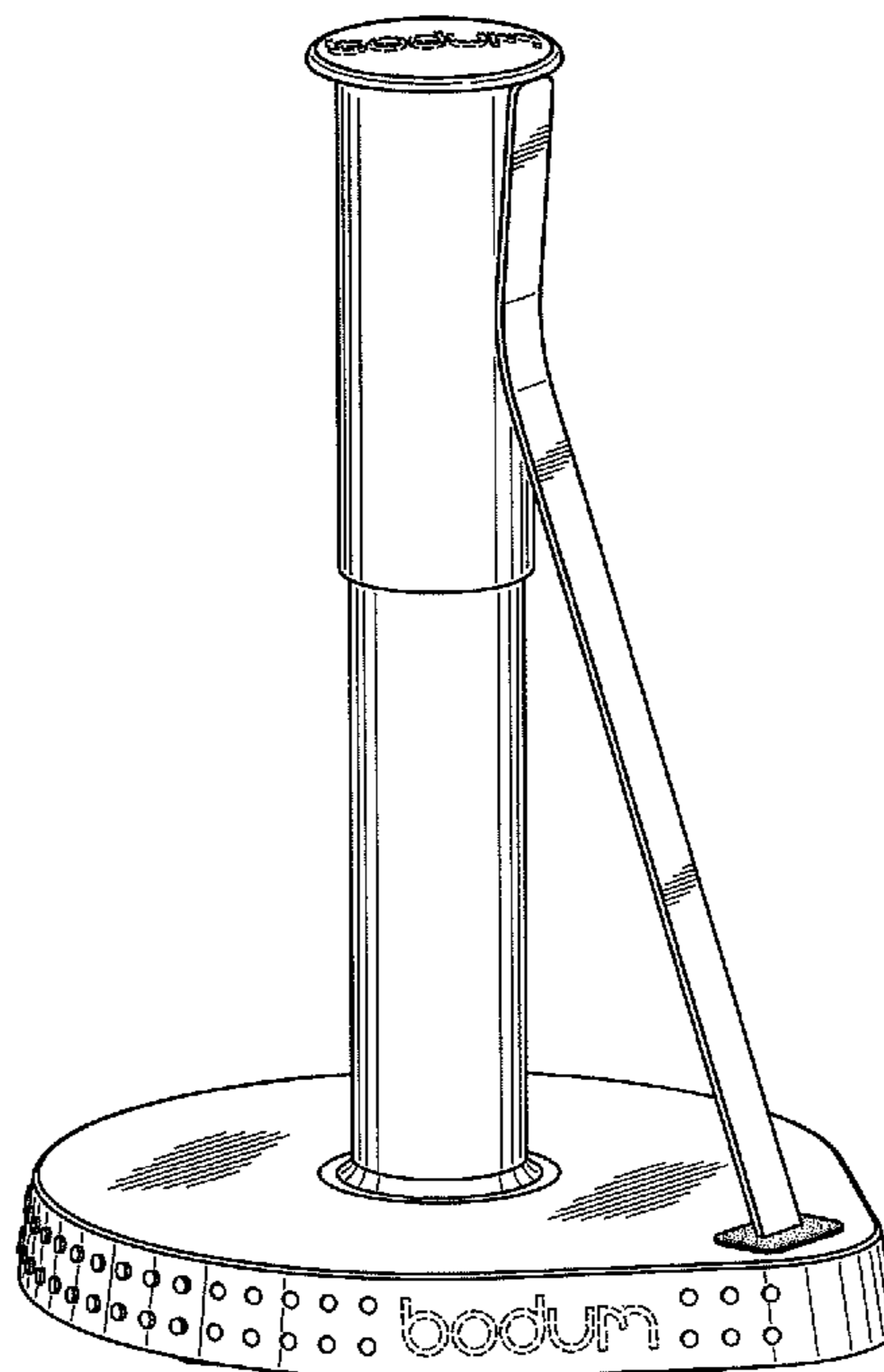


Fig. 1

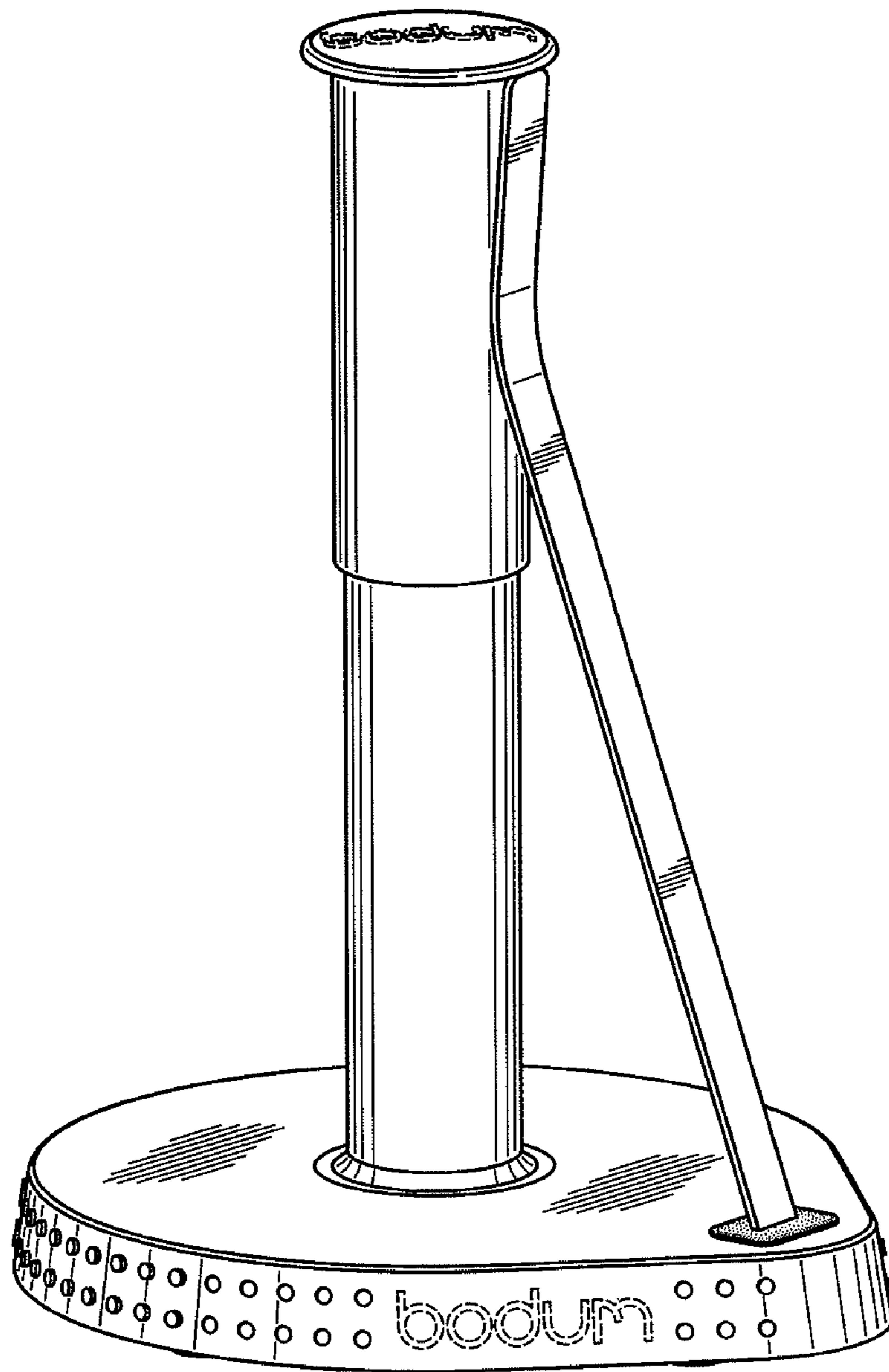


Fig. 2

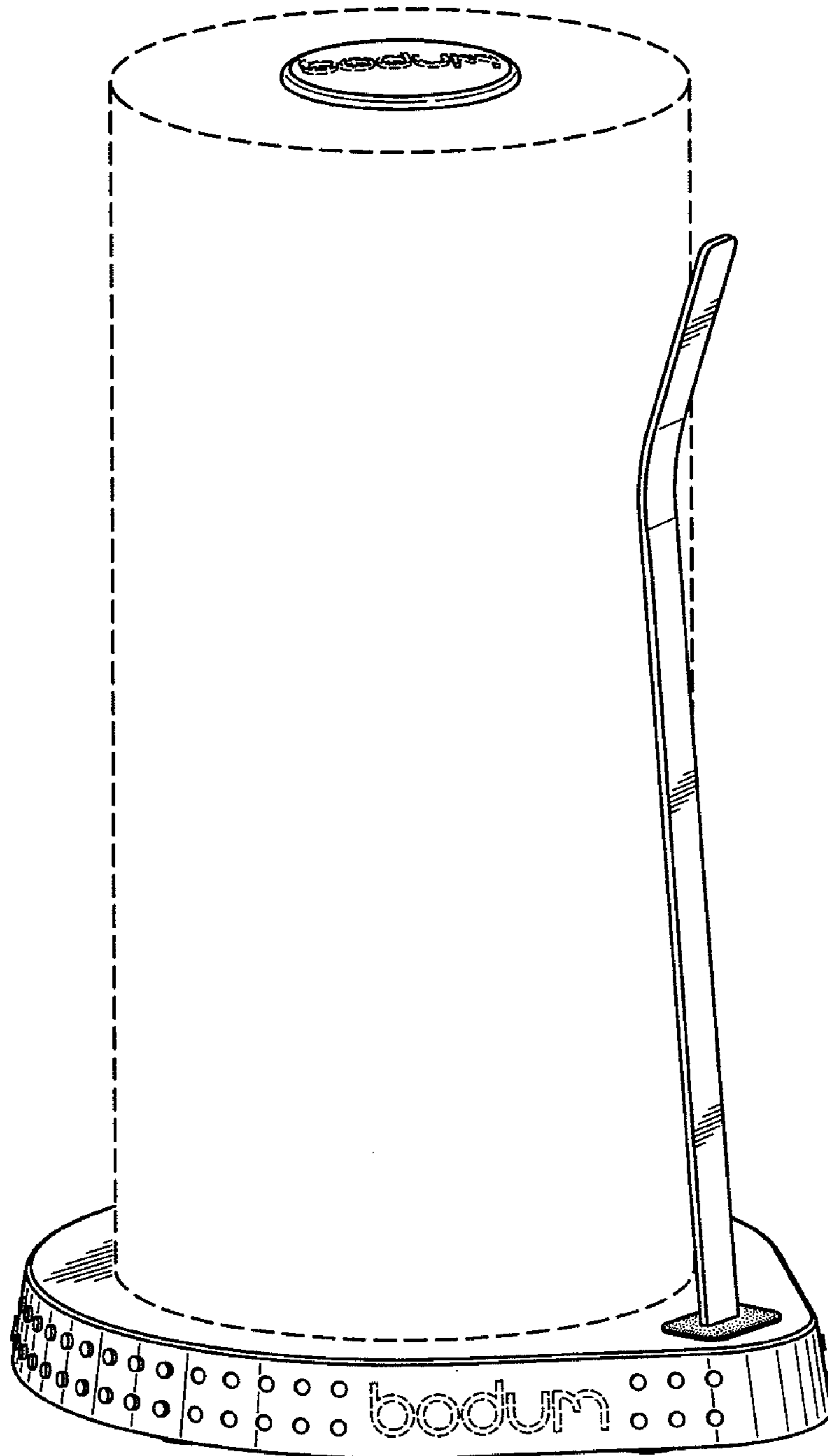


Fig. 3

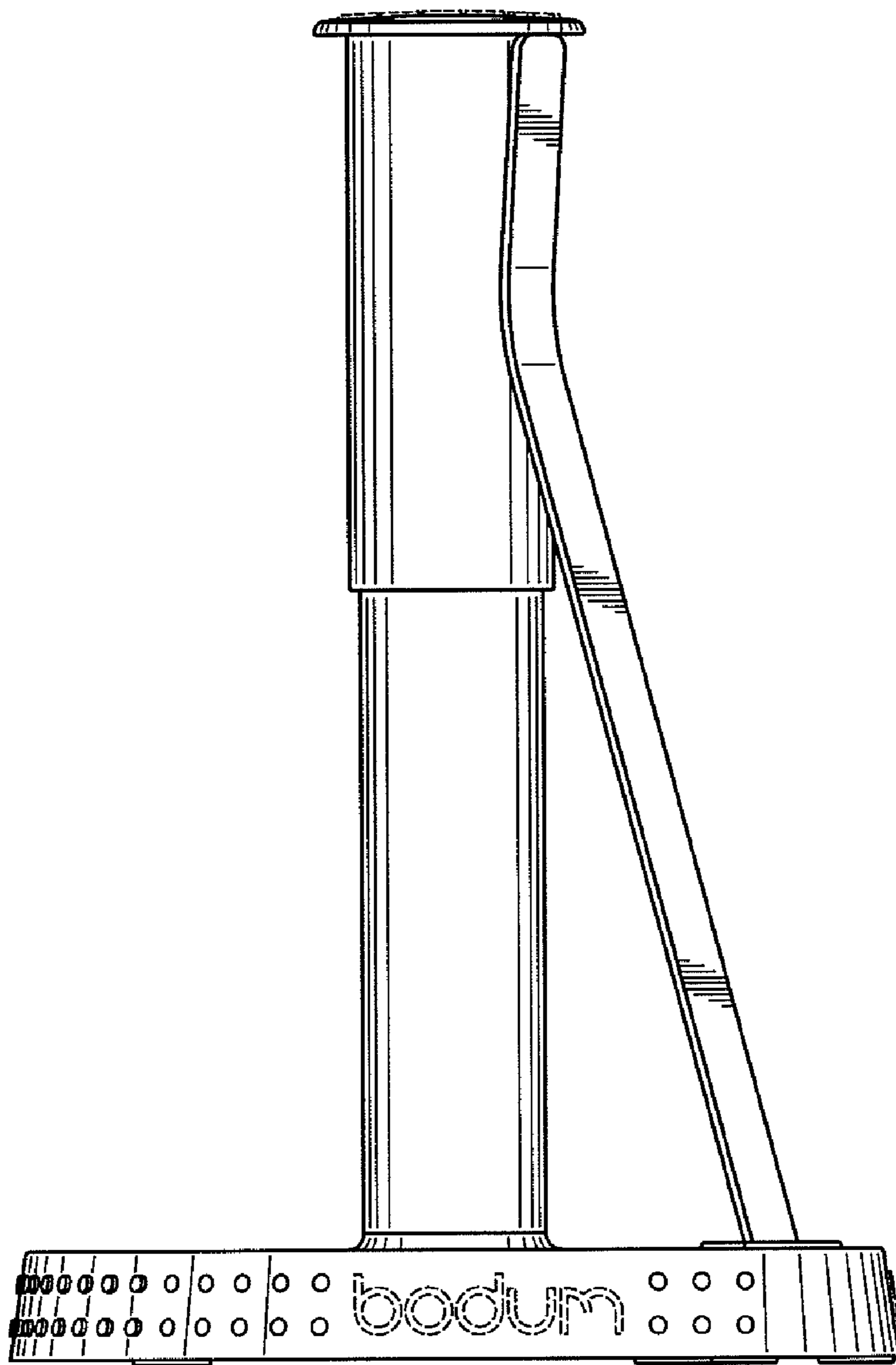


Fig. 4

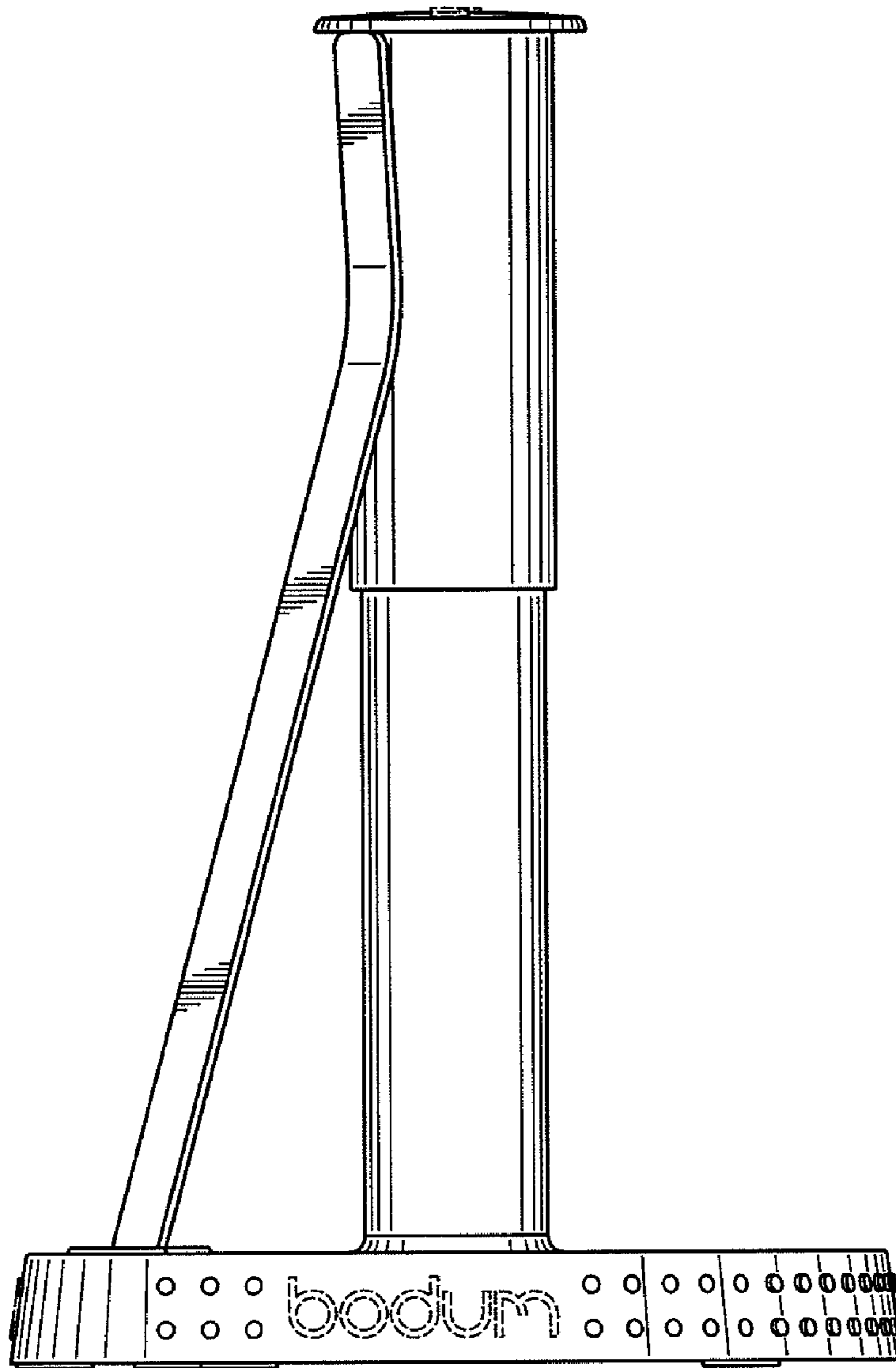


Fig. 5

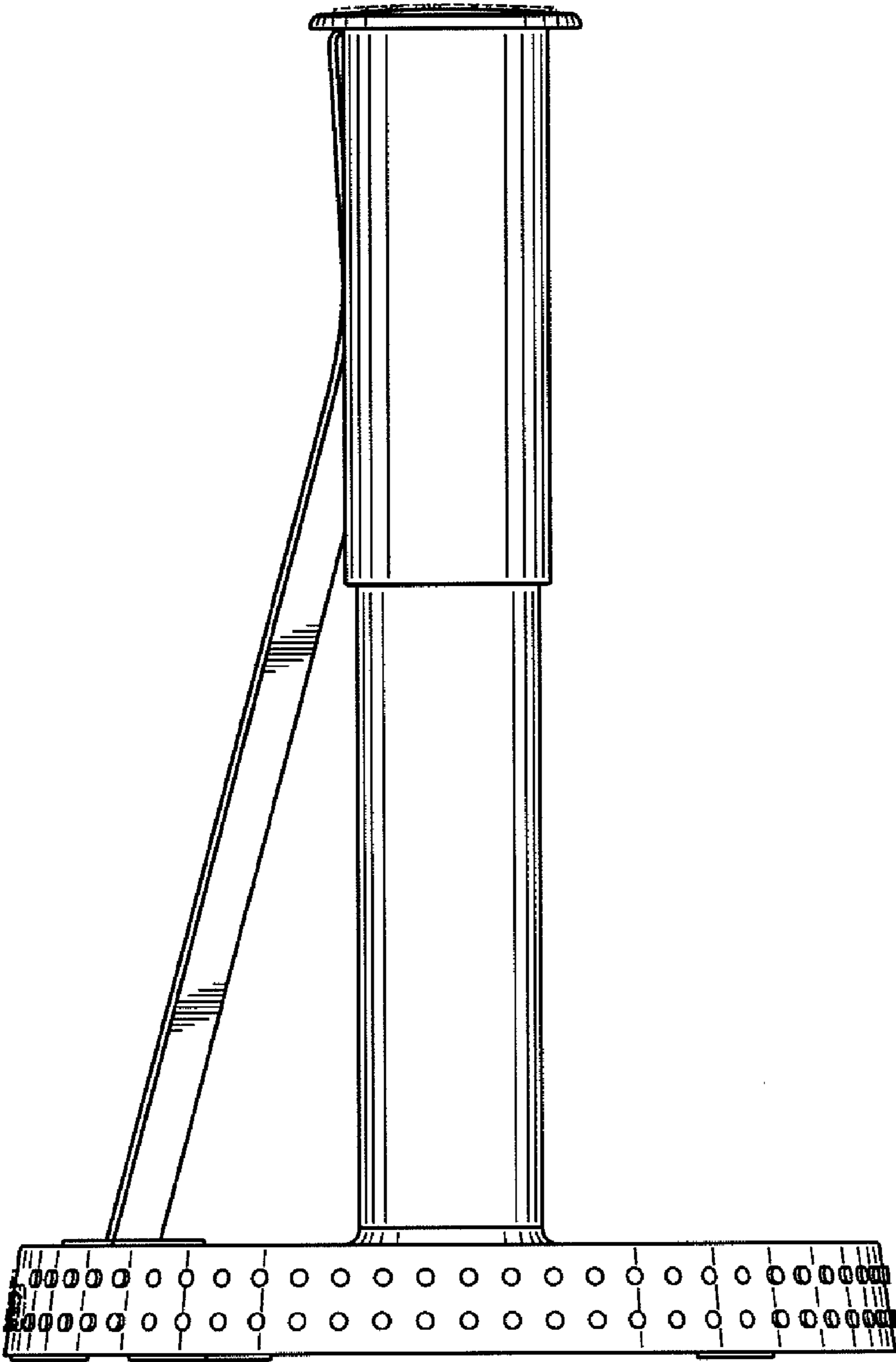


Fig. 6

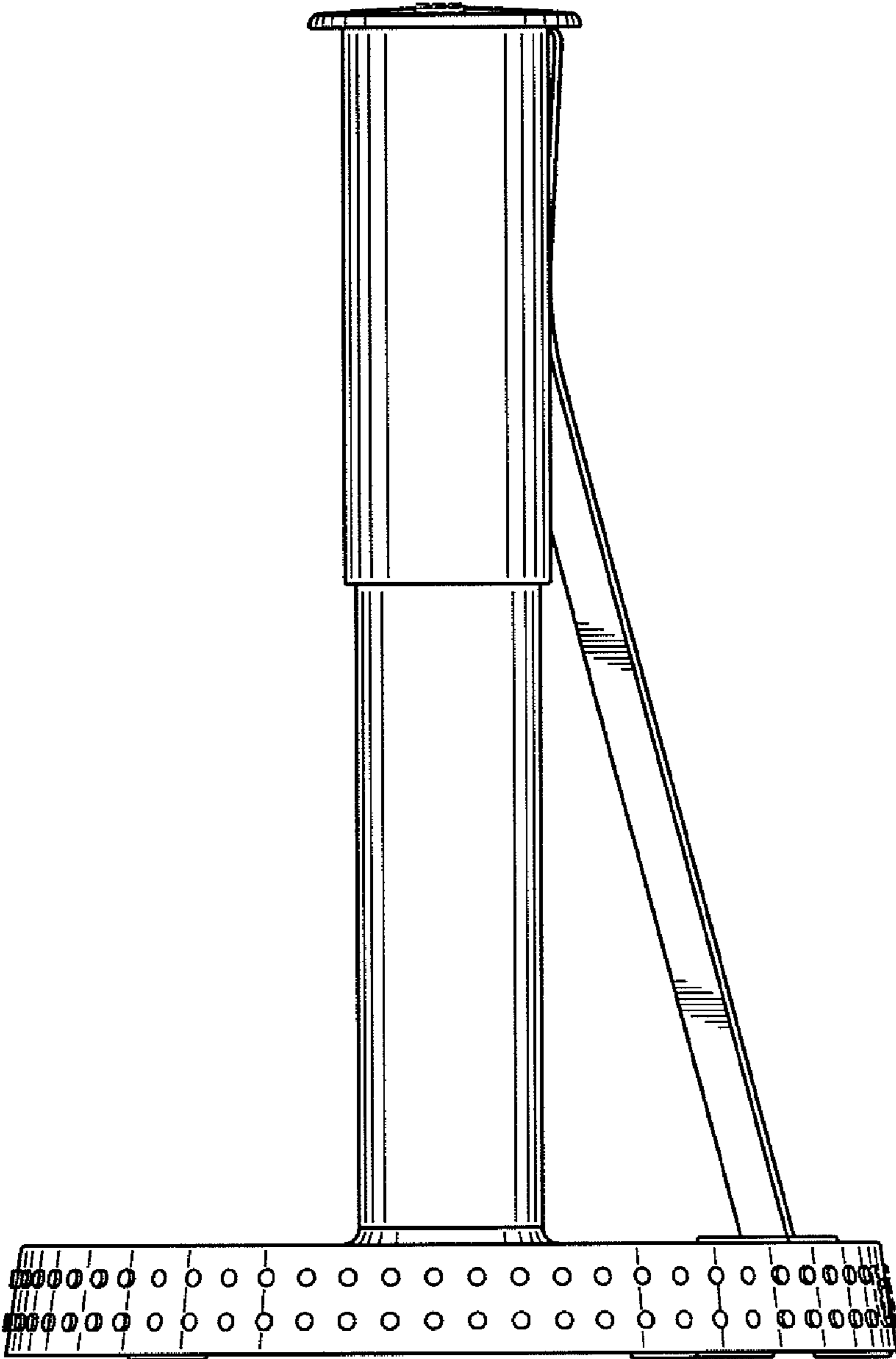


Fig. 7

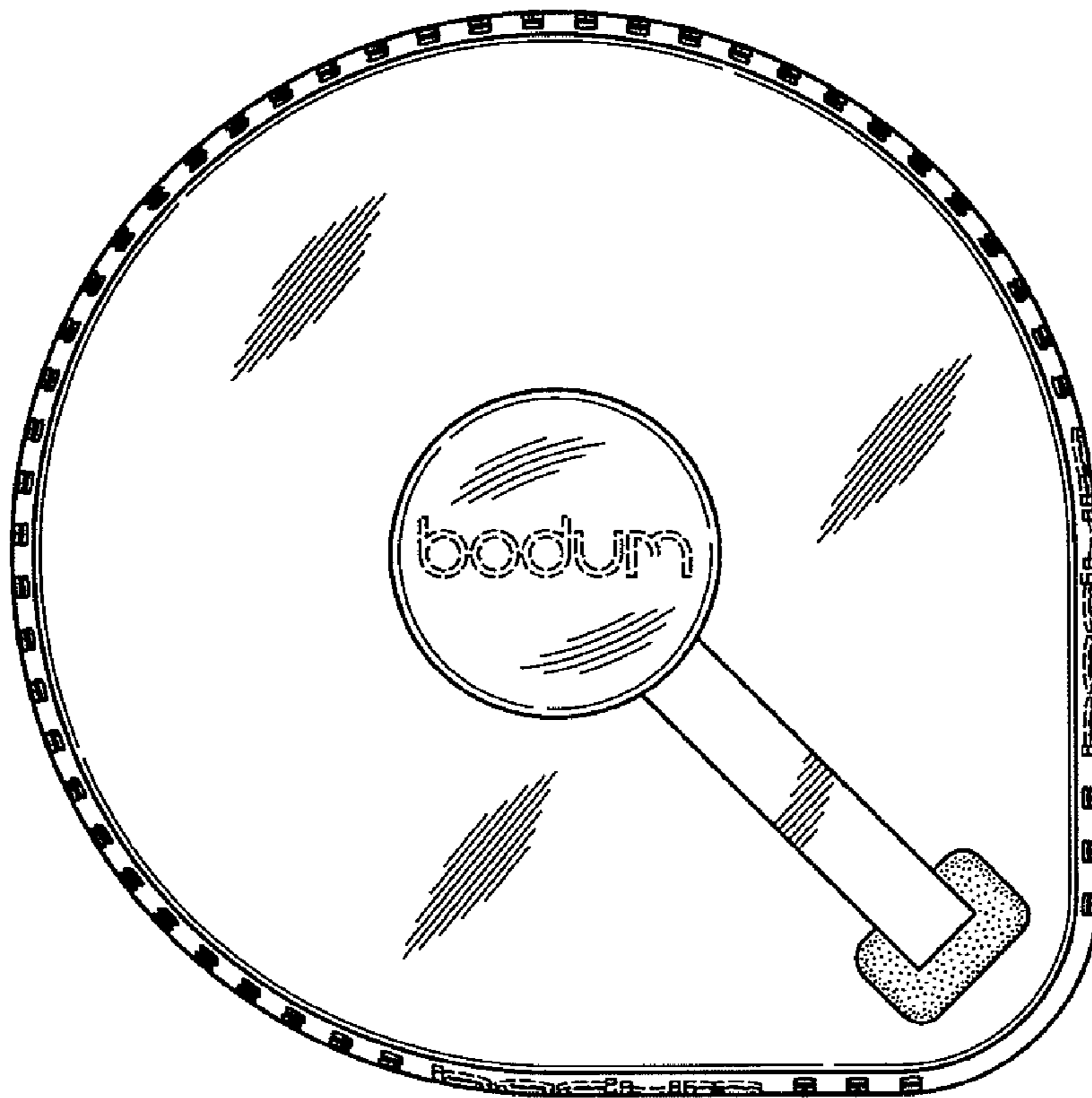


Fig. 8

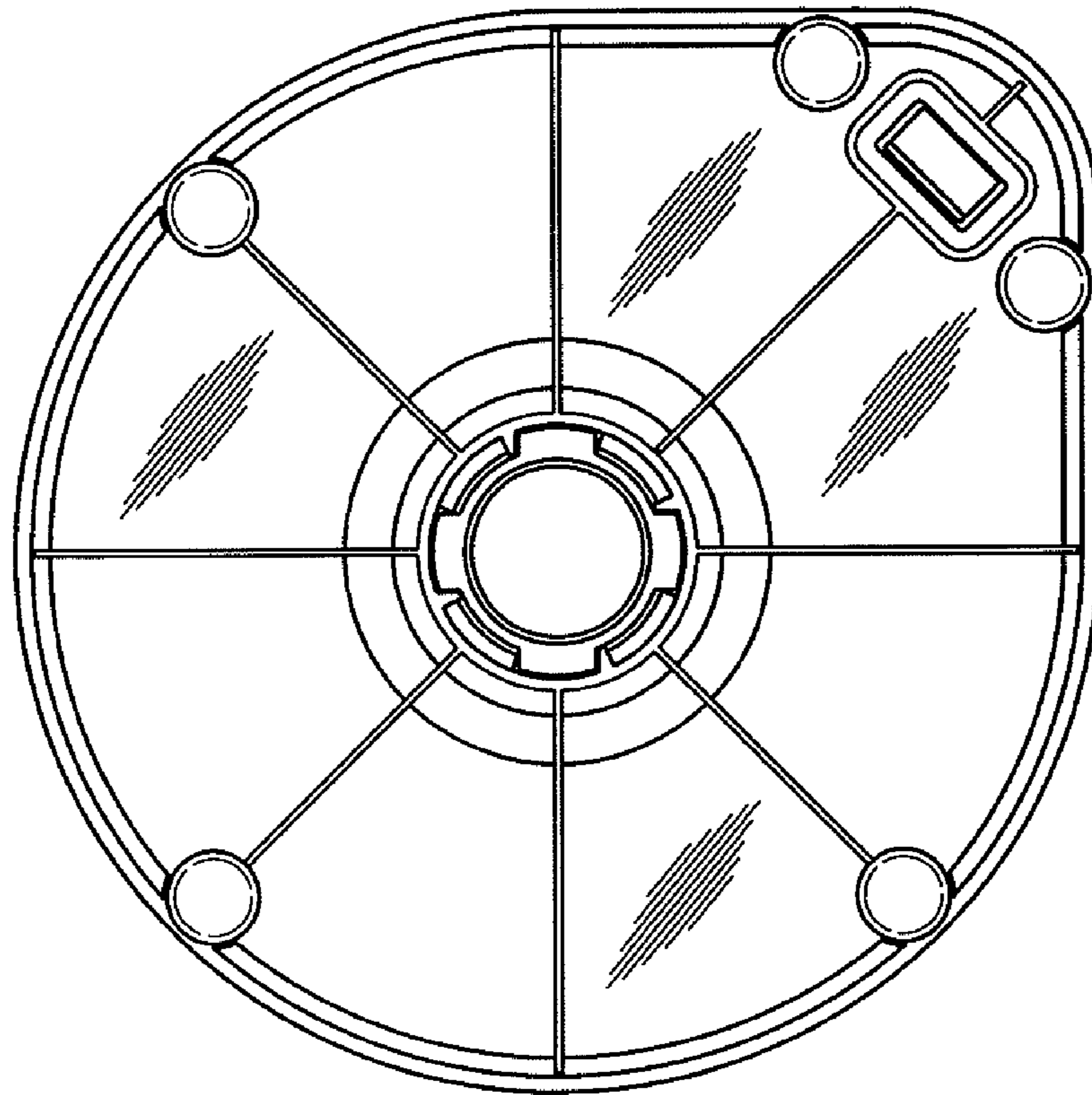


Fig. 9

