



US00D635805S

(12) **United States Design Patent**  
**Pleyber et al.**

(10) **Patent No.:** **US D635,805 S**  
(45) **Date of Patent:** **\*\* Apr. 12, 2011**

(54) **PAPER DISPENSER**

(75) Inventors: **Emilie Pleyber**, Wintzenheim (FR); **Eric Denis**, Sathonay Camp (FR)

(73) Assignee: **Georgia-Pacific France** (FR)

(\*\*) Term: **14 Years**

(21) Appl. No.: **29/367,715**

(22) Filed: **Aug. 12, 2010**

(30) **Foreign Application Priority Data**

Feb. 17, 2010 (EM) ..... 001196638

(51) **LOC (9) Cl.** ..... **20-02**

(52) **U.S. Cl.** ..... **D6/518**

(58) **Field of Classification Search** ..... D6/518-523;  
206/389, 390, 395; 221/282-283; 312/34.8;  
242/570, 560, 590, 597.7, 598; D9/516,  
D9/549, 423; D3/294, 318

See application file for complete search history.

(56) **References Cited**

**U.S. PATENT DOCUMENTS**

2,080,691	A	5/1937	Broeren
2,426,136	A	8/1947	Agamaite, Jr.
2,852,158	A	9/1958	Jones et al.
3,214,227	A	10/1965	Filipowicz
3,473,672	A	10/1969	Fincher
3,878,966	A	4/1975	Haboush
D263,669	S	4/1982	Collins
4,679,703	A	7/1987	De Luca
4,838,454	A	6/1989	Salzmann et al.
5,076,466	A	12/1991	Petterson et al.
5,131,561	A	7/1992	Casperson et al.
D336,597	S	6/1993	Renquist et al.

D348,379	S	7/1994	Parella
D371,708	S	7/1996	Haley et al.
6,257,443	B1	7/2001	LaCount
6,585,129	B2	7/2003	Moody et al.
6,981,610	B2	1/2006	Smiley et al.
D526,165	S	8/2006	Burns et al.
D550,517	S	9/2007	Neveu et al.
D564,812	S *	3/2008	Tomic et al. .... D6/518
D571,159	S	6/2008	Pommier et al.
D611,744	S *	3/2010	Mayer ..... D6/518
D617,127	S *	6/2010	Wang ..... D6/518
2003/0019880	A1	1/2003	Timmers et al.
2003/0062375	A1	4/2003	Christensen et al.

**FOREIGN PATENT DOCUMENTS**

WO 055909 4/2001

\* cited by examiner

*Primary Examiner* — Brian N Vinson

(74) *Attorney, Agent, or Firm* — William W. Letson

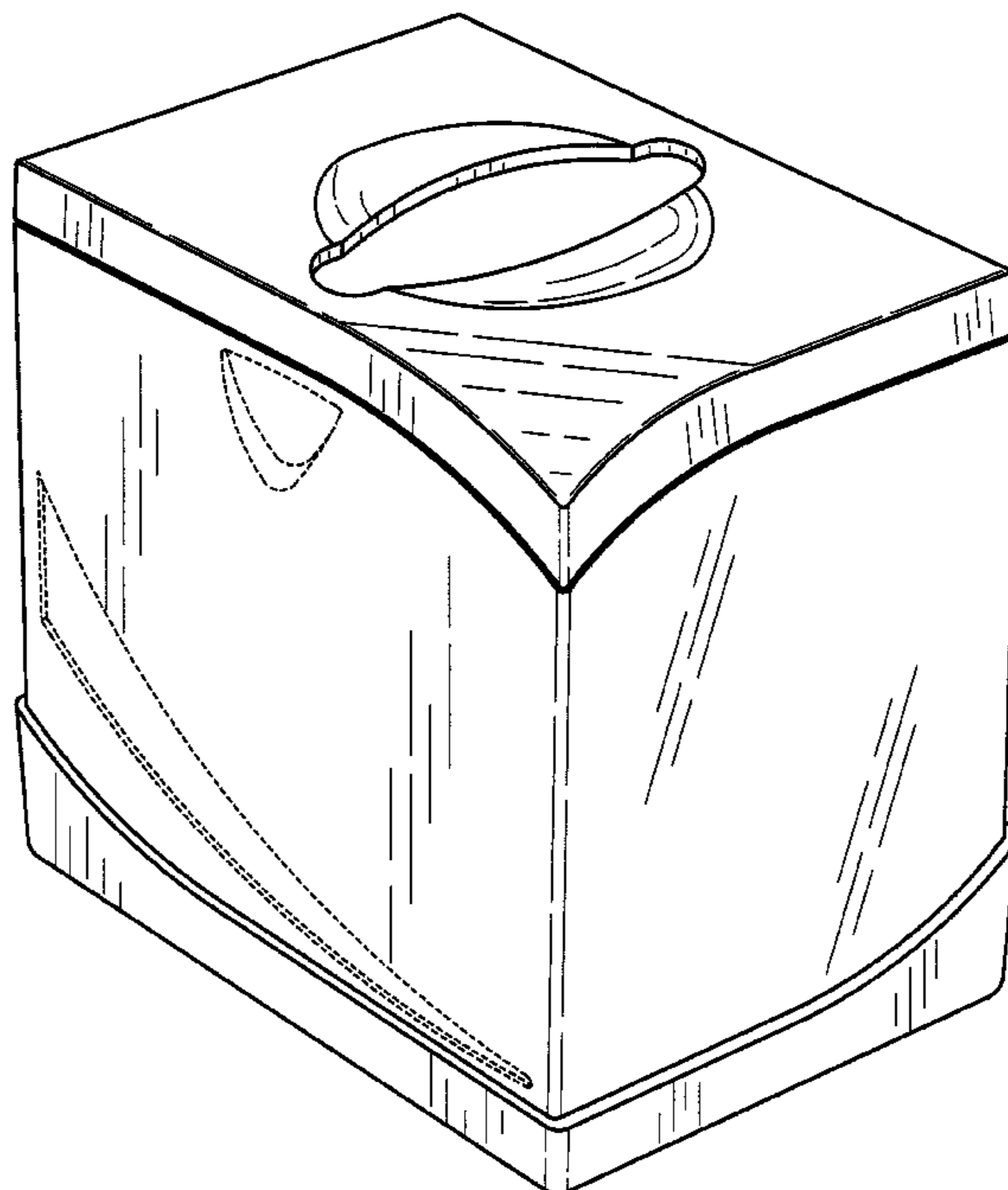
(57) **CLAIM**

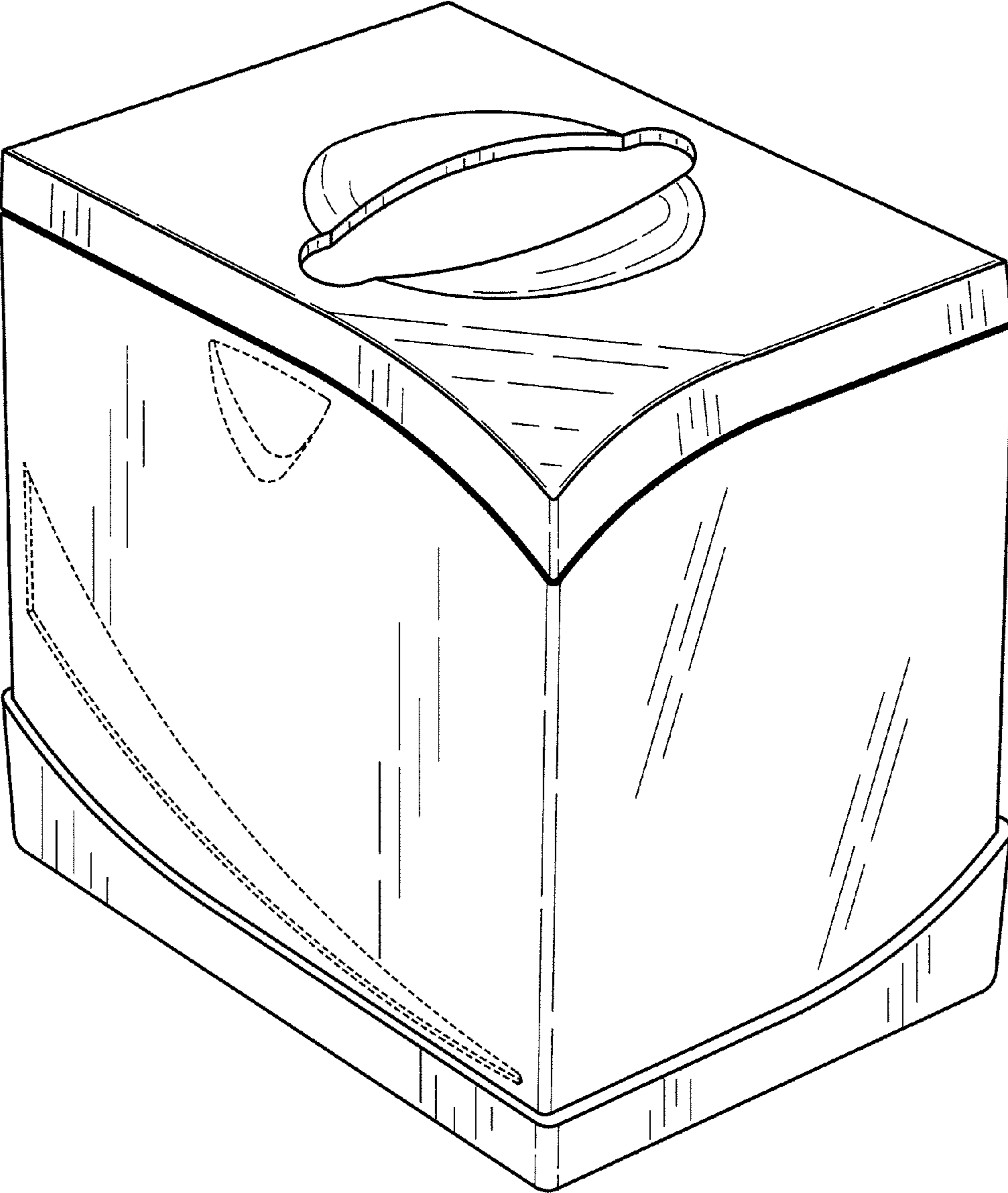
The ornamental design for a paper dispenser, as shown and described.

**DESCRIPTION**

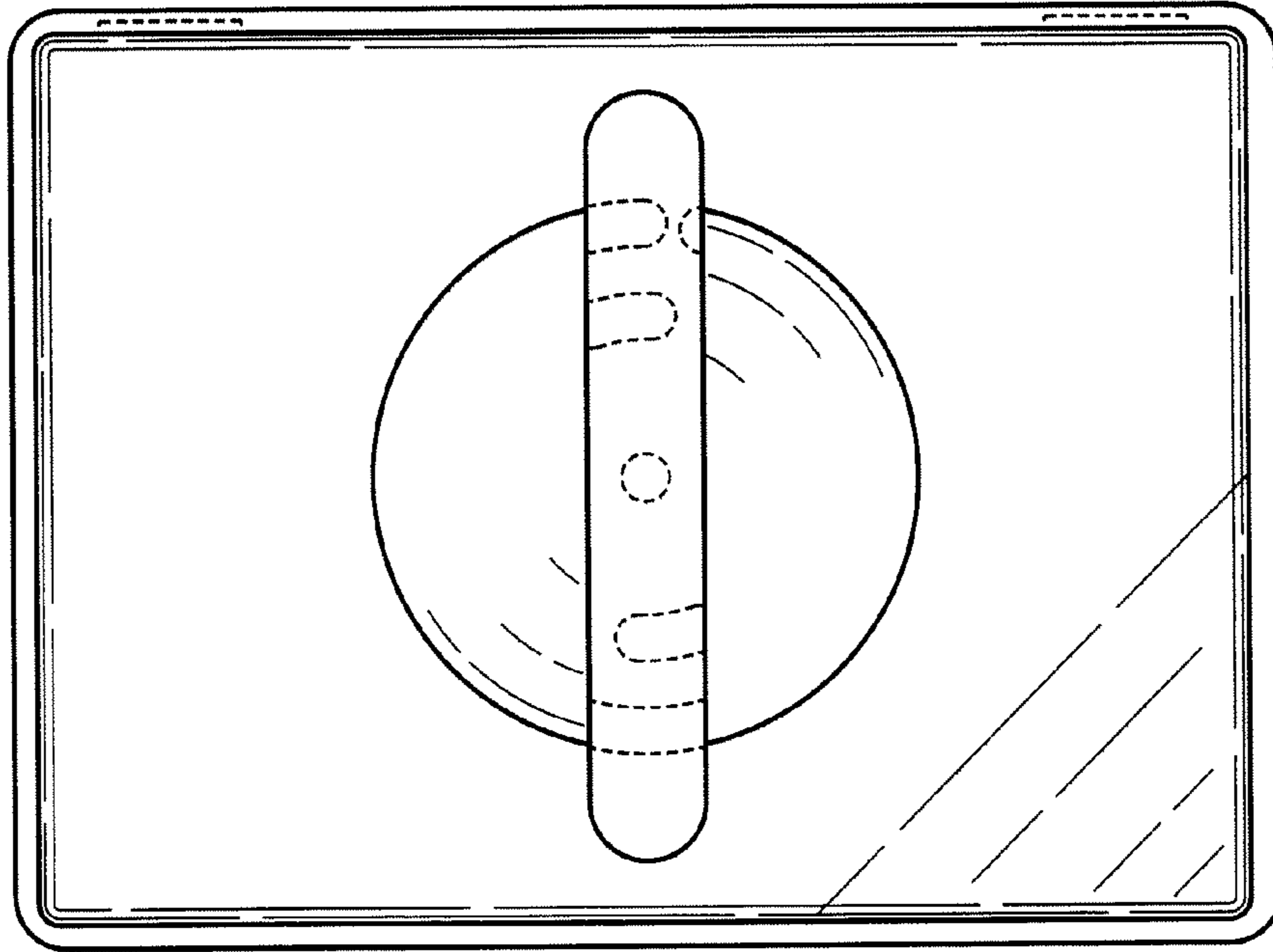
FIG. 1 is a top, front, and right side perspective view of a paper dispenser showing our new design; FIG. 2 is a top plan view thereof; and FIG. 3 is a front elevational view thereof; FIG. 4 is a rear elevational view thereof; FIG. 5 is a bottom plan view thereof. FIG. 6 is a left side elevational view thereof; and, FIG. 7 is a right side elevational view thereof. The broken line disclosure is understood to represent portions of the article in which the claimed design is embodied, but which form no part of the claimed design.

**1 Claim, 4 Drawing Sheets**

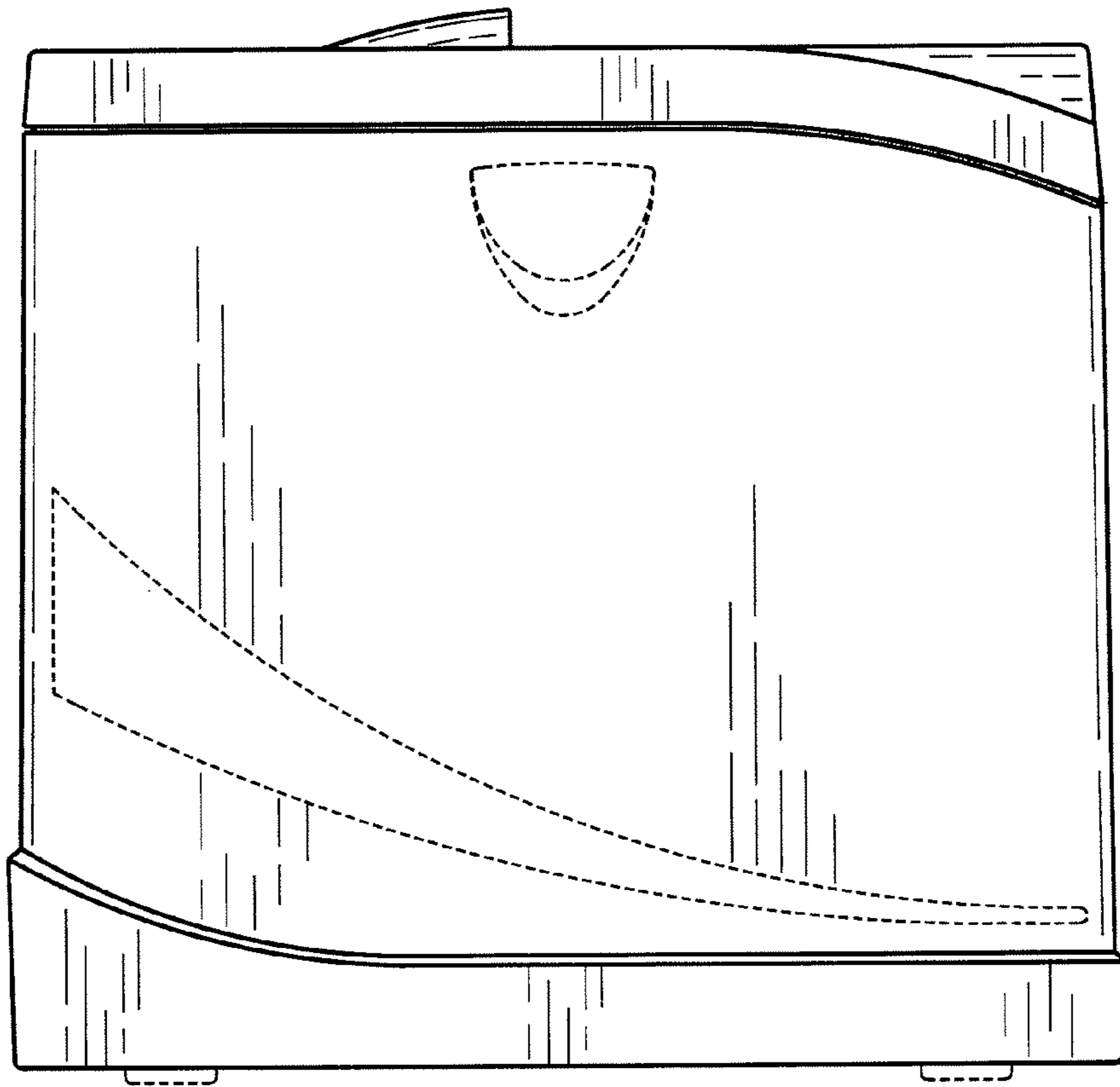




*Fig. 1*



*Fig. 2*



*Fig. 3*

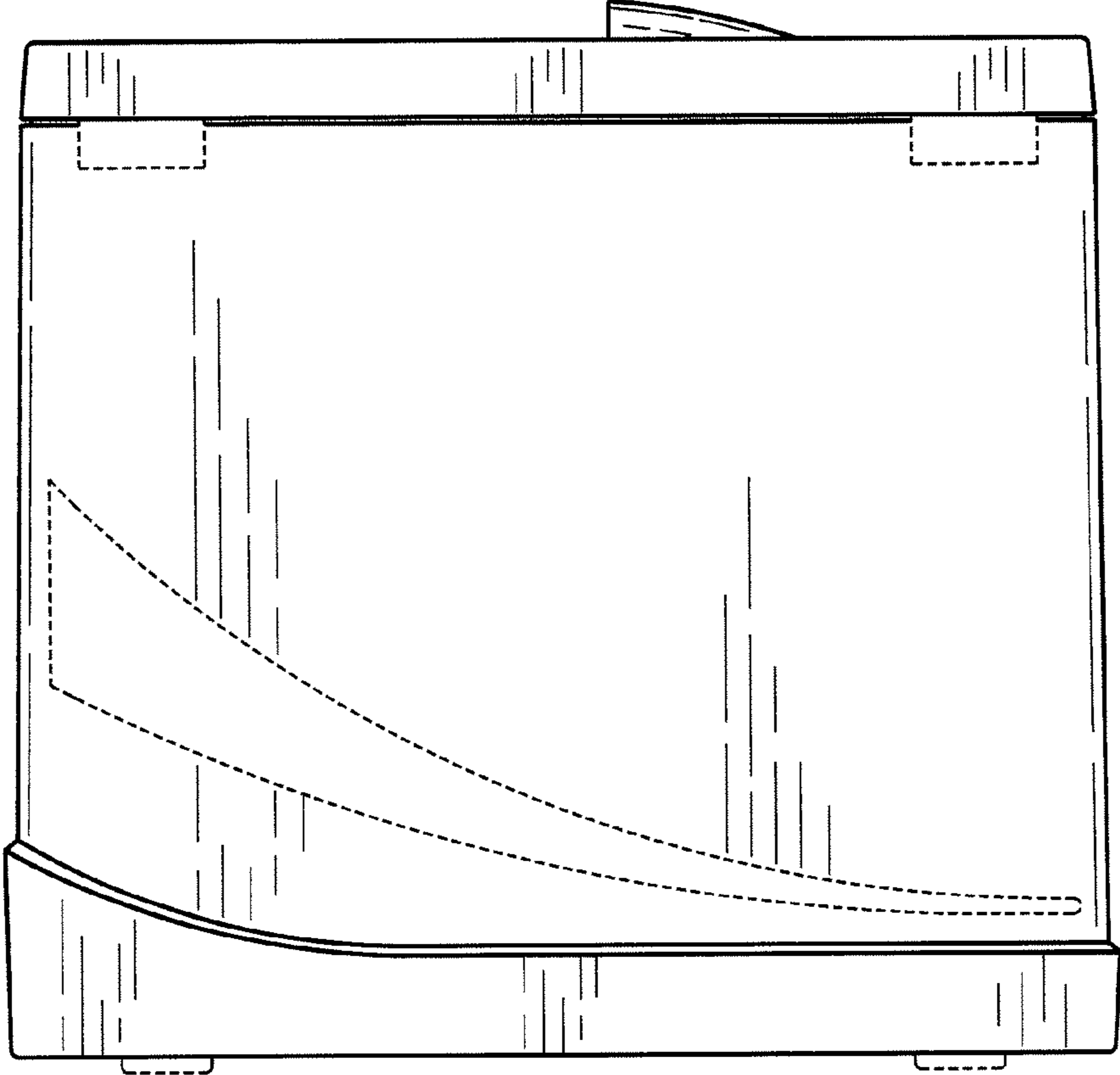


Fig. 4

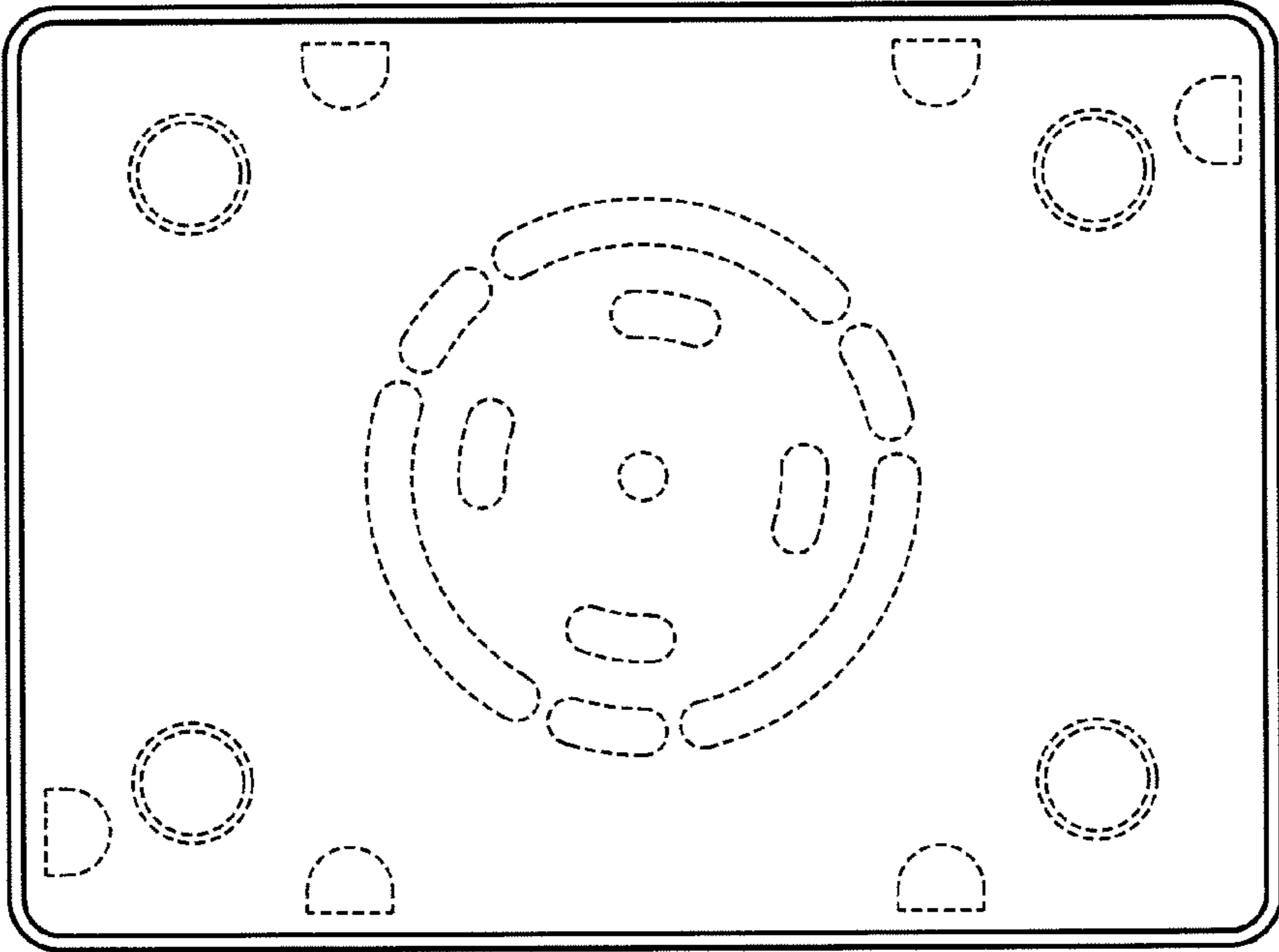


Fig. 5

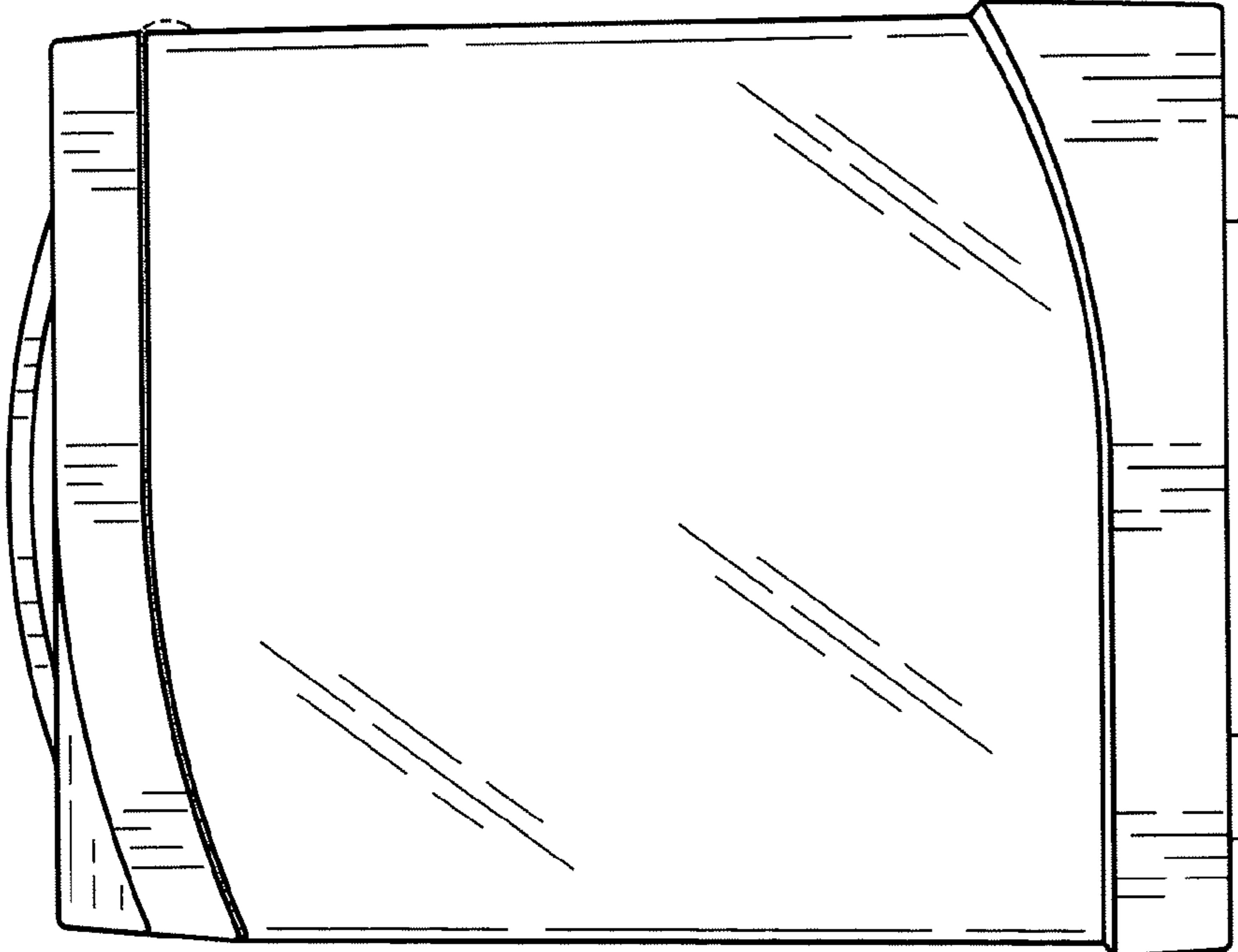


Fig. 7

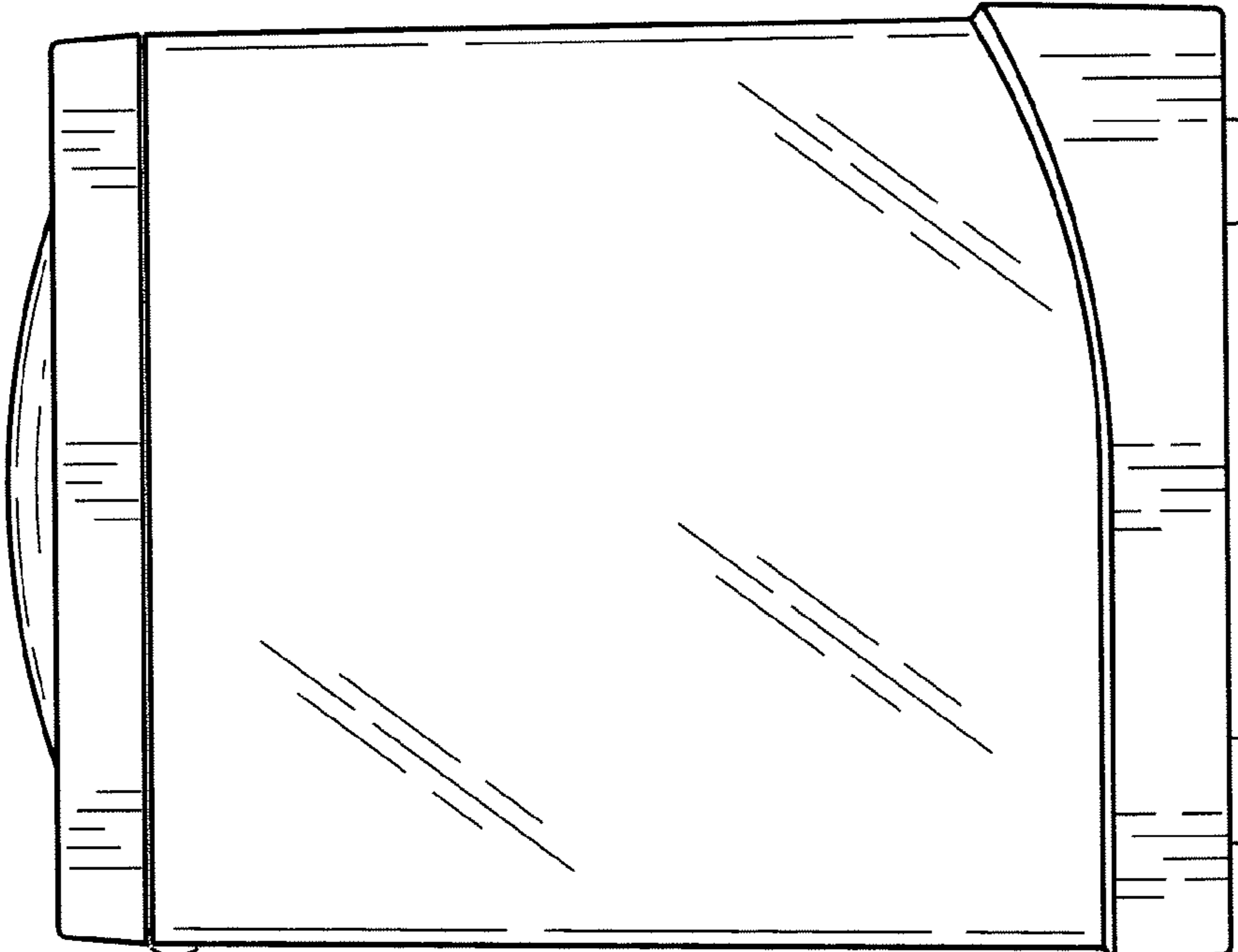


Fig. 6