



US00D635804S

(12) **United States Design Patent**  
**North**

(10) **Patent No.:** **US D635,804 S**

(45) **Date of Patent:** **\*\* Apr. 12, 2011**

(54) **TV MOUNTED SHELF**

(76) **Inventor:** **Timothy R. North**, Diamond Bar, CA  
(US)

(\*\*) **Term:** **14 Years**

(21) **Appl. No.:** **29/376,219**

(22) **Filed:** **Oct. 4, 2010**

(51) **LOC (9) Cl.** ..... **06-06**

(52) **U.S. Cl.** ..... **D6/511**

(58) **Field of Classification Search** ..... D6/396,  
D6/407, 449, 457, 513, 511, 553, 555, 468,  
D6/566, 569-570; 108/35, 40, 42, 92, 96,  
108/152, 144.11, 147.11; 211/87.01, 90.04,  
211/119.005, 199.003, 126.5, 134, 187, 207  
See application file for complete search history.

(56) **References Cited**

**U.S. PATENT DOCUMENTS**

5,584,253	A	12/1996	Stranford	
5,842,423	A	12/1998	Stranford	
D416,737	S *	11/1999	Mutrux	D6/567
D474,047	S	5/2003	Lara	
D483,581	S	12/2003	Chang	
7,152,040	B1	12/2006	Hawthorne et al.	
D543,056	S	5/2007	Chou	
D549,672	S	8/2007	Zuo et al.	
D574,438	S	8/2008	Mori	
D584,707	S *	1/2009	Rieu Piquet	D14/129
D588,118	S *	3/2009	Townsend et al.	D14/239
D594,001	S *	6/2009	Sexton	D14/239
7,621,544	B2	11/2009	Rossini	
D612,182	S *	3/2010	Bremmon et al.	D6/567
D614,611	S *	4/2010	Leung	D14/239

D623,878	S *	9/2010	Jacobsen et al.	D6/491
2003/0042830	A1	3/2003	Gregorio	
2006/0238662	A1	10/2006	McGivern et al.	
2009/0294605	A1	12/2009	Smith	

**OTHER PUBLICATIONS**

Christophor Rick (TheSuperGuido), PDP Only Kinect-licensed Third-party Provider, www.gamersdailynews.com, Aug. 24, 2010, 3 pages.

\* cited by examiner

*Primary Examiner* — Elizabeth A Albert

*Assistant Examiner* — Kelley A Donnelly

(74) *Attorney, Agent, or Firm* — Law Offices of David L. Hoffman

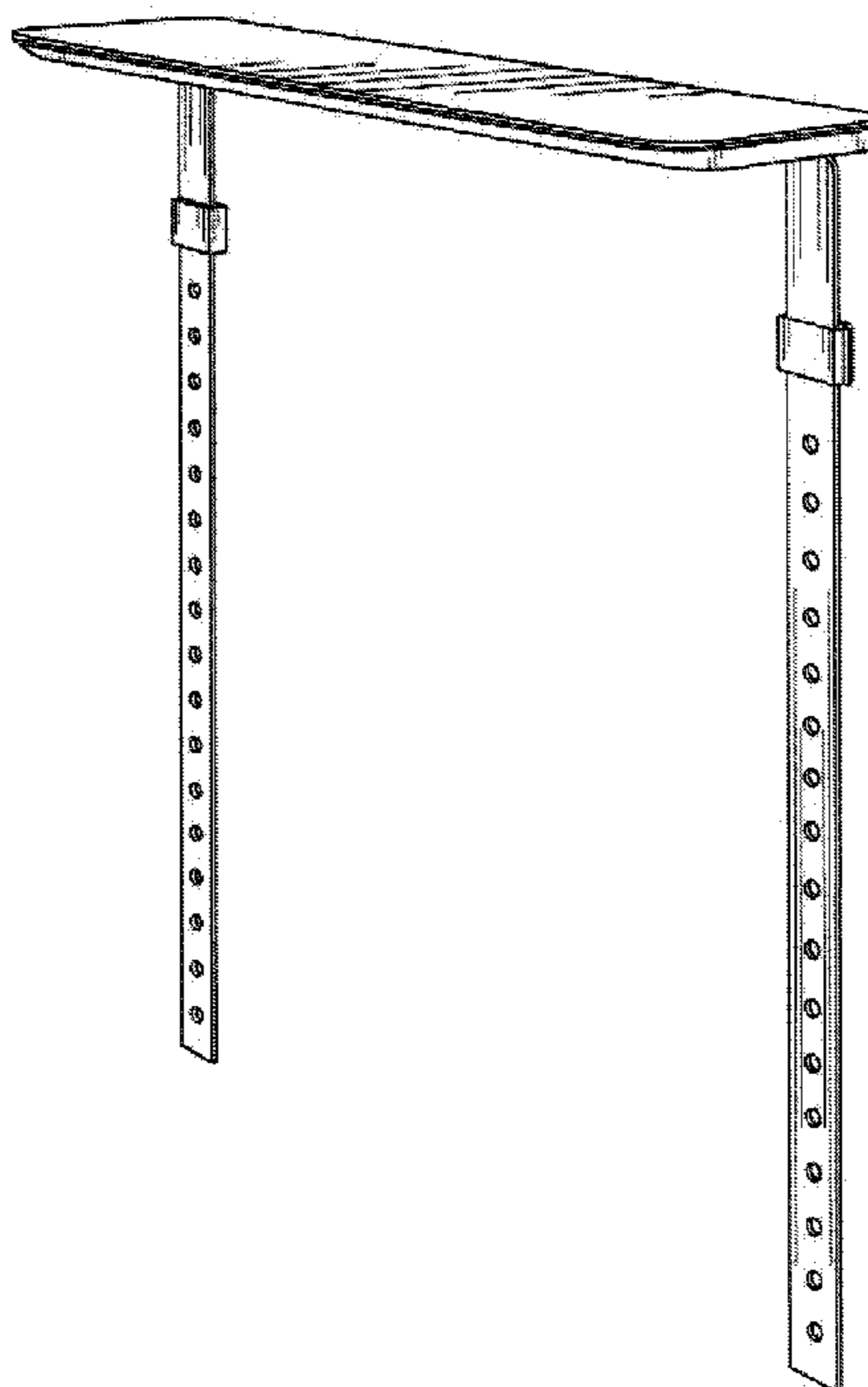
(57) **CLAIM**

The ornamental design for a TV mounted shelf, as shown and described.

**DESCRIPTION**

FIG. 1. is a front perspective view of my TV mounted shelf; FIG. 2. is a front view thereof; FIG. 3. is a rear elevation view thereof; FIG. 4. is a left side view thereof, the right side view being a mirror image thereof; FIG. 5. is a top view thereof; FIG. 6. is a bottom view thereof; and, FIG. 7 is a rear perspective view of the TV mounted shelf shown with a TV in broken lines. The broken lines showing a TV are for the purpose of illustrating the environment of the article and form no part of the claimed design.

**1 Claim, 7 Drawing Sheets**



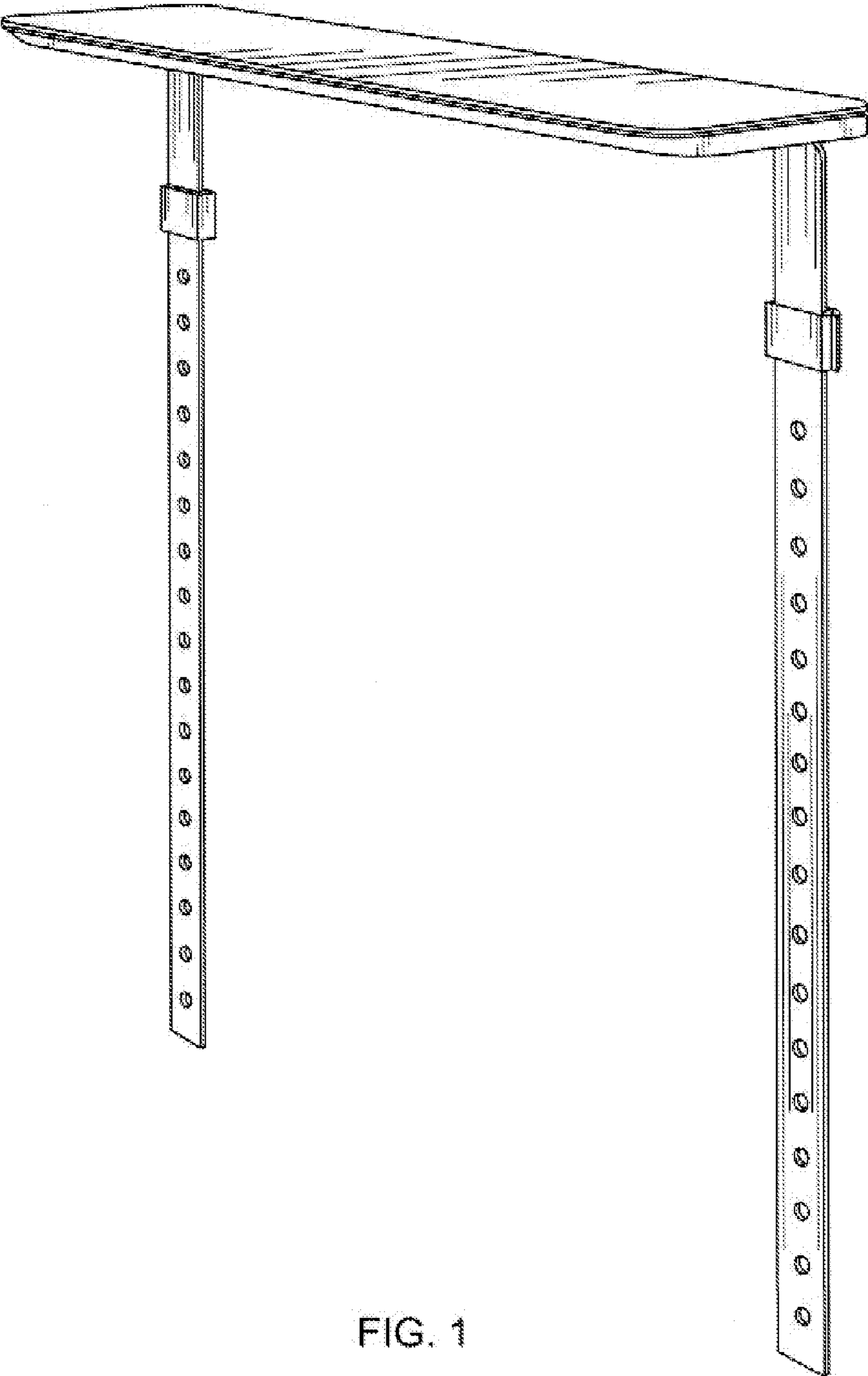


FIG. 1

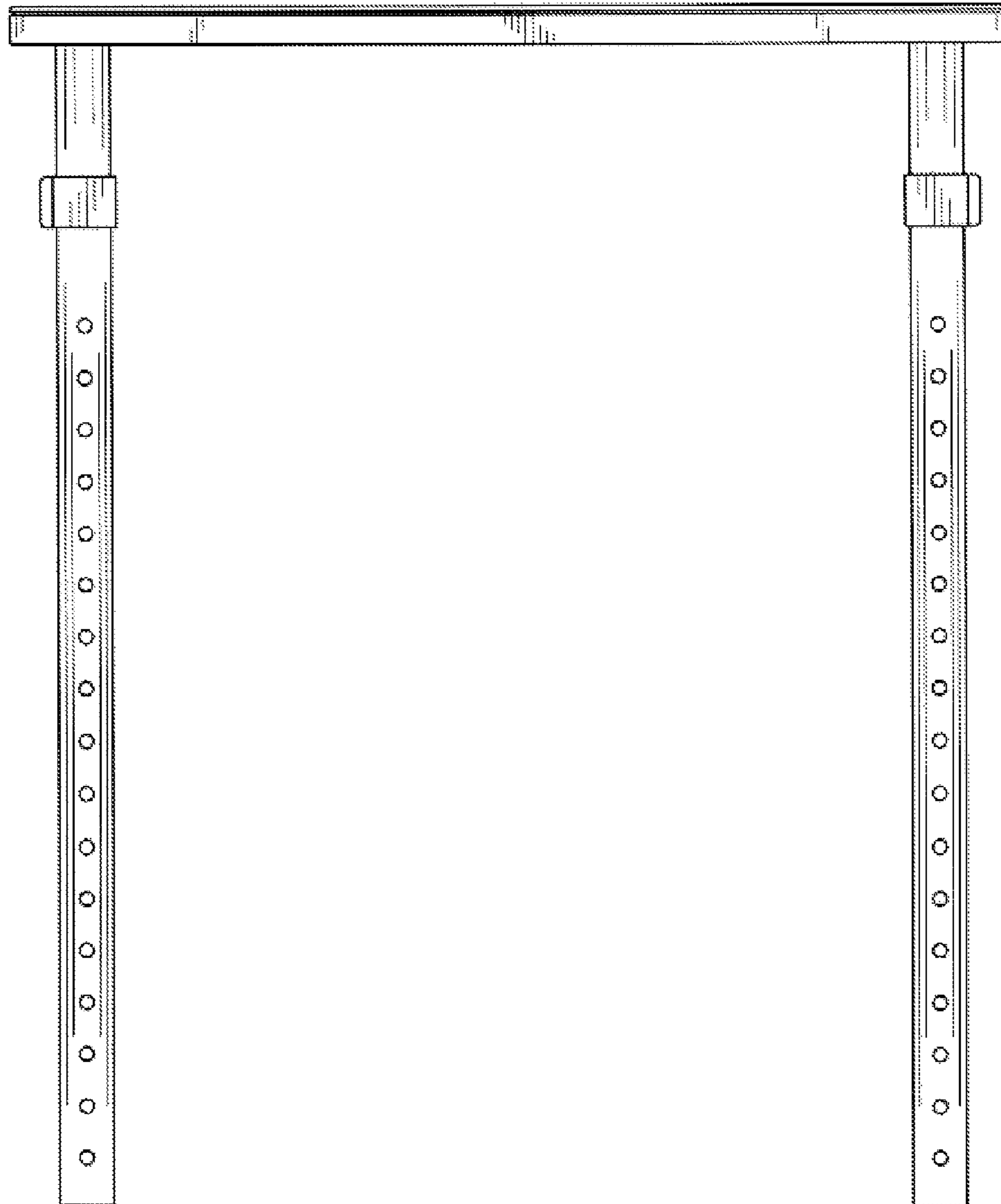


FIG. 2

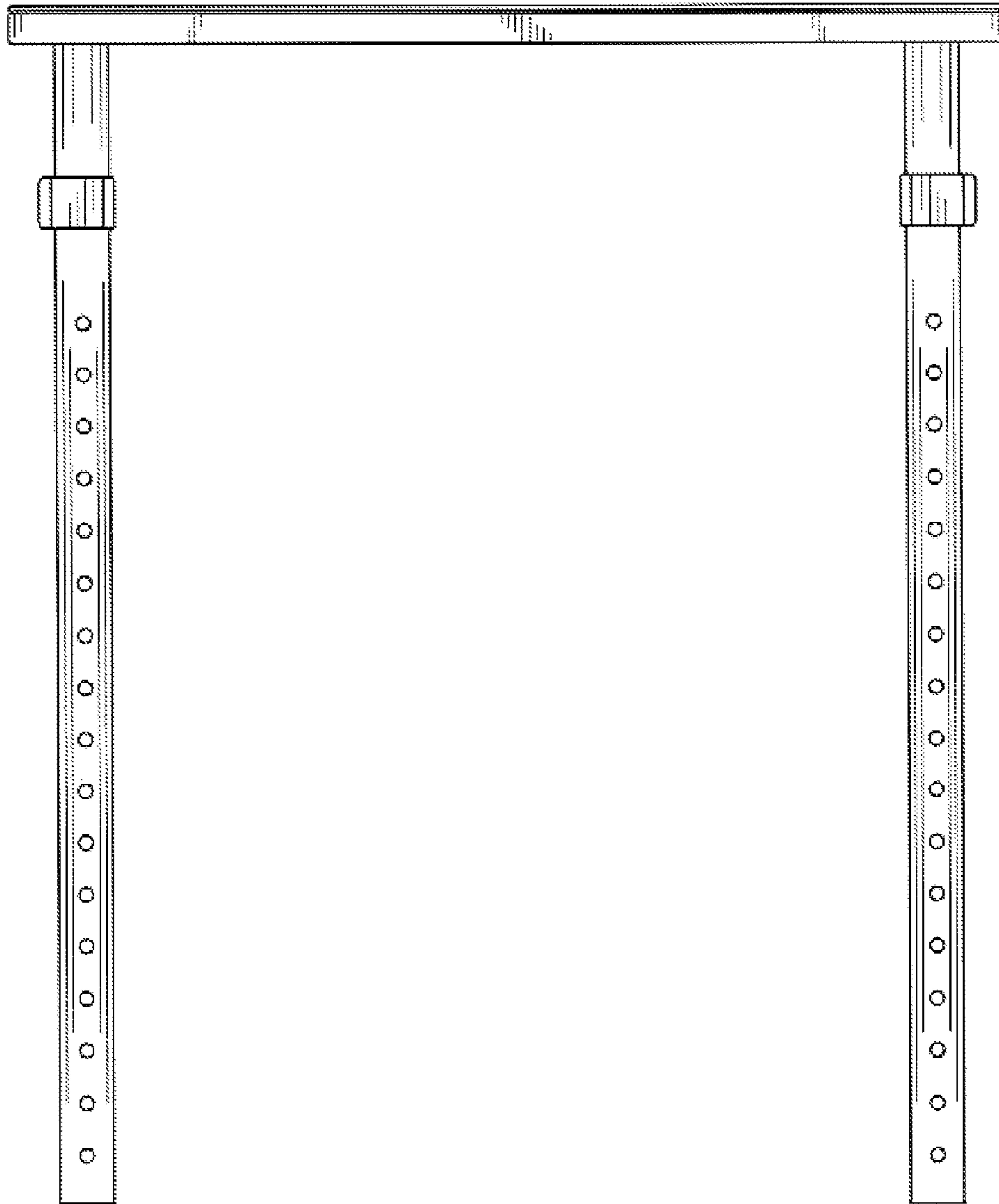


FIG. 3

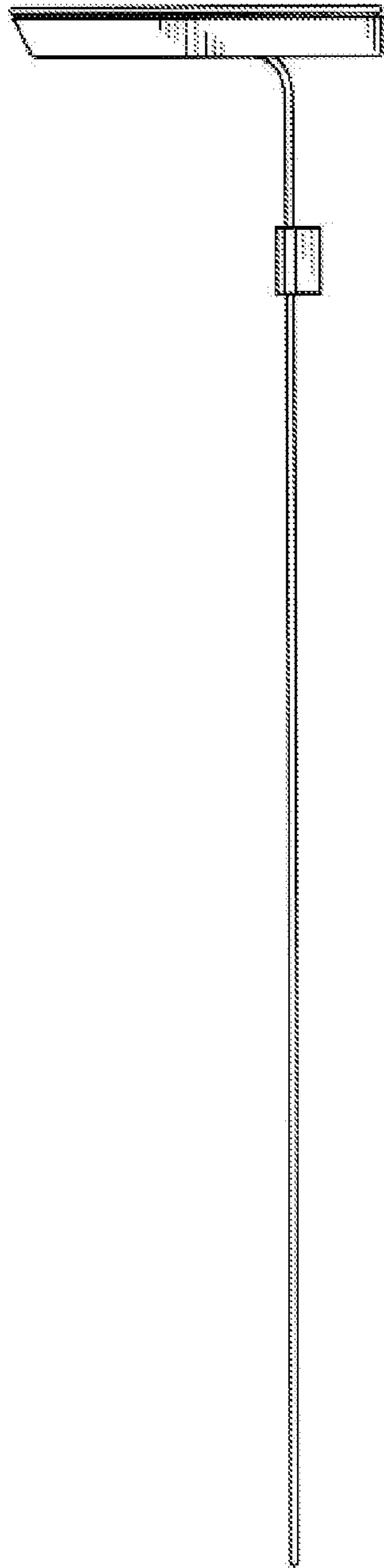


FIG. 4

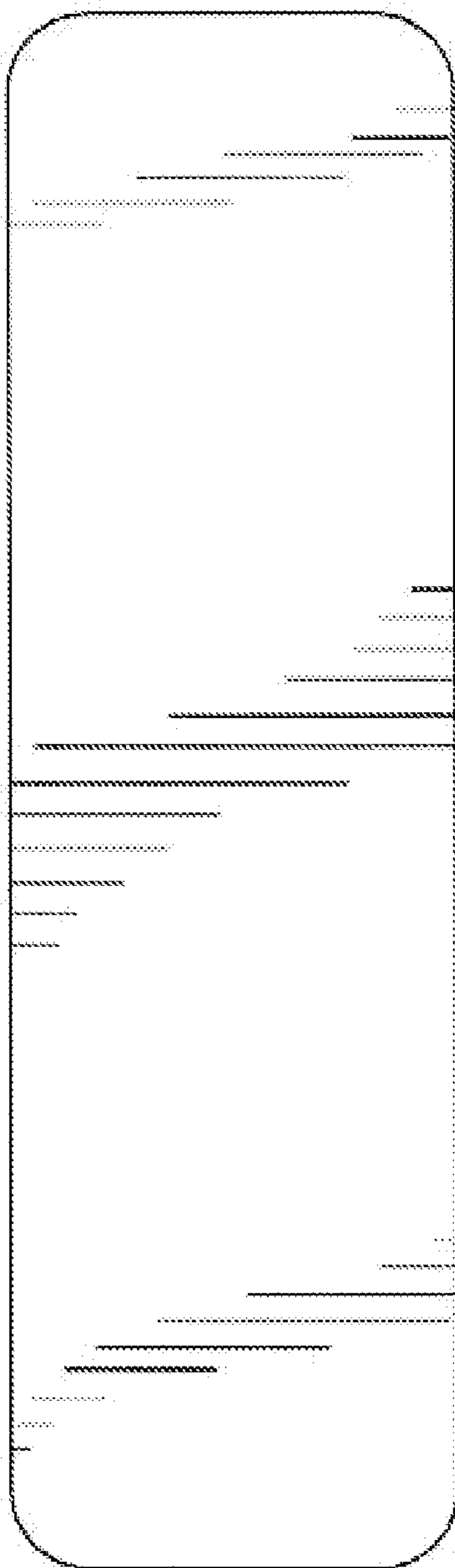


FIG. 5

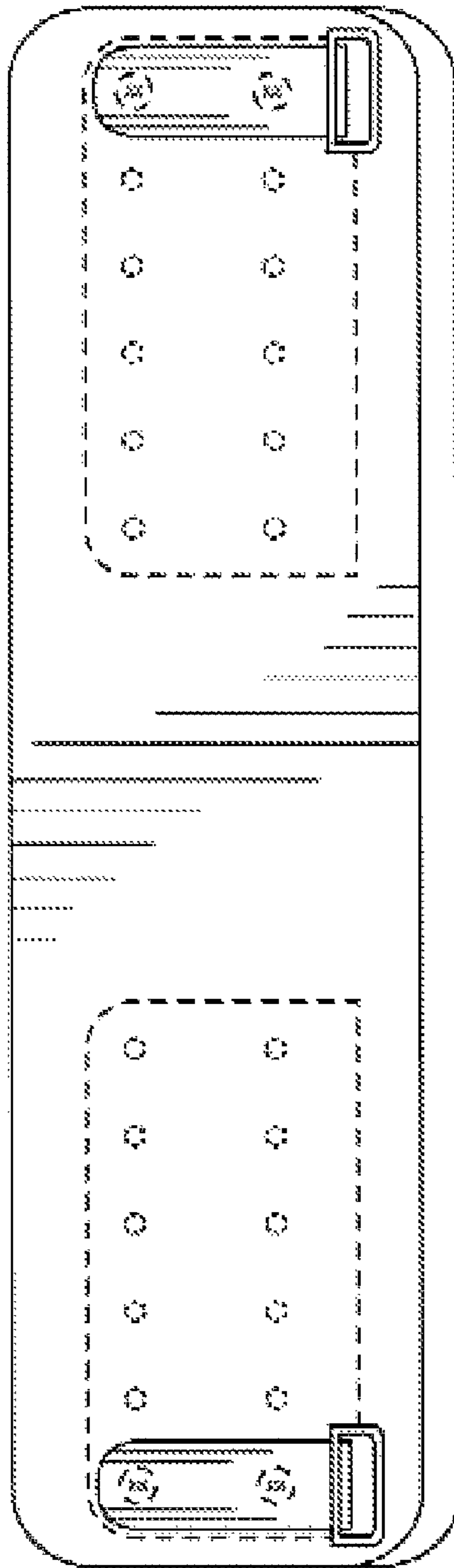


FIG. 6

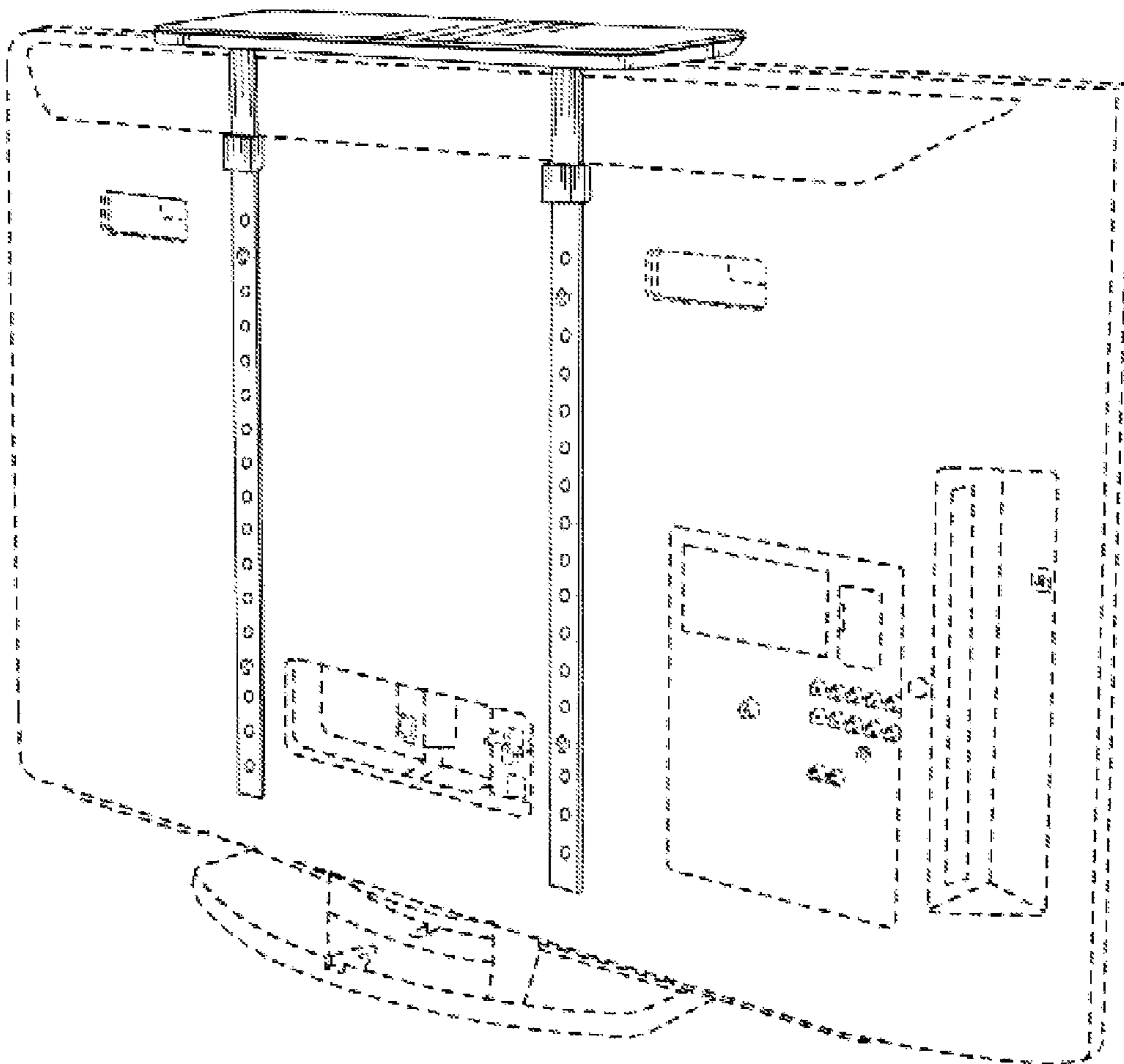


FIG. 7