



US00D635802S

(12) **United States Design Patent**  
**Voron et al.**

(10) **Patent No.:** **US D635,802 S**  
(45) **Date of Patent:** **\*\* Apr. 12, 2011**

(54) **CABINET DOOR**

(75) Inventors: **Vincent Voron**, Duluth, GA (US); **Jae Ho Cha**, Woodstock, GA (US); **Thomas C. Moseley, Jr.**, Dover, MA (US)

(73) Assignee: **The Coca-Cola Company**, Atlanta, GA (US)

(\*\*) Term: **14 Years**

(21) Appl. No.: **29/344,327**

(22) Filed: **Sep. 28, 2009**

(51) **LOC (9) Cl.** ..... **06-06**

(52) **U.S. Cl.** ..... **D6/492**

(58) **Field of Classification Search** ..... D6/432,  
D6/436, 437, 438, 439, 441, 444, 445, 446,  
D6/447, 448, 492, 509; 312/138.1, 204,  
312/224, 237, 257.1, 265.5, 265.6, 348.1,  
312/348.4

See application file for complete search history.

(56) **References Cited**

U.S. PATENT DOCUMENTS

D175,570 S *	9/1955	Stanitz .....	D6/448
D274,107 S *	6/1984	Gordon .....	D6/492
D364,294 S *	11/1995	Brightbill et al. ....	D6/492
D472,734 S *	4/2003	Goss .....	D6/448
D517,345 S *	3/2006	Verbeek et al. ....	D6/441

\* cited by examiner

*Primary Examiner* — Mimoso De

(74) *Attorney, Agent, or Firm* — Michael J. Kline

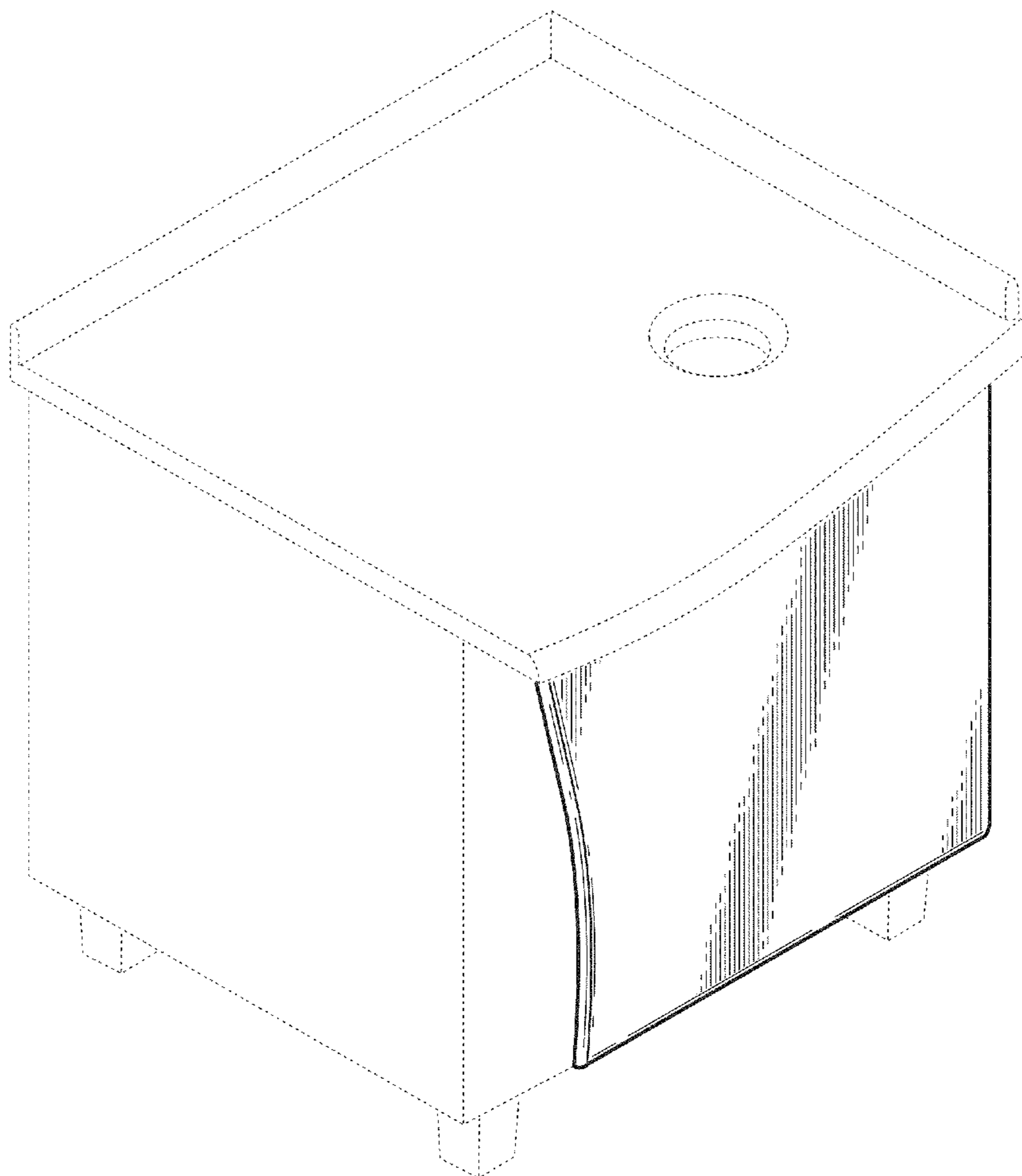
(57) **CLAIM**

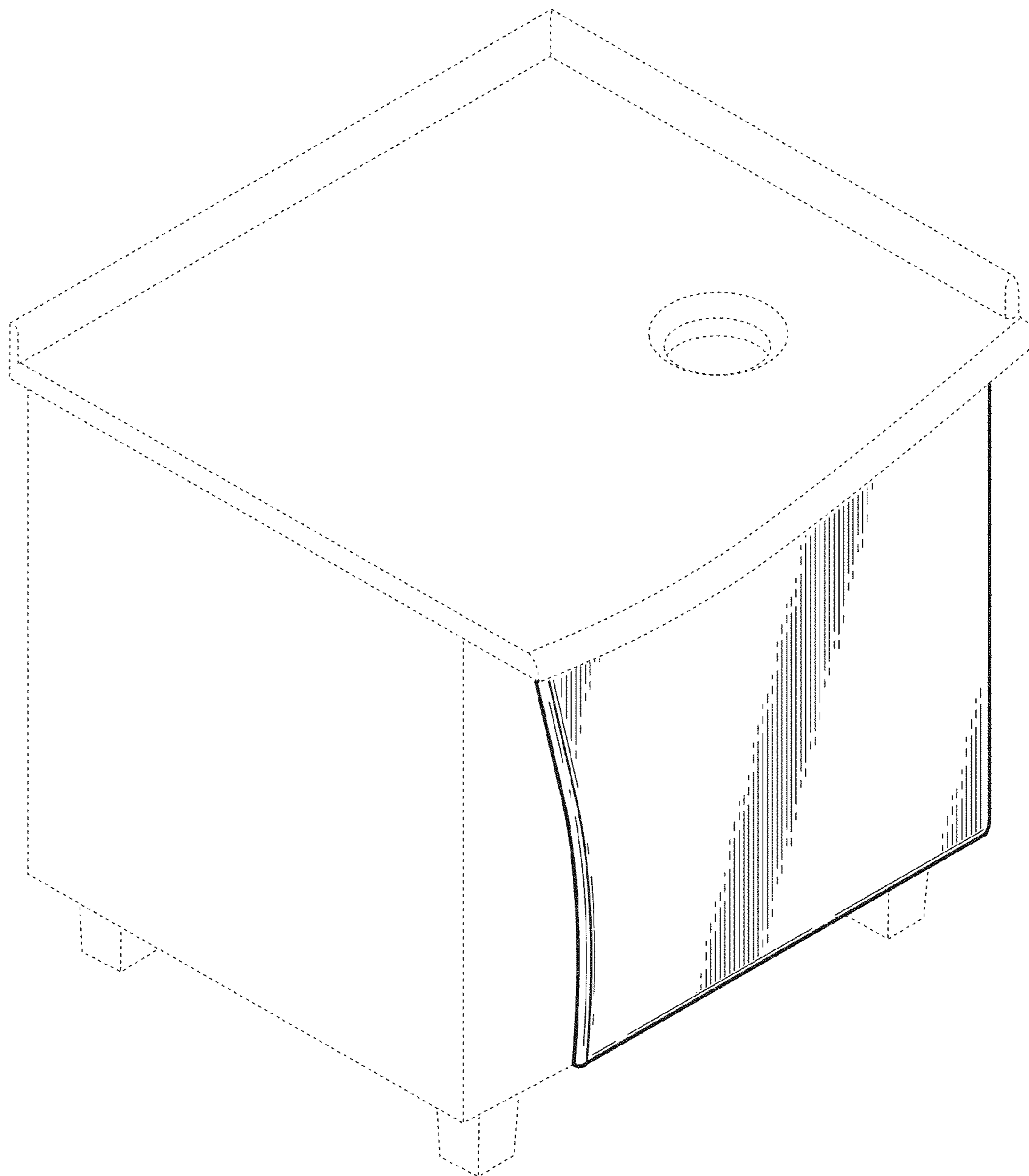
We claim the ornamental design for a cabinet door, as shown and described.

**DESCRIPTION**

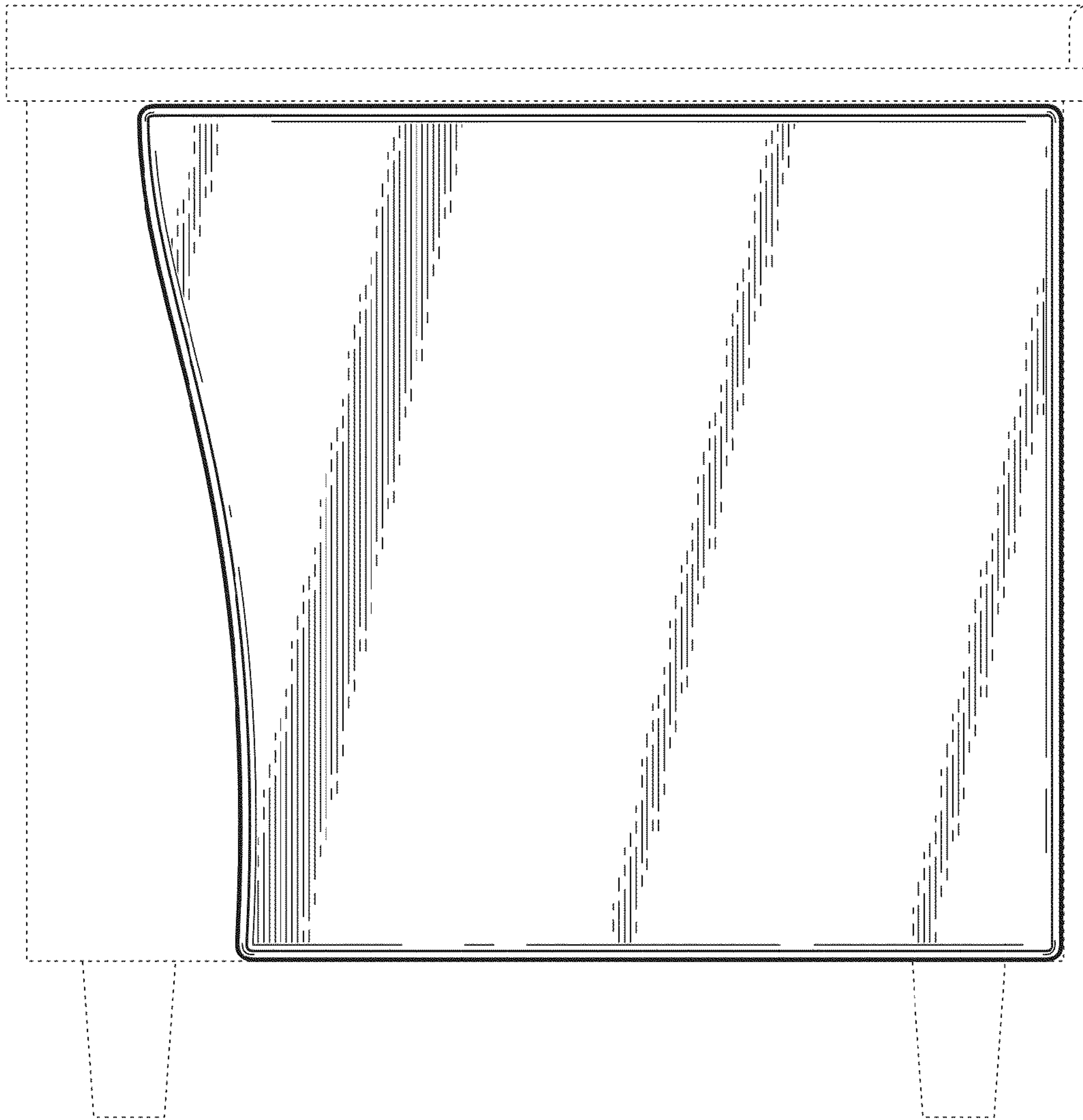
FIG. 1 is a top front left side perspective view of a cabinet door showing our new design; FIG. 2 is a front elevational view thereof; and, FIG. 3 is a bottom plan view thereof. The broken lines in the drawings are for illustrative purposes only and form no part of the claimed design.

**1 Claim, 3 Drawing Sheets**

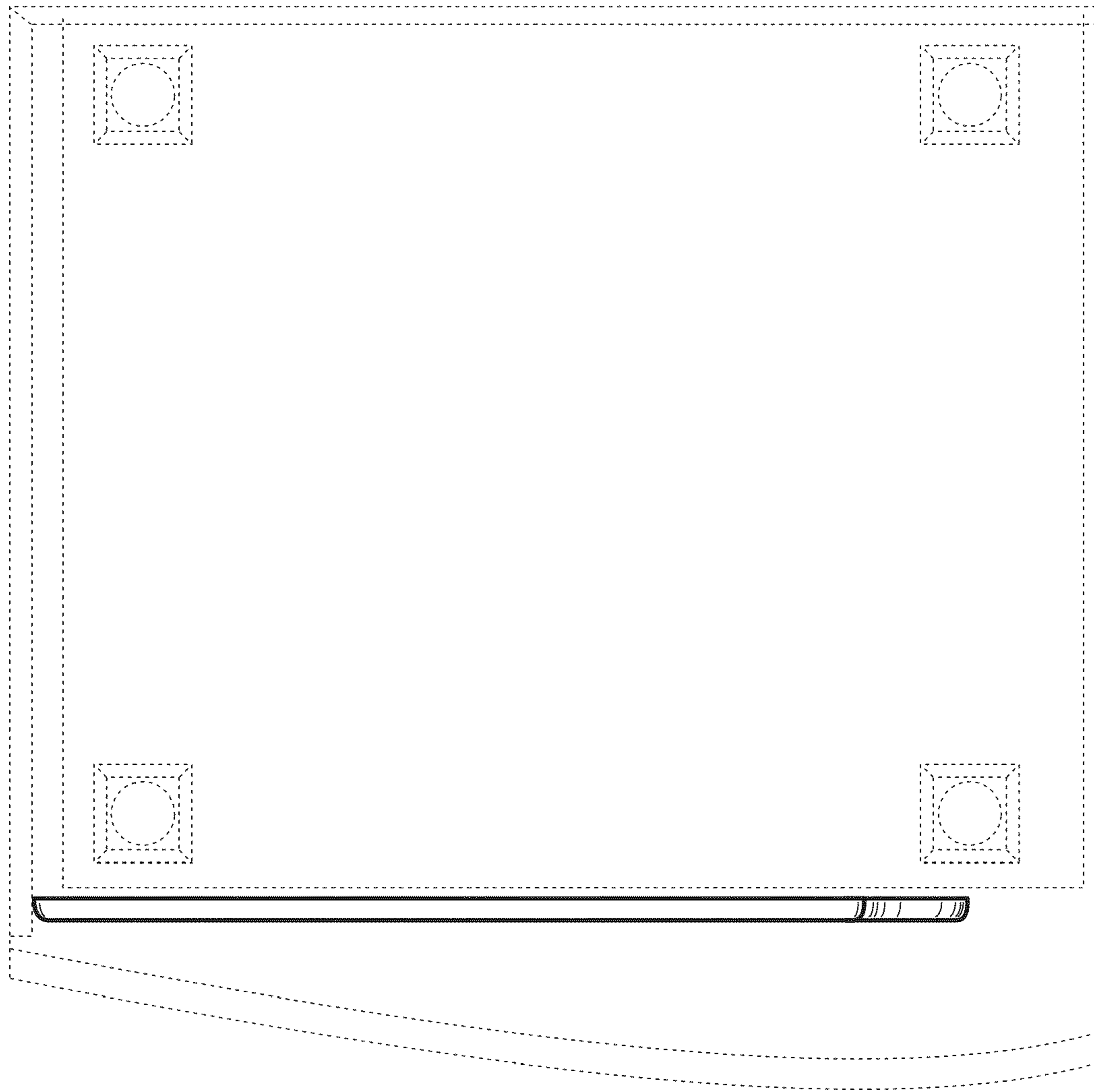




**FIG. 1**



**FIG. 2**



**FIG. 3**