



US00D635801S

(12) **United States Design Patent**
Stubis

(10) **Patent No.:** **US D635,801 S**

(45) **Date of Patent:** **** Apr. 12, 2011**

(54) **SPINNER DISPLAY UNIT**
(75) Inventor: **Amber Stubis**, Chicago, IL (US)
(73) Assignee: **Chicago Display Marketing Corporation**, River Grove, IL (US)

D486,982 S * 2/2004 Hessell D6/479
D526,818 S 8/2006 Sparkowski
D534,375 S * 1/2007 Sparkowski D6/465
D537,655 S * 3/2007 Hessell D6/468
D565,324 S 4/2008 Sparkowski
D573,811 S * 7/2008 Weigand D6/468

* cited by examiner

(**) Term: **14 Years**

Primary Examiner — Mary Ann Calabrese

(21) Appl. No.: **29/375,156**

(74) *Attorney, Agent, or Firm* — Michael Best & Friedrich LLP

(22) Filed: **Sep. 17, 2010**

(57) **CLAIM**

(51) **LOC (9) Cl.** **06-04**

I claim the ornamental design for a spinner display unit, as shown and described.

(52) **U.S. Cl.** **D6/461**

(58) **Field of Classification Search** D6/396,
D6/449, 450, 453–469, 471, 473, 474, 477,
D6/479; 211/1, 13.1, 42, 43, 49.1, 50, 52,
211/53, 55, 56, 58, 59.2, 59.4, 60.1, 70.3,
211/85.2, 85.8, 90.03, 134, 135, 144, 153,
211/163, 164, 169, 186, 189; 108/105, 108
See application file for complete search history.

DESCRIPTION

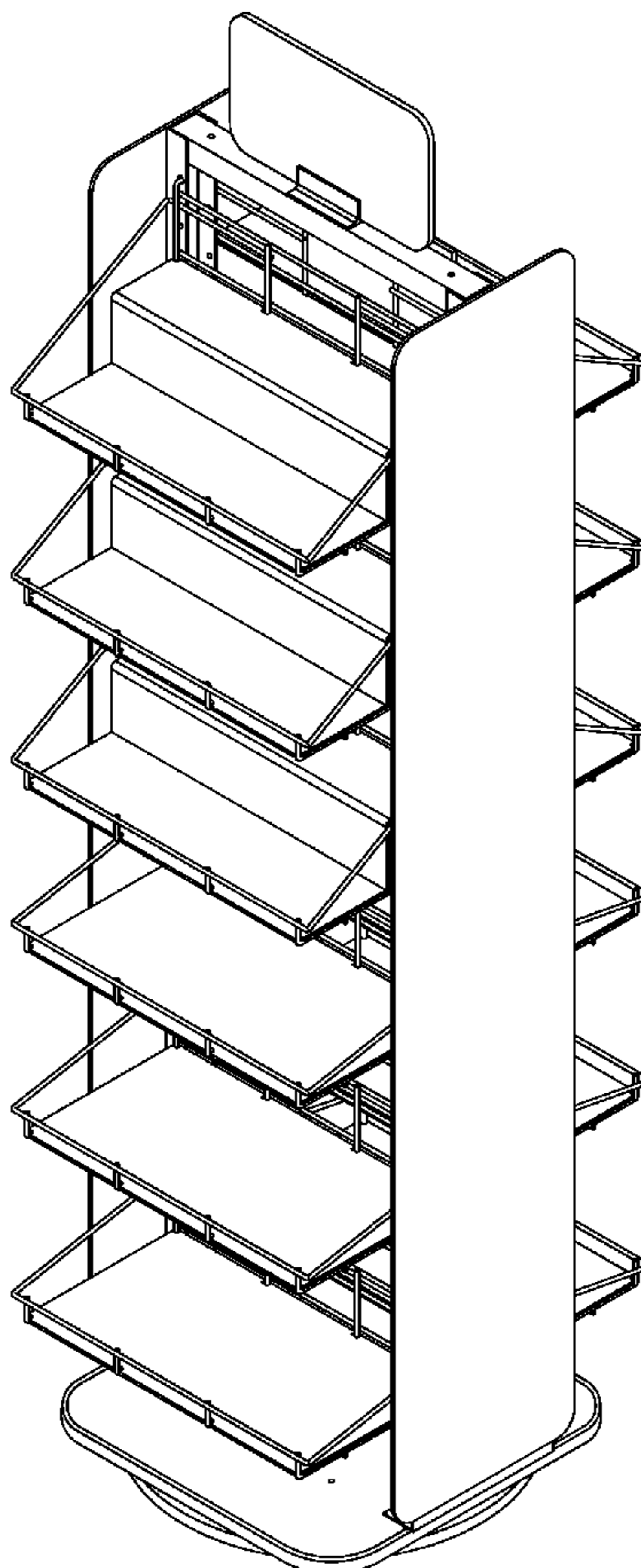
FIG. 1 is a front view of a spinner display unit embodying the present invention, the back view being a mirror image thereof. FIG. 2 is a left side view of the spinner display unit shown in FIG. 1, the right side view being a mirror image thereof. FIG. 3 is an enlarged top view of the spinner display unit shown in FIG. 1. FIG. 4 is an enlarged bottom view of the spinner display unit shown in FIG. 1; and, FIG. 5 is a perspective view of the spinner display unit shown in FIG. 1.

(56) **References Cited**

U.S. PATENT DOCUMENTS

D116,562 S * 9/1939 Houle D6/473
3,081,718 A * 3/1963 Shoffner 108/108
D333,050 S * 2/1993 Schubert D6/473
5,240,127 A * 8/1993 Levin et al. 211/186

1 Claim, 4 Drawing Sheets



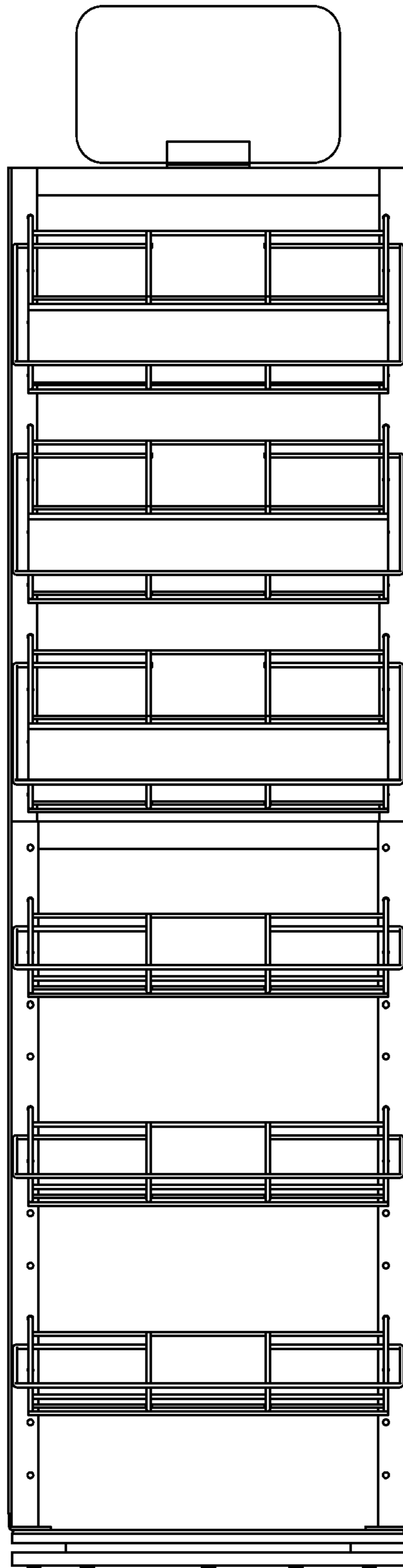


FIG. 1

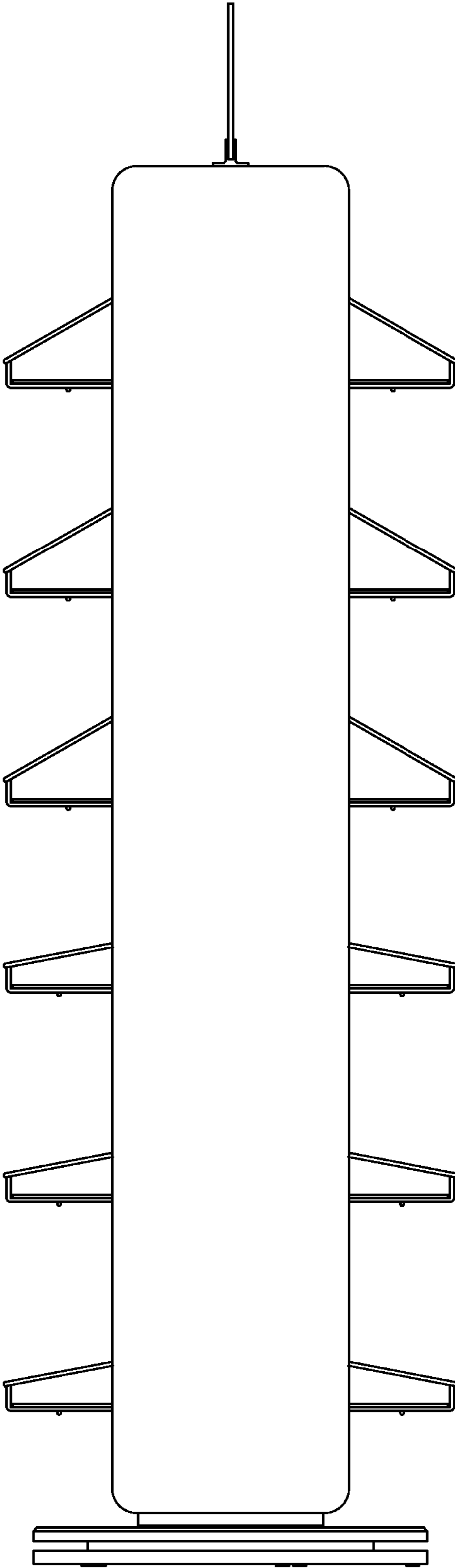


FIG. 2

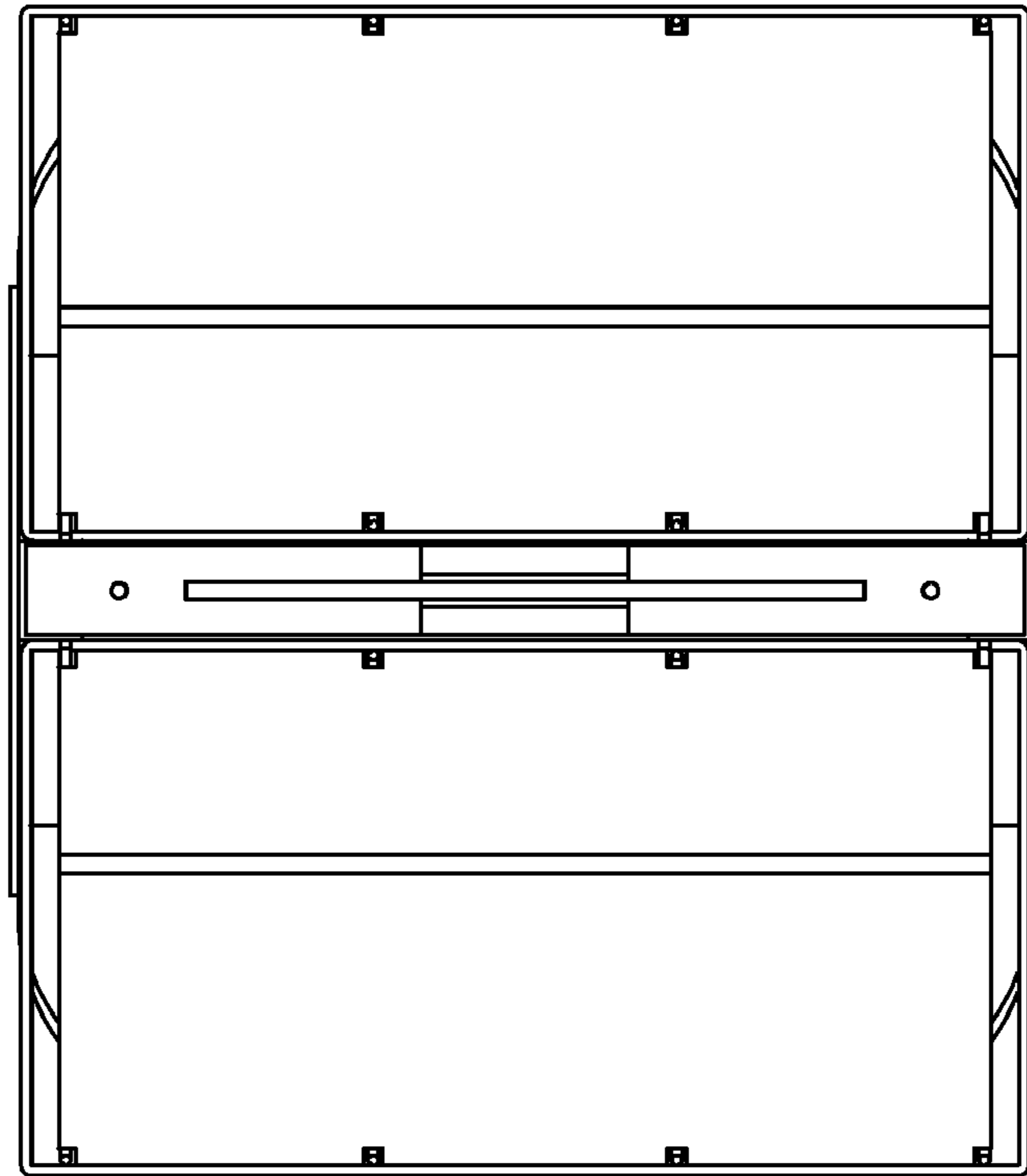


FIG. 3

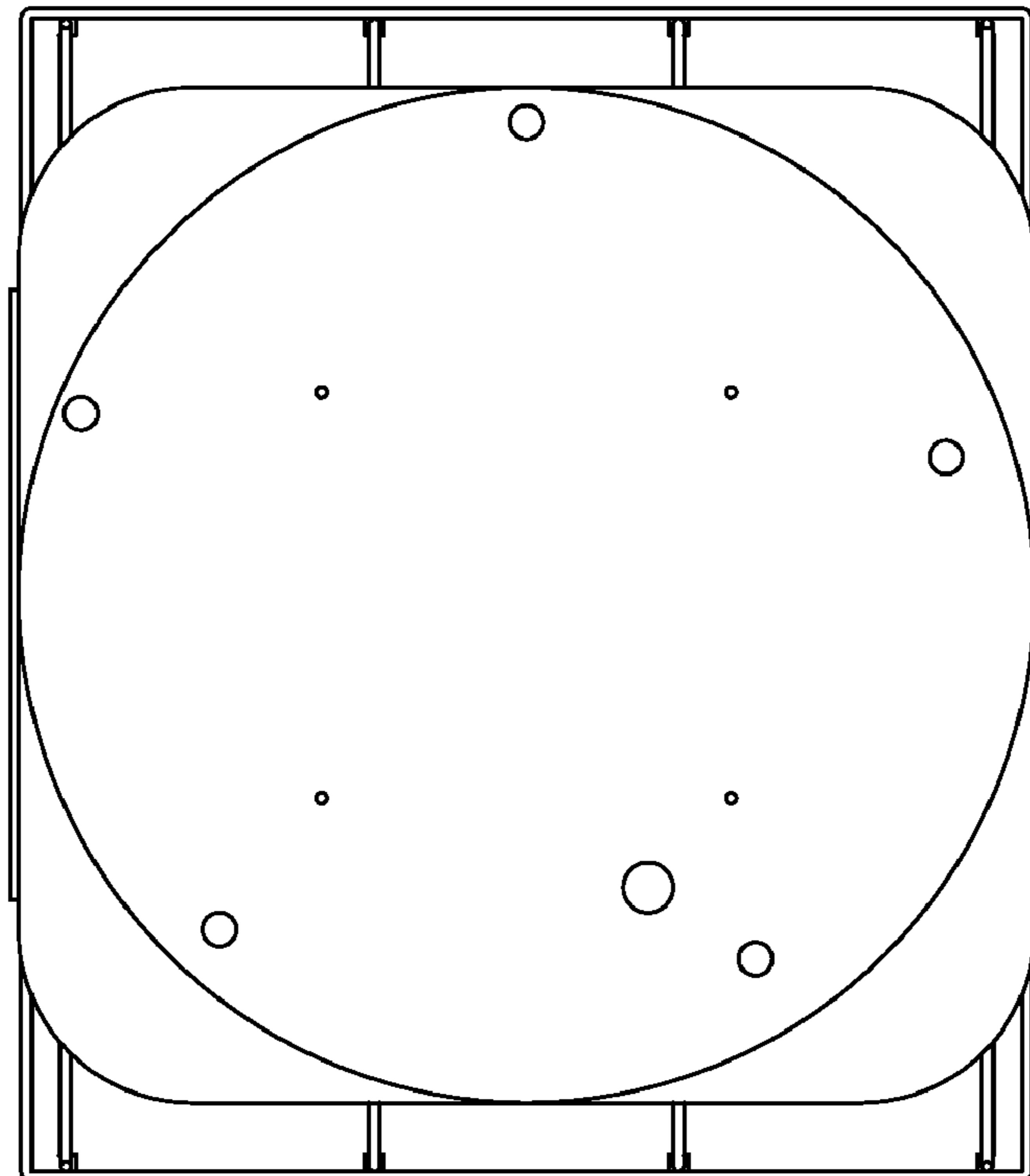


FIG. 4

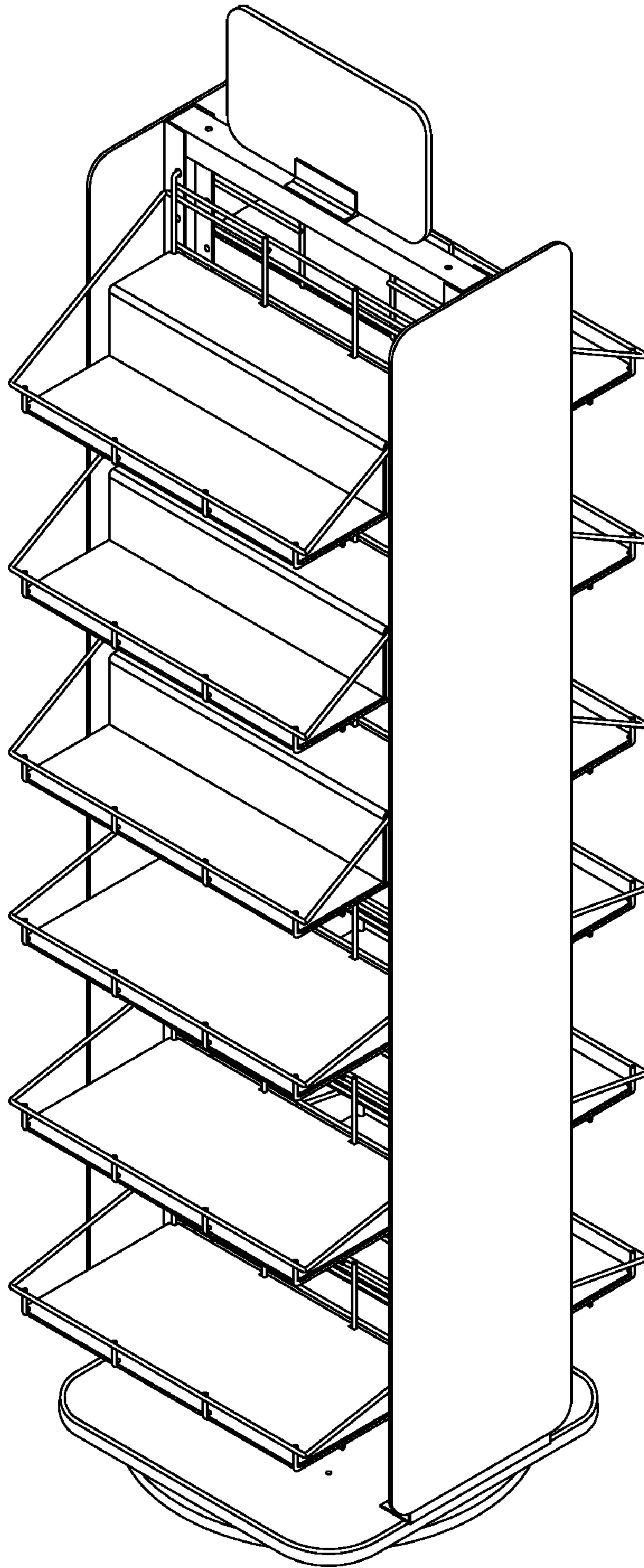


FIG. 5