



US00D635799S

(12) **United States Design Patent**
Snider

(10) **Patent No.:** **US D635,799 S**

(45) **Date of Patent:** **** *Apr. 12, 2011**

(54) **STACKABLE HOLDER FOR COFFEE PODS**

(75) Inventor: **Martin Snider**, New City, NY (US)

(73) Assignee: **MSA Products, Inc.**, Nyack, NY (US)

(*) Notice: This patent is subject to a terminal disclaimer.

(**) Term: **14 Years**

(21) Appl. No.: **29/345,760**

(22) Filed: **Oct. 22, 2009**

(51) **LOC (9) Cl.** **06-04**

(52) **U.S. Cl.** **D6/449; D7/601**

(58) **Field of Classification Search** D6/449,
D6/474, 462-467, 537, 349, 407, 476, 475,
D6/566; 211/181, 182, 13, 90.01; D23/401,
D23/398; D32/55, 58; D30/133, 131

See application file for complete search history.

(56) **References Cited**

U.S. PATENT DOCUMENTS

D180,011 S *	4/1957	Brunig	D23/401
D192,477 S *	3/1962	Chapman	D32/55
D247,344 S *	2/1978	Smith	D23/398
D267,464 S *	1/1983	Hassett et al.	D23/398
D311,953 S *	11/1990	Martinson	D23/398
D358,507 S *	5/1995	Goodman et al.	D6/462
D371,228 S *	6/1996	Monin	D30/121

5,588,543 A *	12/1996	Finger	211/90.01
D414,306 S *	9/1999	Hollinger	D32/55
D472,681 S *	4/2003	Melius	D30/133
D548,896 S *	8/2007	Stewart	D30/131

OTHER PUBLICATIONS

Page 31 of Green Mountain Coffee Summer 2009 Catalogue.

* cited by examiner

Primary Examiner — Philip S Hyder

Assistant Examiner — Sydney R Buffalow

(74) *Attorney, Agent, or Firm* — Gerald E. Hespos; Michael J. Porco

(57) **CLAIM**

The ornamental design of a stackable holder for coffee pods, as shown and described.

DESCRIPTION

FIG. 1 is a perspective view of a stackable holder for coffee pods in accordance with my design.

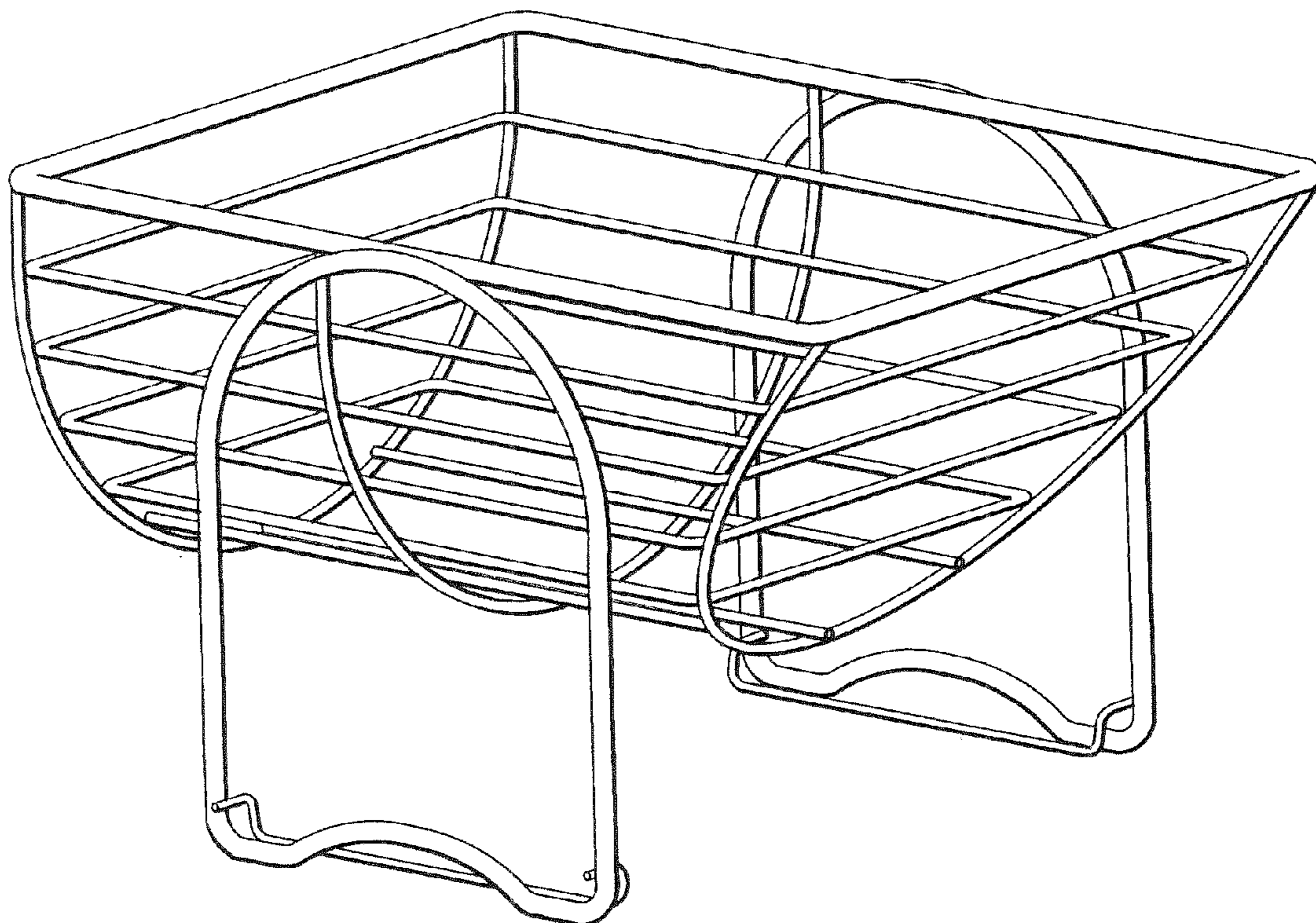
FIG. 2 is top plan view thereof;

FIG. 3 is a side elevational view thereof as viewed from the right side of FIG. 1 with the left side elevational view being a mirror image thereof;

FIG. 4 is a front elevational view thereof; and,

FIG. 5 is a bottom plan view thereof.

1 Claim, 3 Drawing Sheets



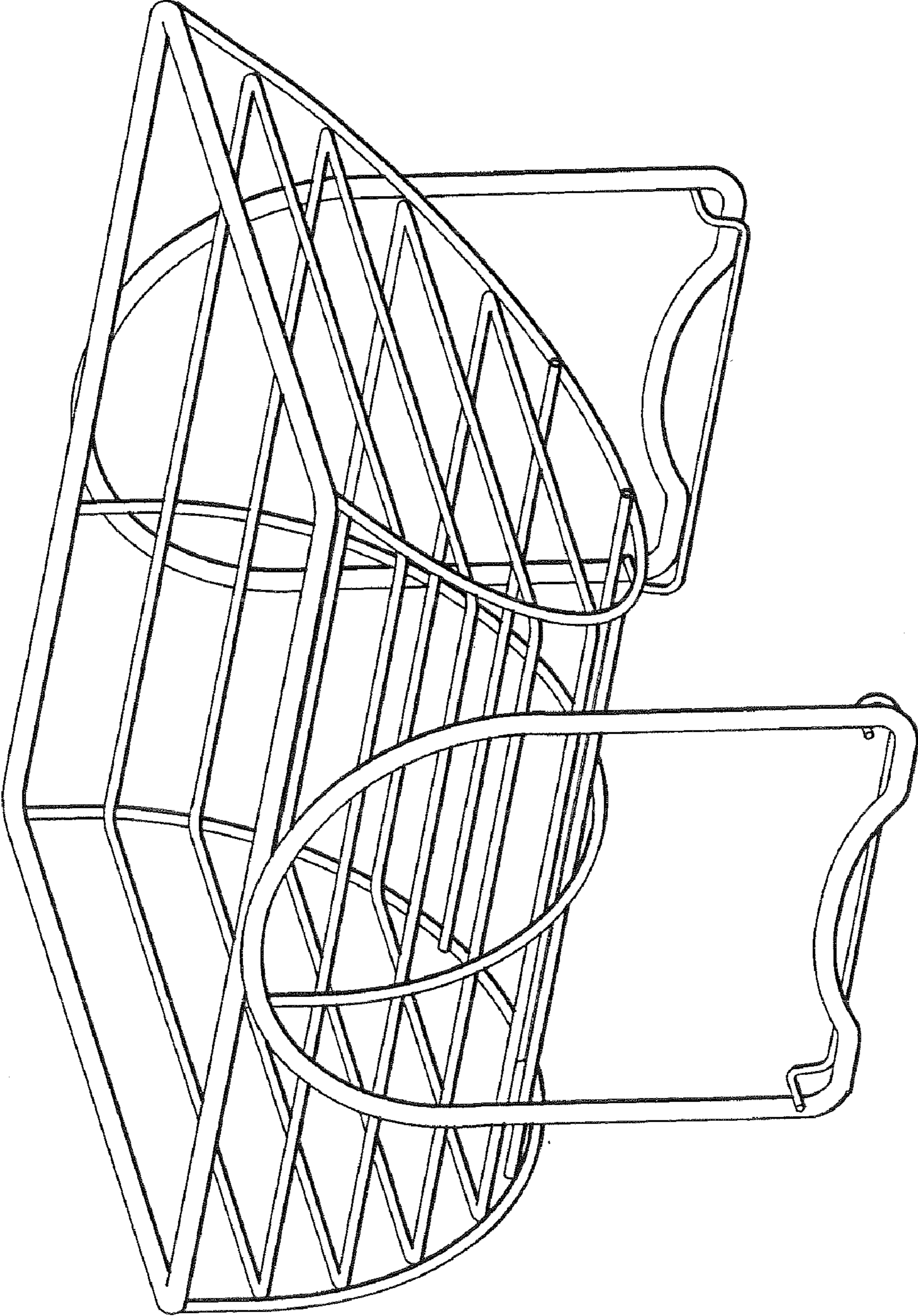


FIG. 1

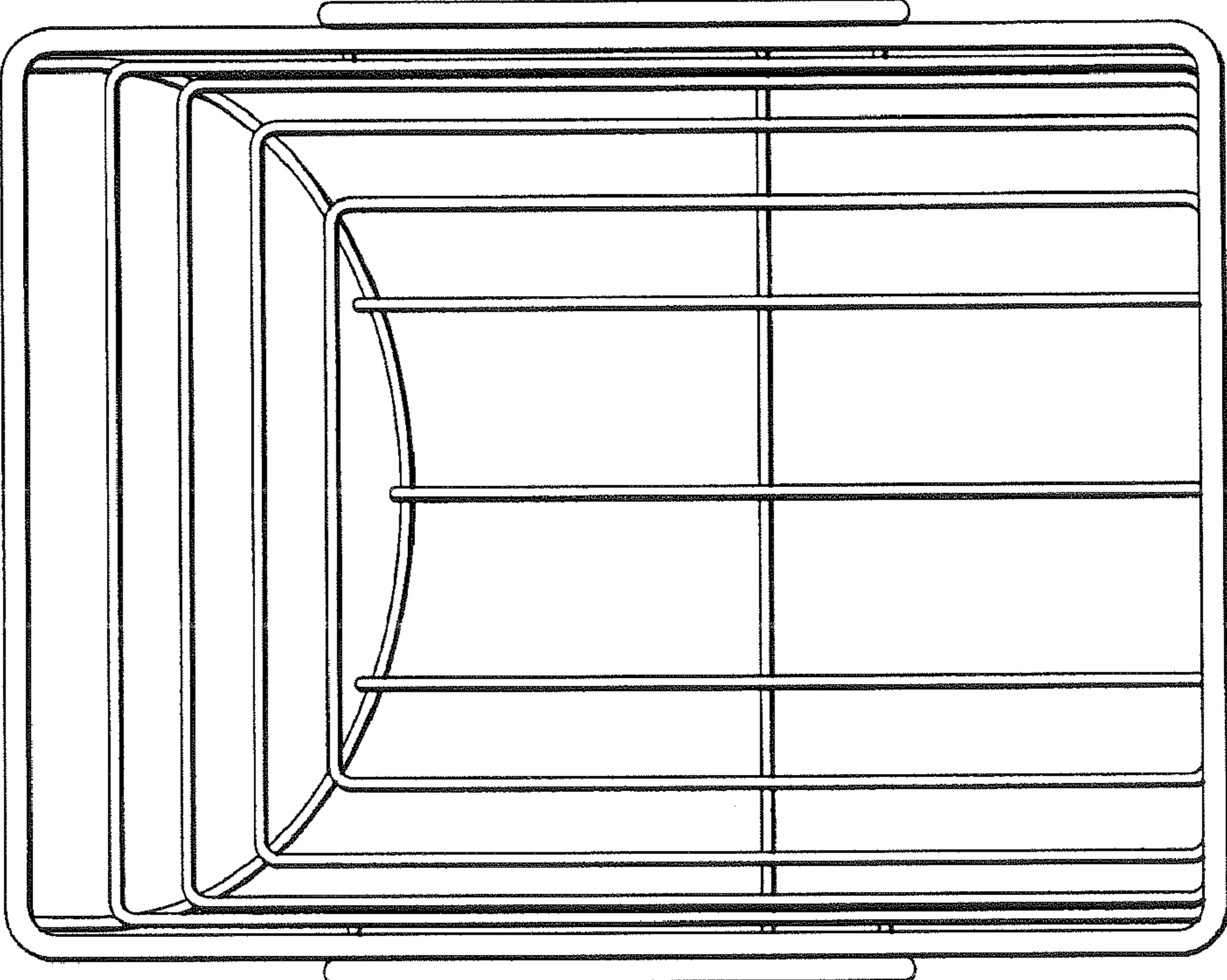


FIG. 2

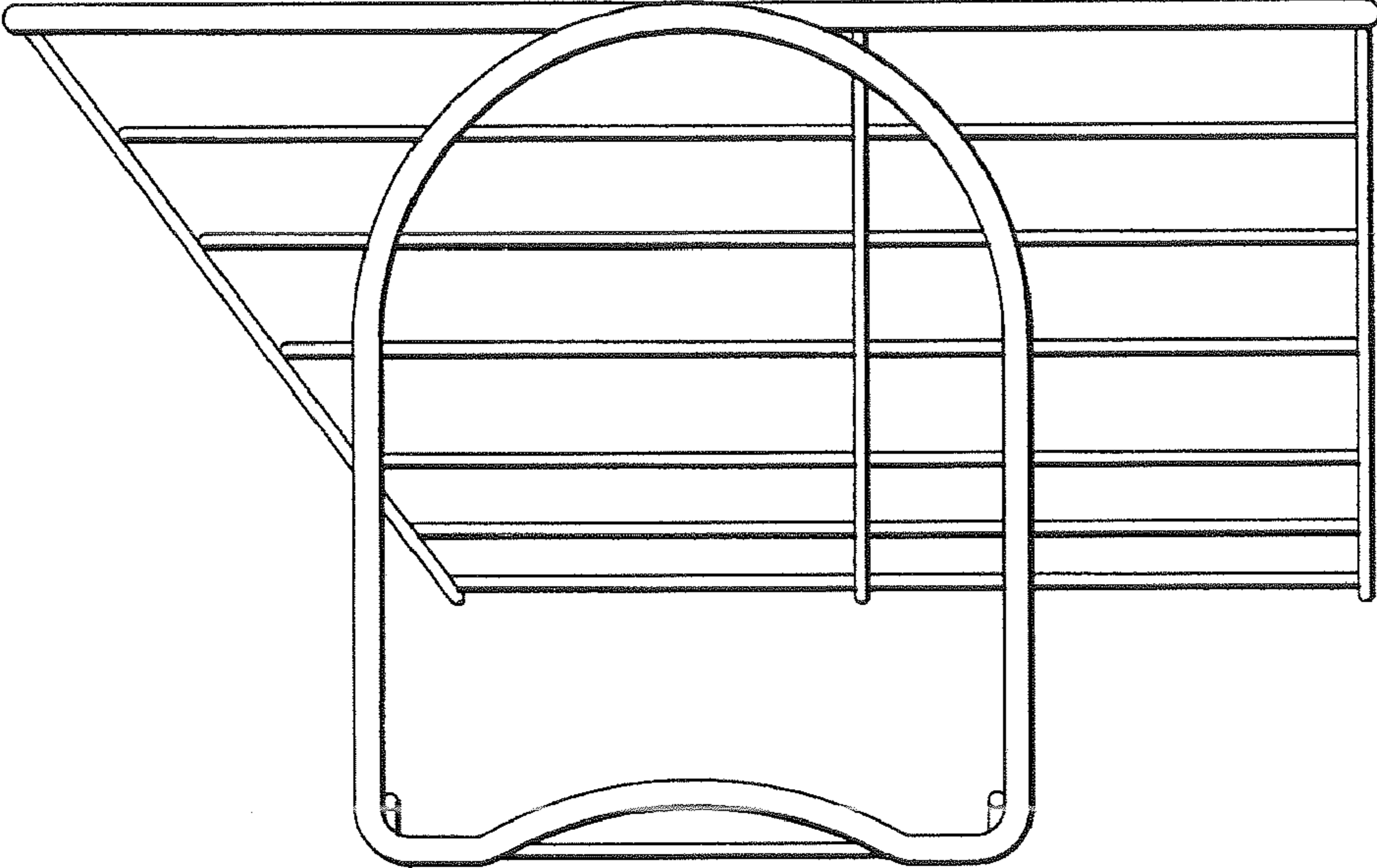


FIG. 3

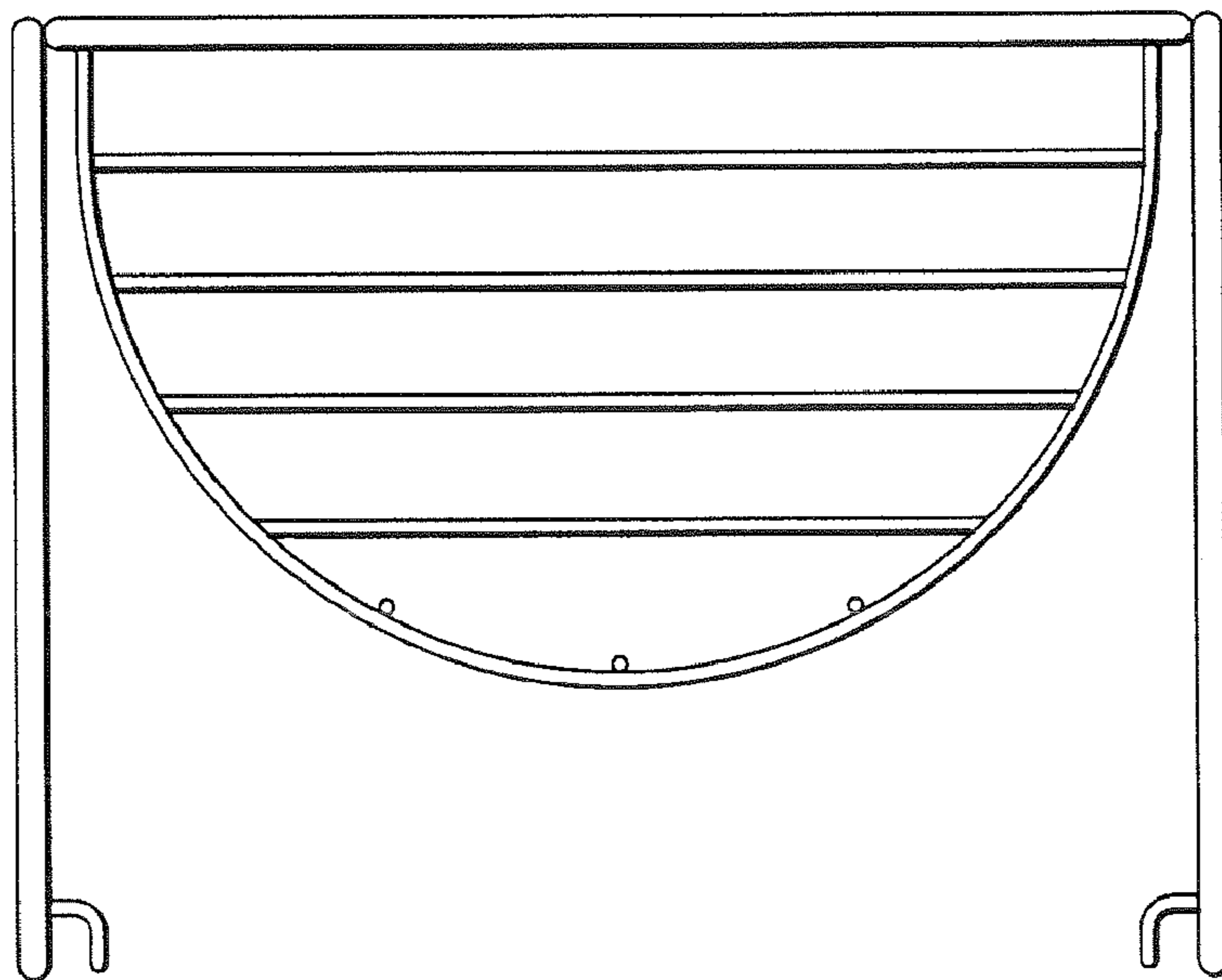


FIG. 4

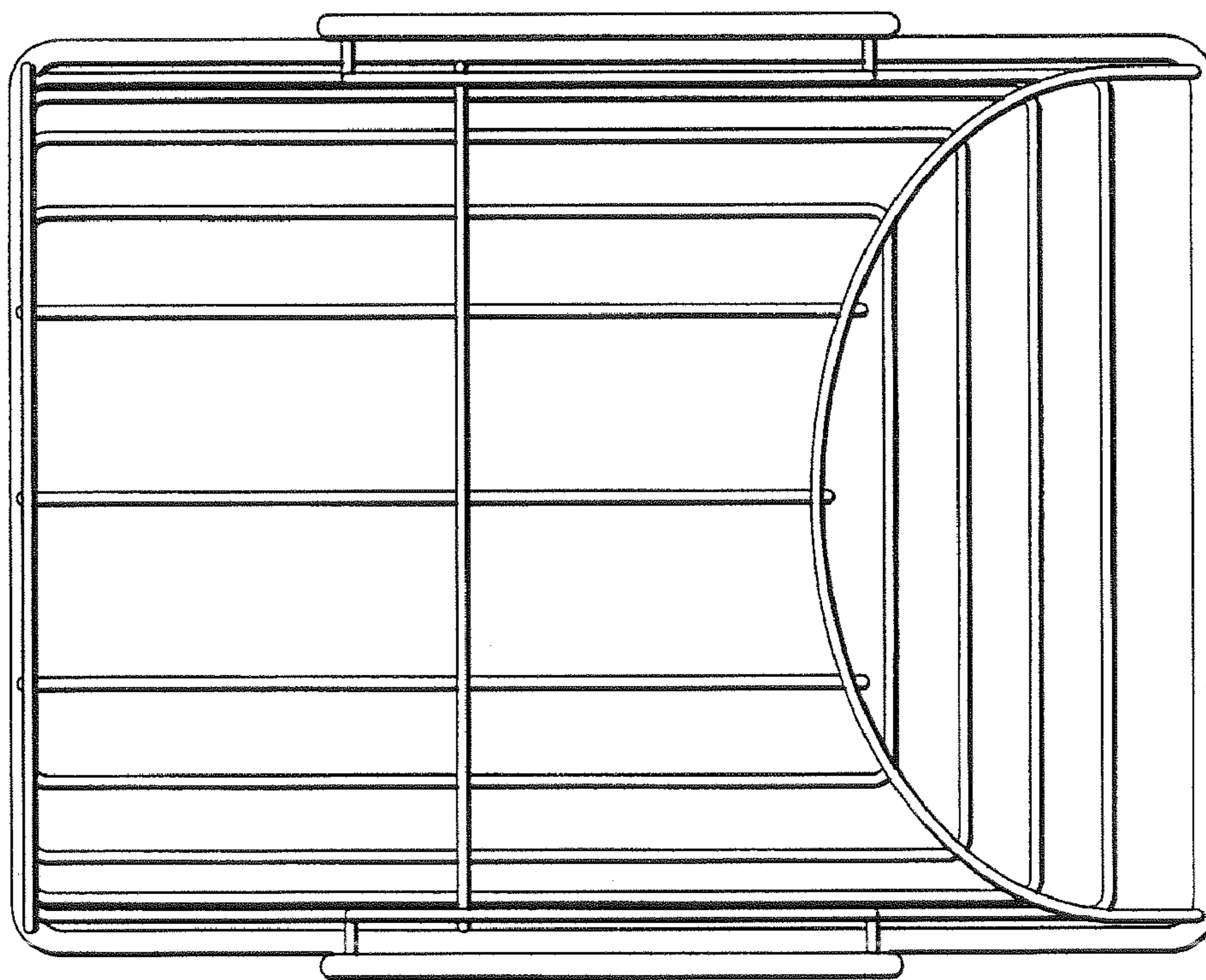


FIG. 5