



US00D635797S

(12) **United States Design Patent**
Xingyin

(10) **Patent No.:** **US D635,797 S**

(45) **Date of Patent:** **** Apr. 12, 2011**

(54) **FOLDABLE COMPUTER DESK**

(75) Inventor: **Yang Xingyin**, Shenzhen (CN)

(73) Assignees: **The Next Success, Inc. (CA); Shenzhen Champion Industry Co., Ltd. (CN)**

(**) Term: **14 Years**

(21) Appl. No.: **29/324,035**

(22) Filed: **Sep. 4, 2008**

(51) **LOC (9) Cl.** **06-03**

(52) **U.S. Cl.** **D6/420; D6/429; D6/487**

(58) **Field of Classification Search** D6/480-489,
D6/495-499, 429-431, 420, 312; 108/153.1,
108/155, 156, 161, 50.01, 50.02, 65, 66,
108/67, 69, 70, 78, 63, 2, 9, 116, 124; 248/188,
248/188.1, 188.8, 188.5, 441.1, 454, 460,
248/463

See application file for complete search history.

(56) **References Cited**

U.S. PATENT DOCUMENTS

3,141,260	A *	7/1964	Dompieri	248/455
3,232,248	A *	2/1966	Gelb	108/2
4,313,589	A *	2/1982	Vega	248/558
D269,395	S *	6/1983	Kapp	D6/420
4,726,556	A *	2/1988	Weir	248/454
D368,165	S *	3/1996	Foster	D6/311
5,542,360	A *	8/1996	Fleming	108/44
D475,219	S *	6/2003	McClure et al.	D6/421
D501,336	S *	2/2005	Lin	D6/429

* cited by examiner

Primary Examiner — Janice E Seeger

(74) *Attorney, Agent, or Firm* — Hayes Soloway P.C.

(57) **CLAIM**

The ornamental design for a foldable computer desk, as shown and described.

DESCRIPTION

FIG. 1 is a perspective view of a foldable computer desk from the front, left side and above, in a fully deployed state, with the beverage holder extended and in a horizontal orientation in accordance with my design;

FIG. 2 is a perspective view of my design from the front, left side and above, in a partially folded and collapsed state, with the beverage holder retracted;

FIG. 3 is a perspective view of my design from the front, left side and above, in a partially folded and collapsed state, with the beverage holder retracted and the lower legs folded to meet with the upper legs;

FIG. 4 is a perspective view of my design from the rear, left side and below, in the folded and collapsed state of FIG. 3;

FIG. 5 is a perspective view of my design from the rear, left side and below, in a completely folded and collapsed state;

FIG. 6 is a top view showing the desk in deployed state;

FIG. 7 is a front view thereof;

FIG. 8 is a bottom view thereof;

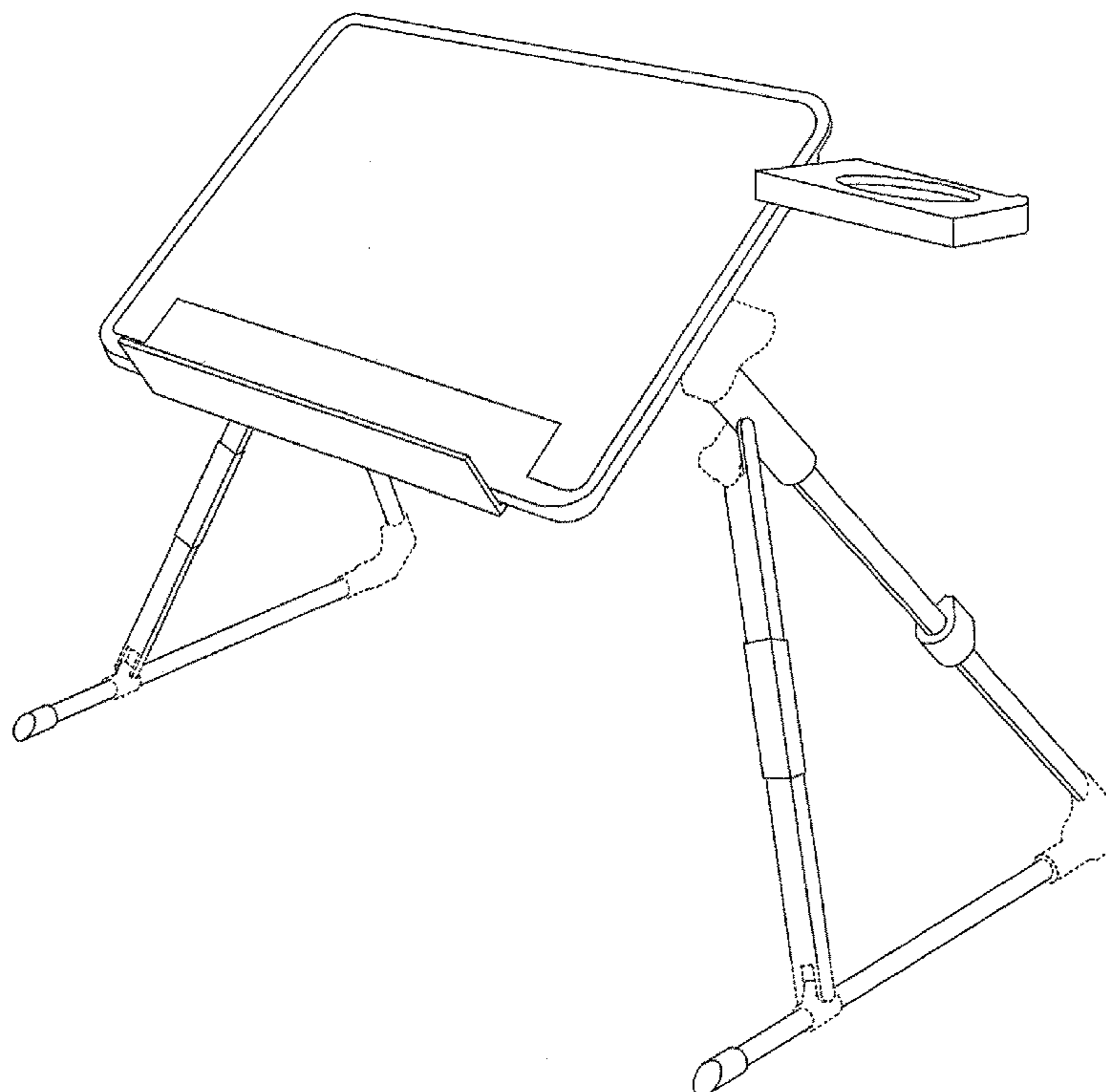
FIG. 9 is a right side view thereof;

FIG. 10 is a left side view thereof; and,

FIG. 11 is a rear view thereof.

The broken lines are for environmental purposes only and form no part of the claimed design.

1 Claim, 8 Drawing Sheets



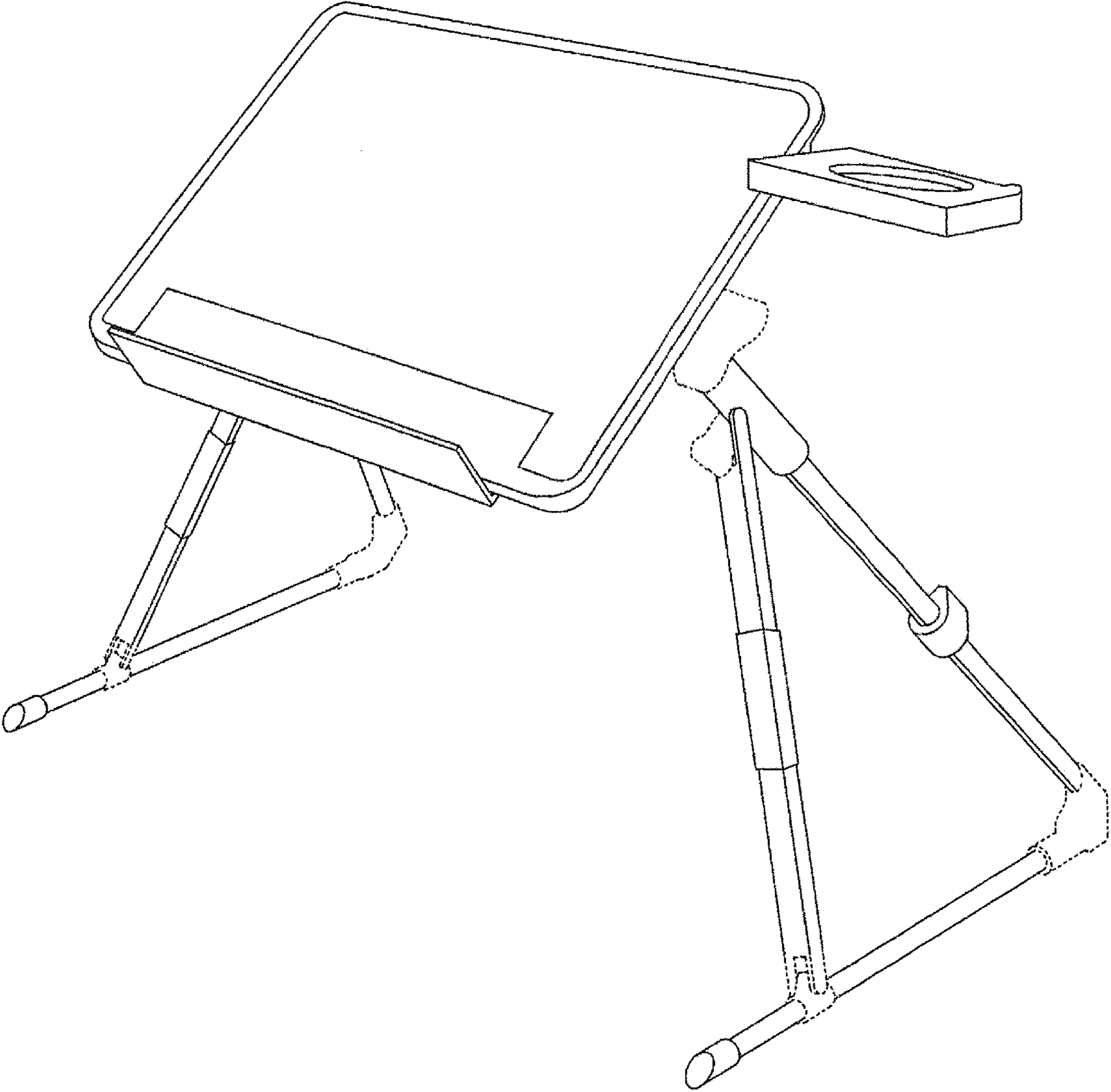


FIG. 1

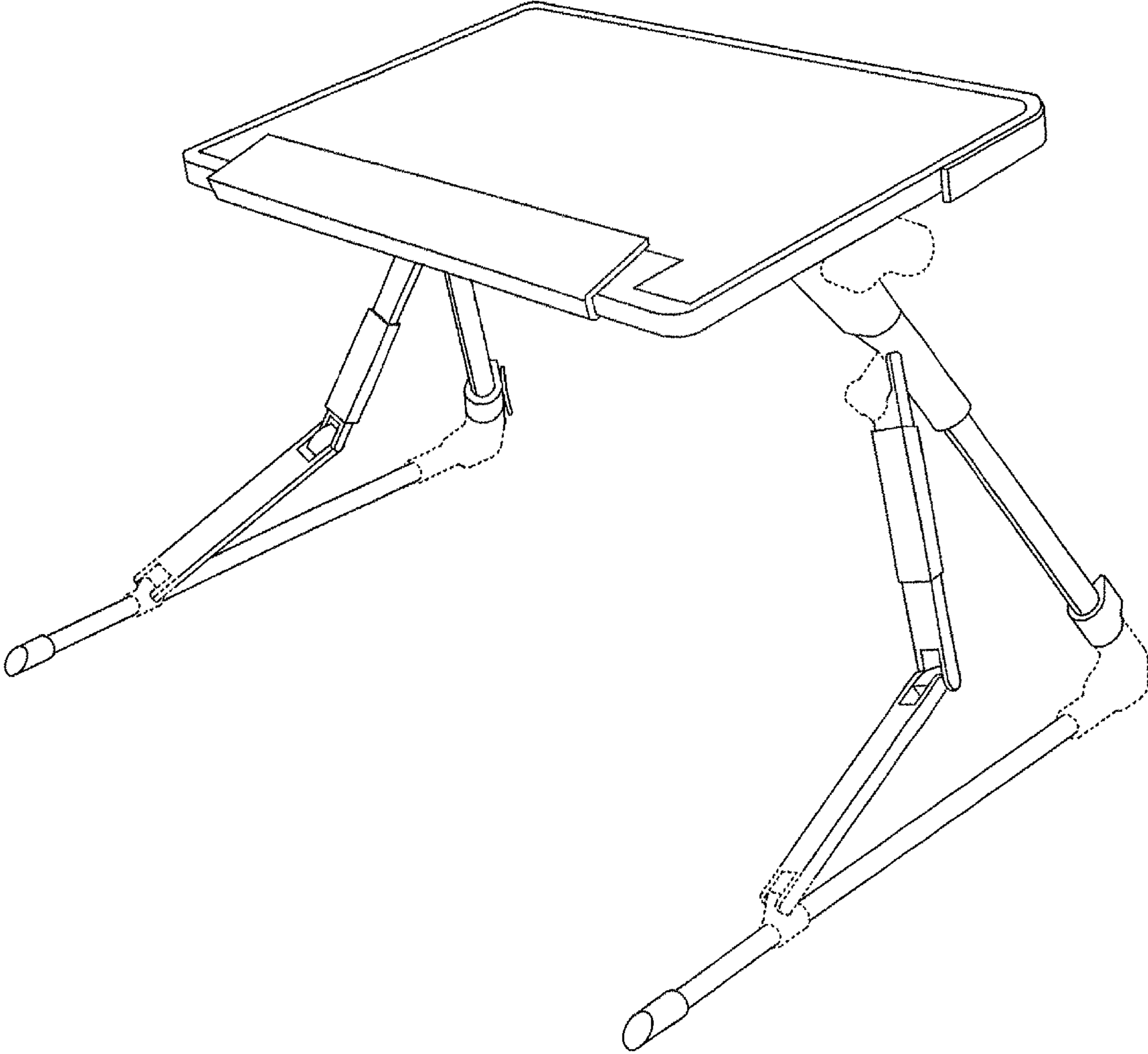


FIG. 2



FIG. 3

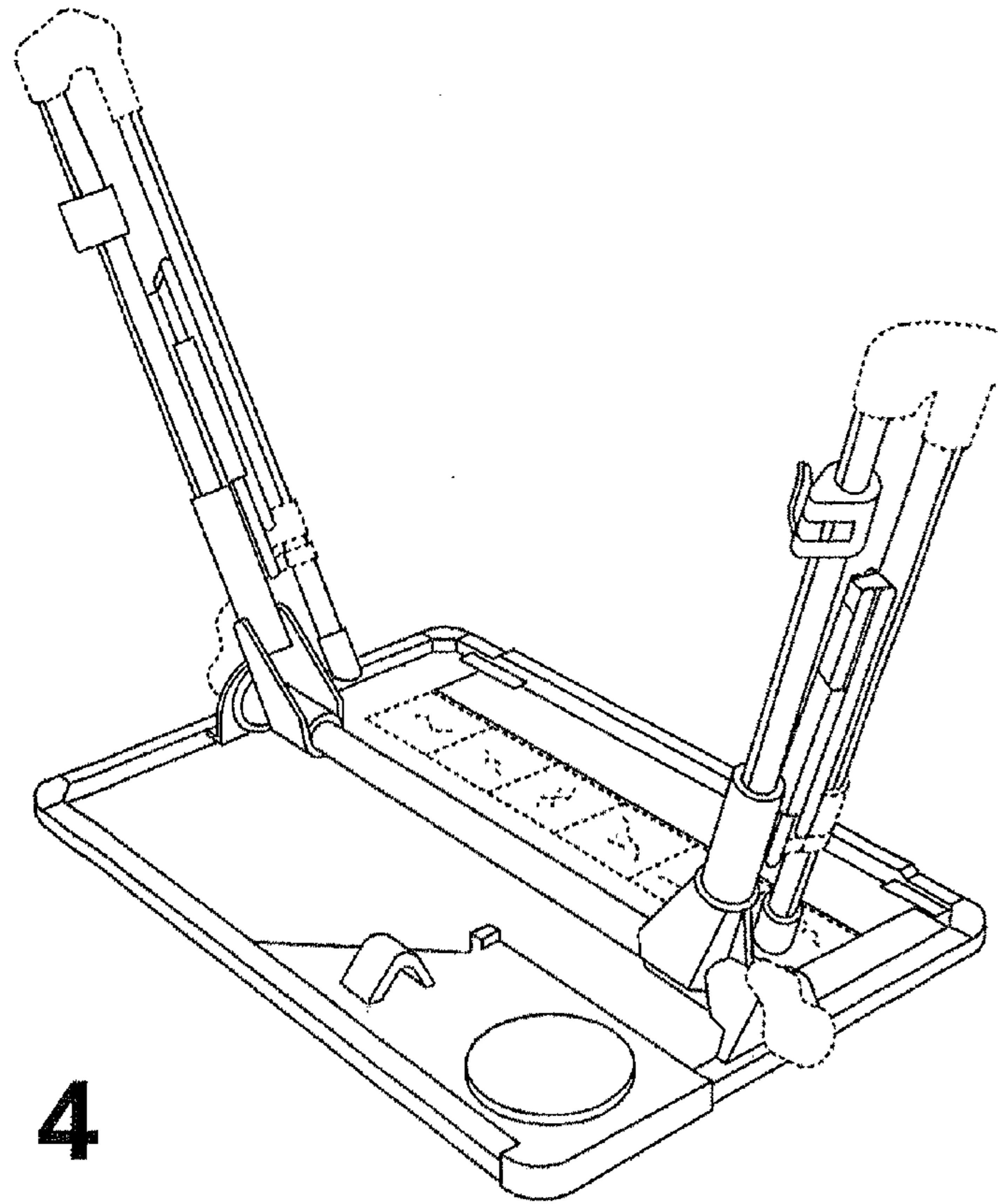


FIG. 4

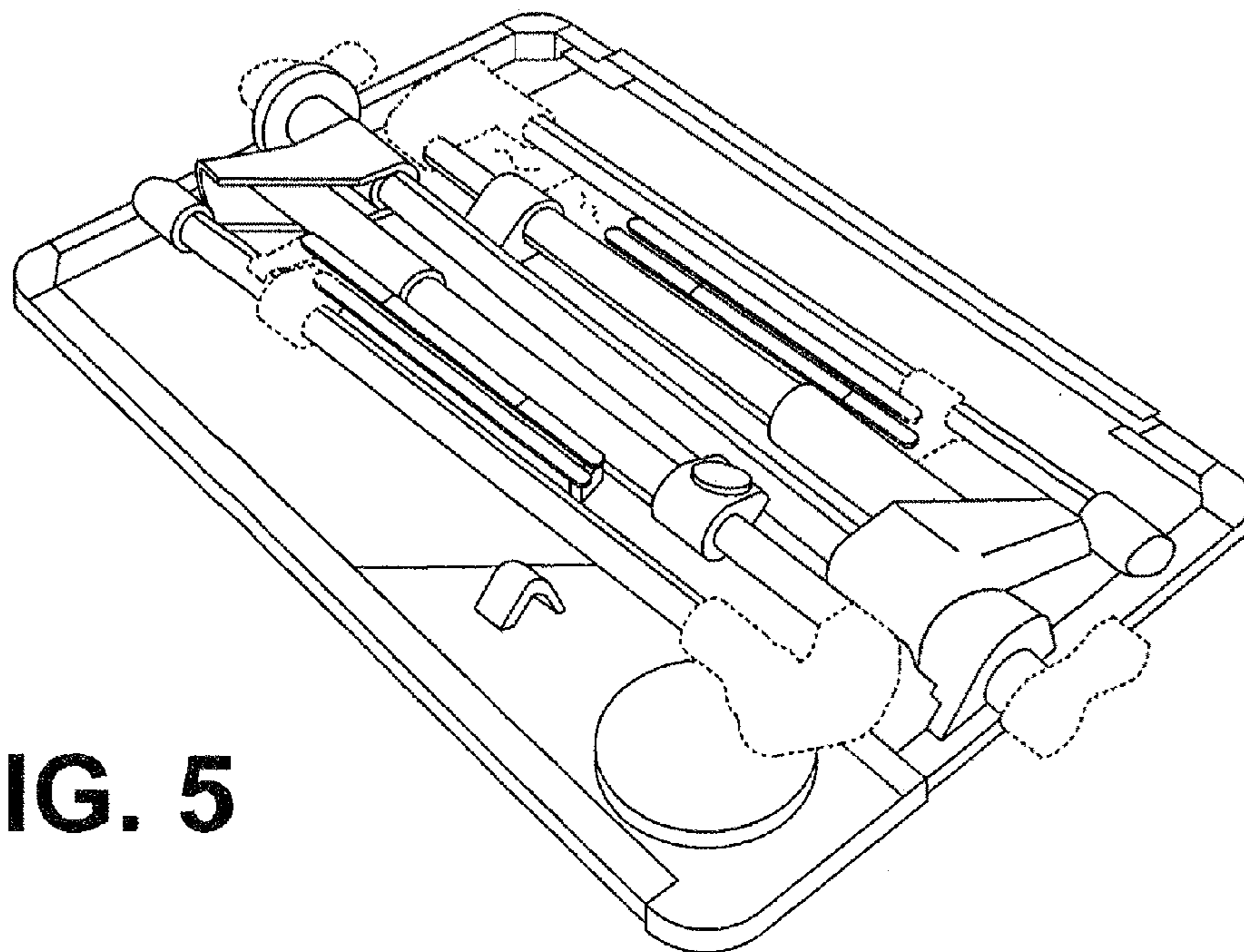


FIG. 5

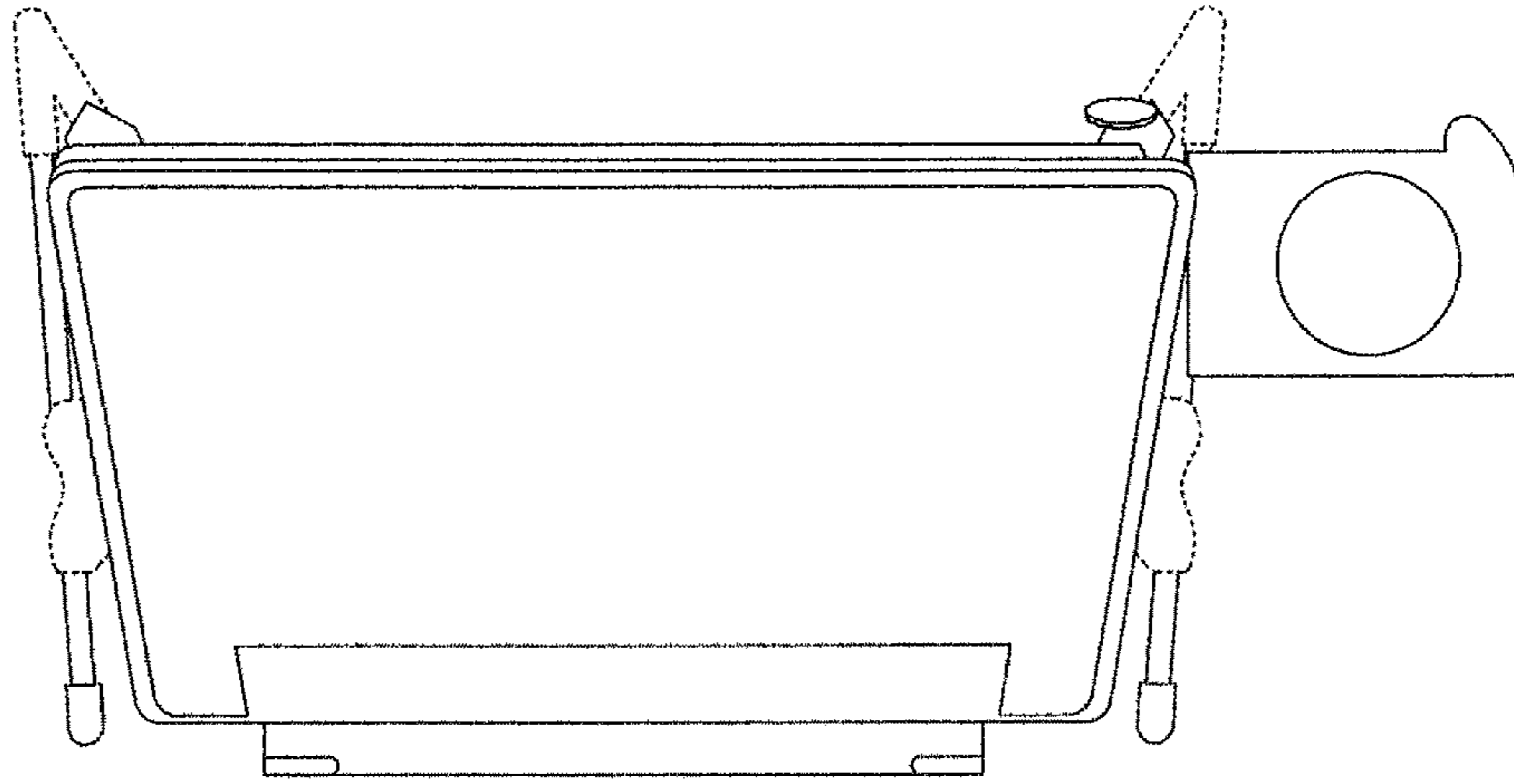


FIG. 6

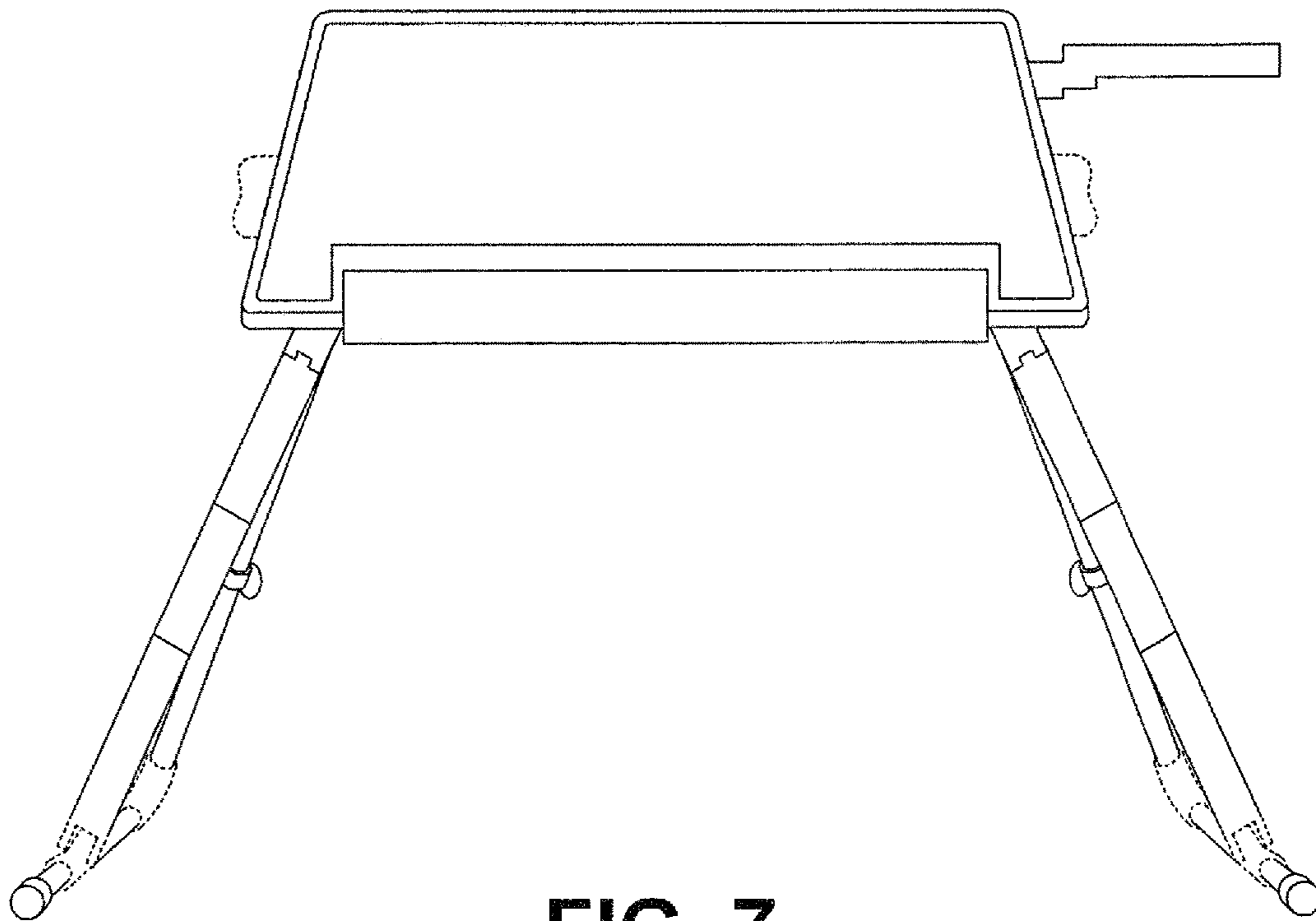


FIG. 7

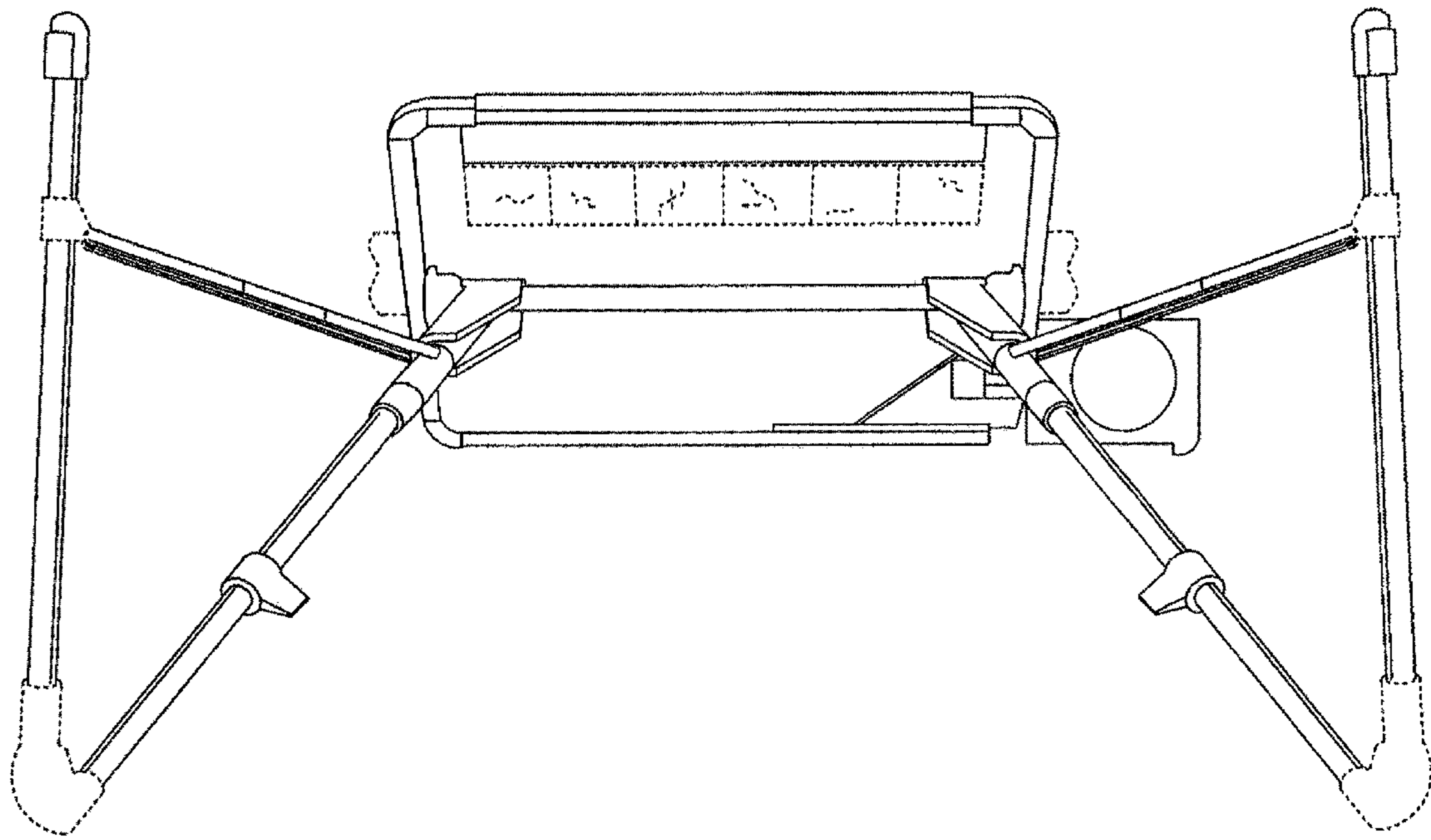


FIG. 8

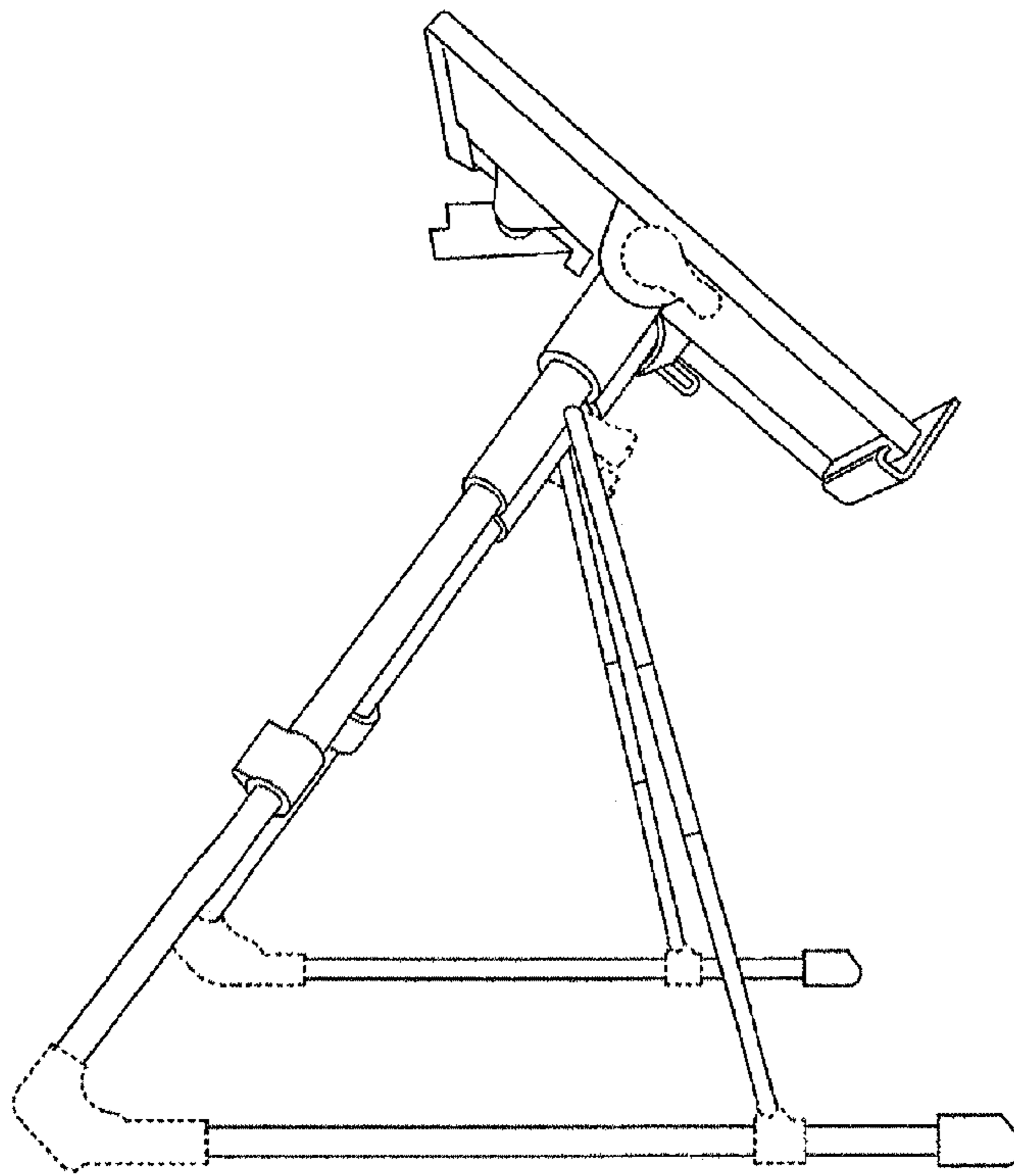


FIG. 9

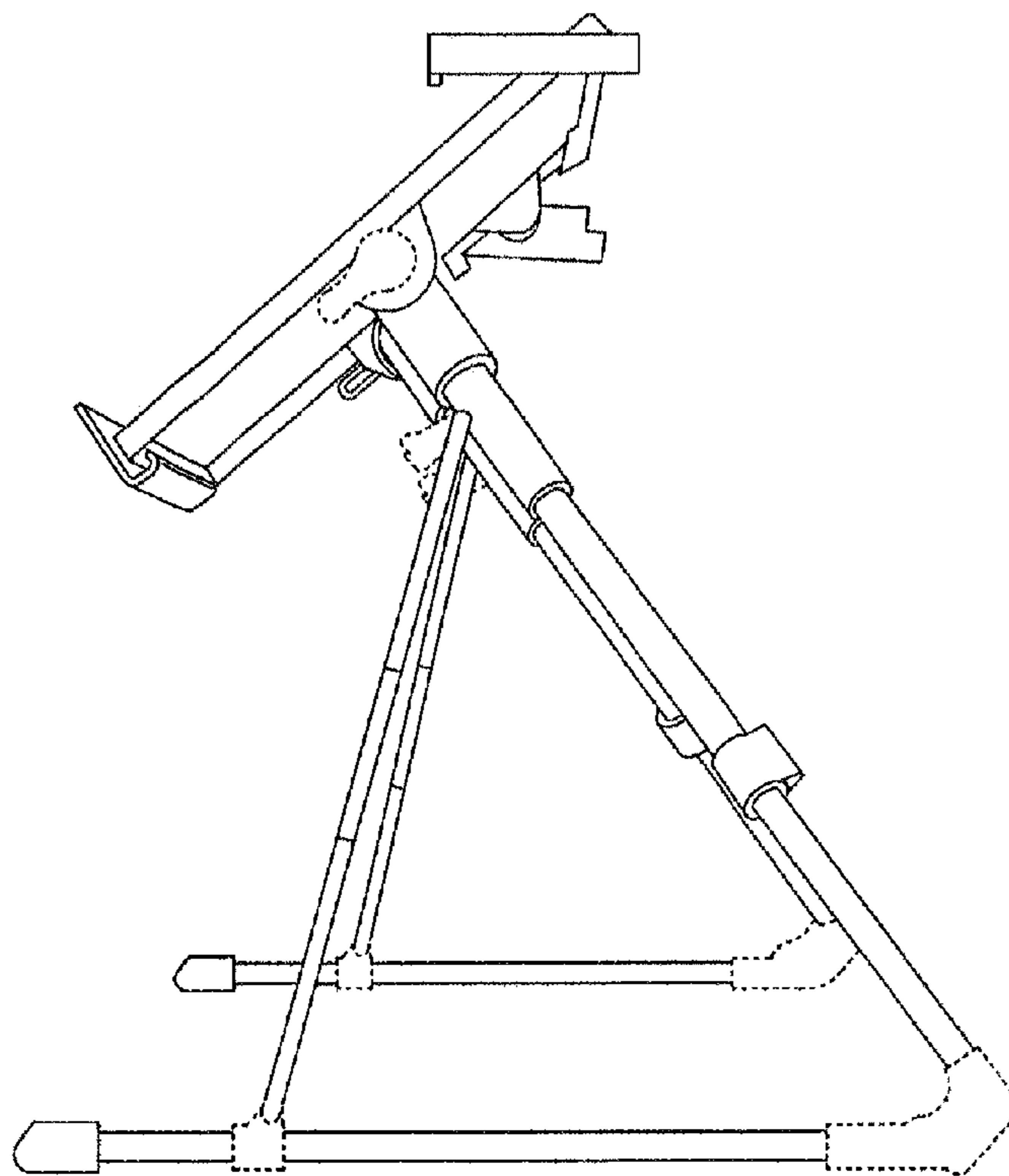


FIG. 10

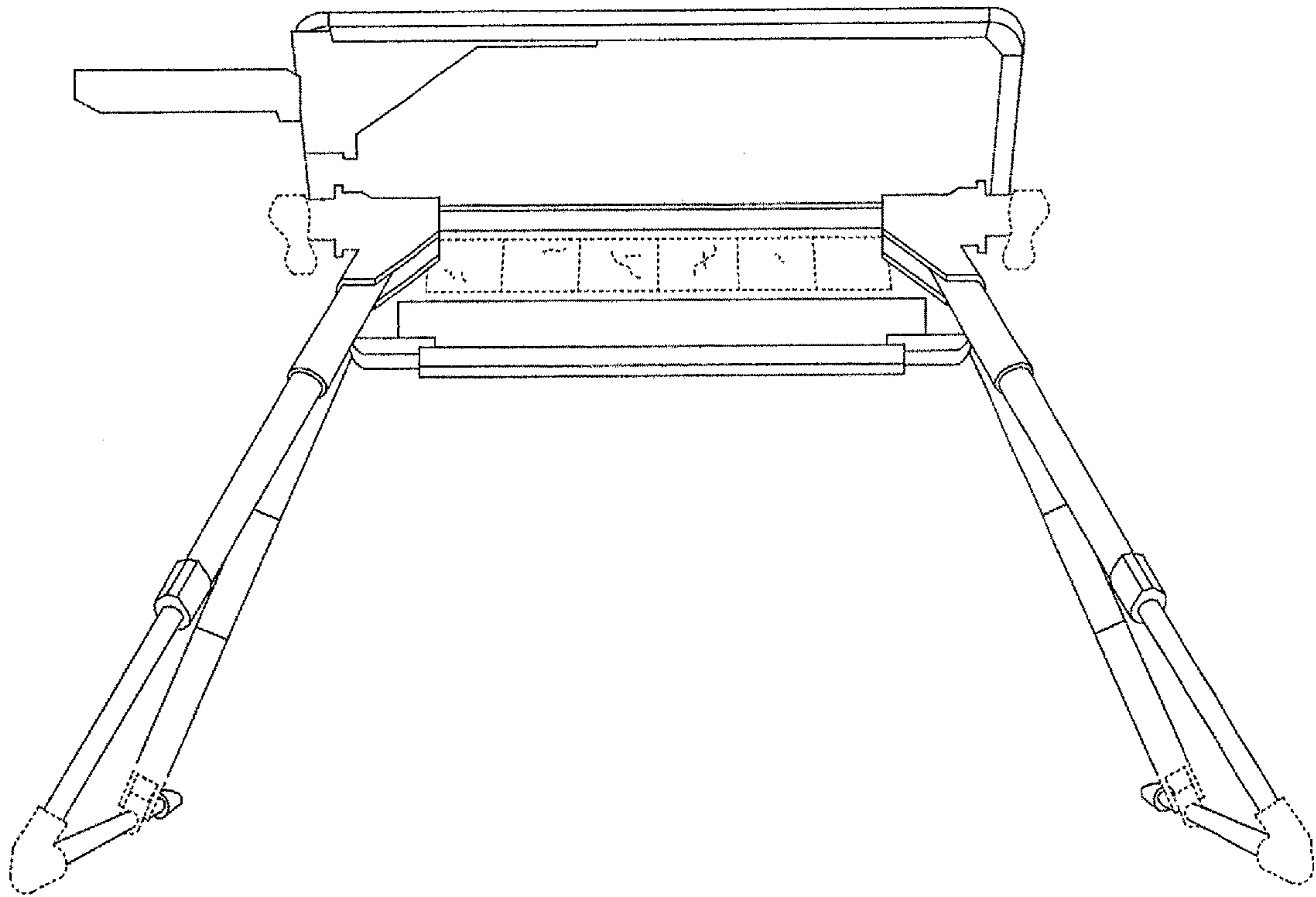


FIG. 11