



US00D635796S

(12) **United States Design Patent**
Buckles et al.

(10) **Patent No.:** **US D635,796 S**
(45) **Date of Patent:** **** Apr. 12, 2011**

- (54) **COOLER**
- (75) Inventors: **John Buckles**, Chicago, IL (US); **Daniel Noe**, Frisco, TX (US); **Gregory Butz**, Glenview, IL (US); **Shereen Besselle**, Bronx, NY (US); **Adam Harter**, Danbury, CT (US); **Emad Jafa**, Brewster, NY (US)
- (73) Assignee: **PepsiCo, Inc.**, Purchase, NY (US)
- (**) Term: **14 Years**
- (21) Appl. No.: **29/332,408**
- (22) Filed: **Feb. 13, 2009**
- (51) **LOC (9) Cl.** **06-04**
- (52) **U.S. Cl.** **D6/397**
- (58) **Field of Classification Search** D6/397,
D6/449, 480-489, 467, 469; 62/457.4, 457.5,
62/3.61, 62, 459; D7/306, 709, 603-609,
D7/710, 629, 707, 703; 220/516; D22/136;
422/104; D20/10; D24/224, 227
See application file for complete search history.

4,286,440 A	9/1981	Taylor	
D270,985 S	10/1983	Hill	
D271,655 S	12/1983	Numbers	
4,643,104 A *	2/1987	Rasmussen	108/105
4,747,274 A	5/1988	Duemmig-Zitzmann	
4,775,055 A	10/1988	Morse	
D300,293 S	3/1989	Casey	
4,899,553 A	2/1990	Drummond, III	
D312,949 S	12/1990	Persch	
5,095,718 A	3/1992	Ormond et al.	
5,101,642 A	4/1992	Alexandrov	
D334,873 S	4/1993	Ancona et al.	
5,277,328 A	1/1994	Tocco	
5,350,081 A	9/1994	Graham	
5,375,716 A	12/1994	Rubin et al.	
5,448,844 A	9/1995	Miller, Jr. et al.	
5,509,279 A	4/1996	Brown et al.	
5,522,239 A	6/1996	Schwartz et al.	
5,546,818 A	8/1996	Keefer	
5,564,288 A	10/1996	Lewis	
5,641,080 A	6/1997	Humphrey et al.	
D395,179 S	6/1998	Primiano et al.	
5,758,513 A	6/1998	Smith	

(Continued)

Primary Examiner — Philip S Hyder
Assistant Examiner — Sydney R Buffalow
(74) *Attorney, Agent, or Firm* — Banner & Witcoff, Ltd.

(56) **References Cited**

U.S. PATENT DOCUMENTS

401,829 A	4/1889	Hall
855,565 A	6/1907	Greenhouse
1,581,749 A	4/1926	Mahony
1,813,190 A	7/1931	Morin
2,384,156 A	9/1945	Burdette
2,501,772 A	3/1950	Guard
2,740,546 A	4/1956	Kowalski
2,988,333 A	6/1961	Mesic
3,352,427 A	11/1967	Lawrence et al.
3,401,535 A	9/1968	Palmer
3,605,435 A	9/1971	Taylor
4,011,954 A	3/1977	Galli
D256,871 S	9/1980	Snyder
D259,230 S	5/1981	Snyder
4,266,407 A	5/1981	Gibson

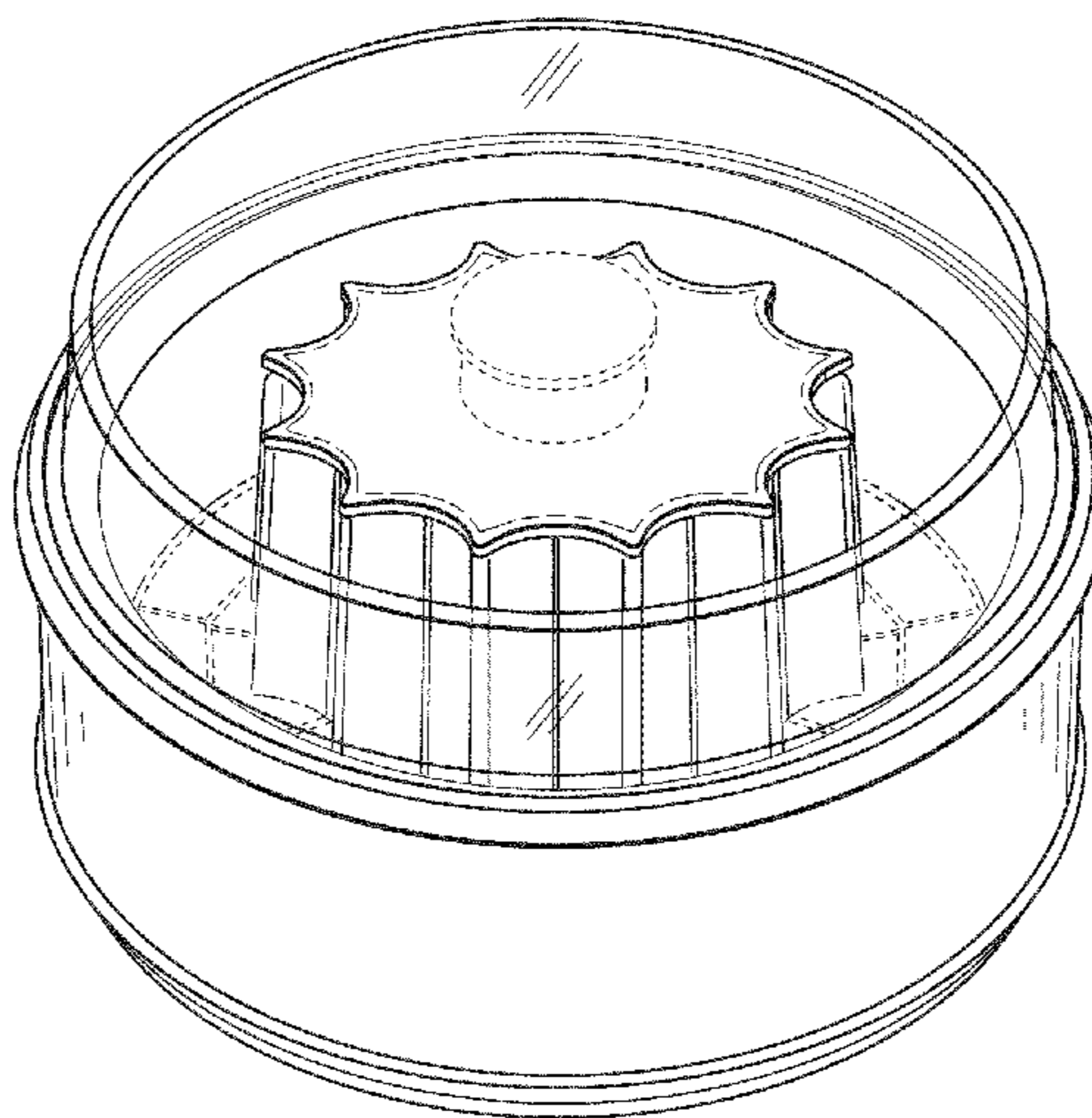
(57) **CLAIM**

The ornamental design for a cooler, as shown and described.

DESCRIPTION

FIG. 1 is a front perspective view of a cooler showing our new design;
FIG. 2 is a top view thereof;
FIG. 3 is a front view thereof, the rear view being a mirror image thereof;
FIG. 4 is a bottom view thereof; and,
FIG. 5 is a top perspective view thereof.
The broken lines shown in the drawings depict portions of the cooler that form no part of the claimed design.

1 Claim, 3 Drawing Sheets



US D635,796 S

Page 2

U.S. PATENT DOCUMENTS

5,772,050	A *	6/1998	Shih	211/39	D490,848	S	6/2004	Pope et al.	
5,806,338	A	9/1998	Schwartz et al.		6,796,441	B2	9/2004	Tremblay	
5,816,432	A	10/1998	Hammen et al.		6,920,995	B2	7/2005	Bowen et al.	
D405,293	S	2/1999	Tate		6,990,831	B2	1/2006	Fiene	
5,878,593	A	3/1999	Lane et al.		D515,874	S *	2/2006	Aalberts	D7/590
5,901,571	A	5/1999	Whaley		7,032,753	B2	4/2006	Purvis	
D416,769	S	11/1999	Morgan		7,040,115	B1	5/2006	Lopez et al.	
6,029,845	A	2/2000	Mueller		D529,764	S	10/2006	Schalk et al.	
6,062,398	A	5/2000	Thalmayr		7,121,112	B2	10/2006	Robertson	
6,065,303	A *	5/2000	Harris	62/457.5	D538,600	S	3/2007	Jennewein et al.	
6,067,813	A	5/2000	Smith		7,195,132	B1	3/2007	Balam	
6,073,460	A	6/2000	Credle, Jr. et al.		7,225,633	B2	6/2007	DeMars	
D427,490	S	7/2000	Hunter		7,240,514	B2	7/2007	Gary	
6,182,839	B1	2/2001	Robbins et al.		7,249,772	B2	7/2007	Bruns	
6,415,623	B1	7/2002	Jennings et al.		7,269,970	B2	9/2007	Robertson	
6,446,460	B1	9/2002	Rosenberg		D557,565	S	12/2007	Van Oosten et al.	
6,446,461	B1	9/2002	Williams, Jr.		D560,102	S	1/2008	Sumter	
6,471,059	B2	10/2002	Purvis		7,318,461	B2 *	1/2008	Zeller	141/284
6,481,014	B1	11/2002	Banks et al.		D566,474	S	4/2008	Ray	
6,491,179	B2	12/2002	Dokun		2006/0249407	A1	11/2006	Buckingham	
D469,659	S	2/2003	Gale		2007/0272092	A1	11/2007	Ehrenreich	

* cited by examiner

Fig. 1

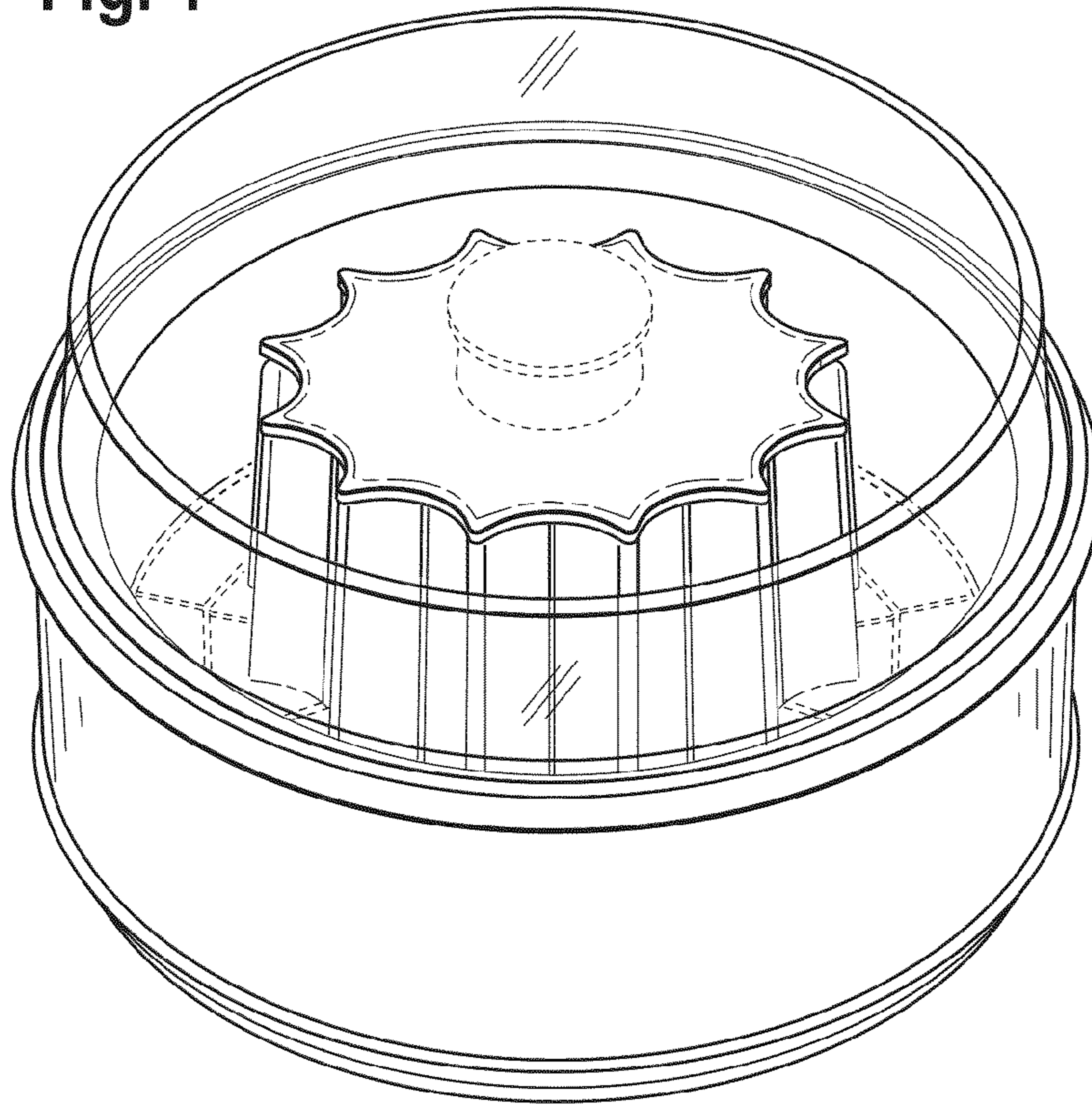


Fig. 2

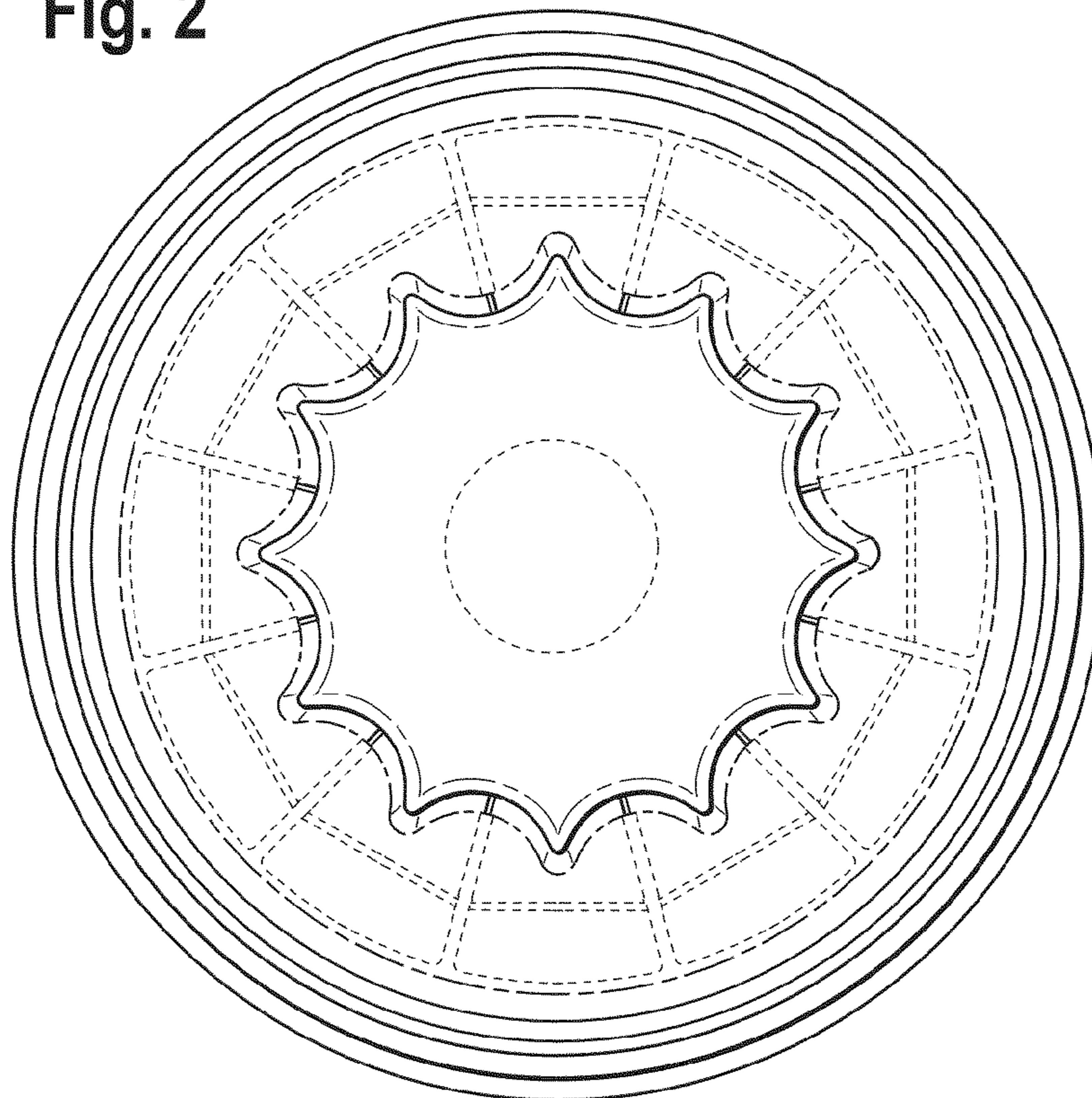


Fig. 3

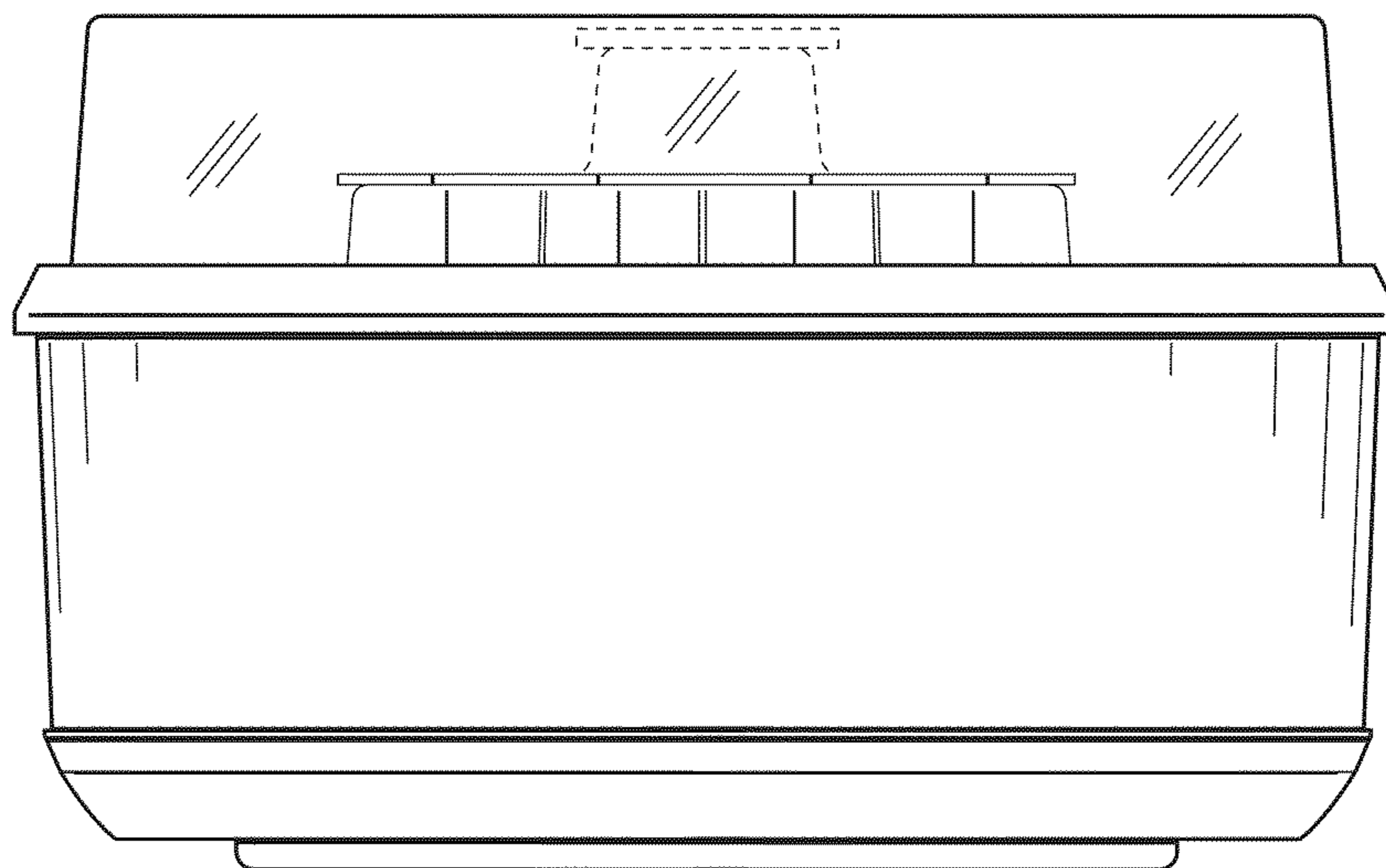


Fig. 4

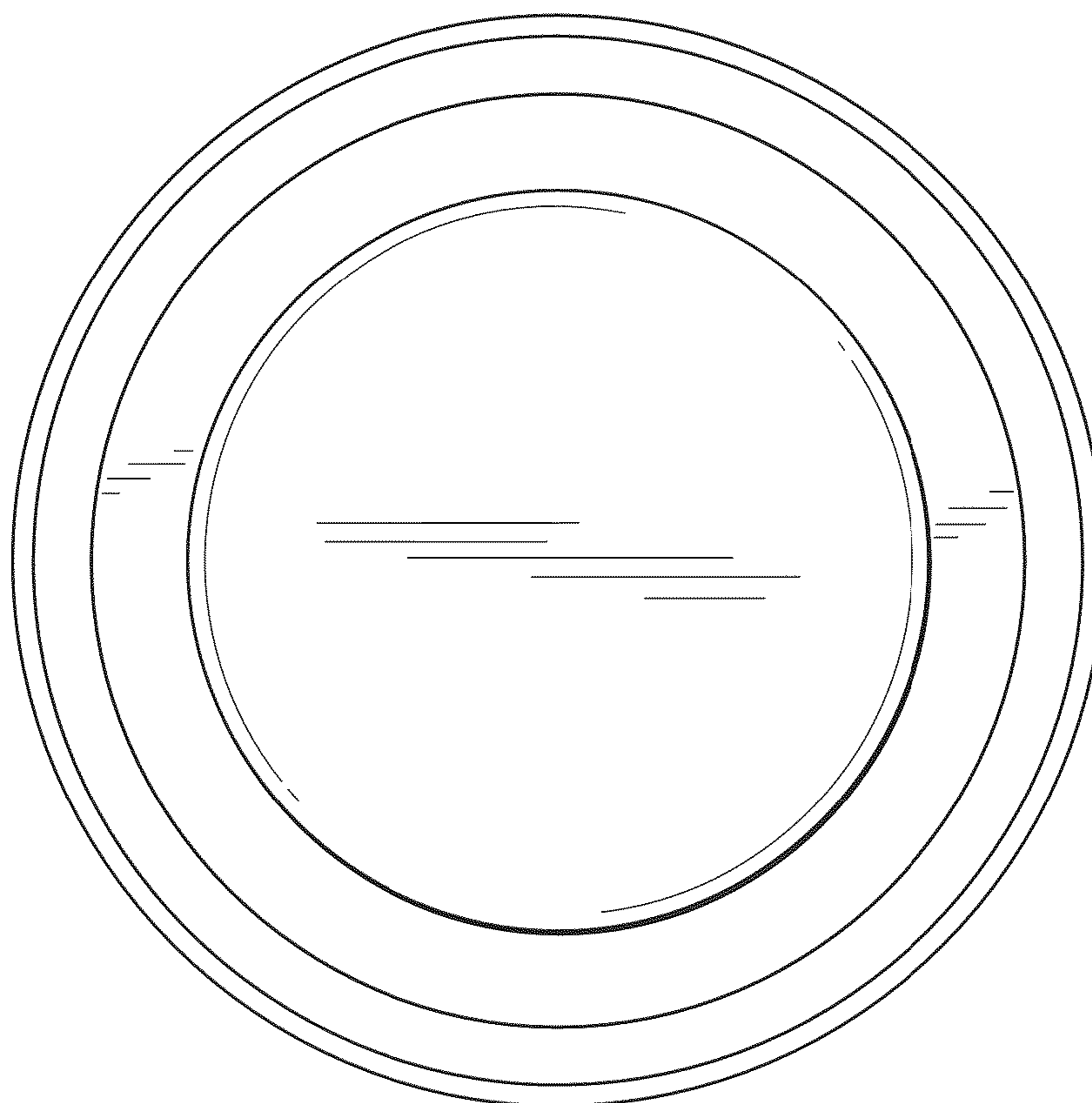


Fig. 5

