



US00D635793S

(12) **United States Design Patent**  
**Kanthasamy**

(10) **Patent No.:** **US D635,793 S**  
(45) **Date of Patent:** **\*\* Apr. 12, 2011**

(54) **CONVERTIBLE SOFA WITH MULTIPLE POSITIONS**

(75) Inventor: **Abedan Kanthasamy**, Kuala Lumpur (MY)

(73) Assignee: **Lifestyle Solutions, Inc.**, Fremont, CA (US)

(\*\*) Term: **14 Years**

(21) Appl. No.: **29/376,539**

(22) Filed: **Oct. 8, 2010**

(51) **LOC (9) Cl.** ..... **06-01**

(52) **U.S. Cl.** ..... **D6/381**

(58) **Field of Classification Search** ..... D6/334,  
D6/335, 337, 349, 353, 380, 381, 500-502;  
5/12.1, 12.2; 297/14, 43, 44, 118, 140, 245,  
297/300.1, 311, 353, 354.1, 445.1, 446.1,  
297/446.2, 447.4, 465, 900, DIG. 2, DIG. 7

See application file for complete search history.

(56) **References Cited**

**U.S. PATENT DOCUMENTS**

D164,563 S *	9/1951	Fouts	.....	D6/349
D170,088 S *	7/1953	Hoffman	.....	D6/381
D171,368 S *	1/1954	Rothstein	.....	D6/381
D261,952 S *	11/1981	Valdez	.....	D6/334
D443,989 S *	6/2001	Gomez	.....	D6/335
D455,281 S *	4/2002	Andersen et al.	.....	D6/381
D455,282 S *	4/2002	Andersen et al.	.....	D6/381
D490,996 S *	6/2004	Weiss et al.	.....	D6/381
D498,075 S *	11/2004	Mourgue	.....	D6/381
D603,618 S *	11/2009	Weiss	.....	D6/381
D603,619 S *	11/2009	Weiss	.....	D6/381

D604,957 S *	12/2009	Weiss	.....	D6/381
D610,366 S *	2/2010	Kanthasamy	.....	D6/381
D613,090 S *	4/2010	Boydak	.....	D6/381
D614,419 S *	4/2010	Andersen	.....	D6/381
D615,766 S *	5/2010	Andersen	.....	D6/381
D617,571 S *	6/2010	Andersen	.....	D6/381
D621,174 S *	8/2010	Kanthasamy	.....	D6/381

\* cited by examiner

*Primary Examiner* — Sandra Snapp

(74) *Attorney, Agent, or Firm* — Robert A. Voigt, Jr.; Winstead PC

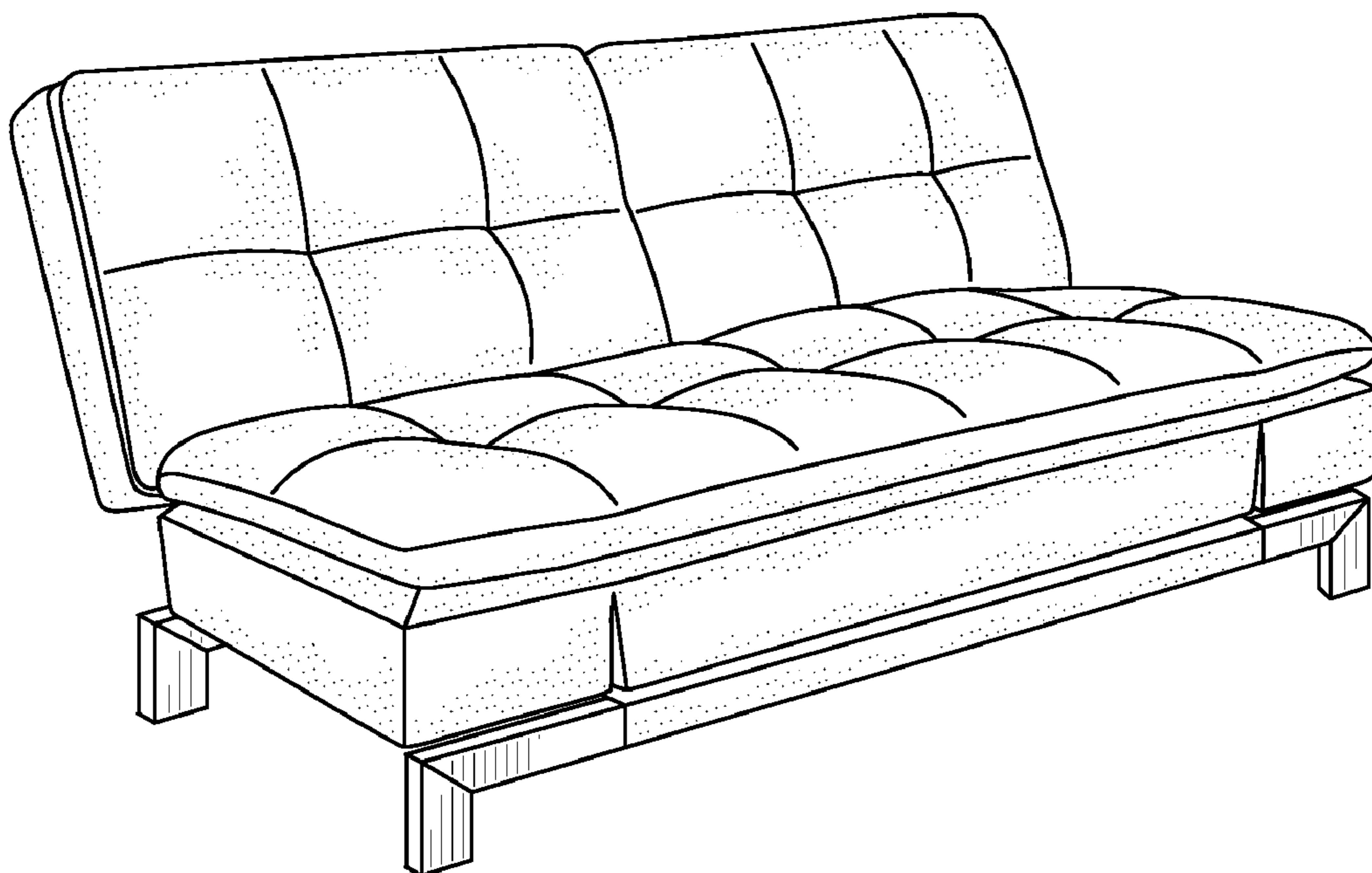
(57) **CLAIM**

The ornamental design for a convertible sofa with multiple positions, as shown and described.

**DESCRIPTION**

FIG. 1 is a front perspective view of the sofa convertible being in a sofa position;  
 FIG. 2 is a front perspective view of the sofa convertible being in a lounge position;  
 FIG. 3 is a front perspective view of the sofa convertible being in a bed position;  
 FIG. 4 is a front perspective view of the sofa convertible being in the sofa position with its armrests folded upward;  
 FIG. 5 is a front perspective view of the sofa convertible being in the splitback position;  
 FIG. 6 is a top perspective view of the sofa convertible being in the bed position;  
 FIG. 7 is a rear perspective view of the sofa convertible being in the sofa position; and,  
 FIG. 8 is a side perspective view of the sofa convertible being in the sofa position.

**1 Claim, 4 Drawing Sheets**



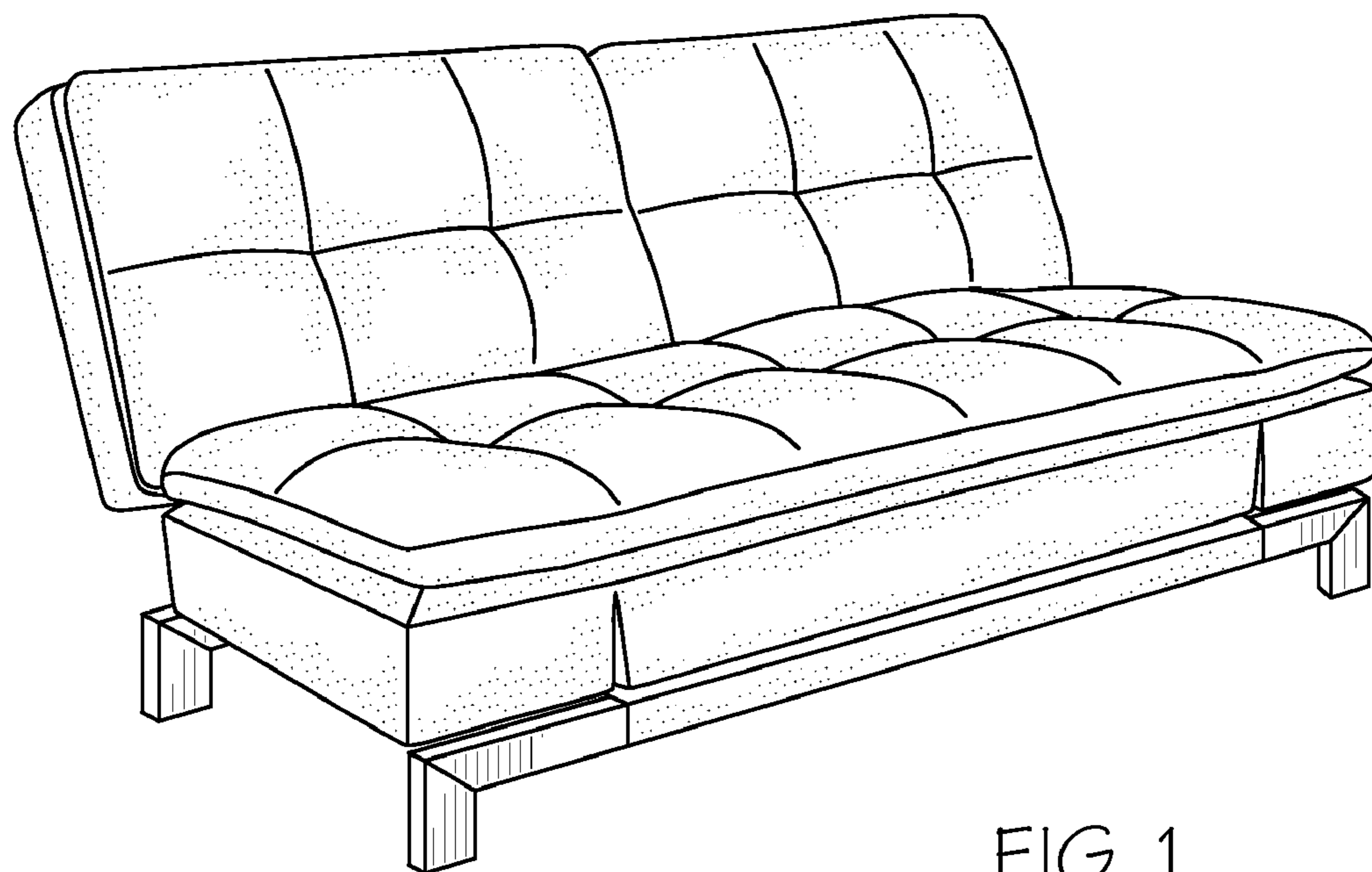


FIG. 1

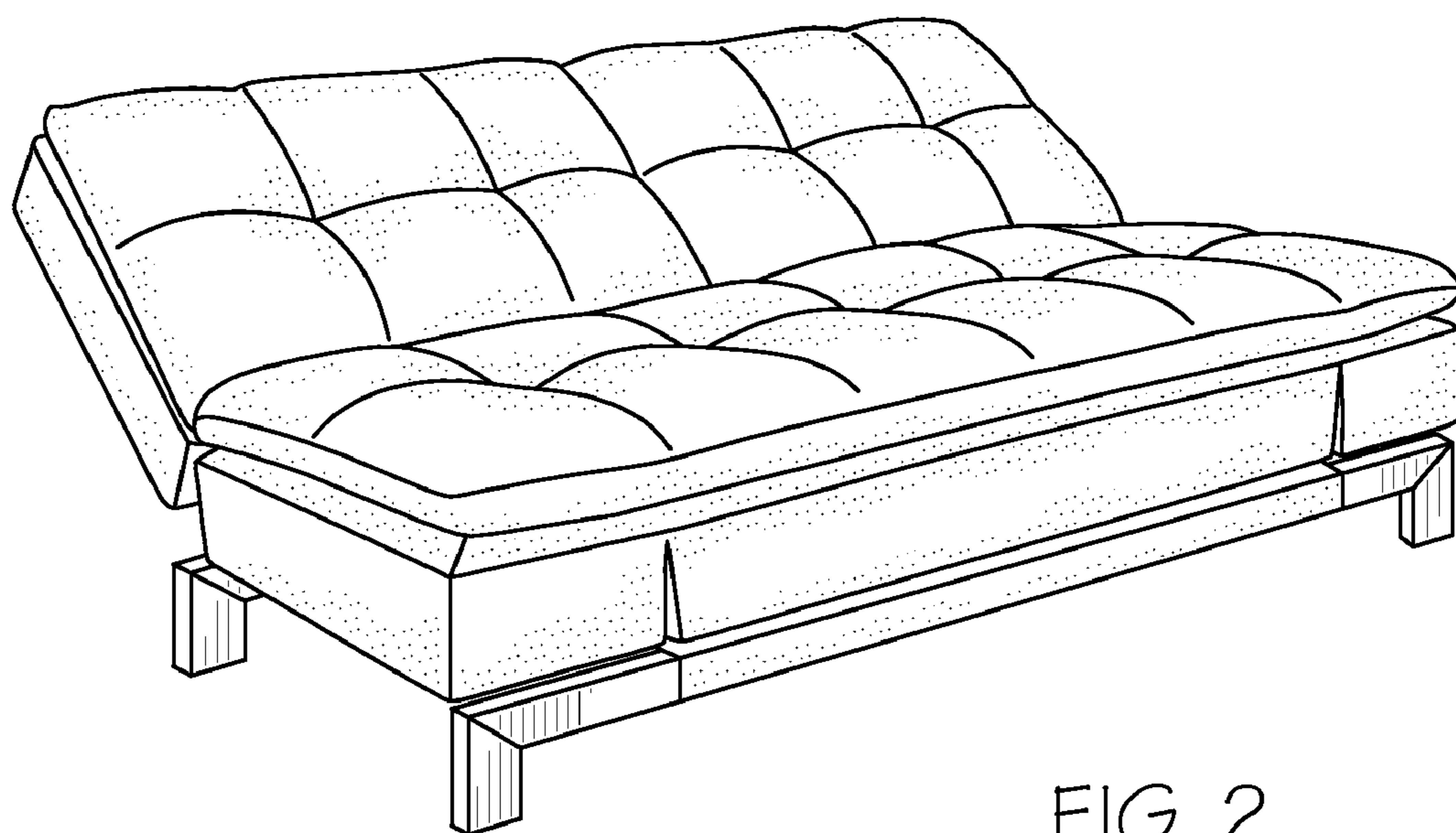


FIG. 2

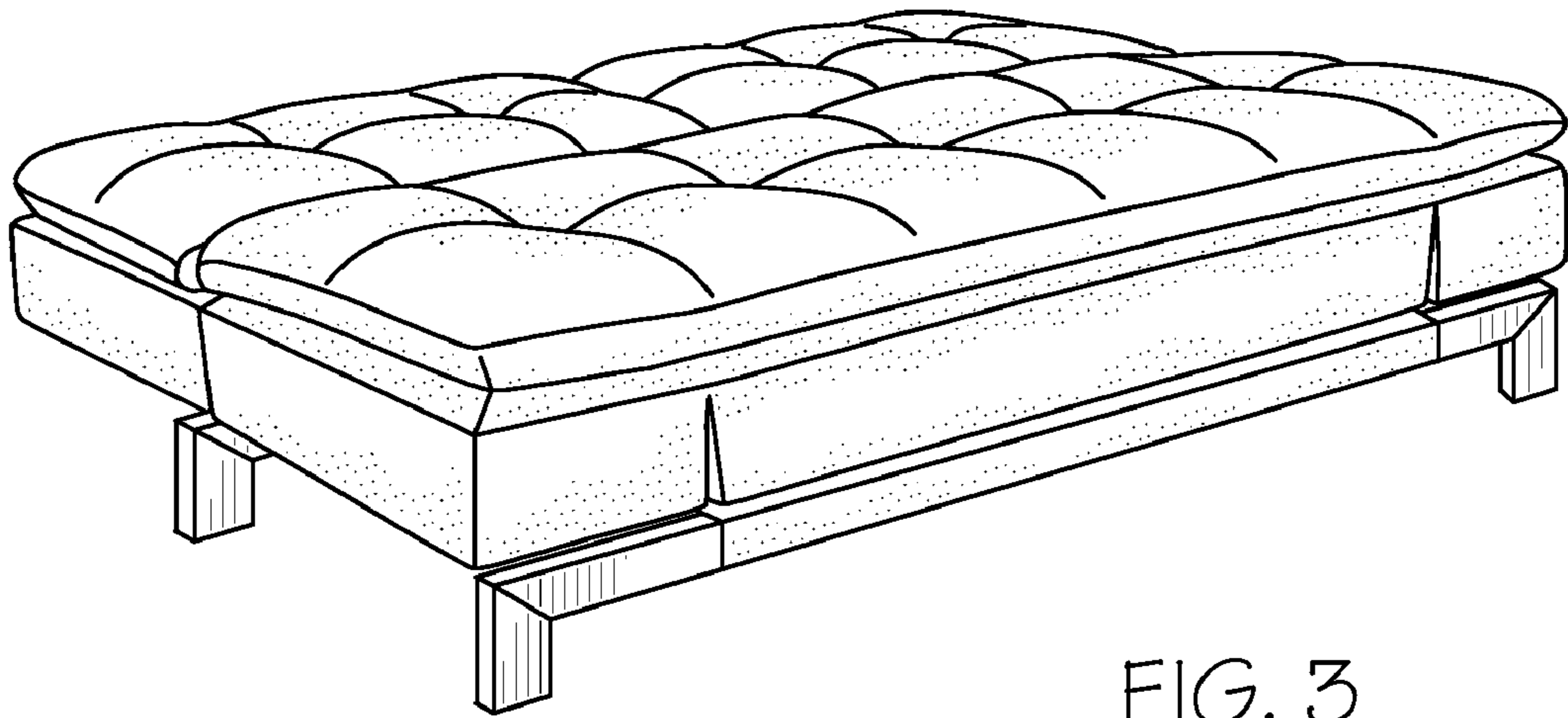


FIG. 3

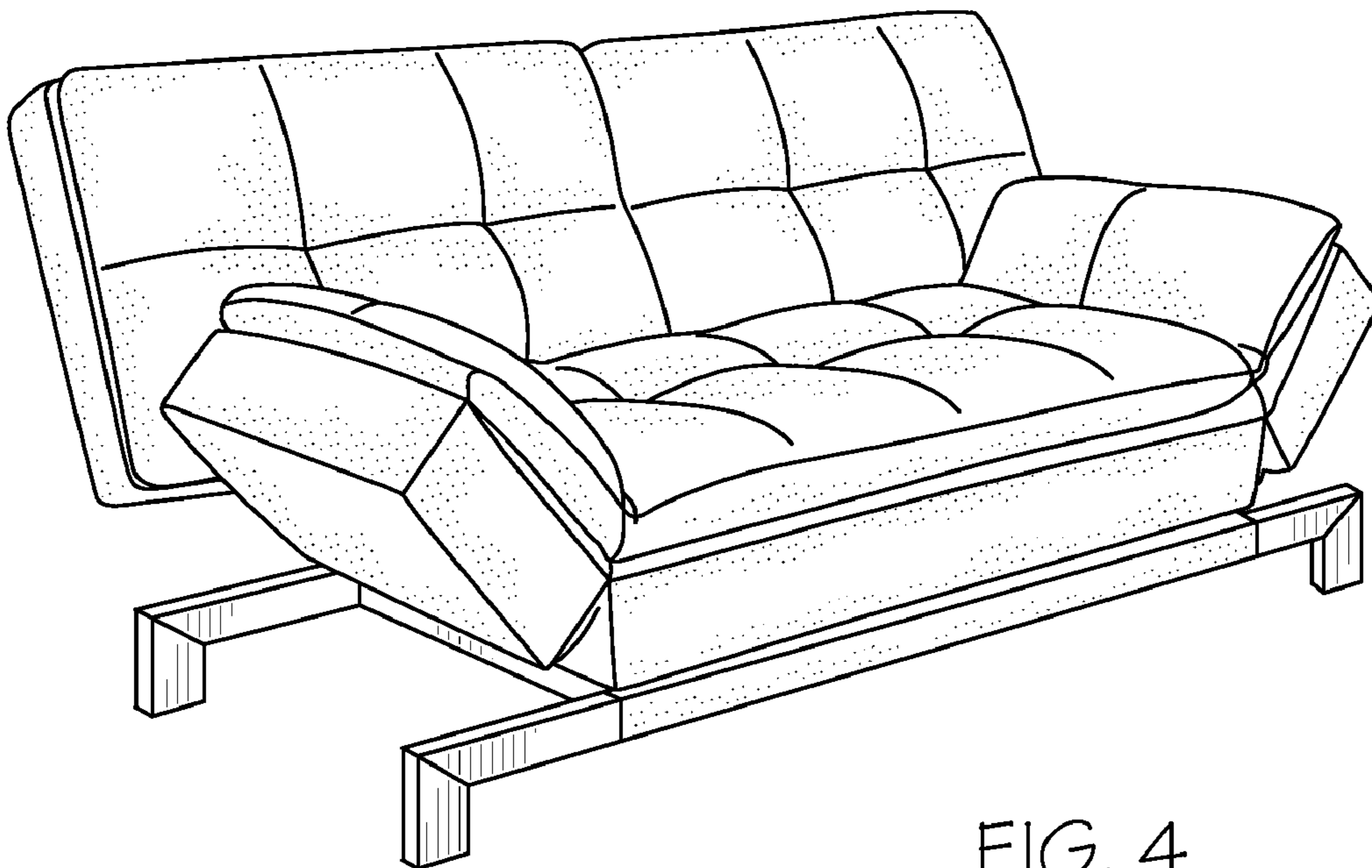


FIG. 4

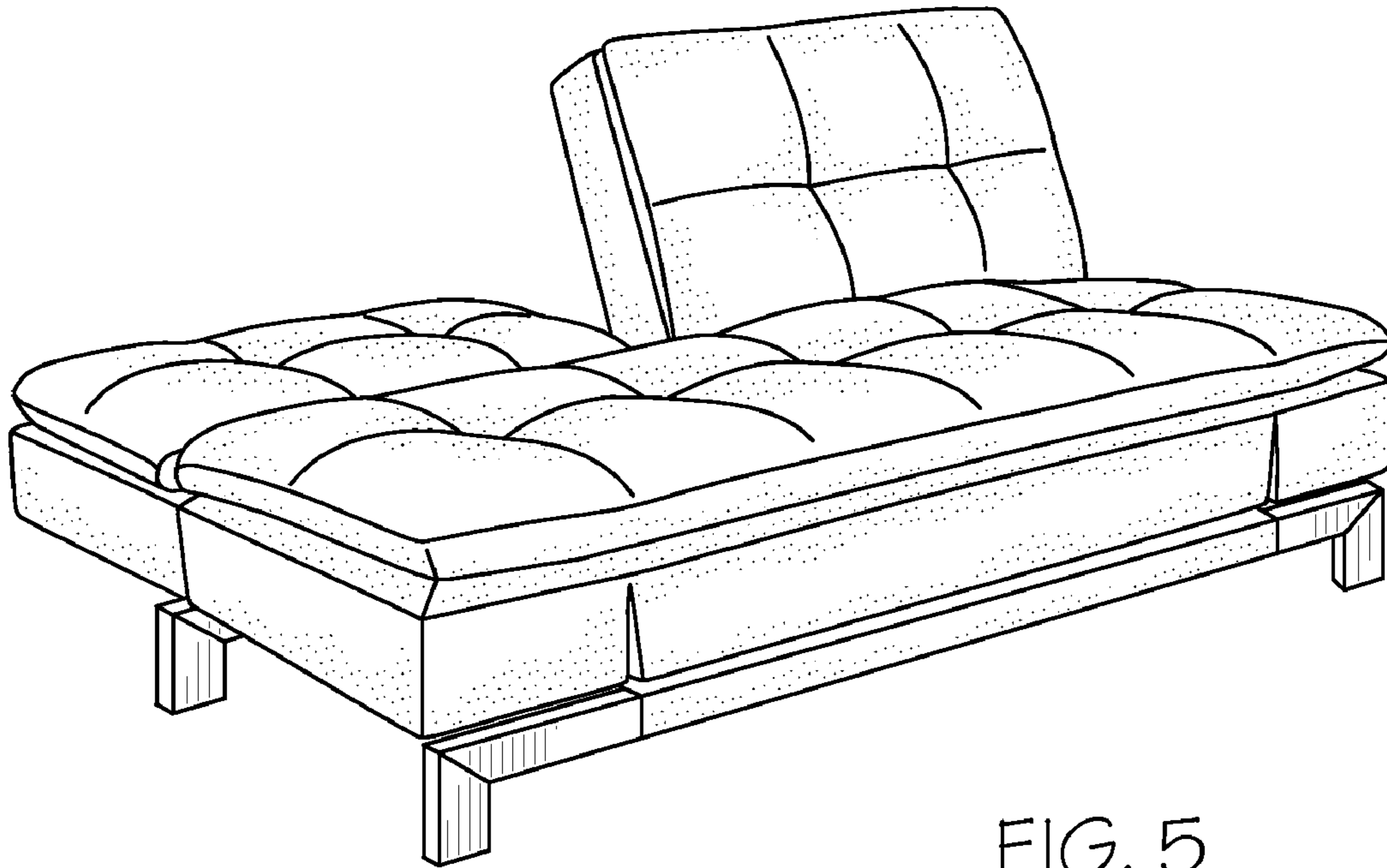


FIG. 5

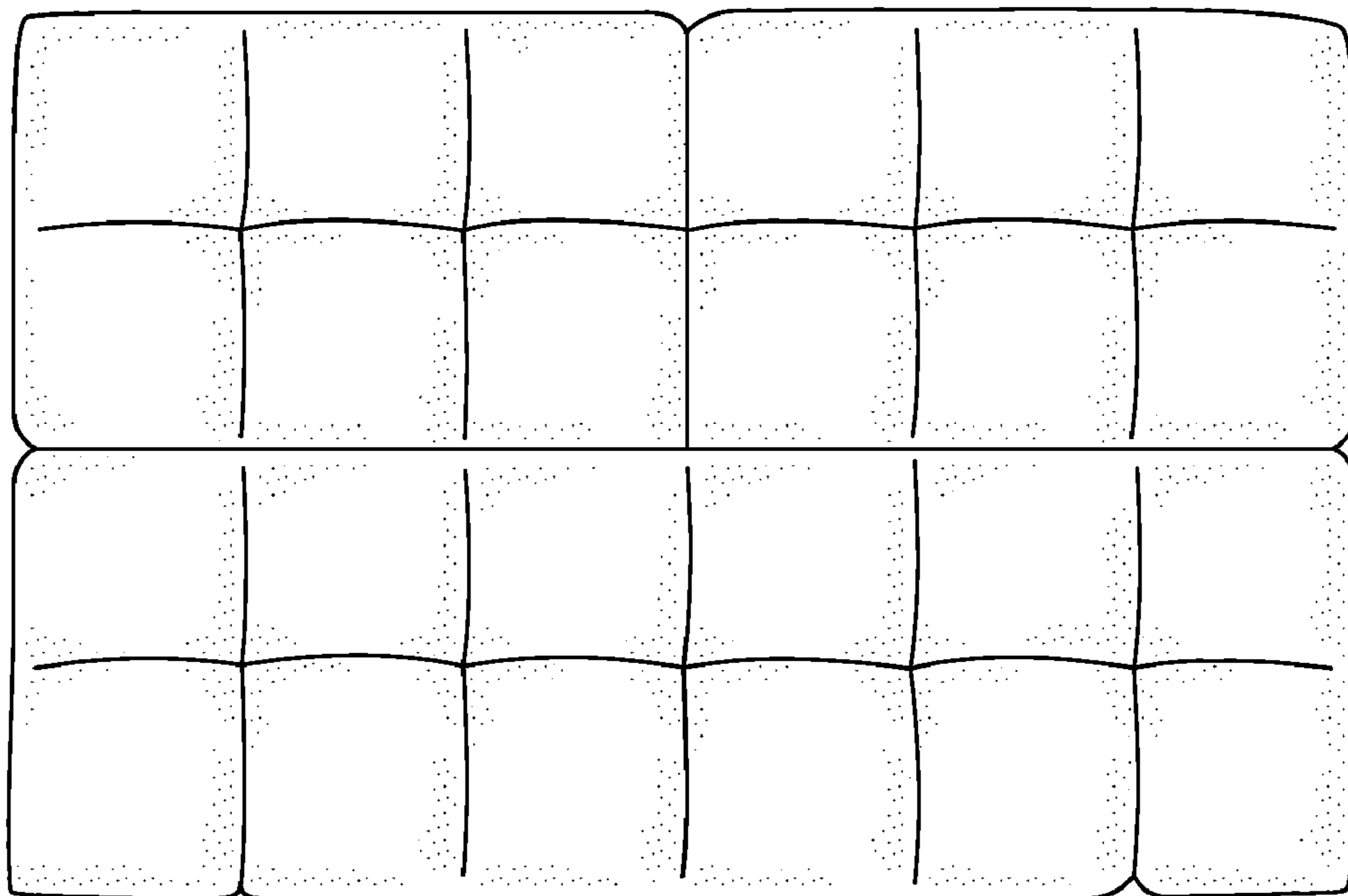


FIG. 6

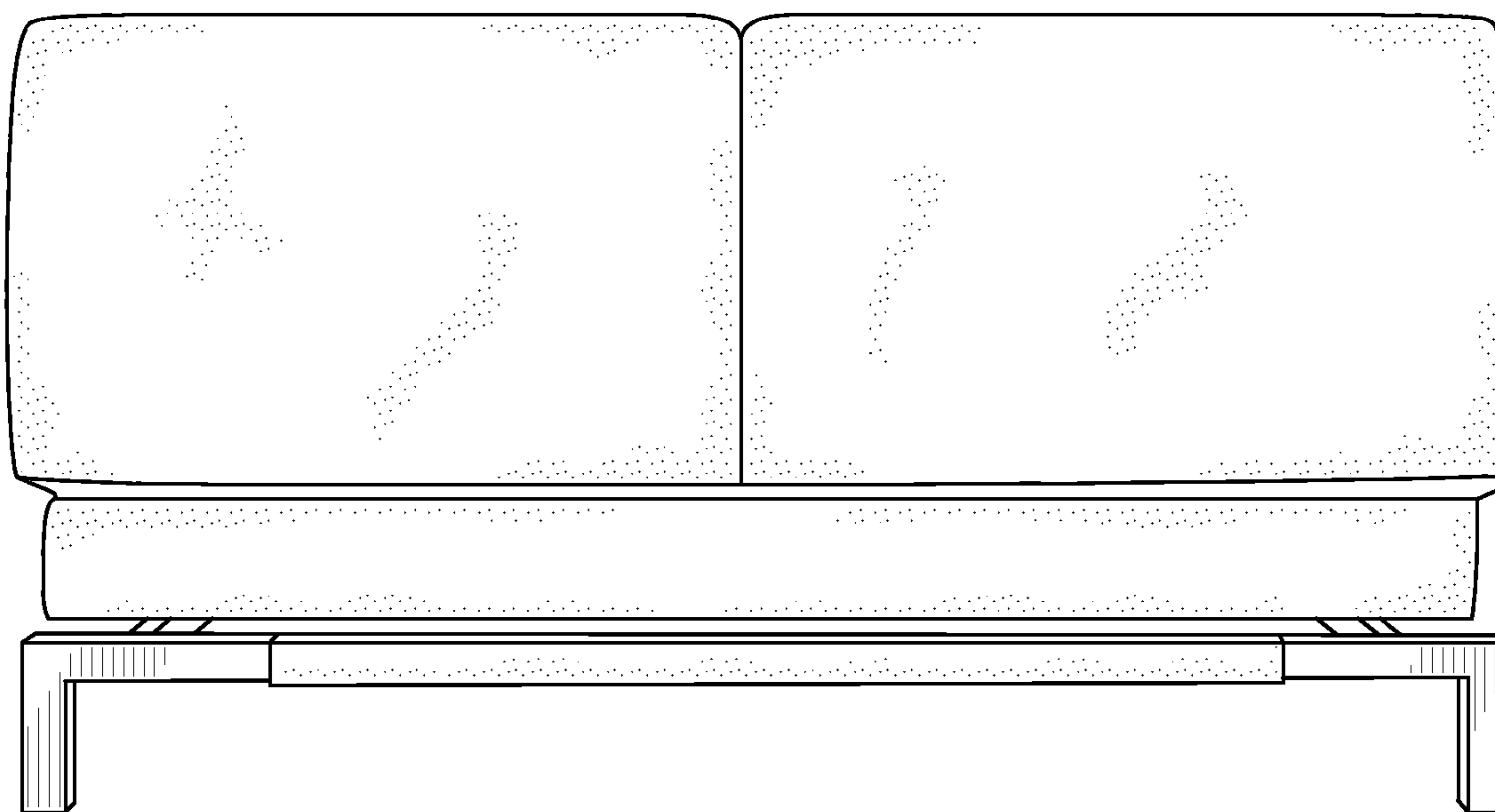


FIG. 7

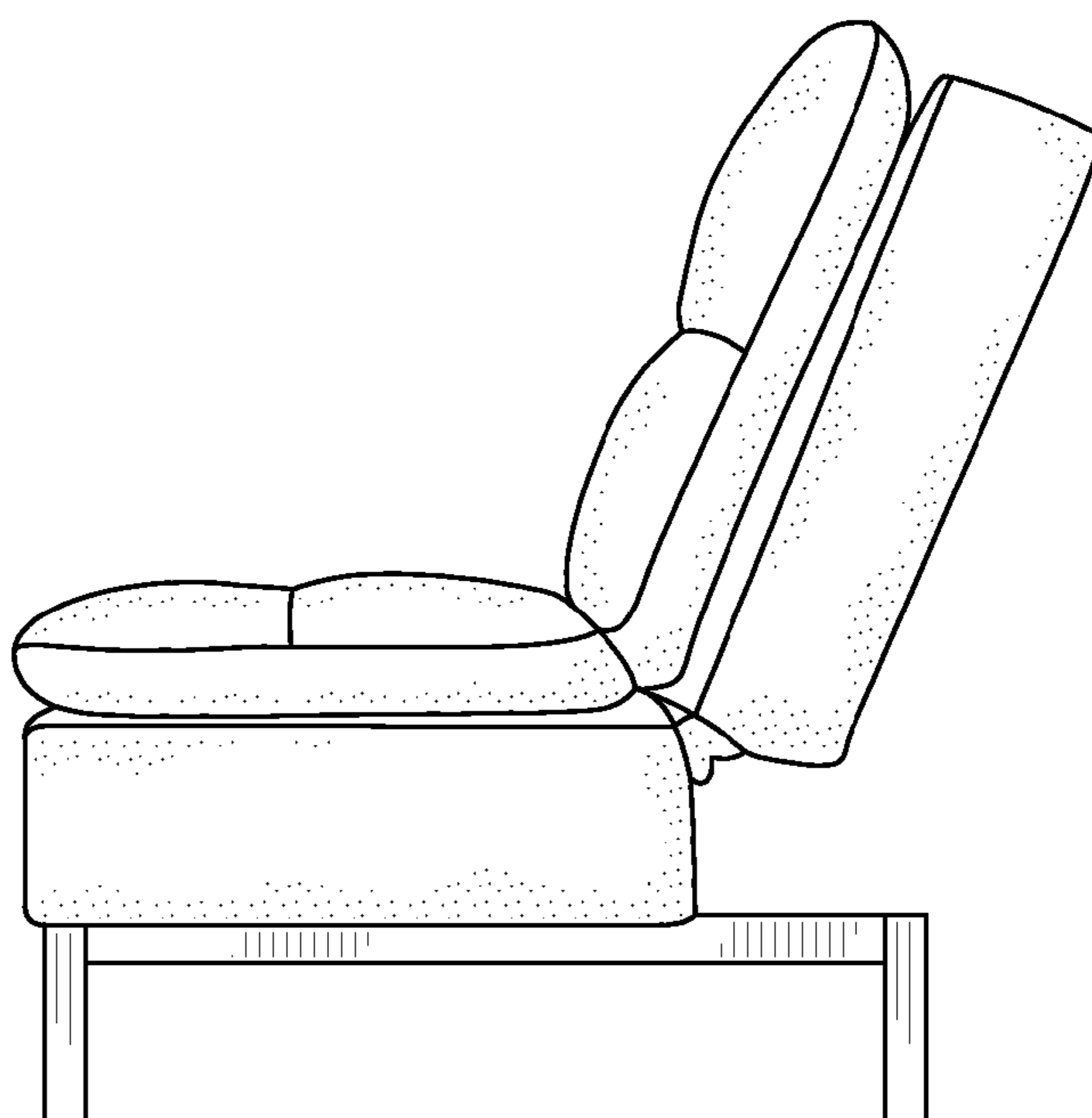


FIG. 8