



US00D635790S

(12) **United States Design Patent**
Saul

(10) **Patent No.:** **US D635,790 S**
(45) **Date of Patent:** **** Apr. 12, 2011**

(54) **CHAIR**

(75) Inventor: **Gregory M. Saul**, Charlotte, NC (US)

(73) Assignee: **Michigan Tube Swagers & Fabricators, Inc.**, Temperance, MI (US)

(**) Term: **14 Years**

(21) Appl. No.: **29/379,724**

(22) Filed: **Nov. 23, 2010**

Related U.S. Application Data

(62) Division of application No. 29/336,986, filed on May 13, 2009, now Pat. No. Des. 629,630.

(51) **LOC (9) Cl.** **06-01**

(52) **U.S. Cl.** **D6/380**

(58) **Field of Classification Search** D6/380,
D6/374, 368, 334, 375, 379, 500-502; 297/239,
297/445.1, 16.1, 55-56, 58-59, 183.1
See application file for complete search history.

(56) **References Cited**

U.S. PATENT DOCUMENTS

4,400,031	A	*	8/1983	DeDecker	297/239
D297,890	S	*	10/1988	Hockenberry et al.	D6/367
D355,985	S	*	3/1995	Karten et al.	D6/374
D433,836	S	*	11/2000	Barile, Sr.	D6/380
D439,069	S	*	3/2001	Turner et al.	D6/380
D464,493	S	*	10/2002	Stannard	D6/368
D465,940	S	*	11/2002	Nien	D6/368
D469,969	S	*	2/2003	Glass et al.	D6/374
D474,620	S	*	5/2003	Striebel	D6/374
D481,550	S	*	11/2003	Astle	D6/374
D508,339	S	*	8/2005	Astle	D6/374

D519,291	S	*	4/2006	Higgs et al.	D6/367
D560,384	S	*	1/2008	Stauber	D6/374
7,452,035	B2	*	11/2008	Astle et al.	297/440.22
D591,968	S	*	5/2009	Pinaffo et al.	D6/380
D598,667	S	*	8/2009	Kubryk	D6/369
D600,465	S	*	9/2009	Kumazawa	D6/373
D607,221	S	*	1/2010	Shen	D6/367
D608,105	S	*	1/2010	Kubryk	D6/380
D616,658	S	*	6/2010	Niermeyer	D6/368
D617,108	S	*	6/2010	Niermeyer	D6/368
D618,006	S	*	6/2010	Price et al.	D6/380
2003/0102700	A1	*	6/2003	Lin	297/183.9

* cited by examiner

Primary Examiner — Elizabeth A Albert

Assistant Examiner — Kelley A Donnelly

(74) *Attorney, Agent, or Firm* — Gifford, Krass, Sprinkle, Anderson & Citkowski, P.C.

(57) **CLAIM**

The ornamental design for a chair, as shown and described.

DESCRIPTION

FIG. 1 is a perspective view of the chair of the present invention;

FIG. 2 is a front elevational view thereof;

FIG. 3 is a side elevational view thereof;

FIG. 4 is a rear elevational view thereof;

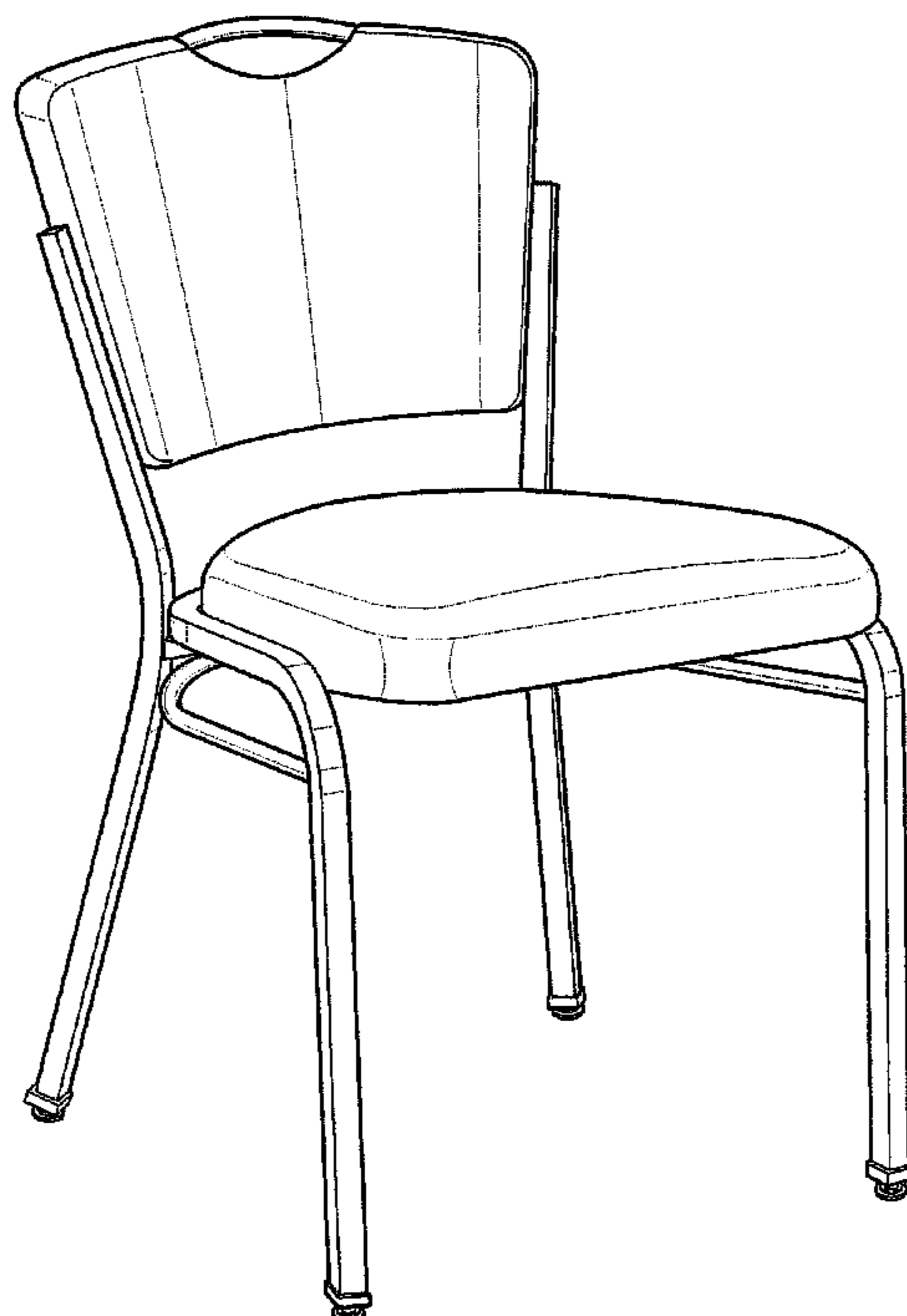
FIG. 5 is a side elevational view thereof, showing the opposite side view of FIG. 3;

FIG. 6 is a top view thereof; and,

FIG. 7 is a bottom view thereof.

The broken lines showing in FIG. 7 are for the purpose of illustrating the environment of the design only and form no part of the claimed design.

1 Claim, 4 Drawing Sheets



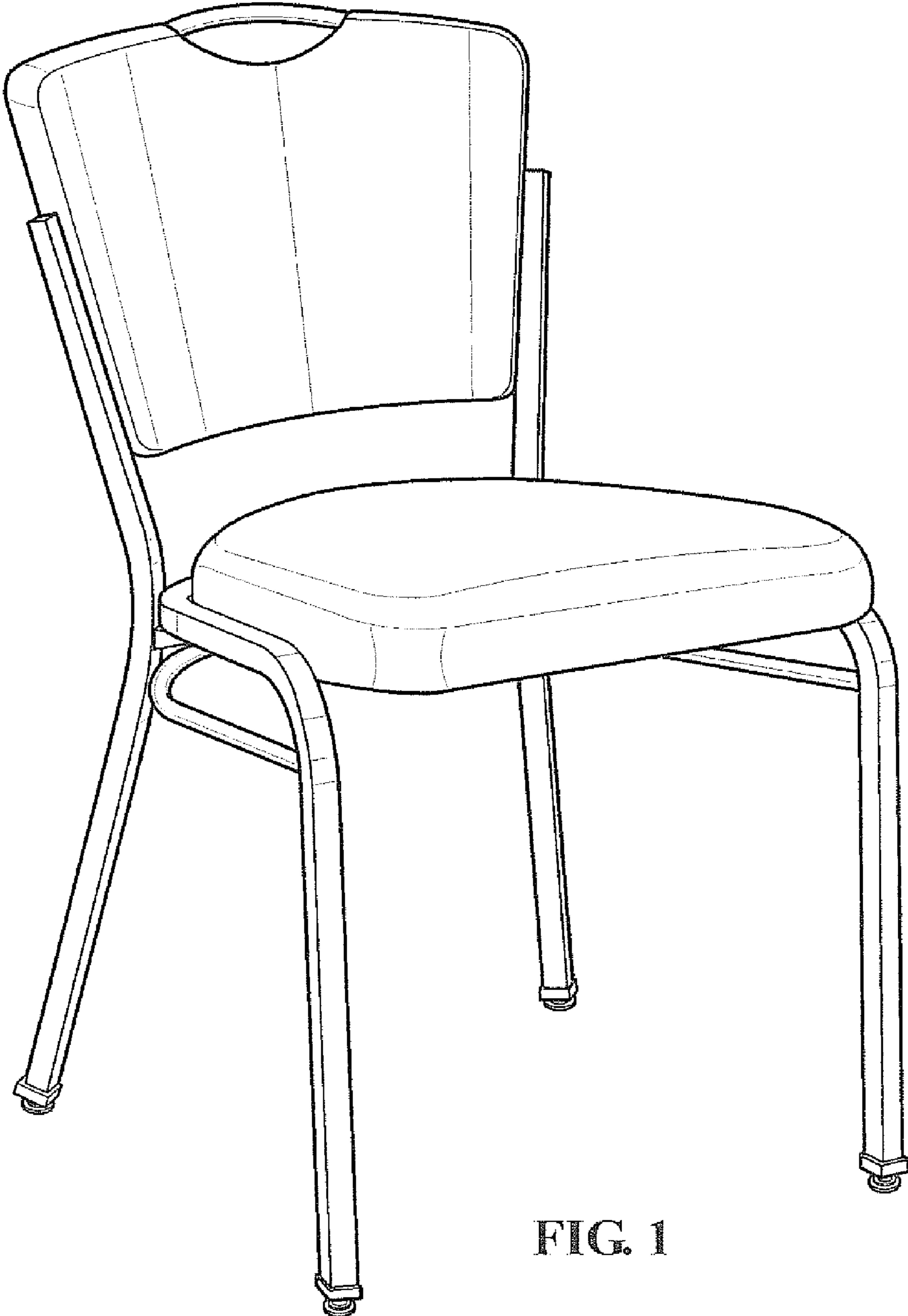


FIG. 1

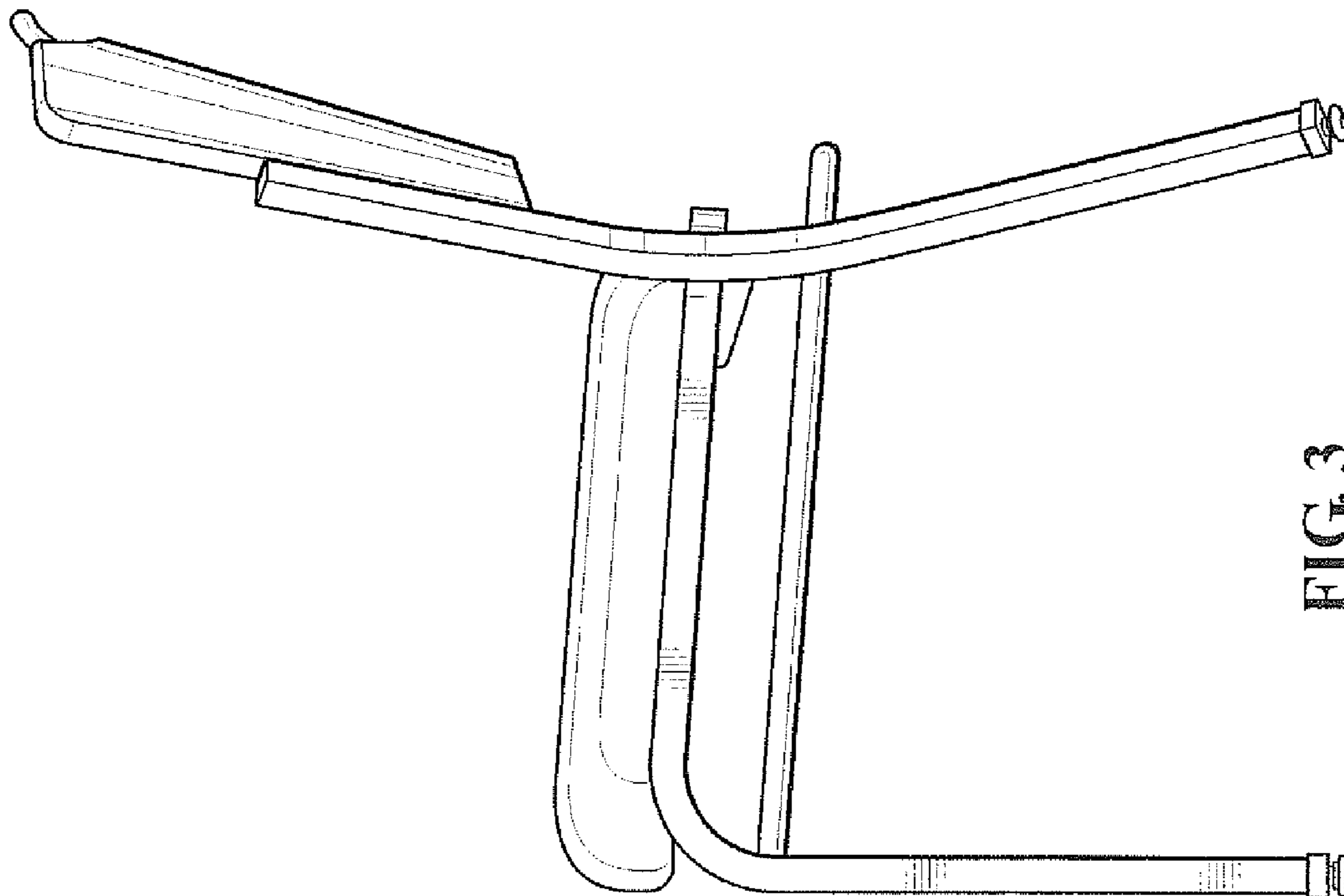


FIG. 3

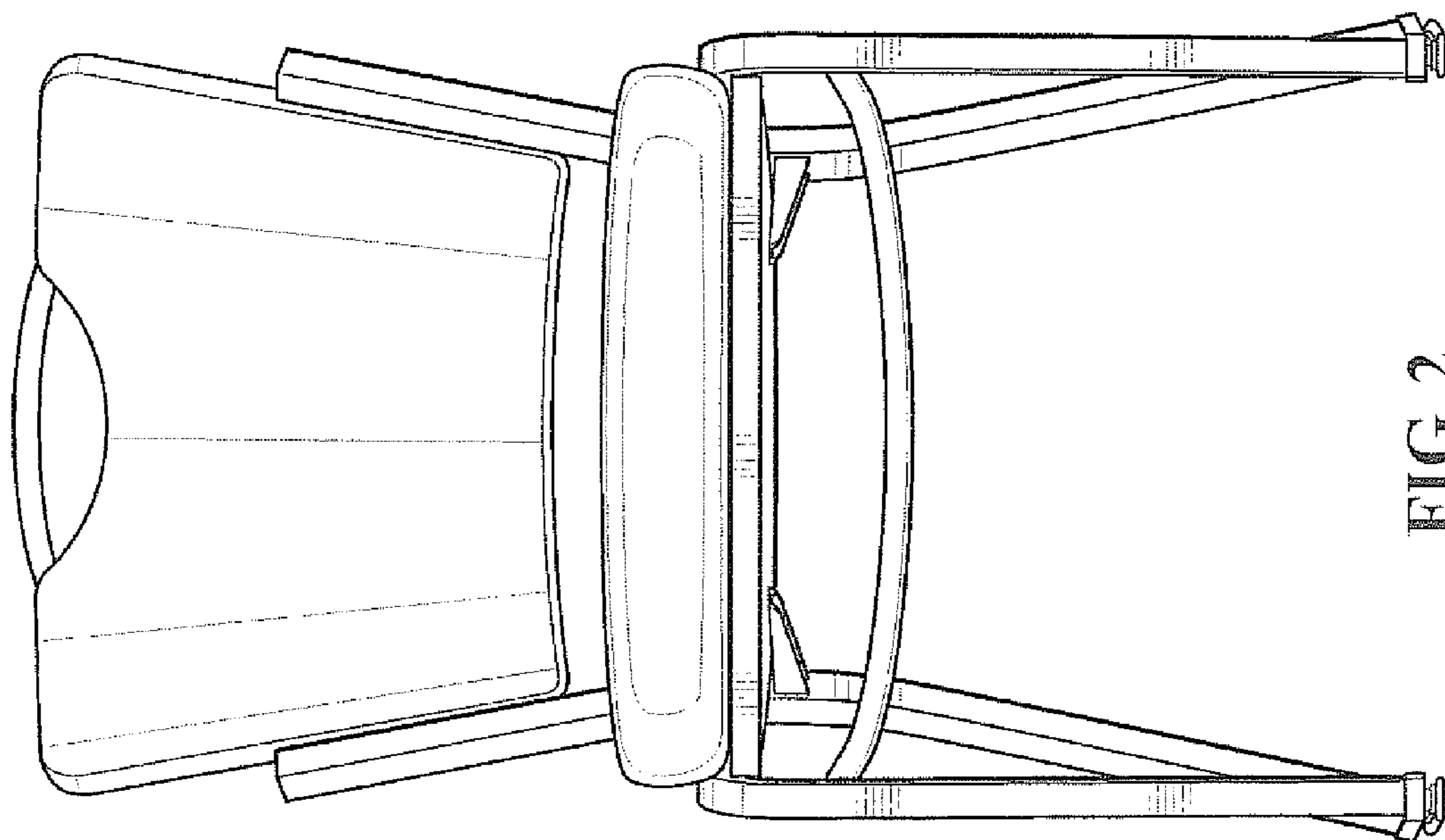


FIG. 2

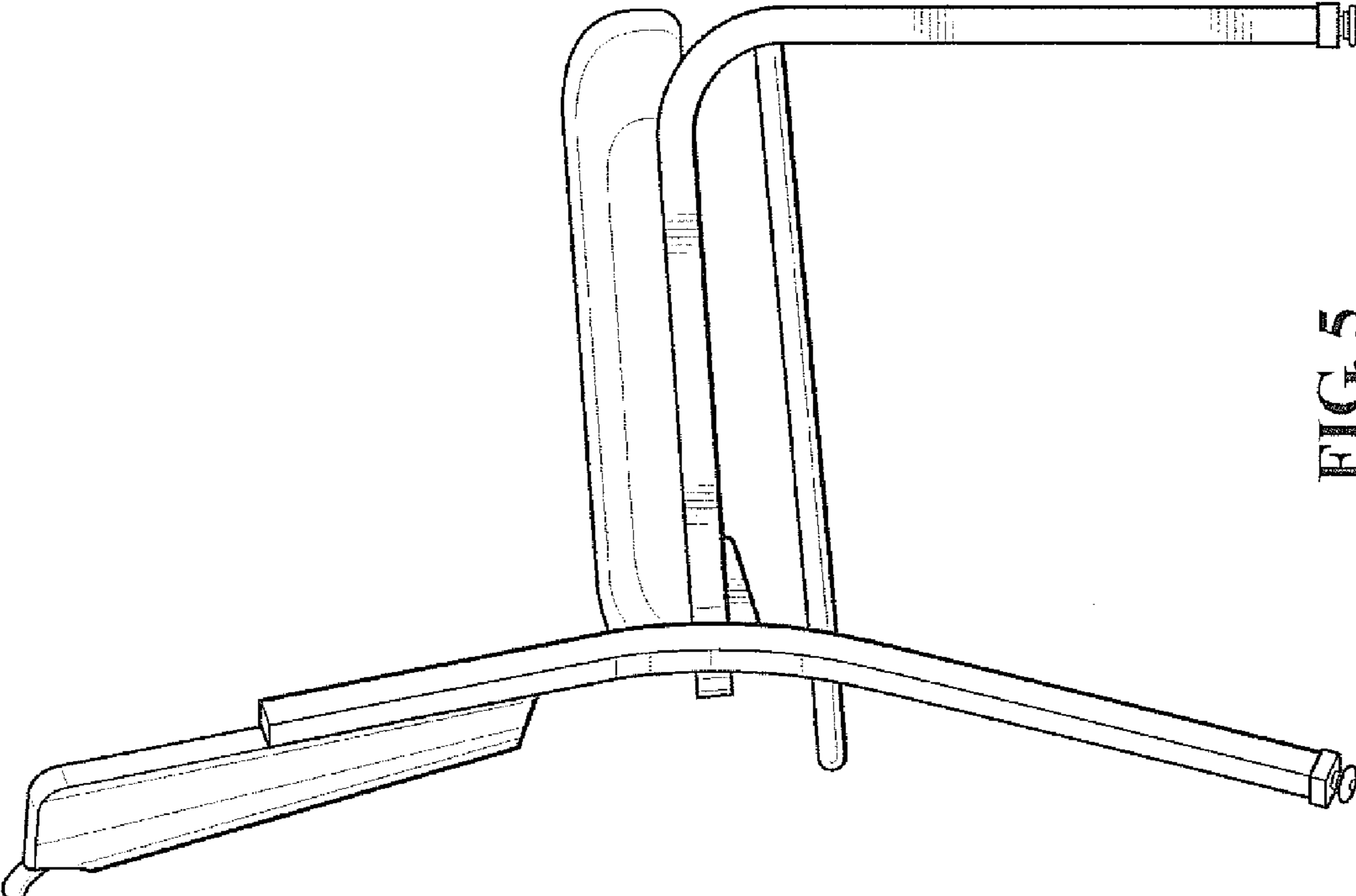


FIG. 5

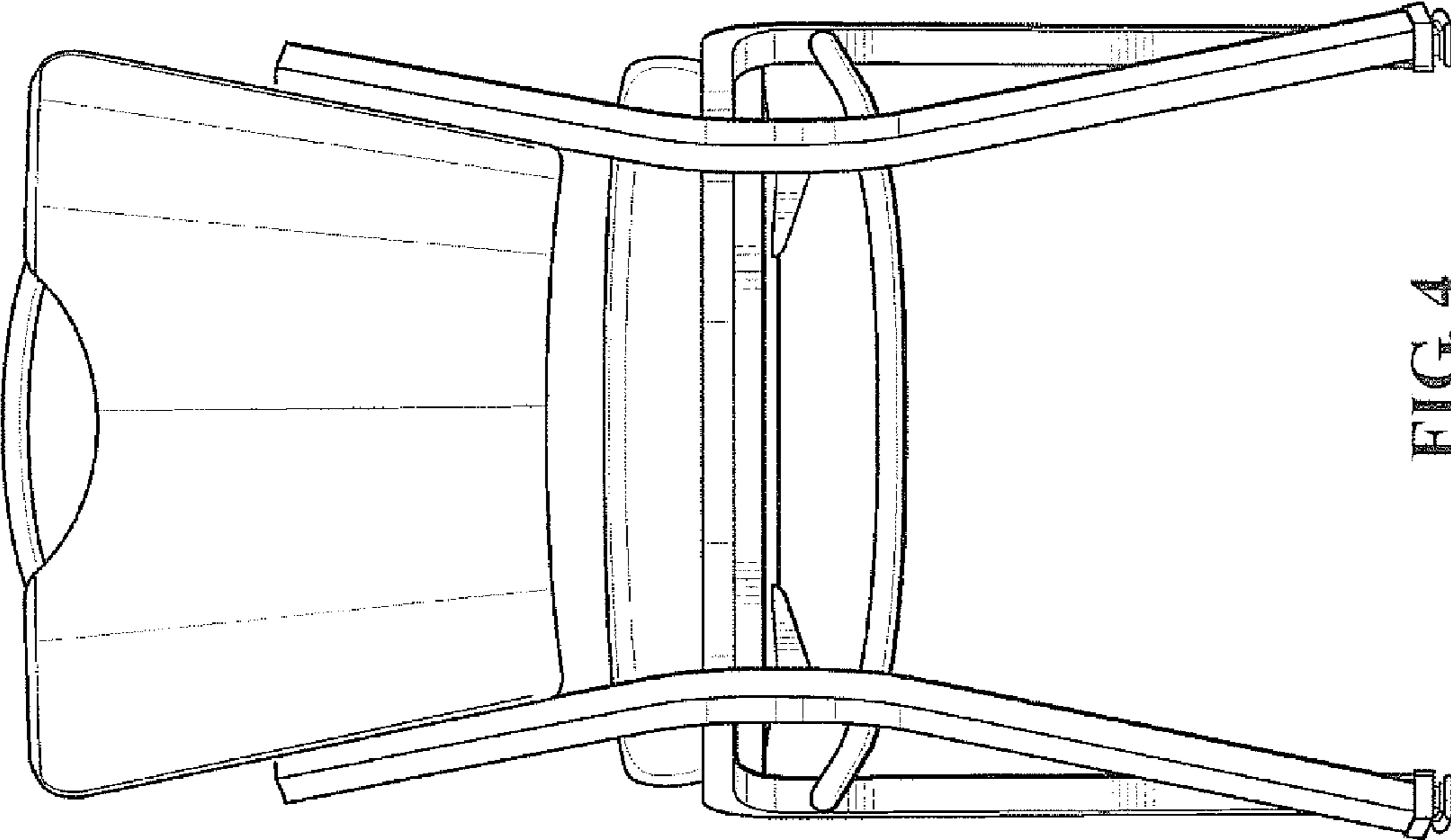


FIG. 4

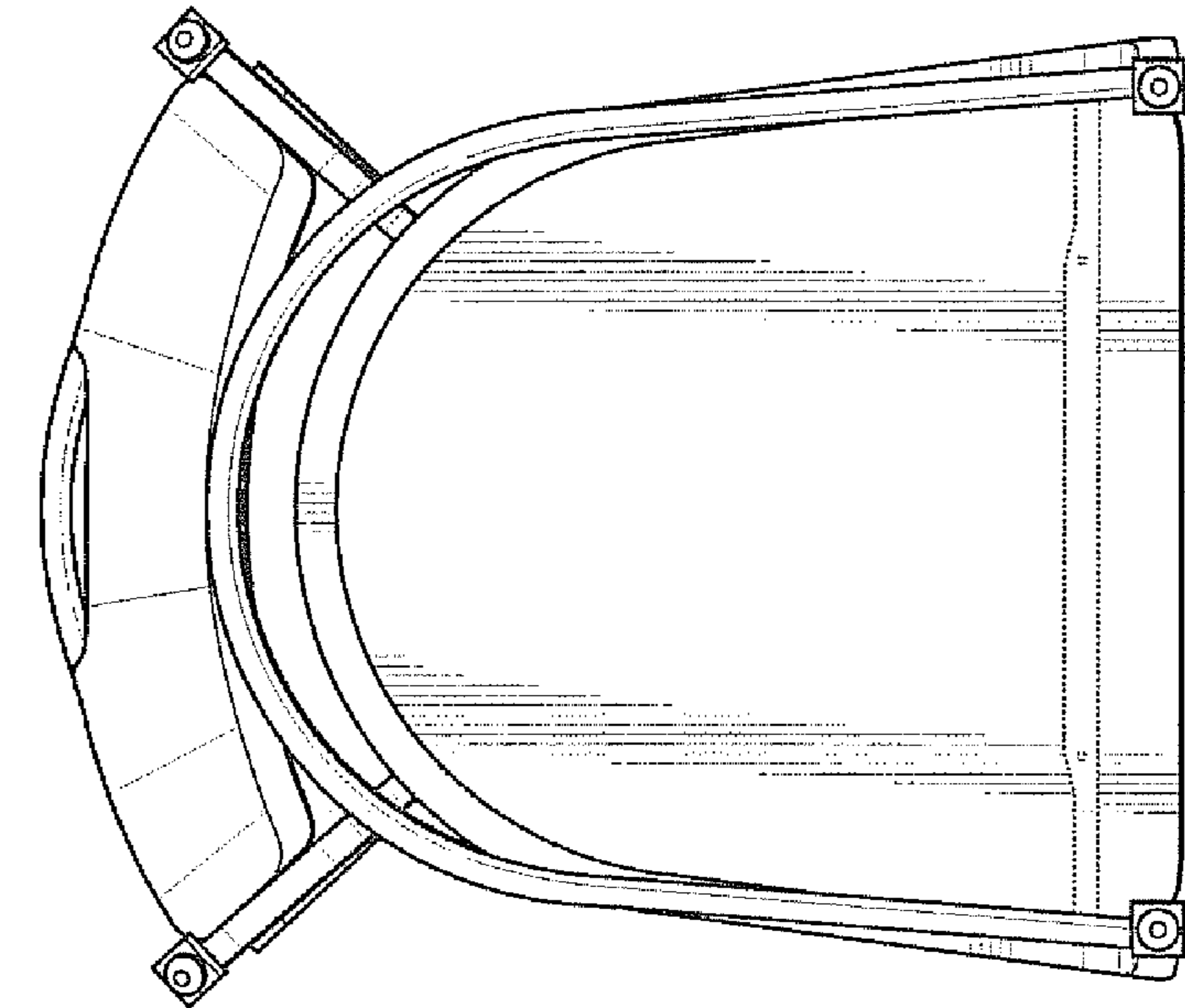


FIG. 7

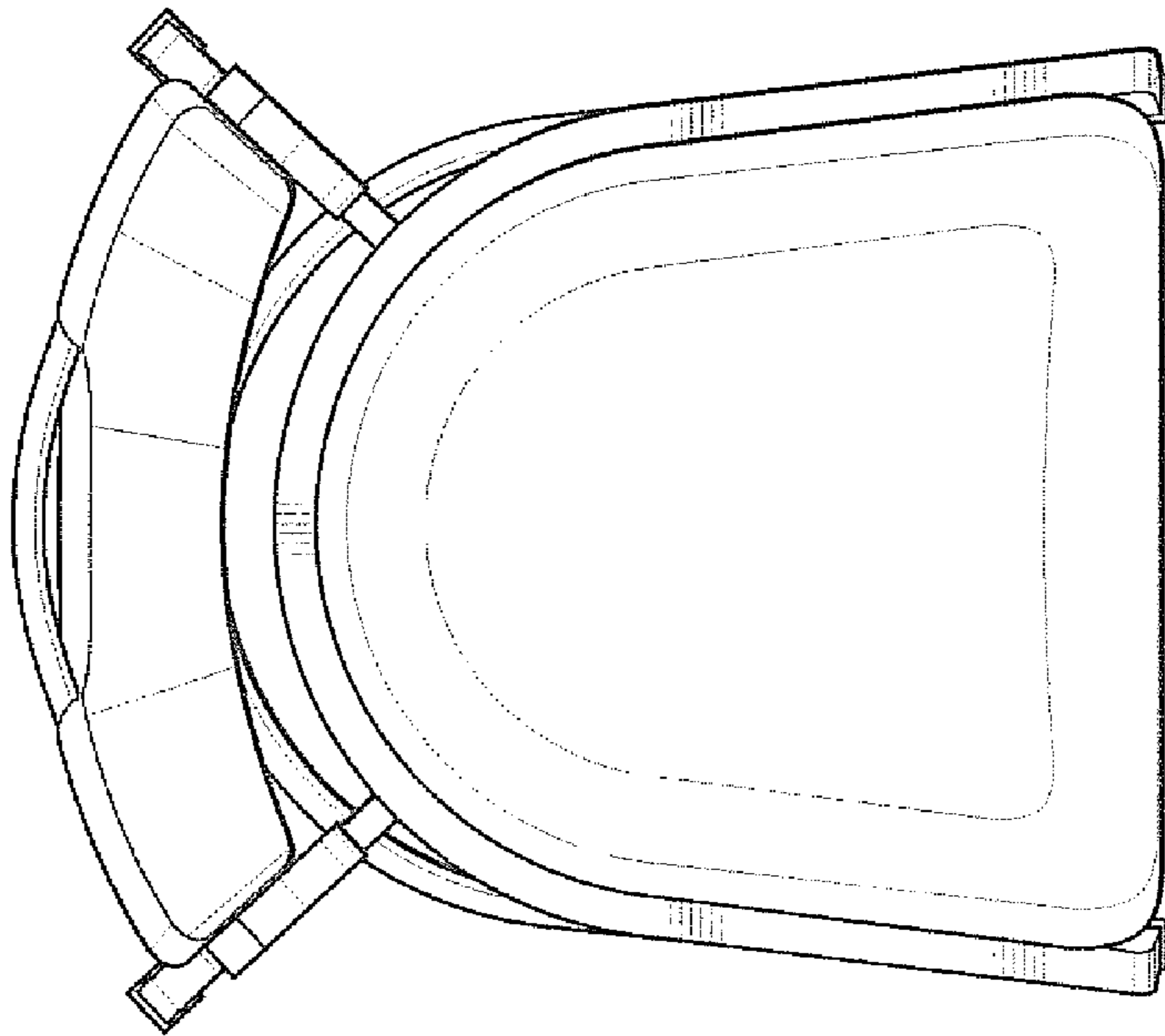


FIG. 6