



US00D635788S

(12) **United States Design Patent**  
**Schwamkrug et al.**

(10) **Patent No.:** **US D635,788 S**

(45) **Date of Patent:** **\*\* Apr. 12, 2011**

(54) **BENCH**

(75) Inventors: **Christian Schwamkrug**, Zell am See (AT); **Jörg Tragatschnig**, Zell am See (AT)

(73) Assignee: **Kusch & Co. Sitzmobelwerke GmbH & Co. KG**, Hallenberg (DE)

(\*\*) Term: **14 Years**

(21) Appl. No.: **29/354,100**

(22) Filed: **Jan. 19, 2010**

(51) **LOC (9) Cl.** ..... **06-01**

(52) **U.S. Cl.** ..... **D6/371**

(58) **Field of Classification Search** ..... D6/334-335, D6/368, 371, 373-374, 379-381, 500-502; 297/232-233, 248, 411.2, 411.42, 445.4, 297/446.1, 448.1

See application file for complete search history.

(56) **References Cited**

**U.S. PATENT DOCUMENTS**

D253,859 S *	1/1980	Hosoe	.....	D6/372
5,890,761 A *	4/1999	Miller	.....	297/232
D440,422 S *	4/2001	DeJule	.....	D6/371
D445,574 S *	7/2001	Foster	.....	D6/336

D498,077 S *	11/2004	Tonizzo	.....	D6/381
D537,648 S *	3/2007	Moschini	.....	D6/381
D549,983 S *	9/2007	Olarte	.....	D6/381
D575,073 S *	8/2008	Mitjans	.....	D6/381
D609,491 S *	2/2010	Lievore	.....	D6/381
7,828,380 B2 *	11/2010	Olarte	.....	297/248

\* cited by examiner

*Primary Examiner* — Elizabeth A Albert

*Assistant Examiner* — Kelley A Donnelly

(74) *Attorney, Agent, or Firm* — Kilpatrick Townsend & Stockton LLP

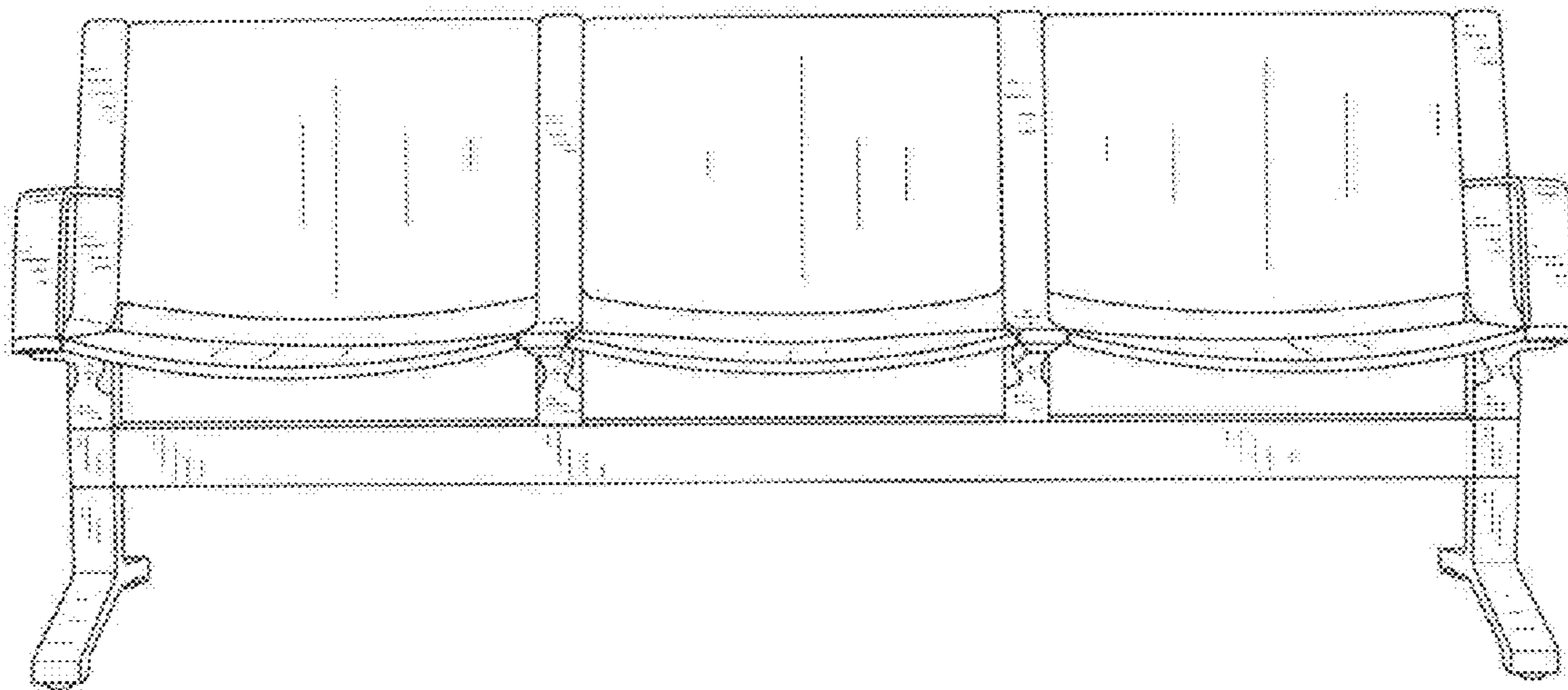
(57) **CLAIM**

The ornamental design for a bench, as shown and described.

**DESCRIPTION**

FIG. 1 is a front view of a bench showing our new design;  
 FIG. 2 is a rear view thereof;  
 FIG. 3 is a perspective side view thereof as seen from the rear;  
 FIG. 4 is a perspective side view thereof as seen from the front;  
 FIG. 5 is a side view of the bench;  
 FIG. 6 is a top view of the bench;  
 FIG. 7 is a perspective side view of the bench from below;  
 FIG. 8 is a bottom view of the bench;  
 FIG. 9 is a perspective front view of the bench as seen from the side; and,  
 FIG. 10 is another perspective front view of the bench as seen from the side.

**1 Claim, 10 Drawing Sheets**



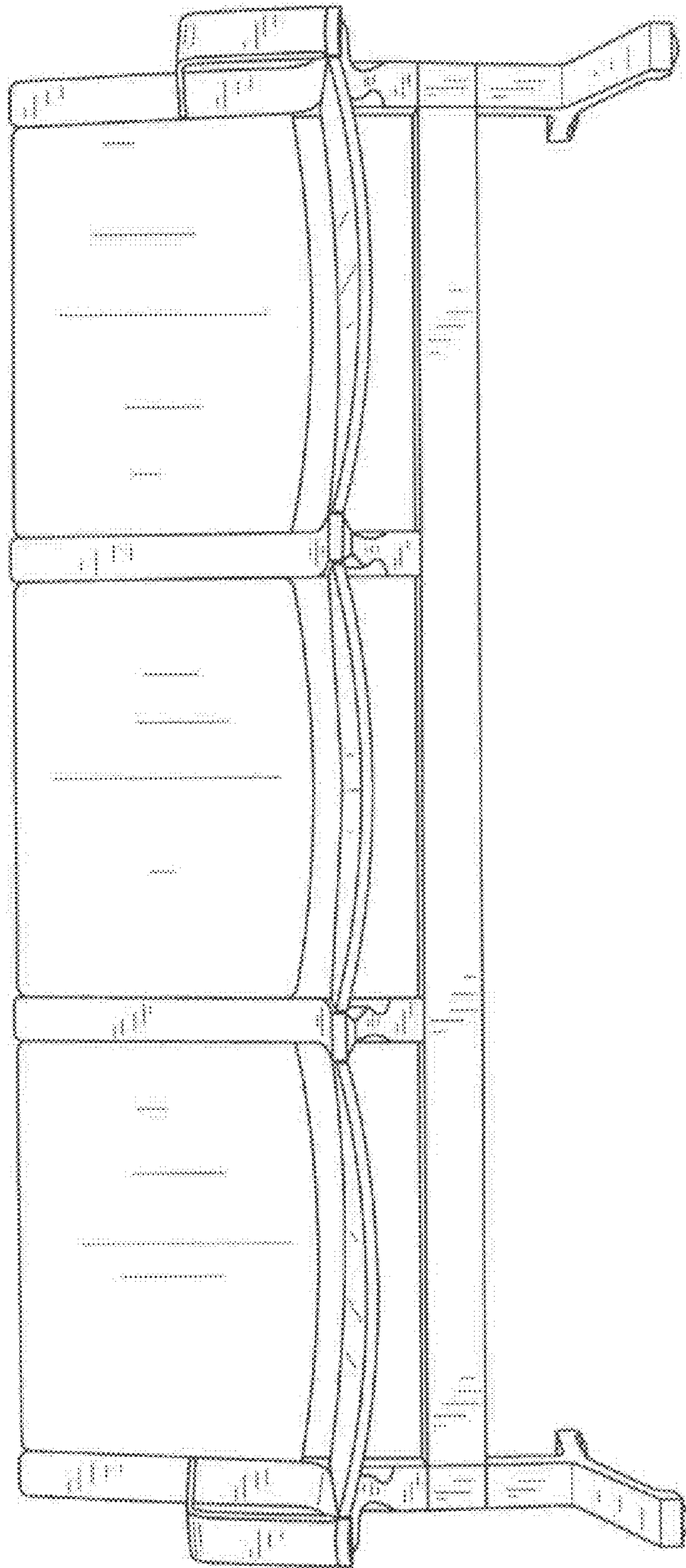


FIG.1

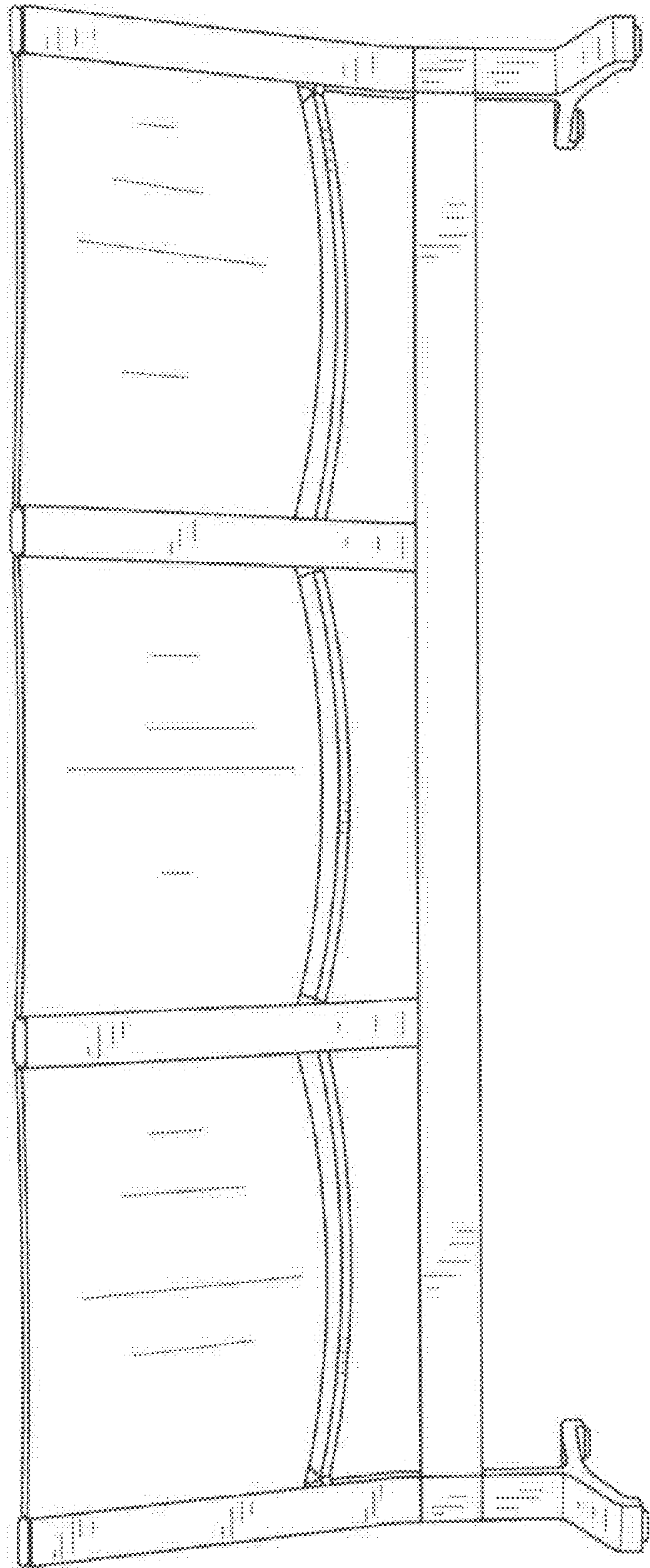


FIG. 2

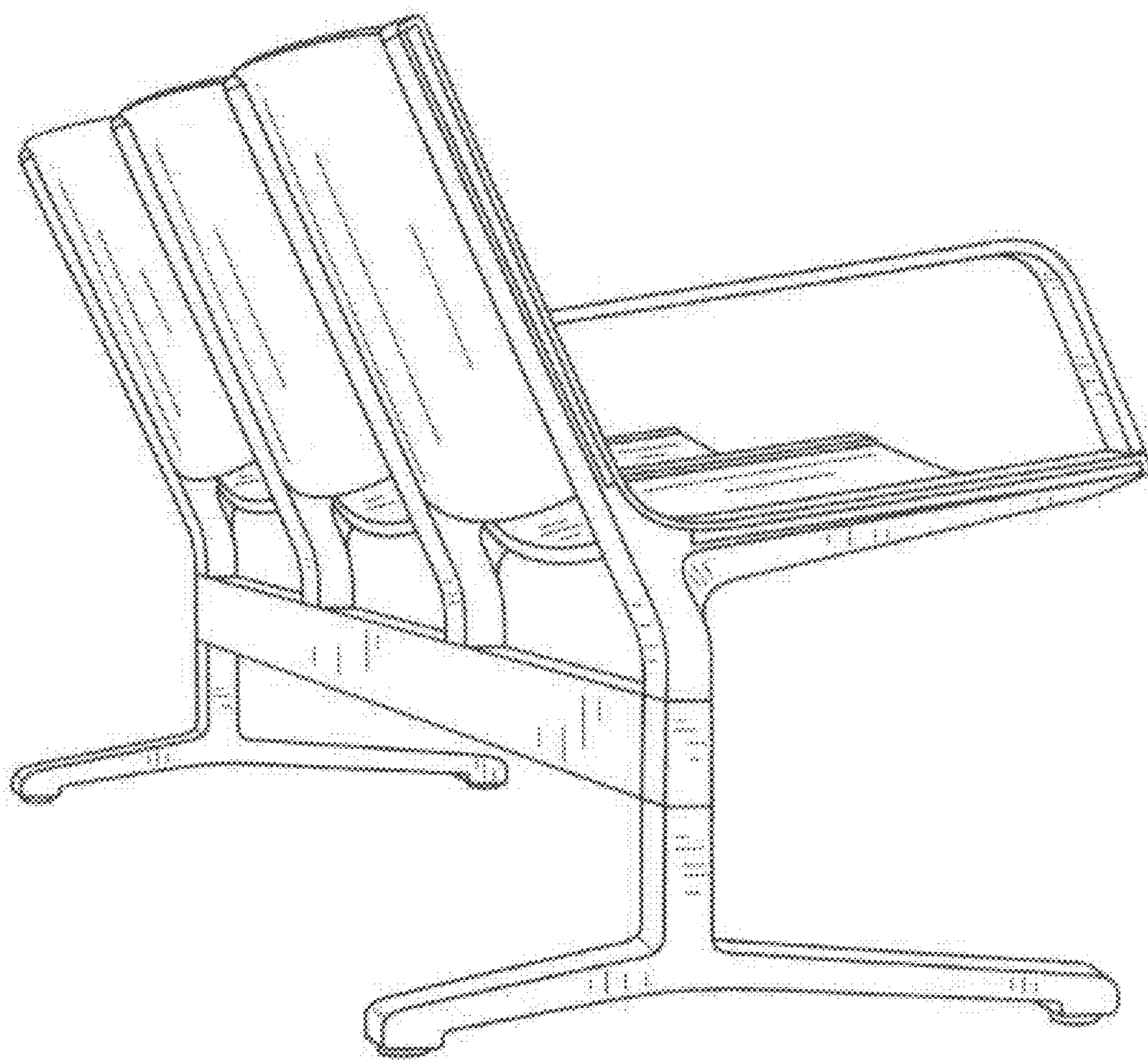


FIG. 3

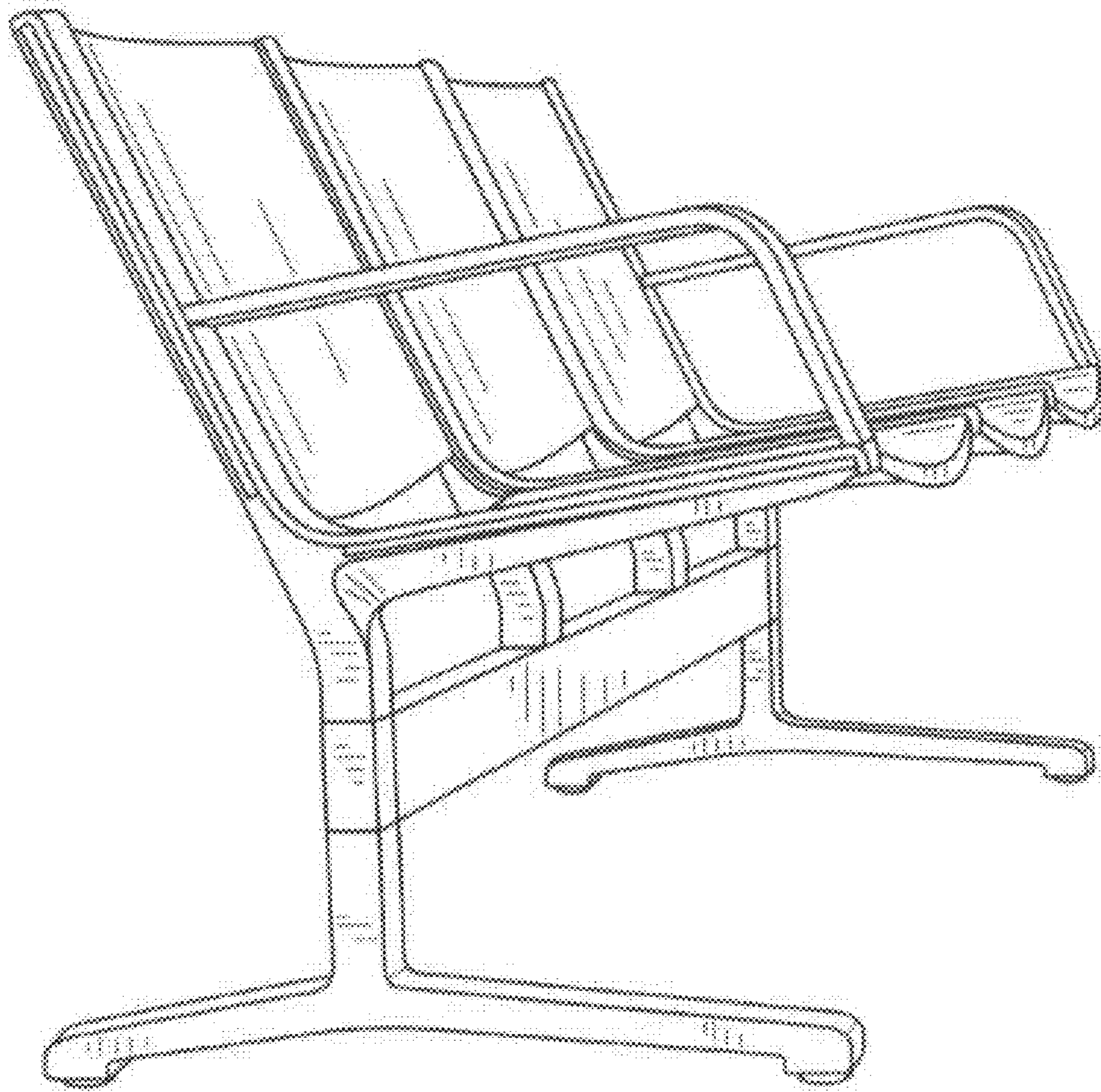


FIG. 4



FIG. 5

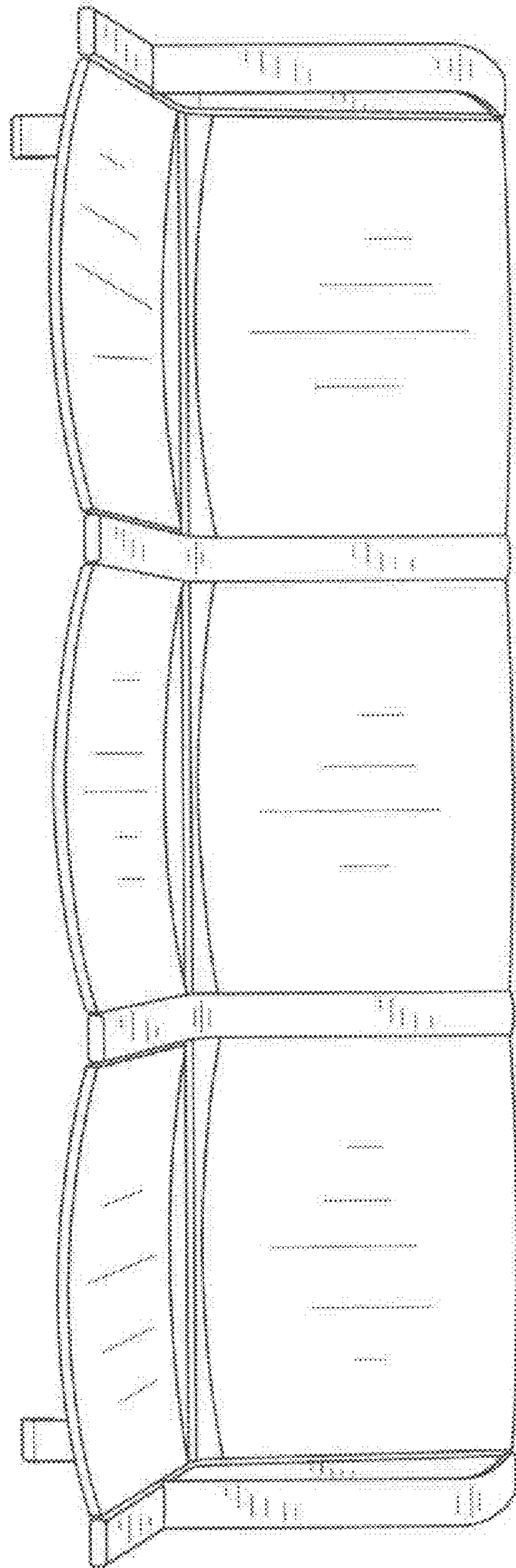


FIG. 6

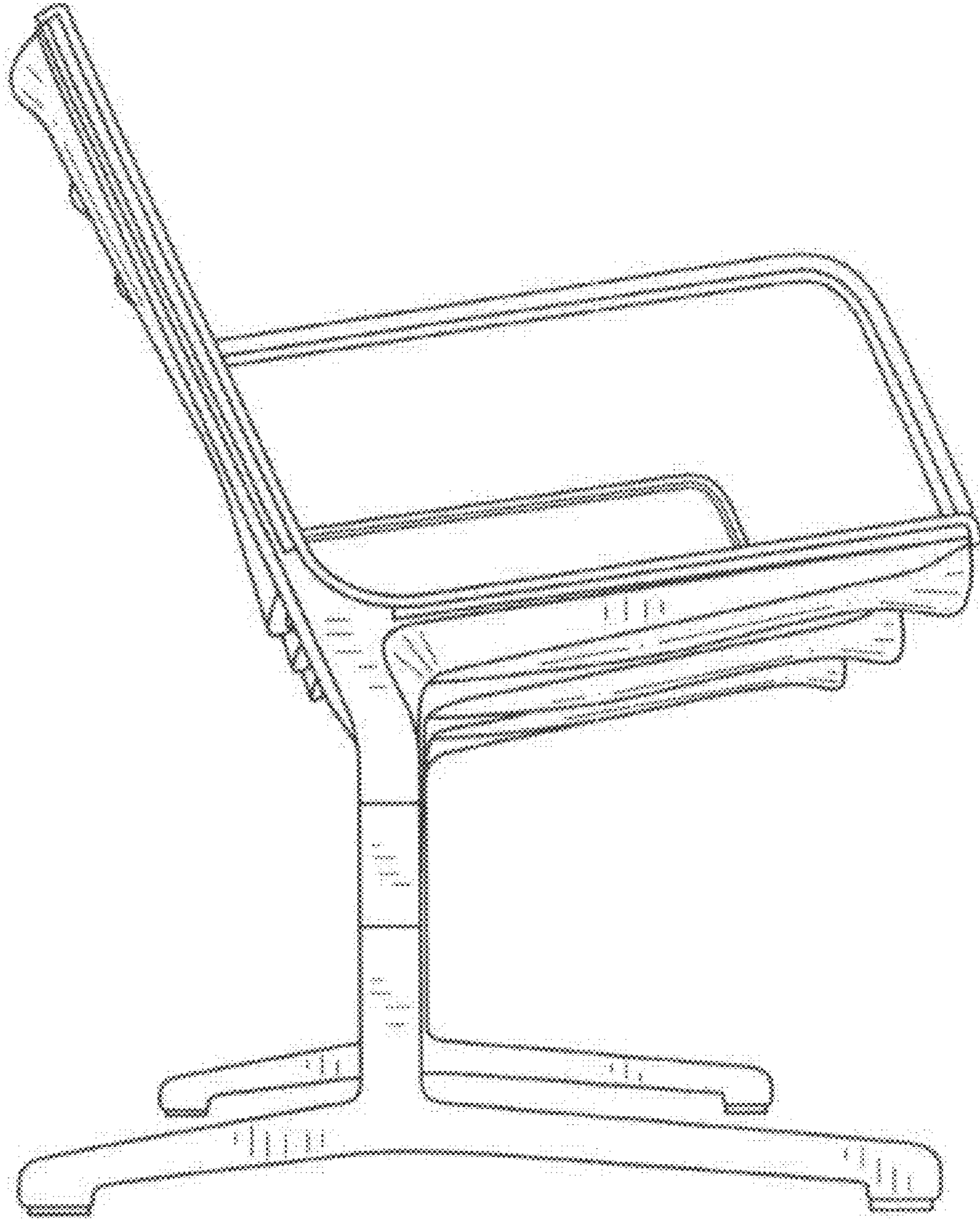


FIG. 7



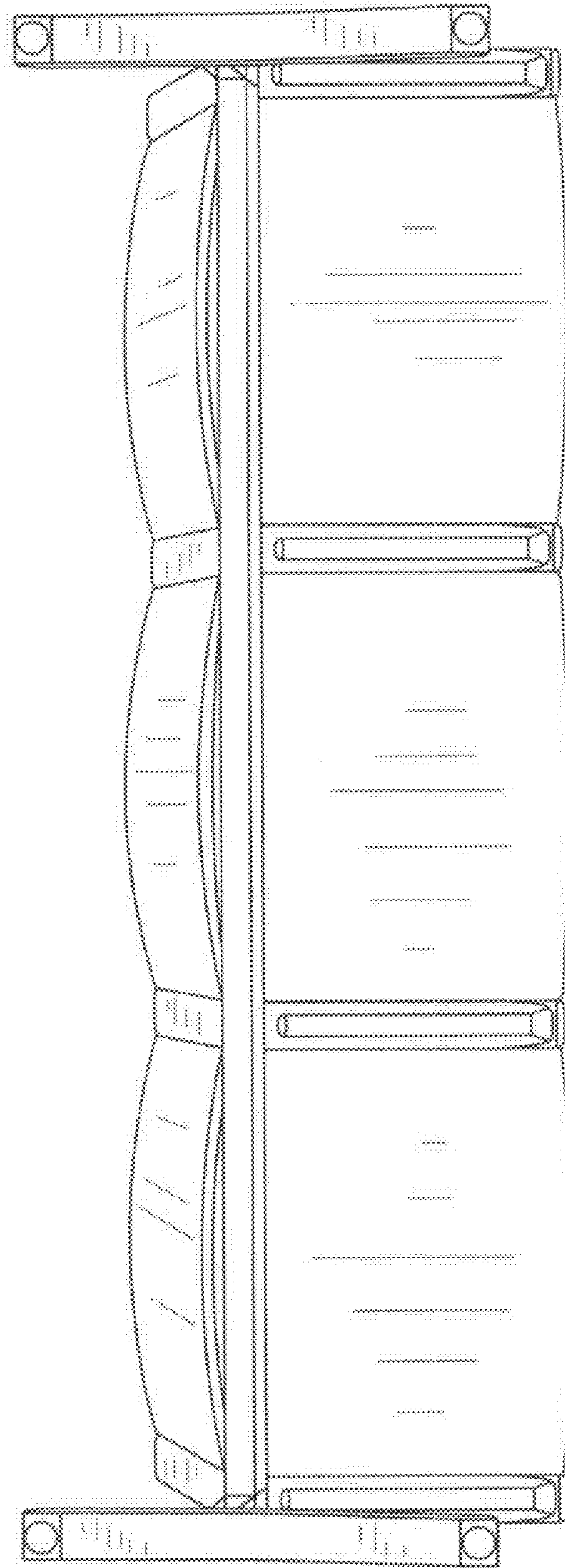


FIG. 8

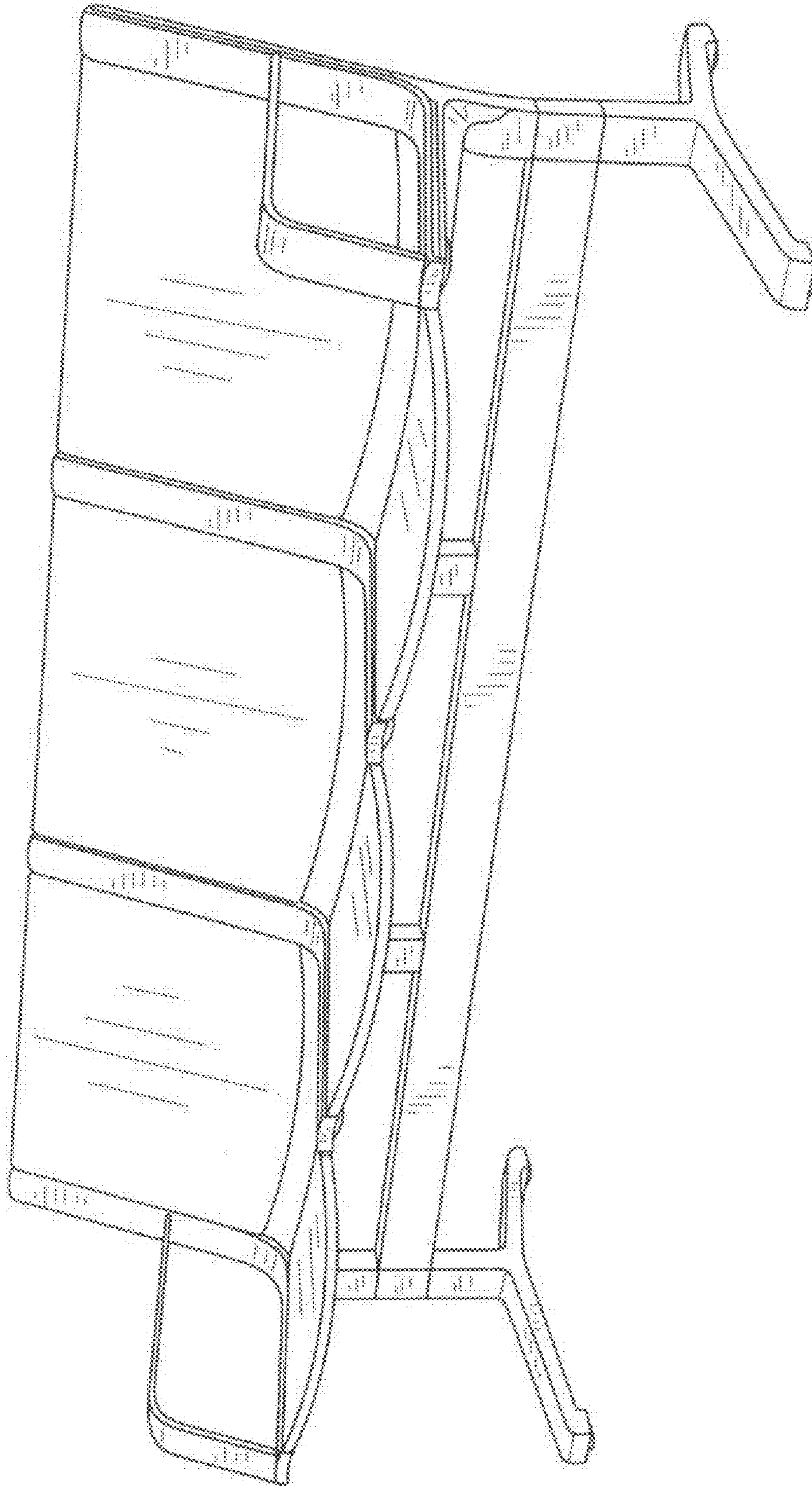


FIG. 9



FIG. 10