



US00D635786S

(12) **United States Design Patent**
Ton

(10) **Patent No.:** **US D635,786 S**

(45) **Date of Patent:** **** Apr. 12, 2011**

(54) **PEDICURE SPA**

(76) **Inventor:** **Quy That Ton**, Baton Rouge, LA (US)

(**) **Term:** **14 Years**

(21) **Appl. No.:** **29/367,272**

(22) **Filed:** **Aug. 5, 2010**

(51) **LOC (9) Cl.** **06-01**

(52) **U.S. Cl.** **D6/336**

(58) **Field of Classification Search** D6/330,
D6/335-338, 340, 349-355, 358, 359, 364,
D6/366, 376, 491, 495, 500-502; 297/16.1,
297/39, 46, 135, 140, 156, 158.3, 158.4,
297/175, 177, 187, 195.1, 195.11, 211, 245,
297/423.1, 423.16, 445.1, 461, 462; D23/277,
D23/289; D24/204

See application file for complete search history.

(56) **References Cited**

U.S. PATENT DOCUMENTS

D457,018 S *	5/2002	Park	D6/495
6,503,212 B2 *	1/2003	Park	601/158
D498,599 S *	11/2004	Luong	D6/336
D561,903 S *	2/2008	Ton	D24/204
D569,986 S *	5/2008	Ton	D24/204
D571,018 S *	6/2008	Ton et al.	D24/204
D571,961 S *	6/2008	Nguyen	D28/56
D588,707 S *	3/2009	Mai et al.	D24/213
D608,898 S *	1/2010	Ton	D24/204
D612,509 S *	3/2010	Tran	D24/204

D616,560 S *	5/2010	Cong	D24/204
D616,581 S *	5/2010	Bertken	D26/48
D618,815 S *	6/2010	Dang	D24/204
D619,727 S *	7/2010	Le	D24/204
D620,126 S *	7/2010	Le	D24/204
D622,858 S *	8/2010	Jan	D24/204

* cited by examiner

Primary Examiner — Sandra Snapp

(74) *Attorney, Agent, or Firm* — Duane Morris LLP

(57) **CLAIM**

The ornamental design for a pedicure spa, as shown and described.

DESCRIPTION

FIG. 1 is a perspective view showing the front, left and upper side of my new pedicure spa;

FIG. 2 is a top view of the pedicure spa, such as that shown in FIG. 1;

FIG. 3 is a left side view of the pedicure spa, such as that shown in FIG. 1;

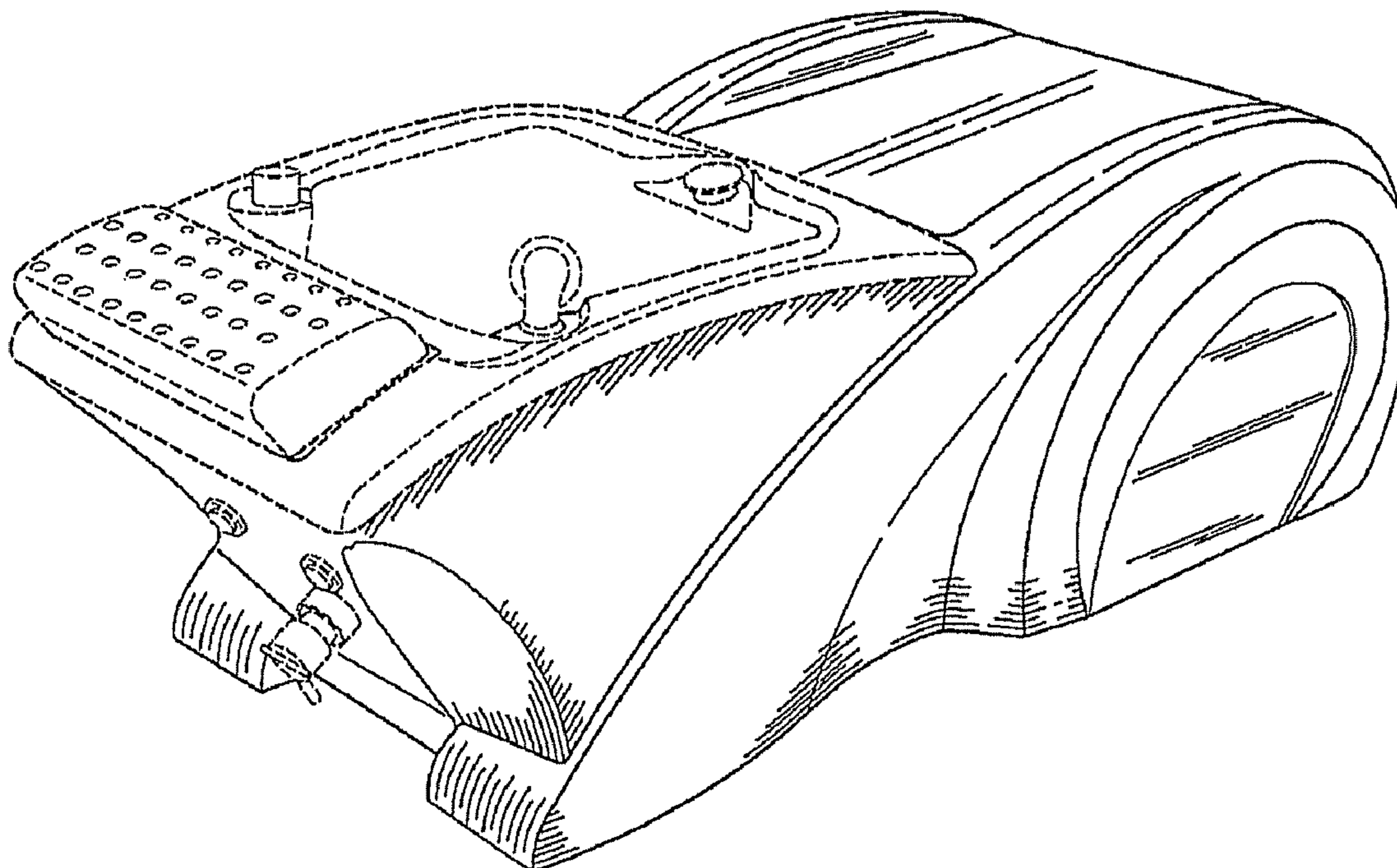
FIG. 4 is a right side view of the pedicure spa, such as that shown in FIG. 1;

FIG. 5 is a front view of the pedicure spa, such as that shown in FIG. 1; and,

FIG. 6 is a rear view of the pedicure spa, such as that shown in FIG. 1.

The broken lines shown in the drawings are for illustrative purposes only and form no part of the claimed design.

1 Claim, 3 Drawing Sheets



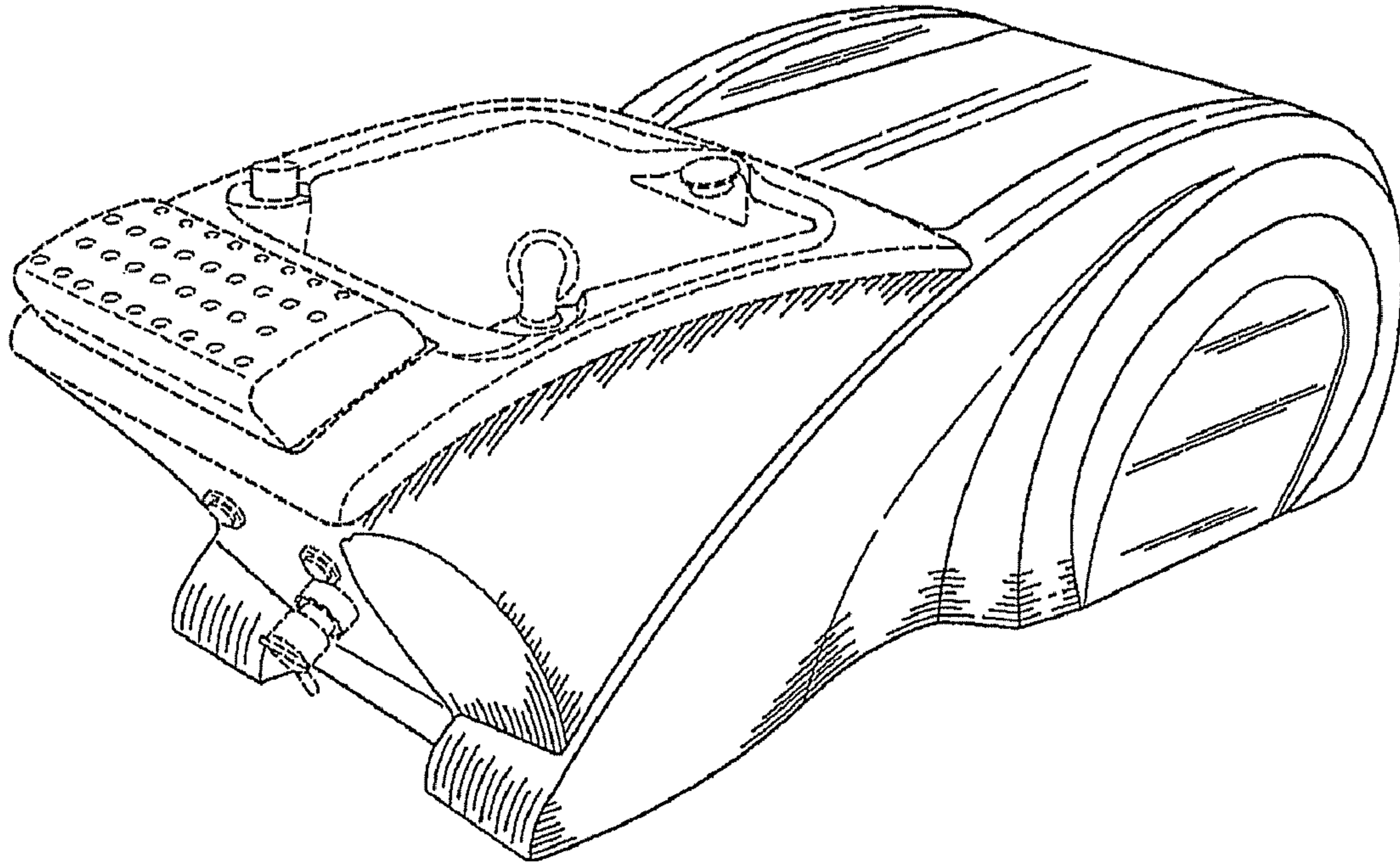


FIG. 1

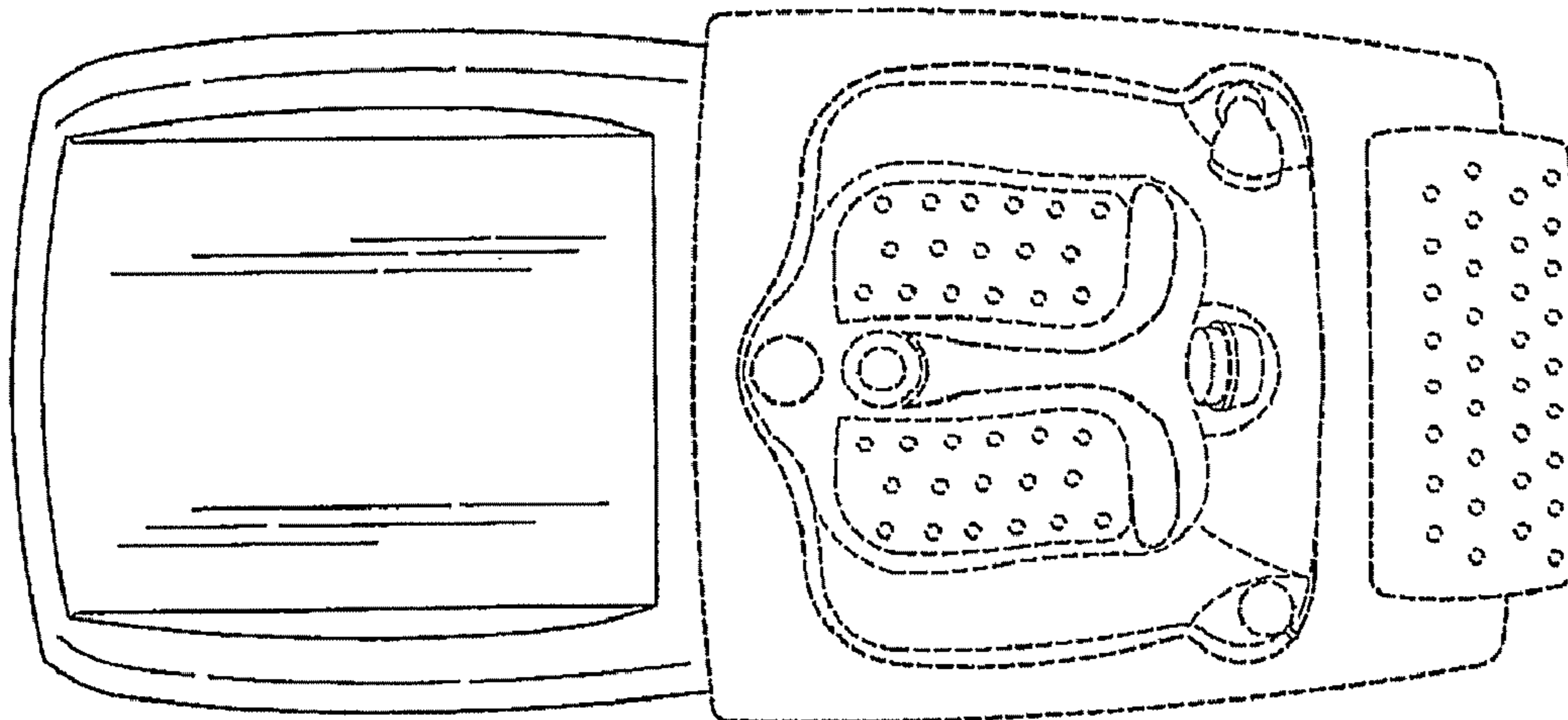


FIG. 2

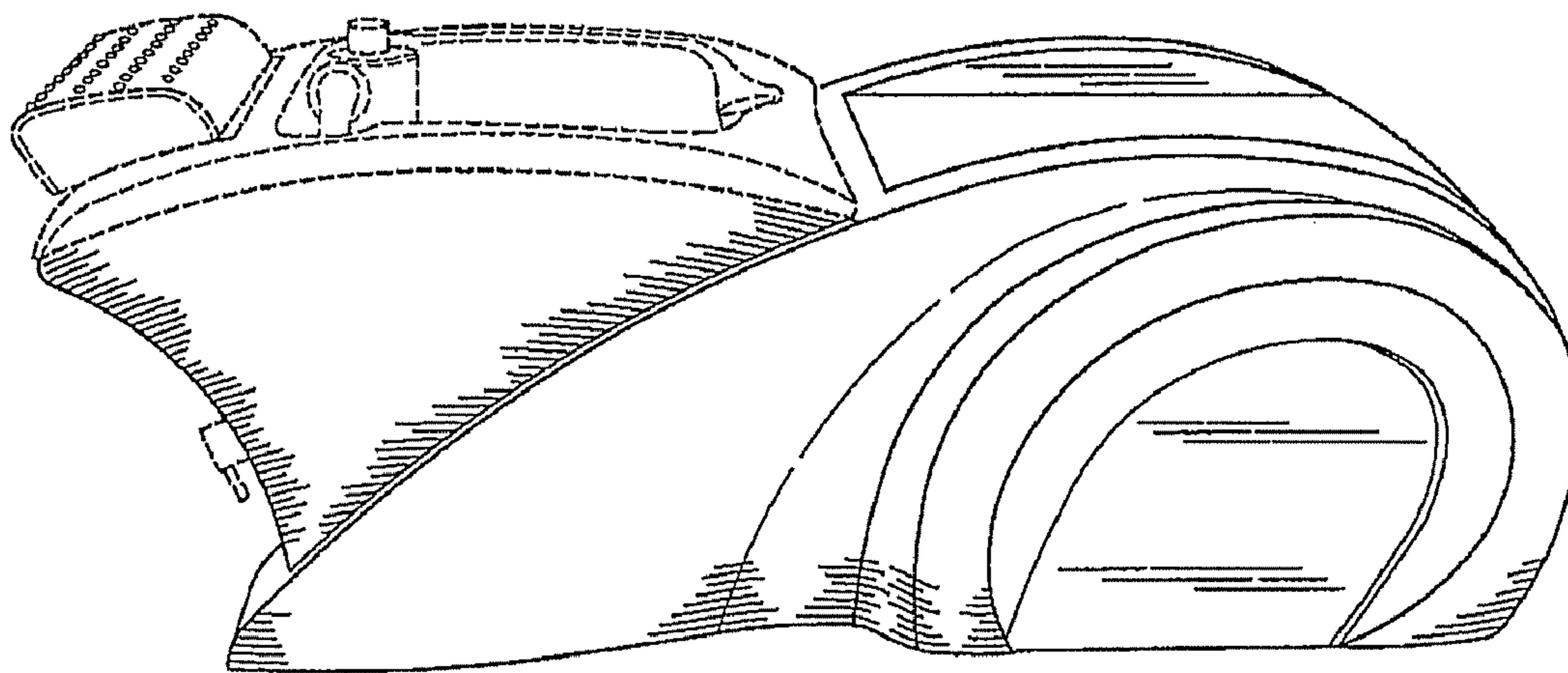


FIG. 3

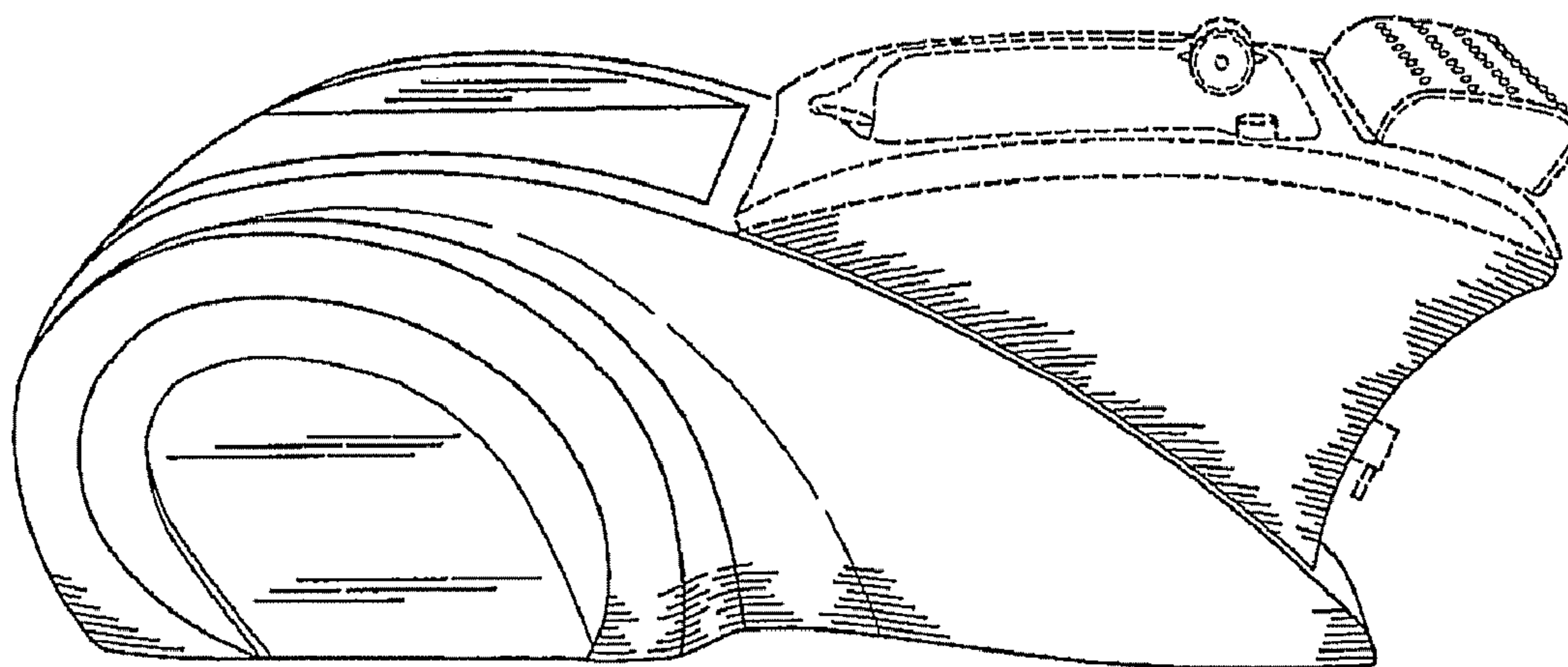


FIG. 4

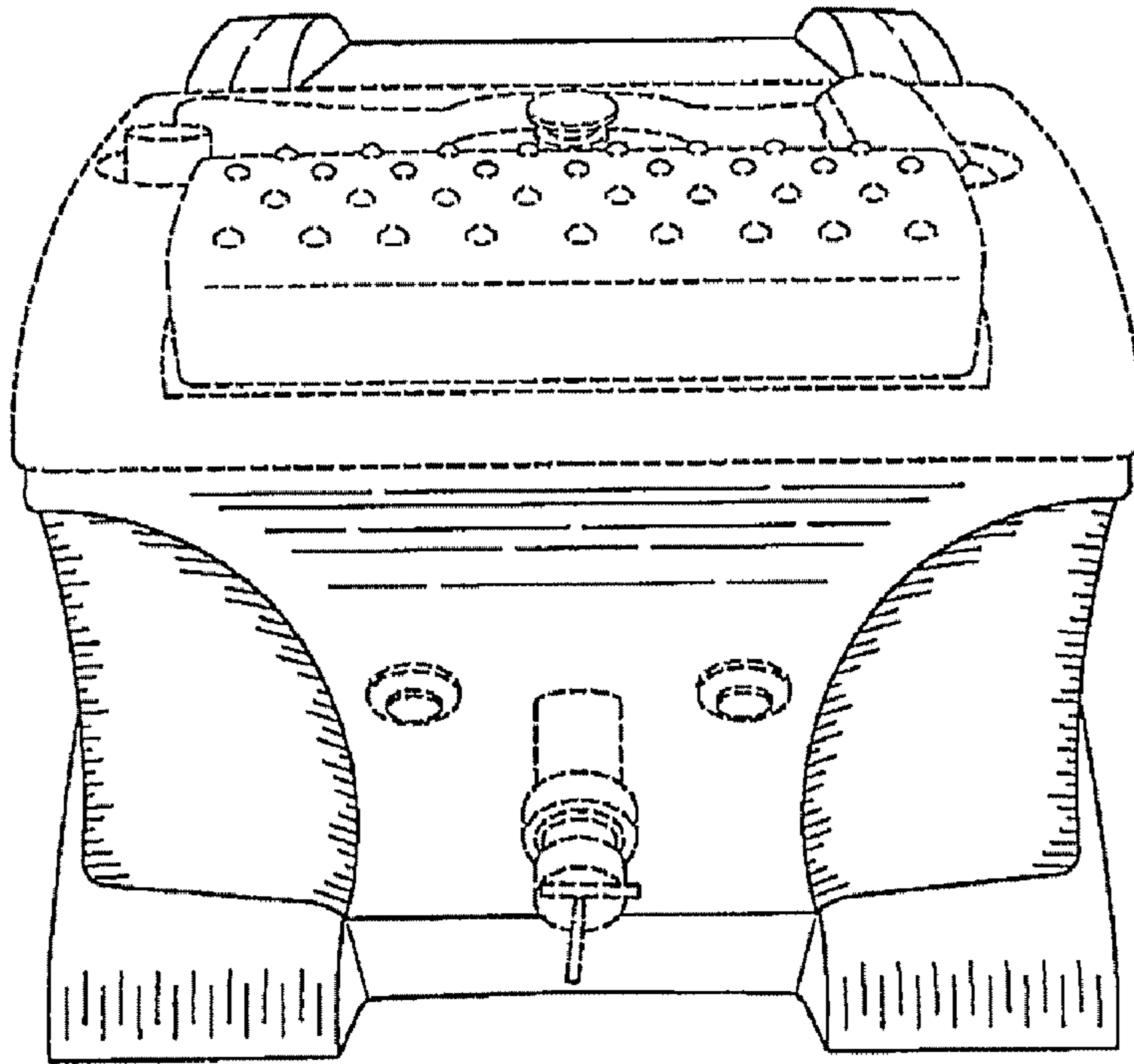


FIG. 5

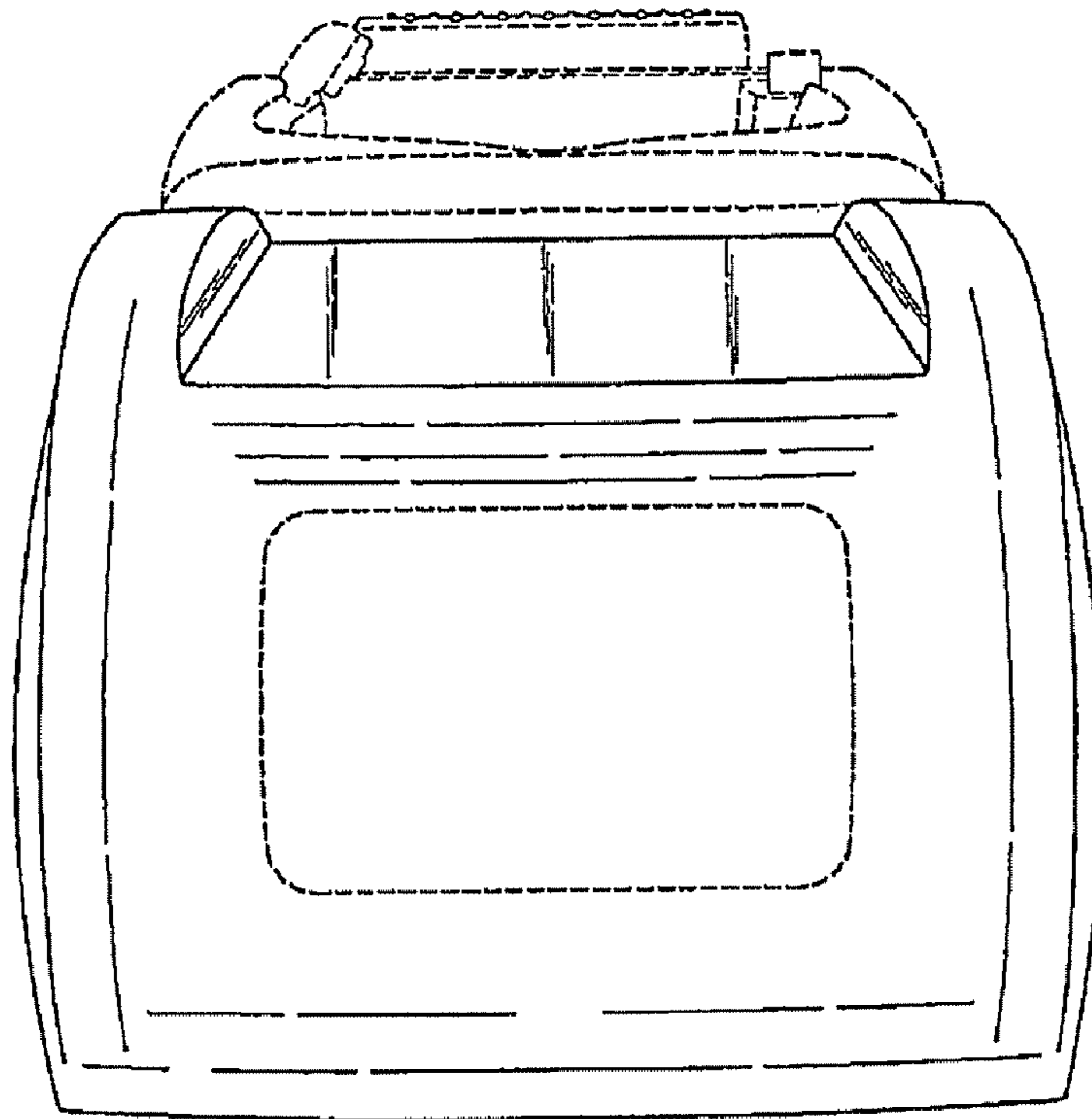


FIG. 6