



US00D635776S

(12) **United States Design Patent**
Bellot

(10) **Patent No.:** **US D635,776 S**

(45) **Date of Patent:** **** Apr. 12, 2011**

(54) **LINT ROLLER COVER**

(76) Inventor: **Marty R. Bellot**, Lafayette, LA (US)

(**) Term: **14 Years**

(21) Appl. No.: **29/381,213**

(22) Filed: **Dec. 16, 2010**

(51) **LOC (9) Cl.** **04-99**

(52) **U.S. Cl.** **D4/199**

(58) **Field of Classification Search** D4/122,
D4/199; 15/104.001, 104.002, 247, 248.2;
D3/201, 229, 316; 206/15.3, 225, 361, 362.3,
206/389, 407, 411, 446, 447

See application file for complete search history.

(56) **References Cited**

U.S. PATENT DOCUMENTS

| | | | | | |
|-----------|-----|---------|---------------|-------|------------|
| 1,010,346 | A * | 11/1911 | Burn | | 206/0.82 |
| 3,623,179 | A * | 11/1971 | Roth | | 15/104.001 |
| 4,290,523 | A * | 9/1981 | Wallace | | 206/0.82 |
| 4,361,923 | A | 12/1982 | McKay | | |
| 4,541,528 | A * | 9/1985 | Holmes | | 206/0.82 |
| 5,333,341 | A | 8/1994 | Heneveld | | |
| 5,966,902 | A * | 10/1999 | Korycki | | 53/397 |
| D475,537 | S * | 6/2003 | Jessen et al. | | D4/199 |
| D545,065 | S * | 6/2007 | Smith | | D4/199 |
| D598,658 | S * | 8/2009 | Peppard | | D4/199 |

| | | | | | |
|--------------|------|---------|---------|-------|------------|
| 7,600,286 | B2 | 10/2009 | Schmidt | | |
| 2005/0183223 | A1 * | 8/2005 | Cheng | | 15/104.002 |
| 2006/0230558 | A1 | 10/2006 | DeRoma | | |
| 2010/0133135 | A1 * | 6/2010 | Shelby | | 206/446 |

* cited by examiner

Primary Examiner — Melanie H Tung

Assistant Examiner — Lavone D Tabor

(74) *Attorney, Agent, or Firm* — Crossley Patent Law; Mark A. Crossley

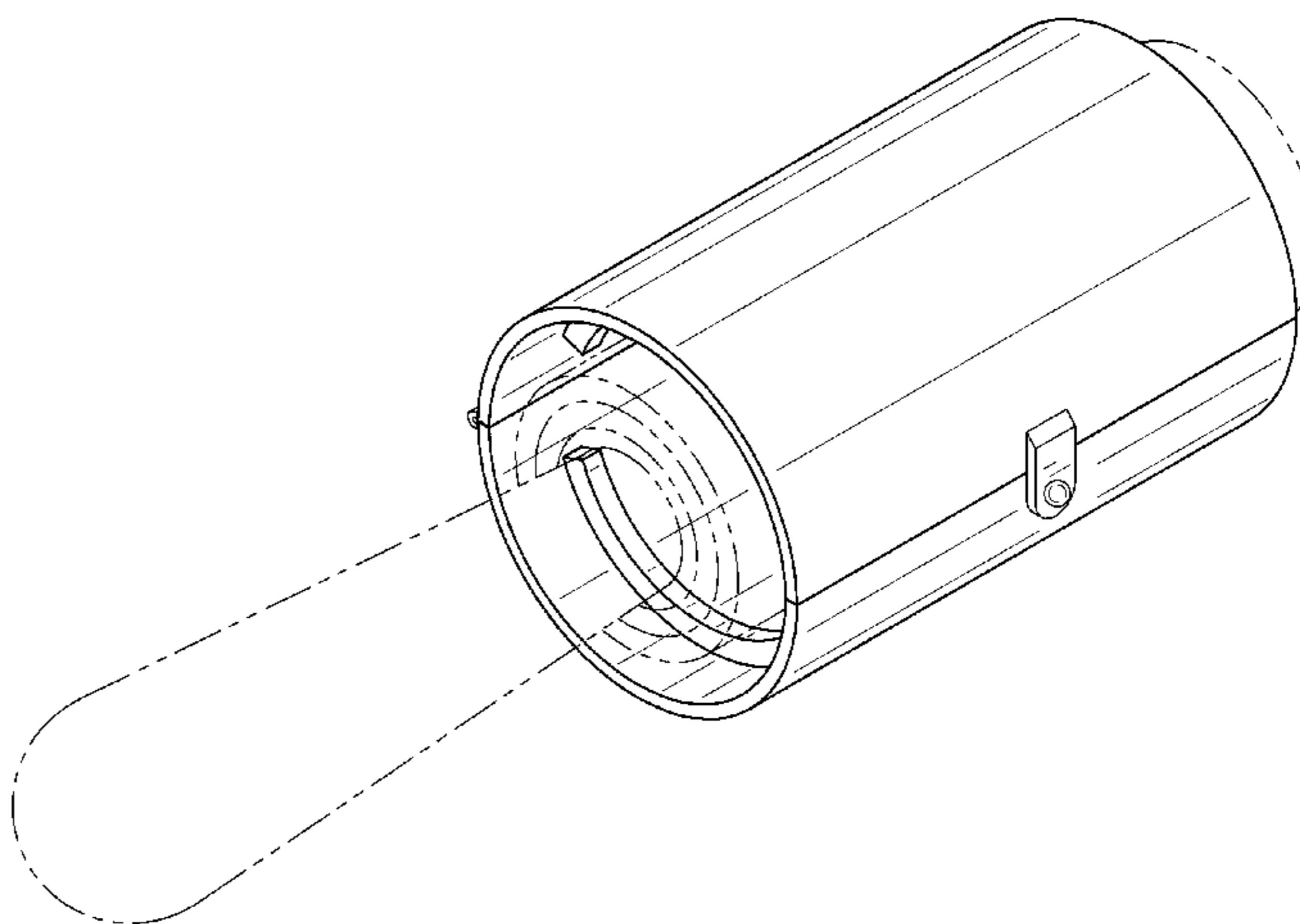
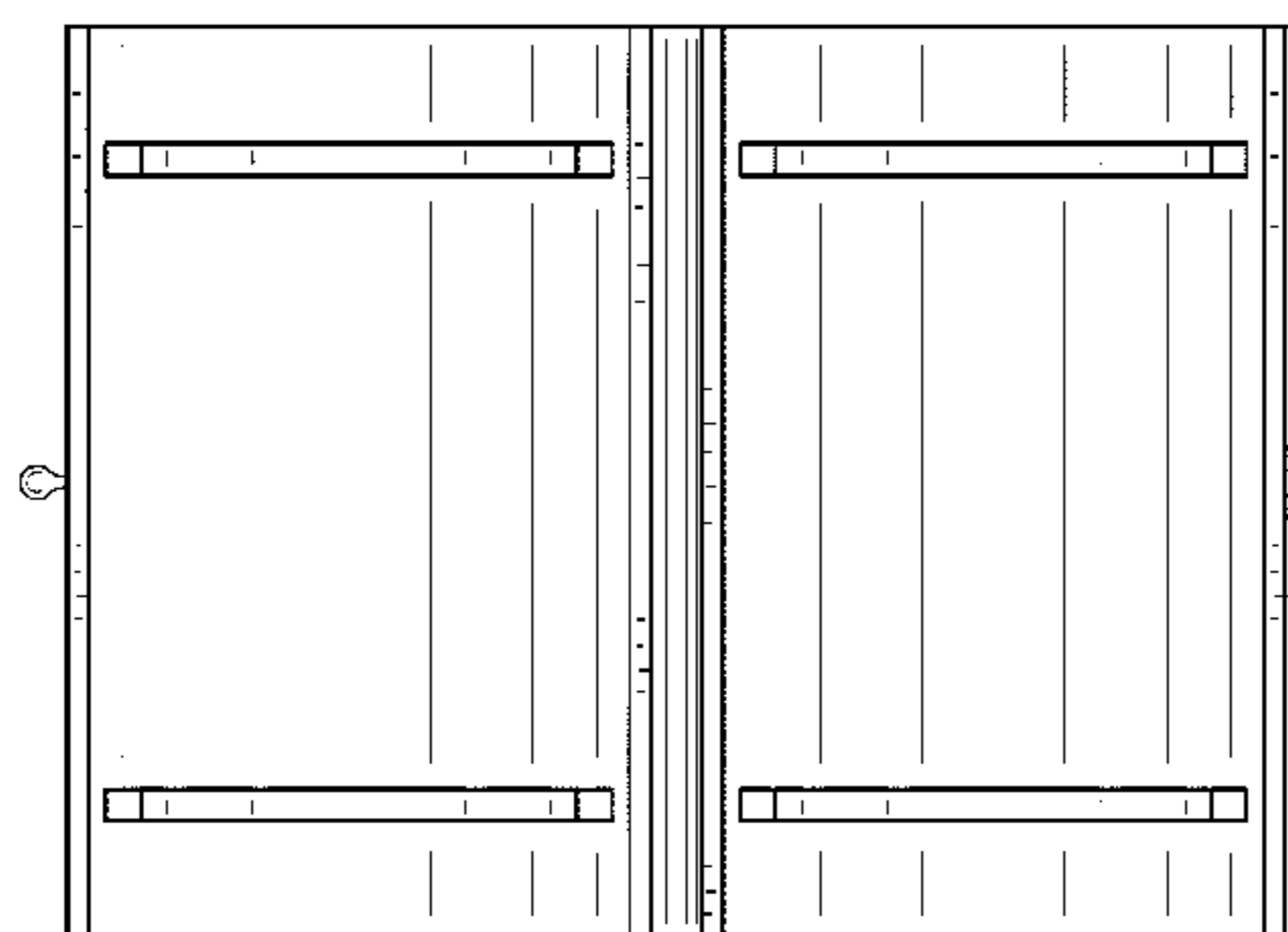
(57) **CLAIM**

The ornamental design for a lint roller cover, as shown and described.

DESCRIPTION

FIG. 1 is a front elevation view of a lint roller cover showing my new design in an open position;
FIG. 2 is a rear elevation view thereof;
FIG. 3 is a right elevation view thereof;
FIG. 4 is a left elevation view thereof;
FIG. 5 is a top plan view thereof, the bottom side being a mirror image of the shown; and,
FIG. 6 is an isometric view thereof in a closed position.
The broken lines in the drawings depict environmental subject matter only and form no part of the claimed design.

1 Claim, 3 Drawing Sheets



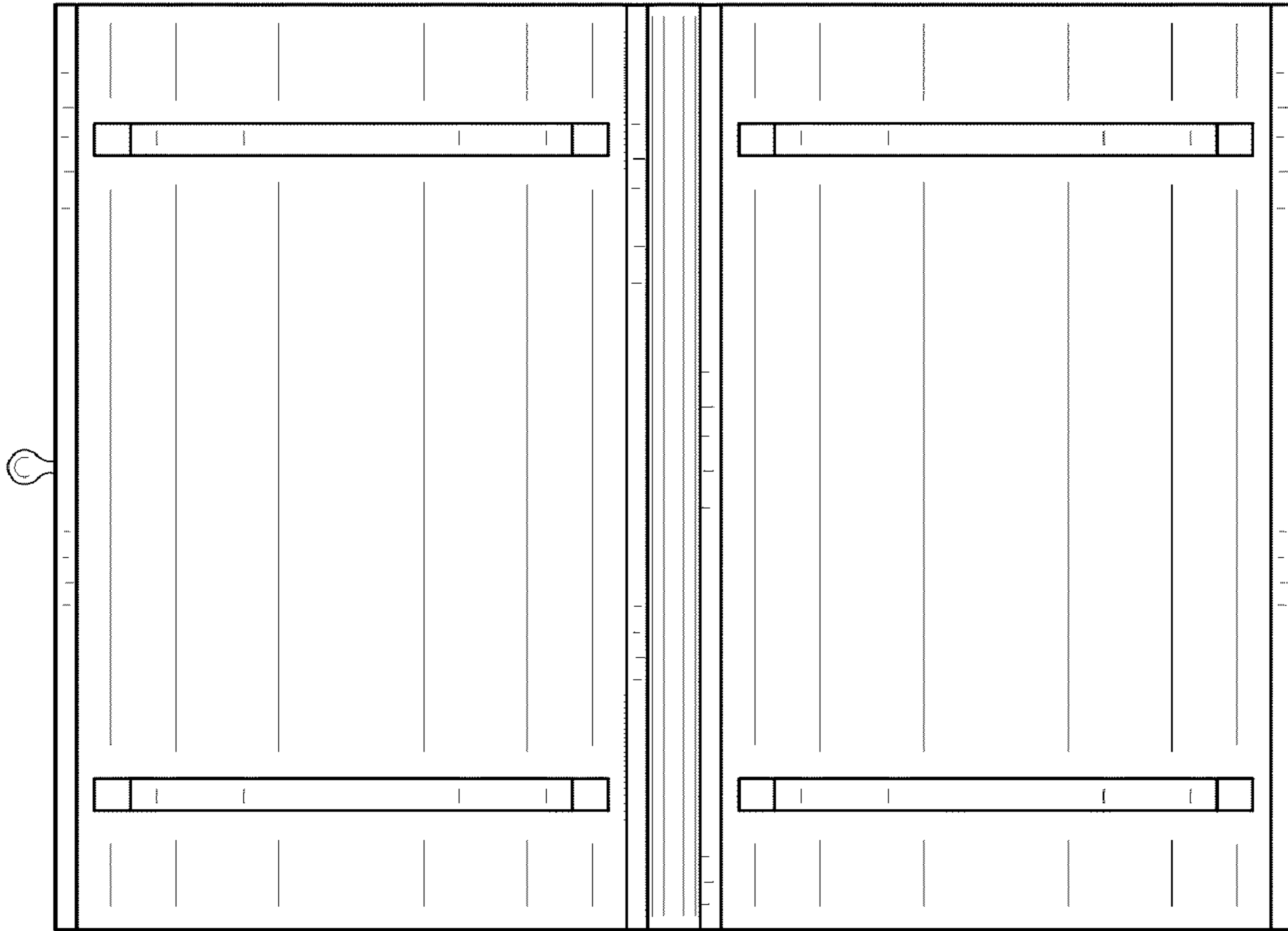


FIG. 1

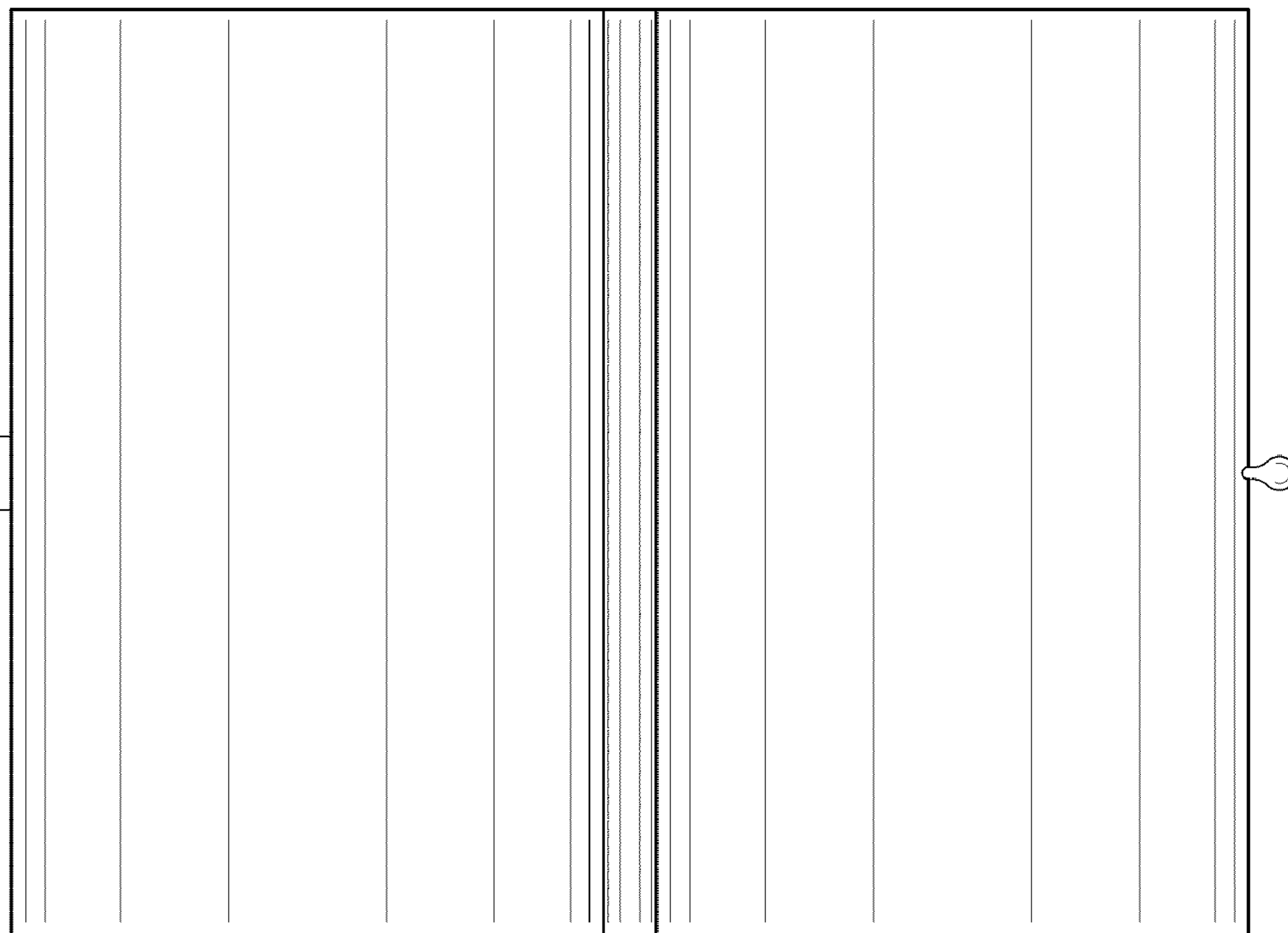


FIG. 2

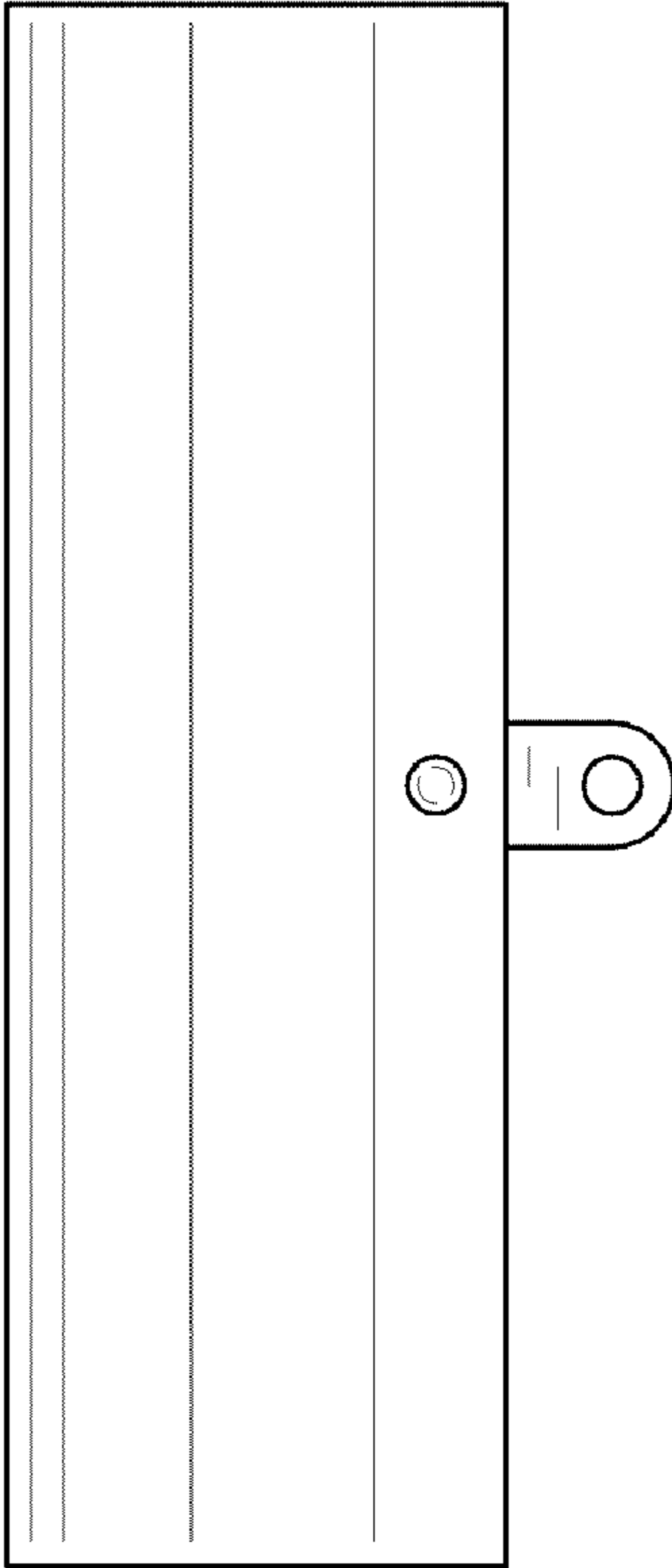


FIG. 3

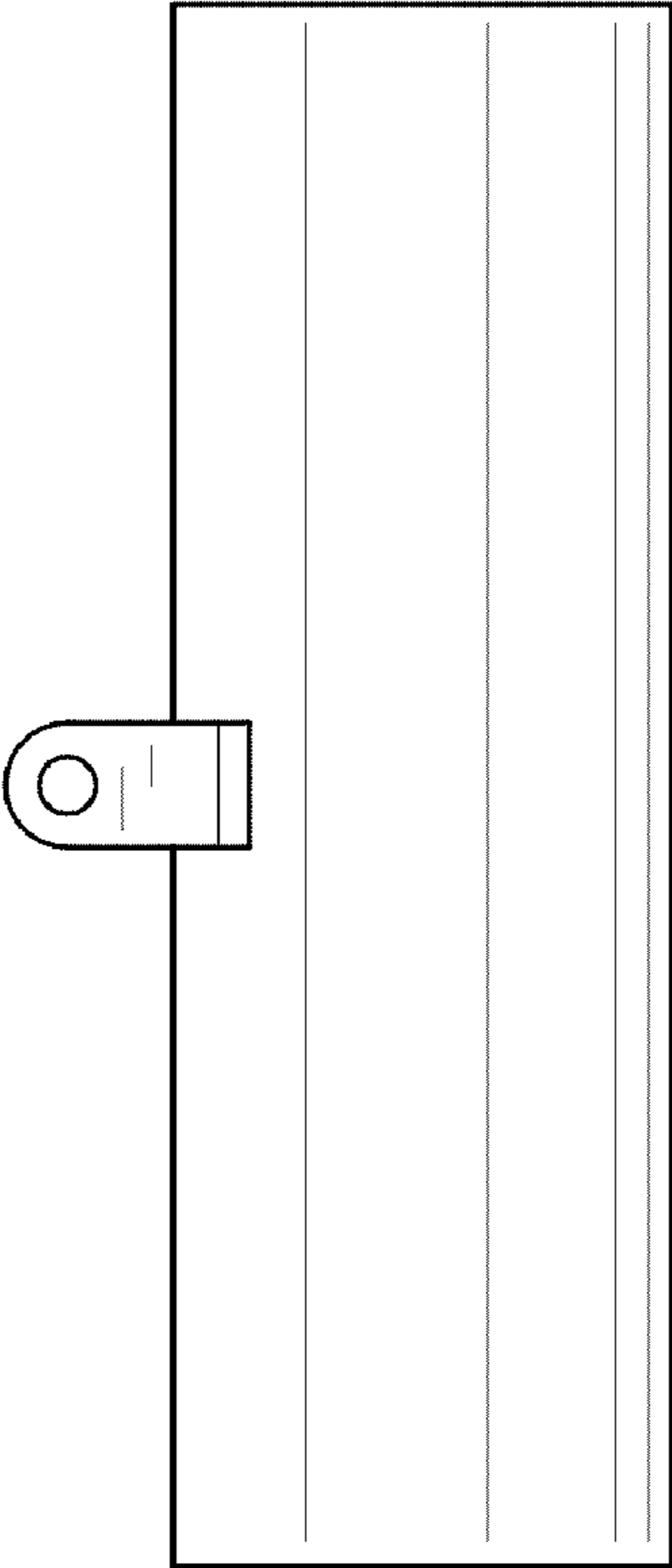


FIG. 4

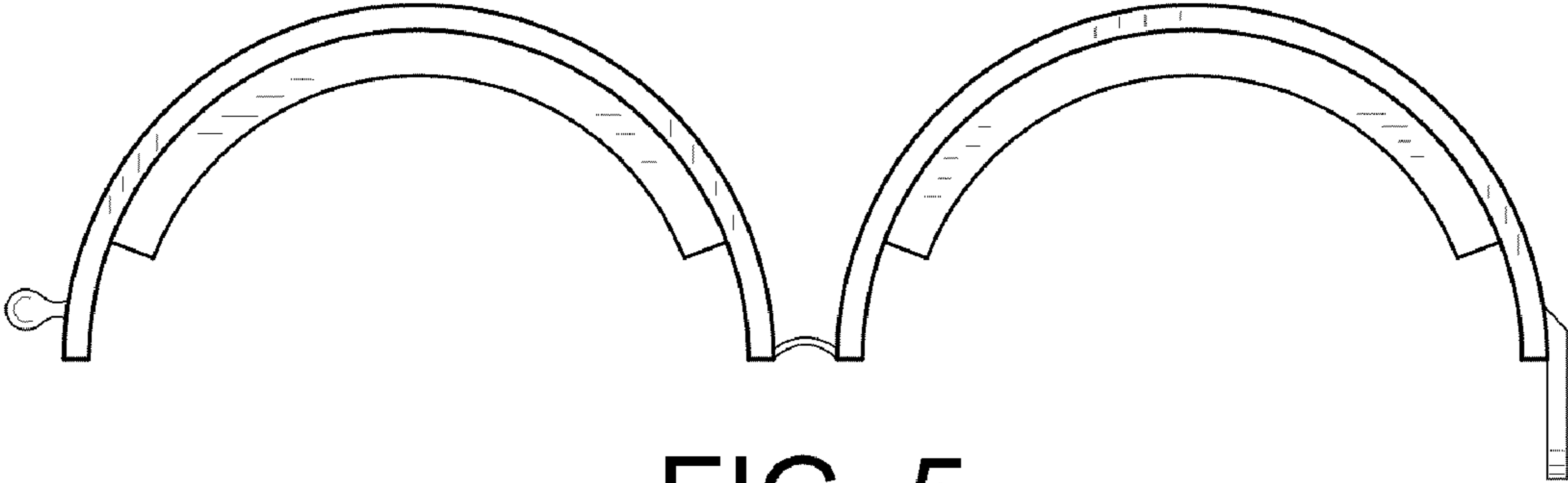


FIG. 5

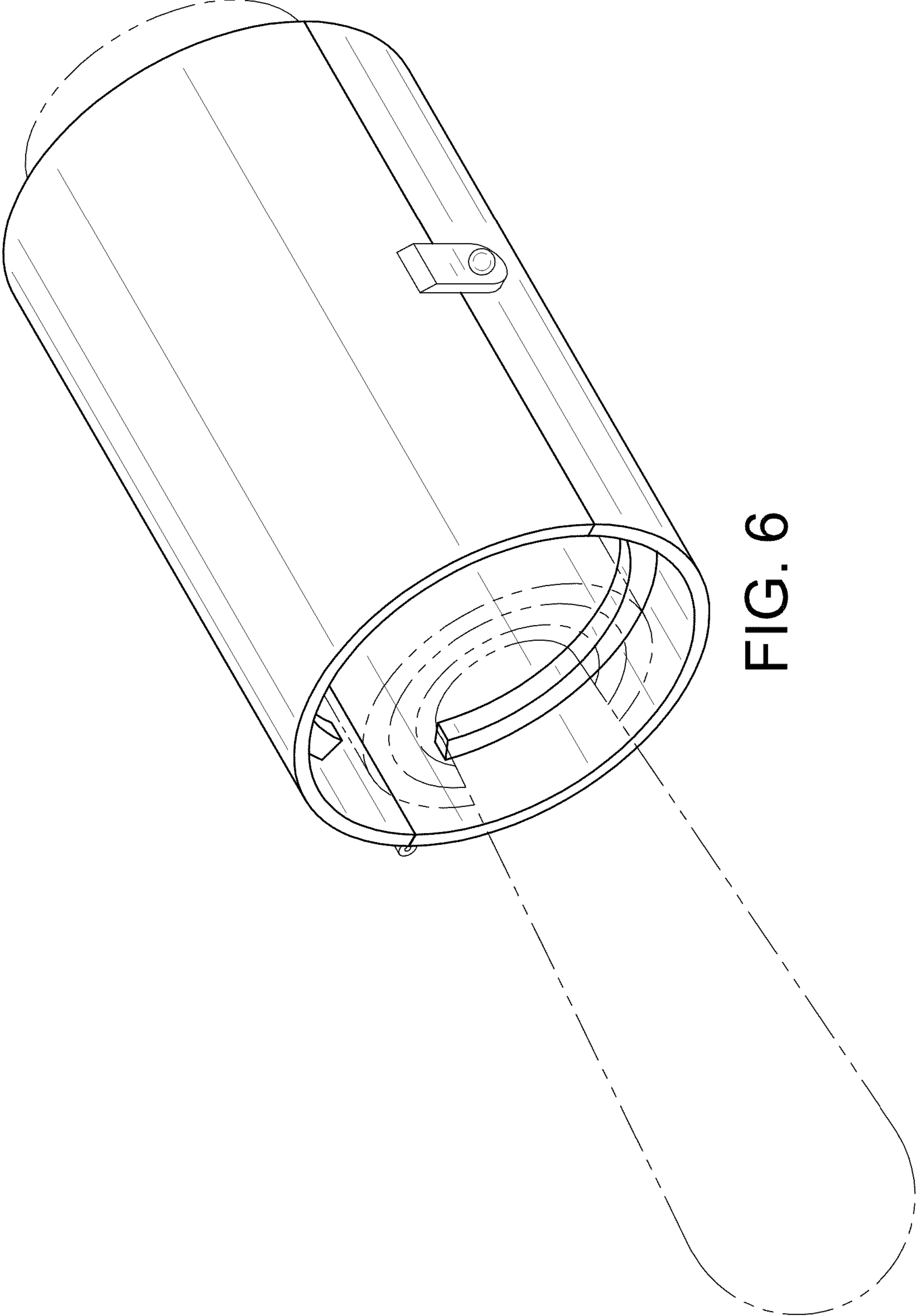


FIG. 6