



US00D635770S

(12) **United States Design Patent**
Kobilarcik et al.

(10) **Patent No.:** **US D635,770 S**

(45) **Date of Patent:** **** Apr. 12, 2011**

(54) **TRANSPARENT STORAGE BIN**
(75) Inventors: **Albert T. Kobilarcik**, Wooster, OH (US); **Travis Shamp**, Akron, OH (US); **Jerrold Brown**, Medina, OH (US); **Daniel R. Blake, Jr.**, Chicago, IL (US)

(73) Assignee: **Akro-Mils, Inc.**, Akron, OH (US)

(**) Term: **14 Years**

(21) Appl. No.: **29/375,959**

(22) Filed: **Sep. 30, 2010**

Related U.S. Application Data

(62) Division of application No. 29/366,178, filed on Jul. 21, 2010.

(51) **LOC (9) Cl.** **03-01**

(52) **U.S. Cl.** **D3/304**

(58) **Field of Classification Search** D3/302,
D3/304, 307, 315; D7/601-603, 605, 708;
D9/414, 424-426, 429; 206/315.1, 503,
206/505; 220/662, 669, 672

See application file for complete search history.

(56) **References Cited**

U.S. PATENT DOCUMENTS

1,862,609	A	6/1932	Shaw	
3,113,680	A *	12/1963	Frater et al.	211/126.4
3,252,614	A *	5/1966	Evans	206/509
3,478,892	A	11/1969	Lockwood	
3,534,866	A *	10/1970	Asenbauer	211/126.2
D242,659	S *	12/1976	Clipson et al.	D3/307
4,164,309	A	8/1979	Staats	
4,640,416	A	2/1987	Northrup et al.	
4,753,351	A	6/1988	Guillin	
D301,927	S *	6/1989	Williams, Jr.	D3/304
D311,799	S *	10/1990	Embree et al.	D3/294
5,080,874	A	1/1992	Nichols	
D327,561	S *	6/1992	Hradisky	D3/307
5,311,993	A	5/1994	Koch	
5,318,811	A	6/1994	Nissel	

5,590,770	A	1/1997	Yeh	
D385,720	S *	11/1997	Dickinson et al.	D6/440
6,062,388	A	5/2000	Ohayon	
6,910,599	B2	6/2005	Tucker et al.	
6,986,437	B2	1/2006	Jalet et al.	
D517,319	S *	3/2006	Wisnoski et al.	D3/304
D583,562	S *	12/2008	Ghiorghie	D3/304
D606,314	S *	12/2009	Neilsen	D3/313
D621,619	S *	8/2010	Ripoll	D3/304

(Continued)

OTHER PUBLICATIONS

www.globalindustrial.com/g/storage/bins-totes-containers/shelf-clear-quantum-shelf-bins?ref=h/banner, retrieved Aug. 16, 2010.

(Continued)

Primary Examiner — Elizabeth A Albert

Assistant Examiner — Kelley A Donnelly

(74) *Attorney, Agent, or Firm* — Mattingly & Malur, P.C.

(57) **CLAIM**

The ornamental design for a transparent storage bin, as shown and described.

DESCRIPTION

FIG. 1 is a right side perspective view of a transparent storage bin showing the design;

FIG. 2 is a front elevational view thereof;

FIG. 3 is a rear elevational view thereof;

FIG. 4 is a right side elevational view thereof;

FIG. 5 is a left side elevational view thereof;

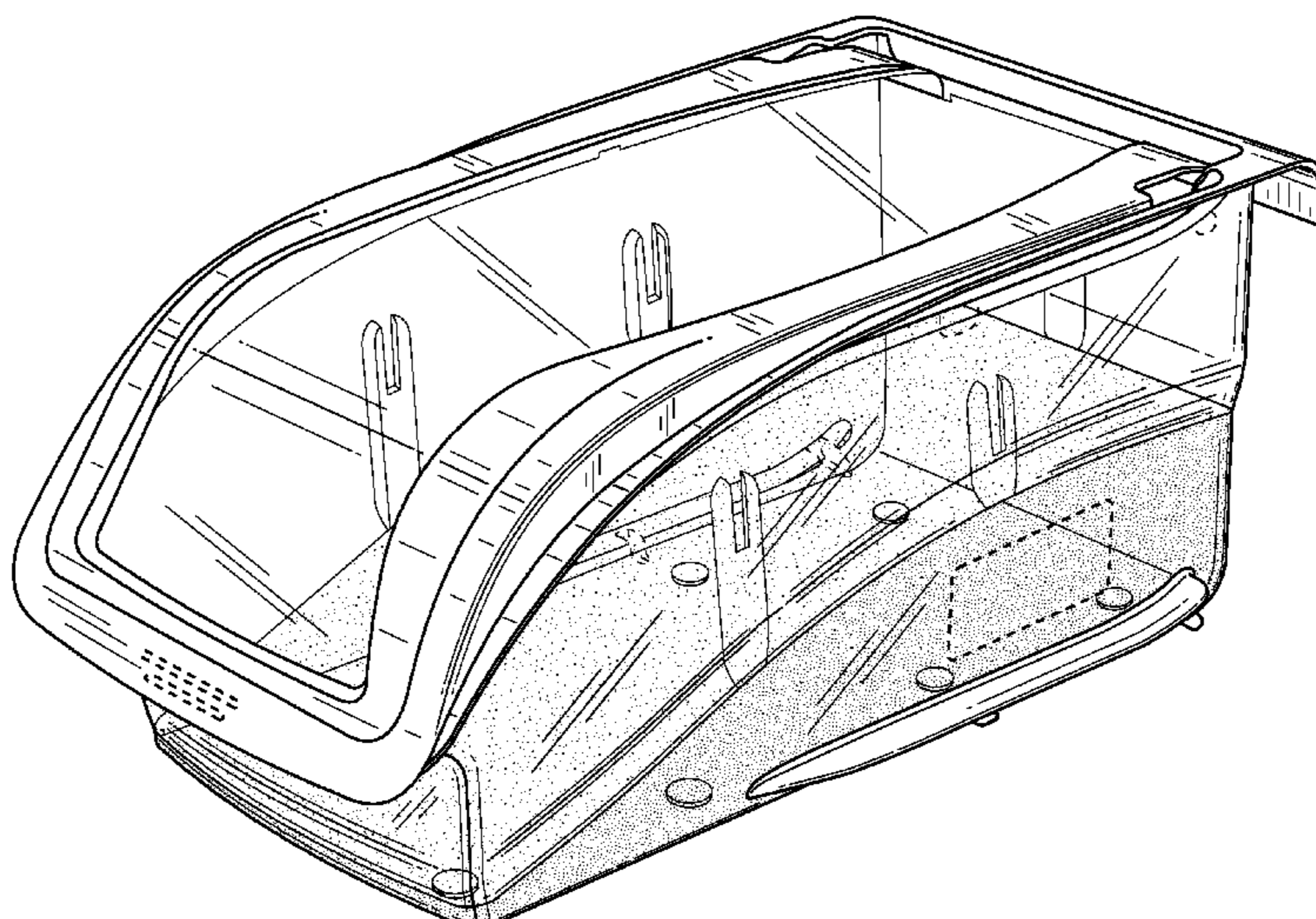
FIG. 6 is a top plan view thereof; and,

FIG. 7 is a bottom view thereof.

The stippling that can be seen on the bottom portion of the claimed design is a type of shading that represents a type of transparent surface.

The broken lines are for the purpose of illustrating the environment of the article only and form no part of the claimed design.

1 Claim, 6 Drawing Sheets



U.S. PATENT DOCUMENTS

2009/0178989 A1 7/2009 Accuardi

OTHER PUBLICATIONS

www.globalindustrial.com/p/storage/bins-totes-containers/stacking-bins/plastic-clear-stacking-bin-5-1-2-w-x-10-7-8-d-x-5-h,
retrieved Aug. 16, 2010.

www.globalindustrial.com/p/foodservice/food-storage/ingredient-storage/rubbermaid-safety-storage-ingredient-bin-100-cups,
retrieved Aug. 16, 2010.

www.encyclopedia.com/technology/industrial-engineering/storage-bins/ [see “textured base” for clear bin], retrieved Aug. 16, 2010.

* cited by examiner

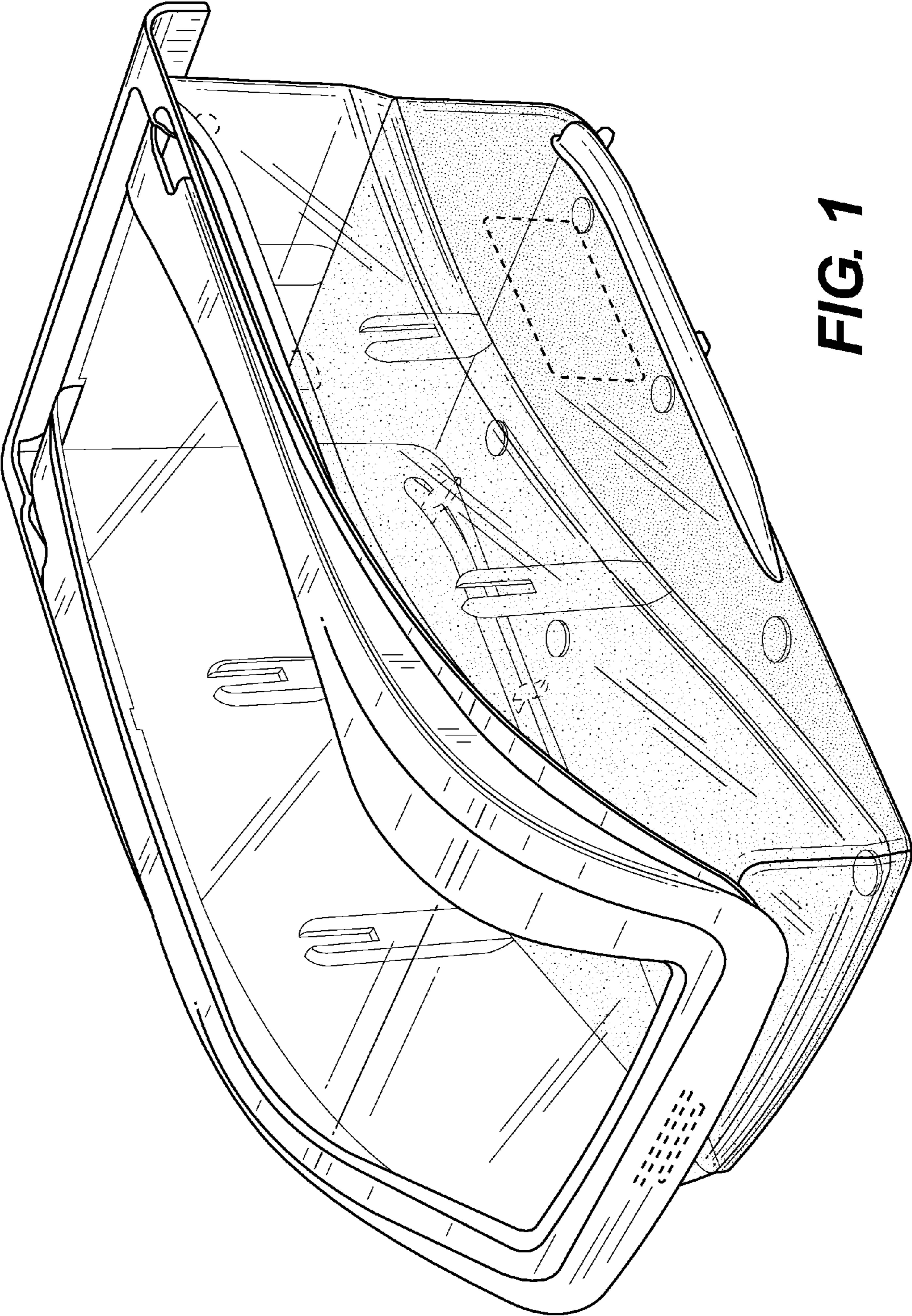


FIG. 1

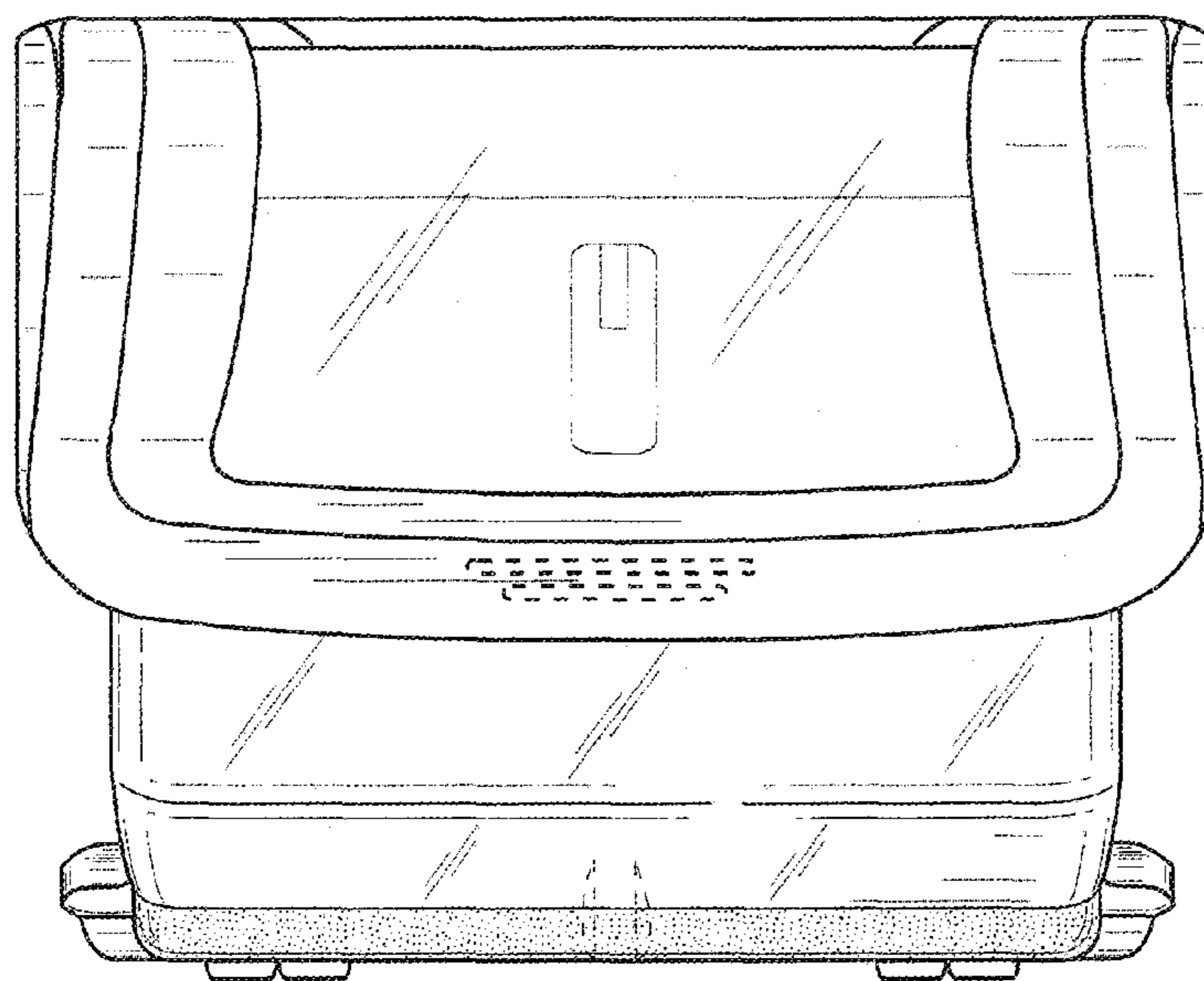


FIG. 2

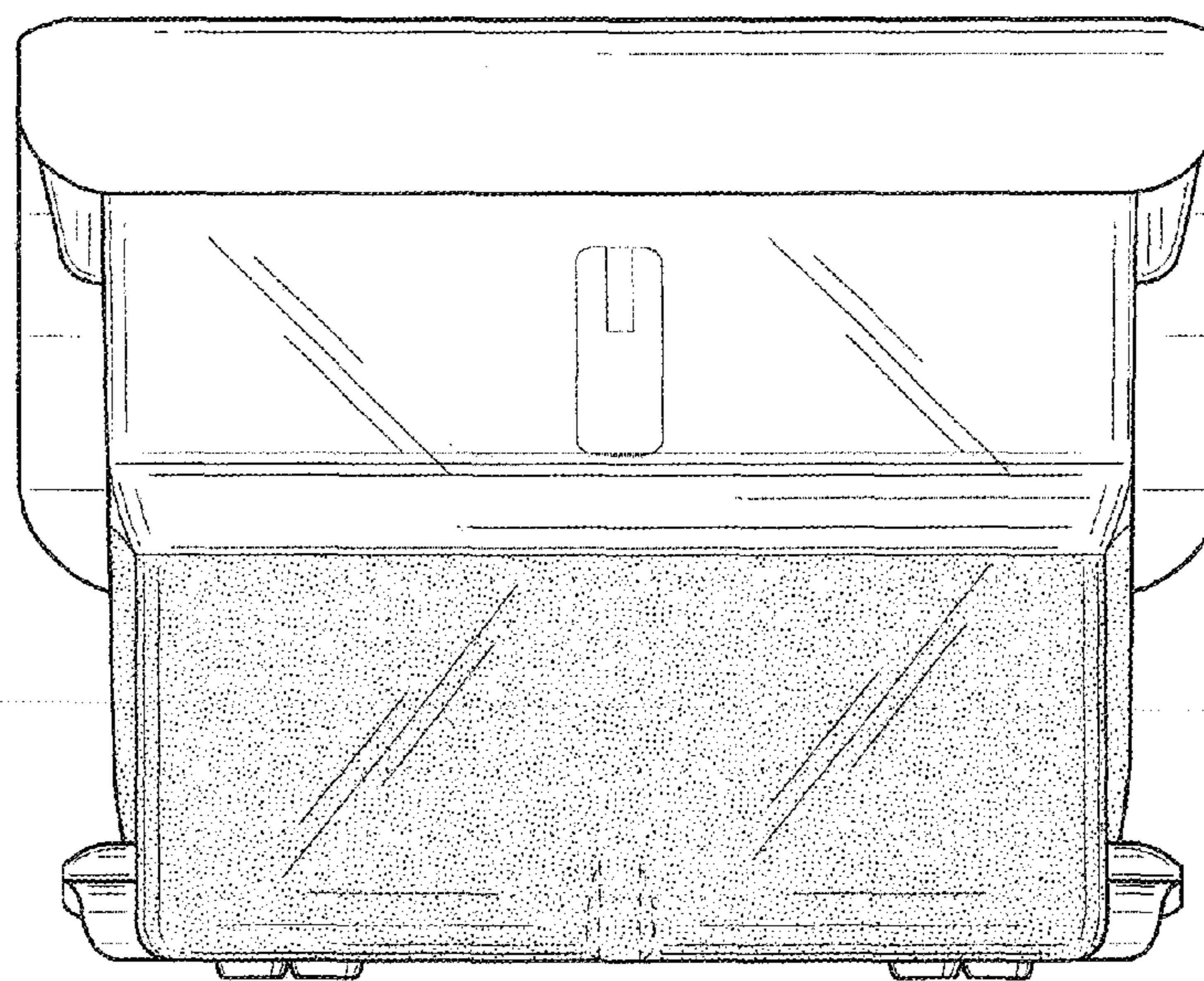


FIG. 3

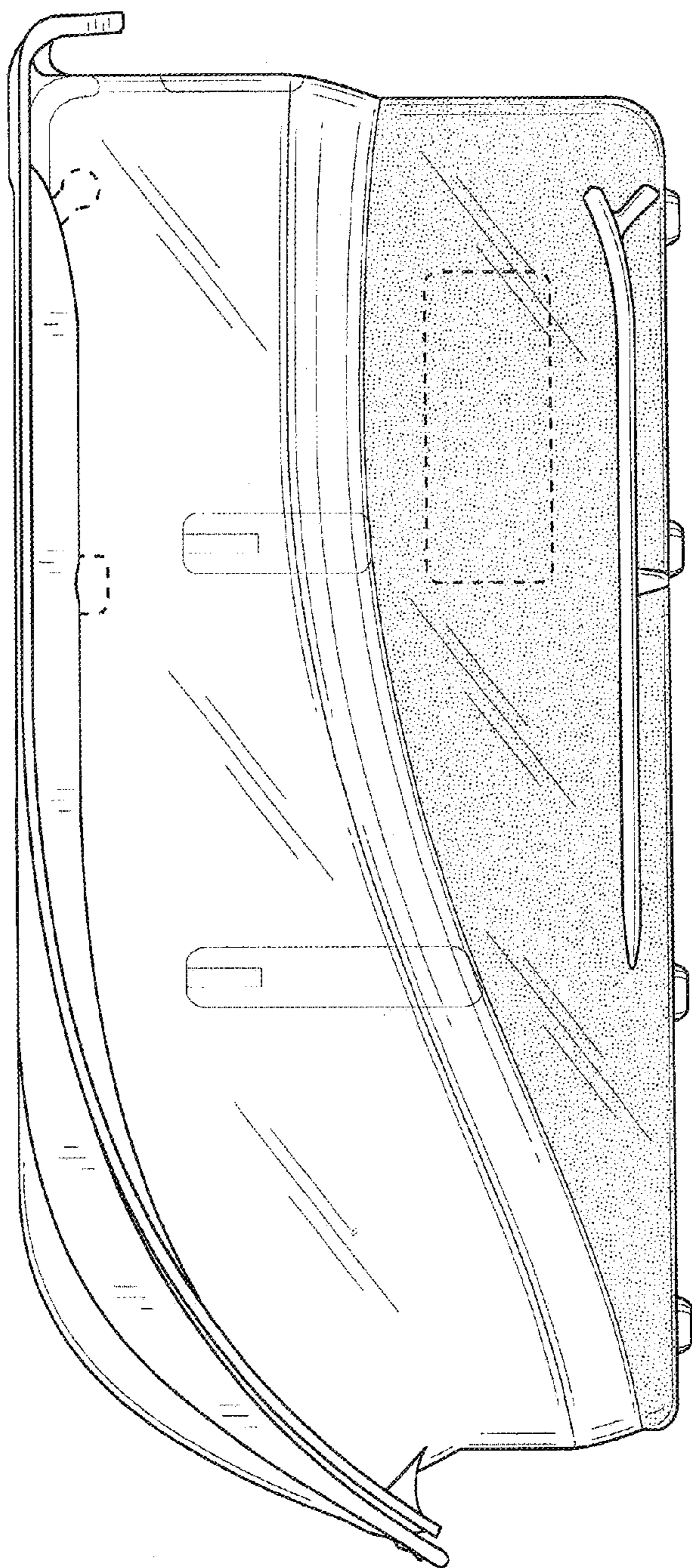


FIG. 4

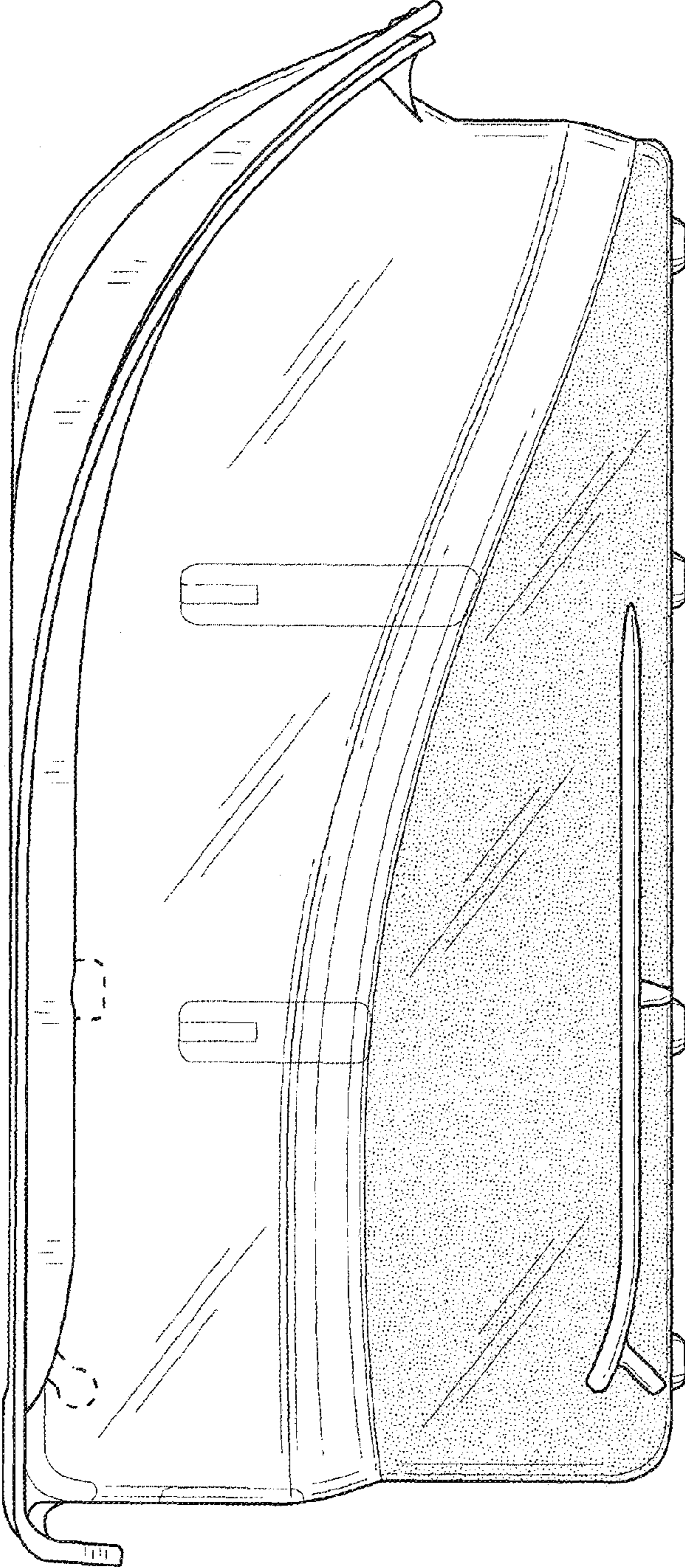


FIG. 5

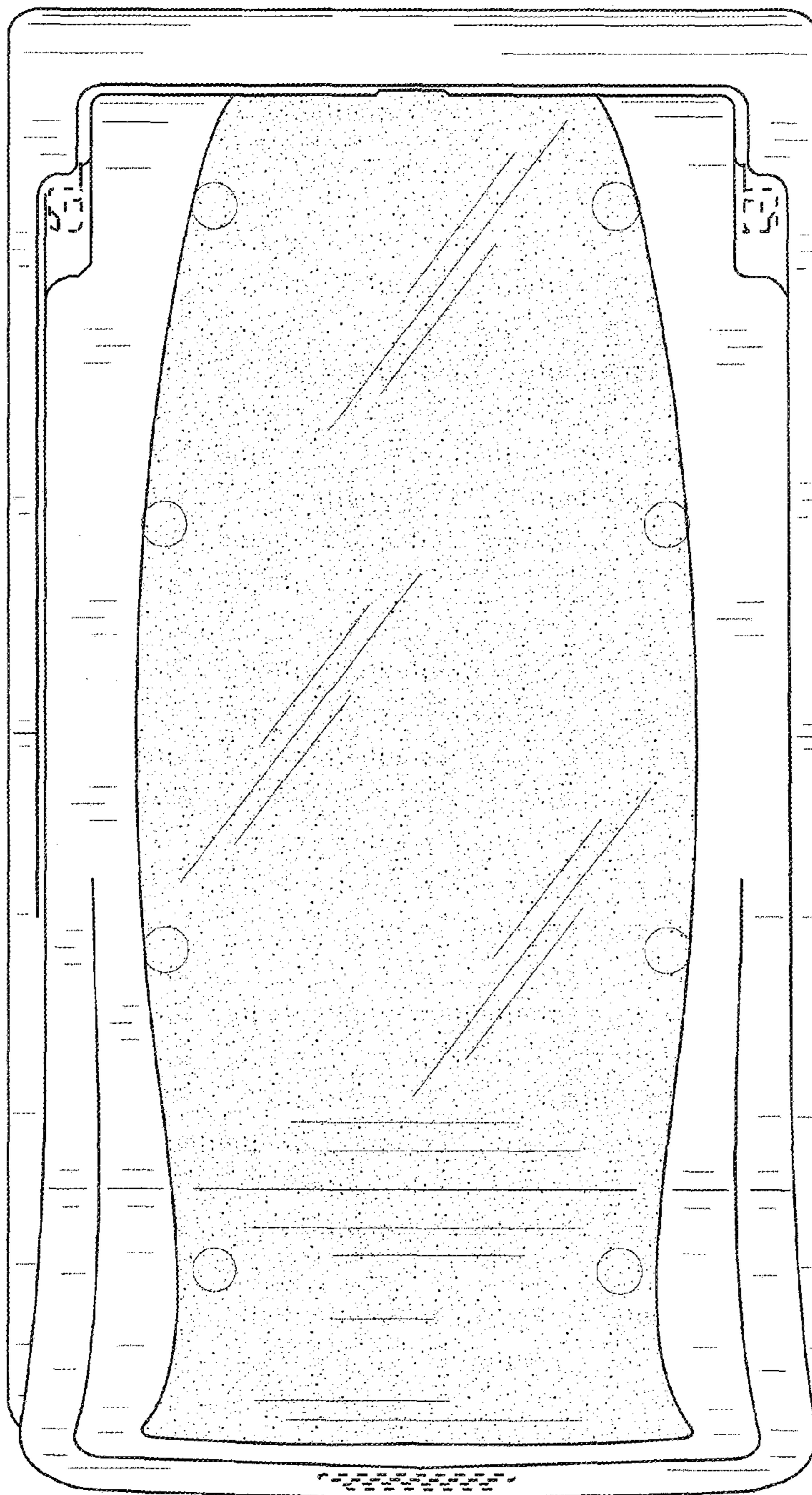


FIG. 6

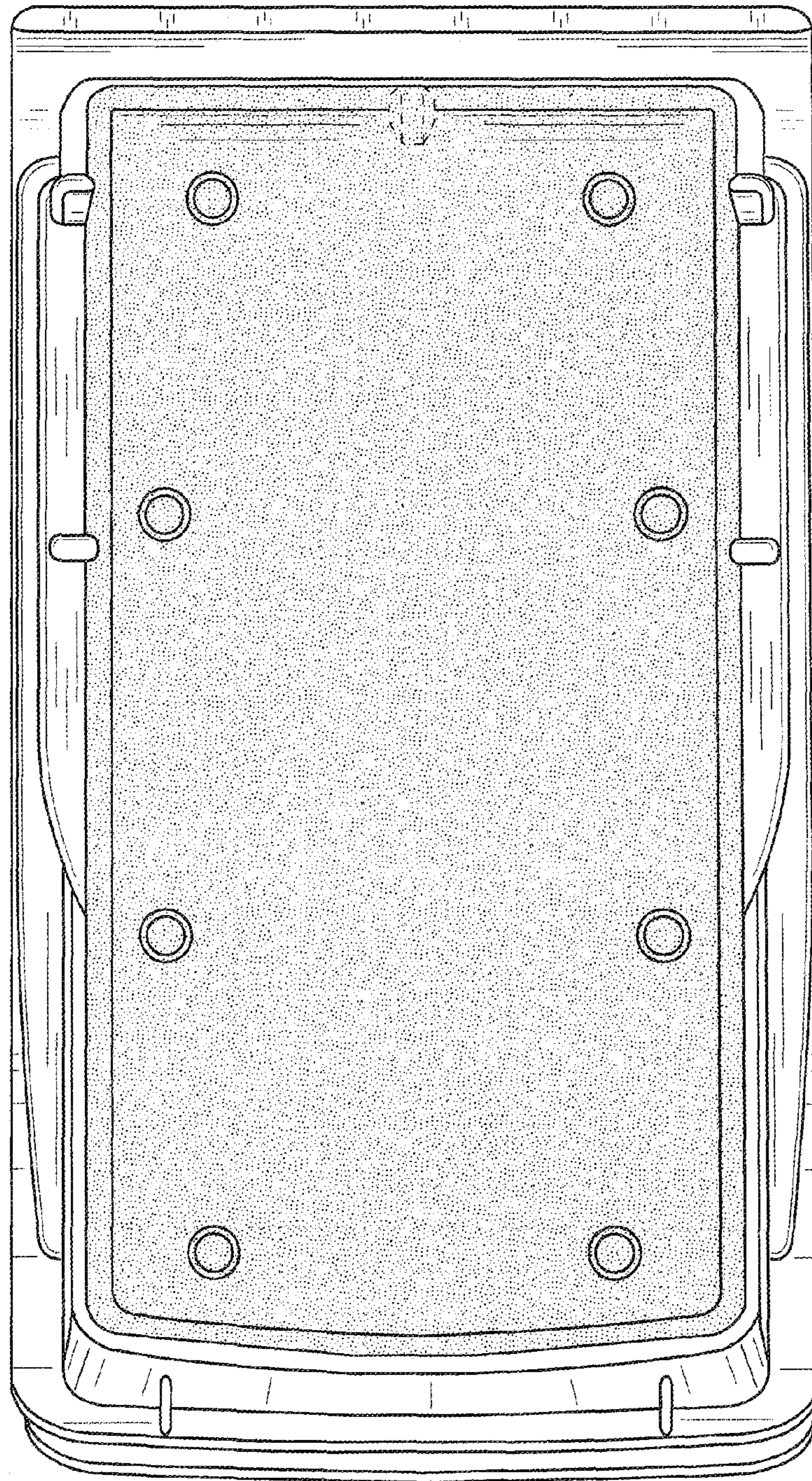


FIG. 7