



US00D635769S

(12) **United States Design Patent**
Sosnovsky

(10) **Patent No.:** **US D635,769 S**

(45) **Date of Patent:** **** Apr. 12, 2011**

(54) **OPEN TOOL TOTE**

(75) Inventor: **David Sosnovsky**, Tel Aviv (IL)

(73) Assignee: **The Stanley Works Israel Ltd.**, Rosh Ha' Ayin (IL)

(**) Term: **14 Years**

(21) Appl. No.: **29/367,771**

(22) Filed: **Aug. 12, 2010**

(51) **LOC (9) Cl.** **03-01**

(52) **U.S. Cl.** **D3/304**

(58) **Field of Classification Search** D6/20,
D6/26, 201, 304, 307-311, 315, 318-319,
D6/321-322, 905; 206/1.7-1.9, 372-373;
D3/20, 26, 201, 304, 307-311, 315, 318-319,
D3/321-322, 905

See application file for complete search history.

(56) **References Cited**

U.S. PATENT DOCUMENTS

D273,207	S	*	3/1984	Clanton	D3/309
D327,562	S	*	6/1992	Brightbill	D3/308
D346,682	S	*	5/1994	Trovato	D3/308
D420,221	S	*	2/2000	Williams et al.	D3/315
6,126,003	A	*	10/2000	Brouard	206/372
D474,891	S	*	5/2003	Huang	D3/309
6,571,998	B2	*	6/2003	Godshaw et al.	224/607
6,810,933	B2	*	11/2004	Gordon et al.	150/112

D502,599	S	*	3/2005	Cabana et al.	D3/292
D553,362	S	*	10/2007	Godshaw et al.	D3/310
7,314,126	B2	*	1/2008	Godshaw et al.	190/18 A
7,314,133	B2	*	1/2008	Redzisz	206/373
D613,507	S	*	4/2010	Brouard	D3/315
D616,202	S	*	5/2010	Whitlock et al.	D3/306
2008/0179370	A1	*	7/2008	Williams	224/682
2008/0202962	A1	*	8/2008	Brouard	206/373
2008/0230416	A1	*	9/2008	Brouard	206/372

* cited by examiner

Primary Examiner — Elizabeth A Albert

Assistant Examiner — Kelley A Donnelly

(74) *Attorney, Agent, or Firm* — Pillsbury Winthrop Shaw Pittman LLP

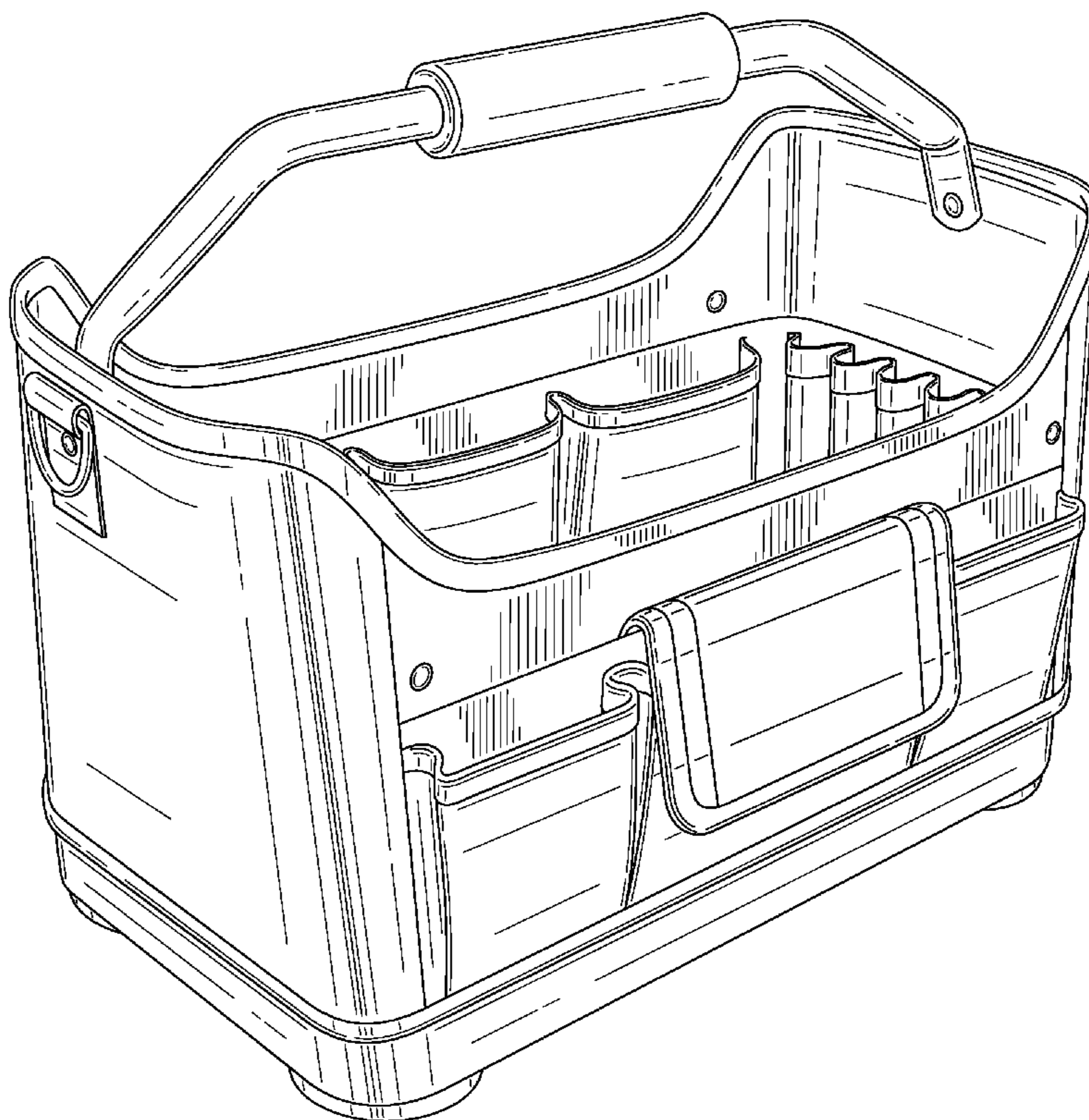
(57) **CLAIM**

The ornamental design for an open tool tote, as shown and described.

DESCRIPTION

FIG. 1 is an isometric view according to my design; FIG. 2 is a front plan view of the design of FIG. 1; FIG. 3 is a rear plan view of the design of FIG. 1; FIG. 4 is a left side plan view of the design of FIG. 1; FIG. 5 is a right side plan view of the design of FIG. 1; FIG. 6 is a top plan view of the design of FIG. 1; and, FIG. 7 is a bottom plan view of the design of FIG. 1. The broken lines shown are included for the purpose of illustrating the environment of the design and form no part of the claimed design.

1 Claim, 7 Drawing Sheets



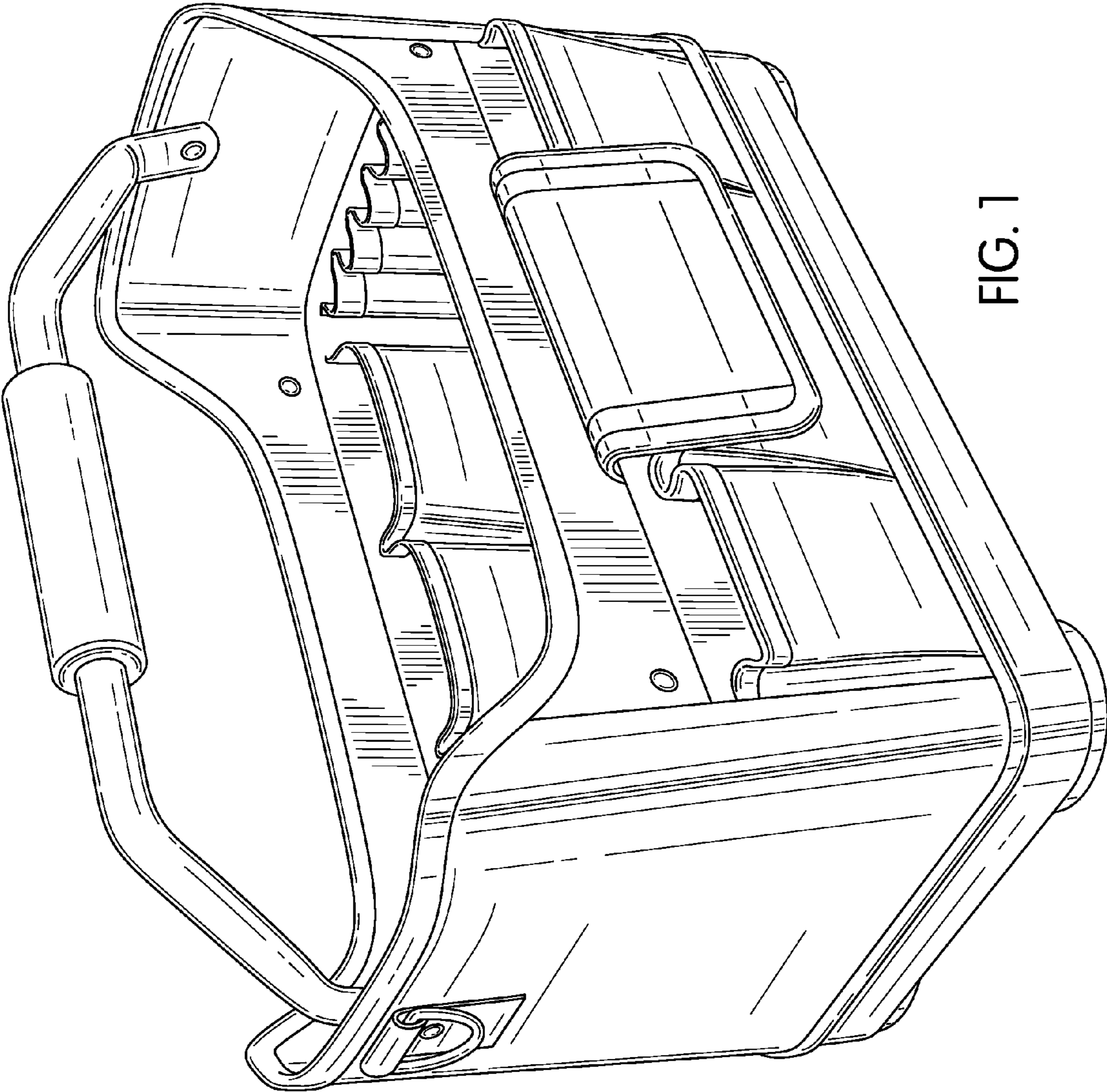


FIG. 1

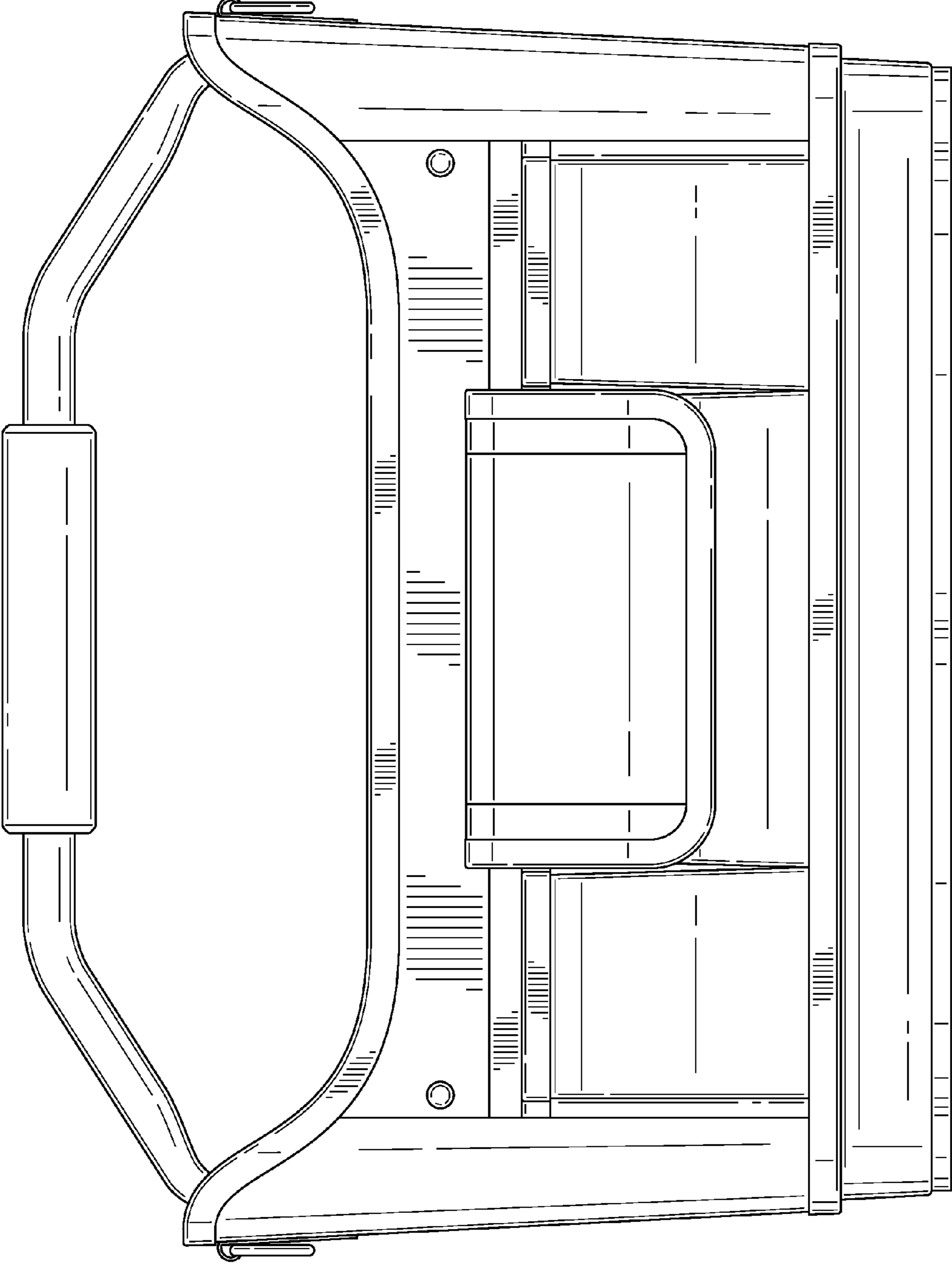


FIG. 2

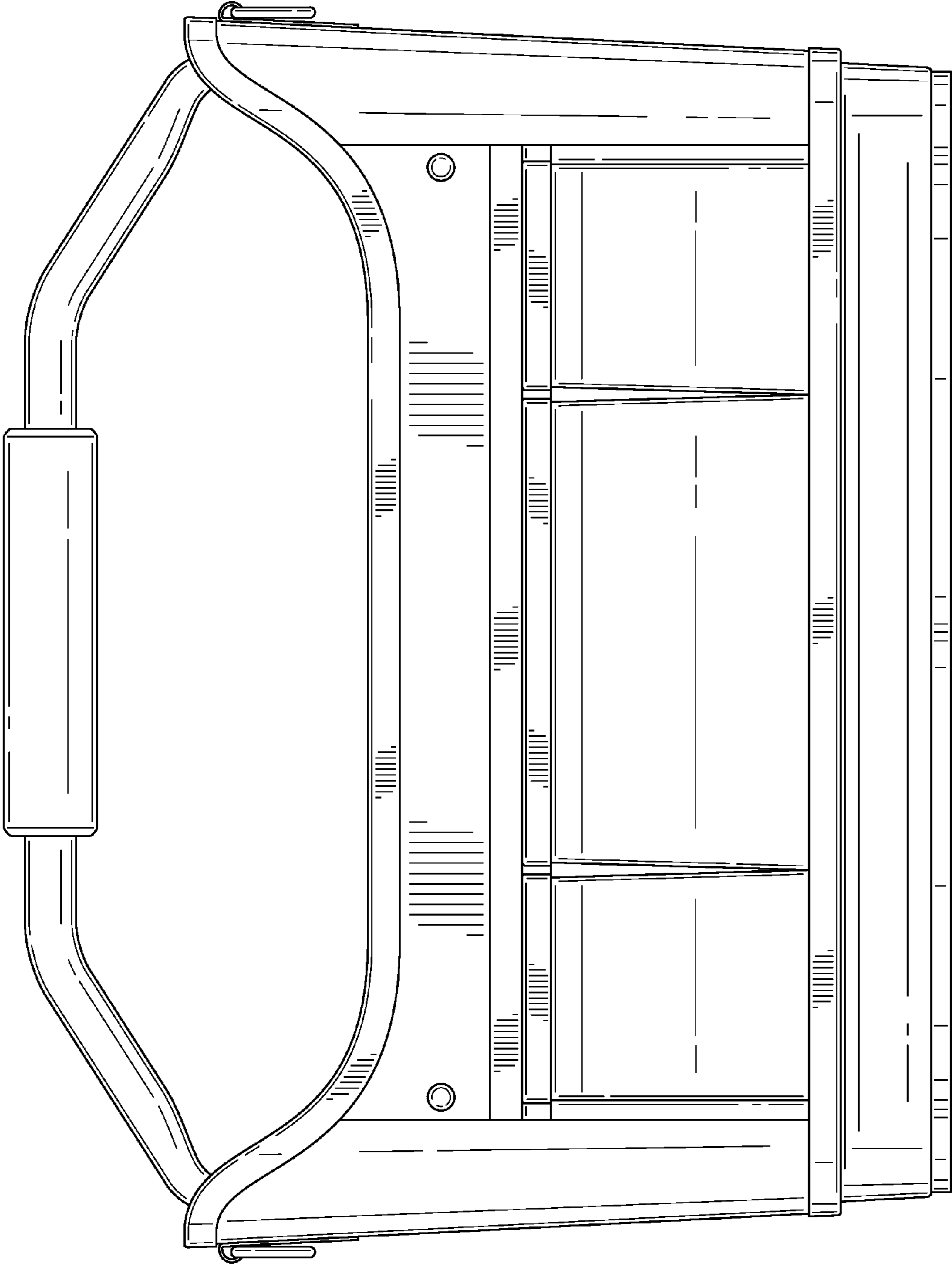


FIG. 3

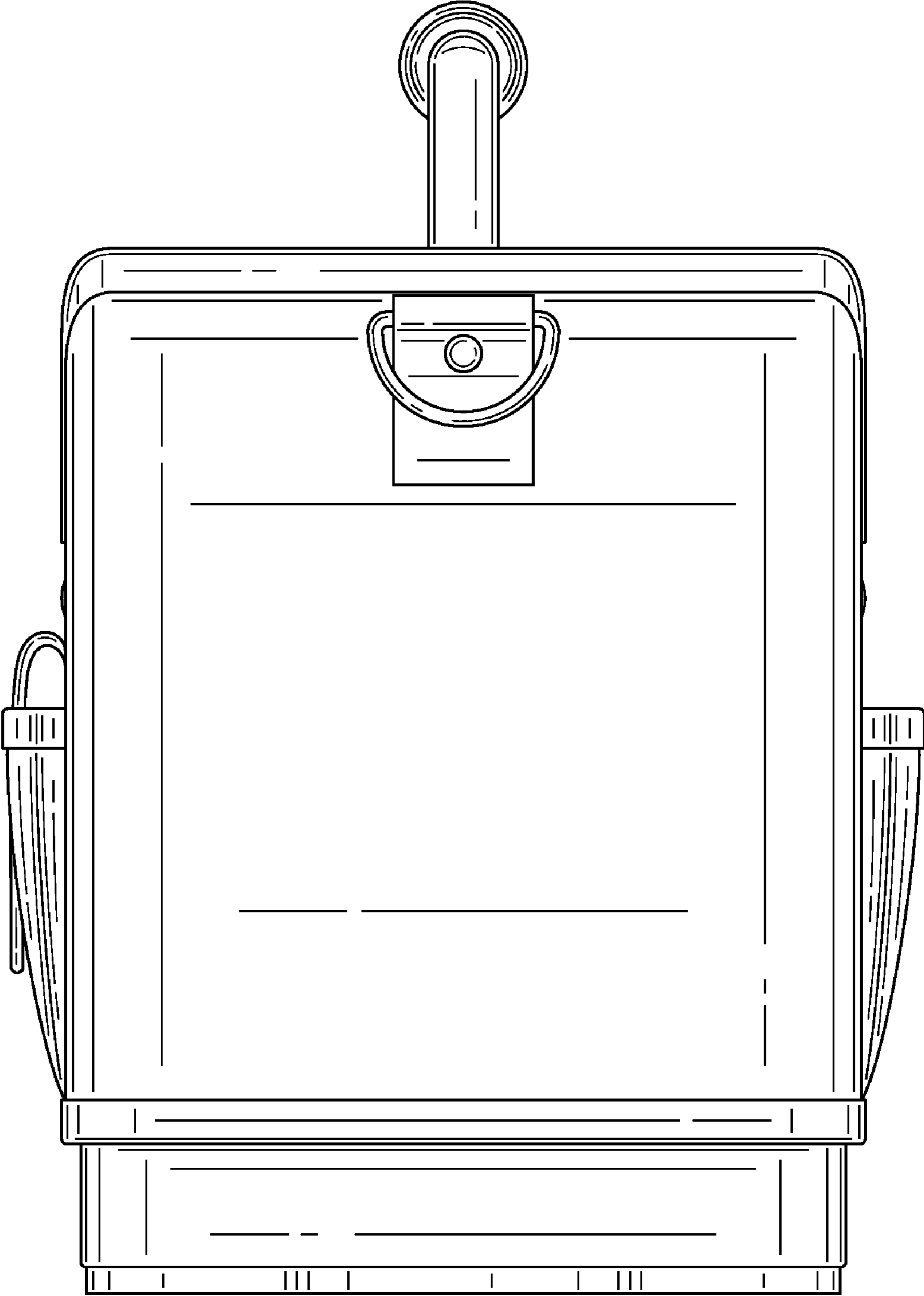


FIG. 4

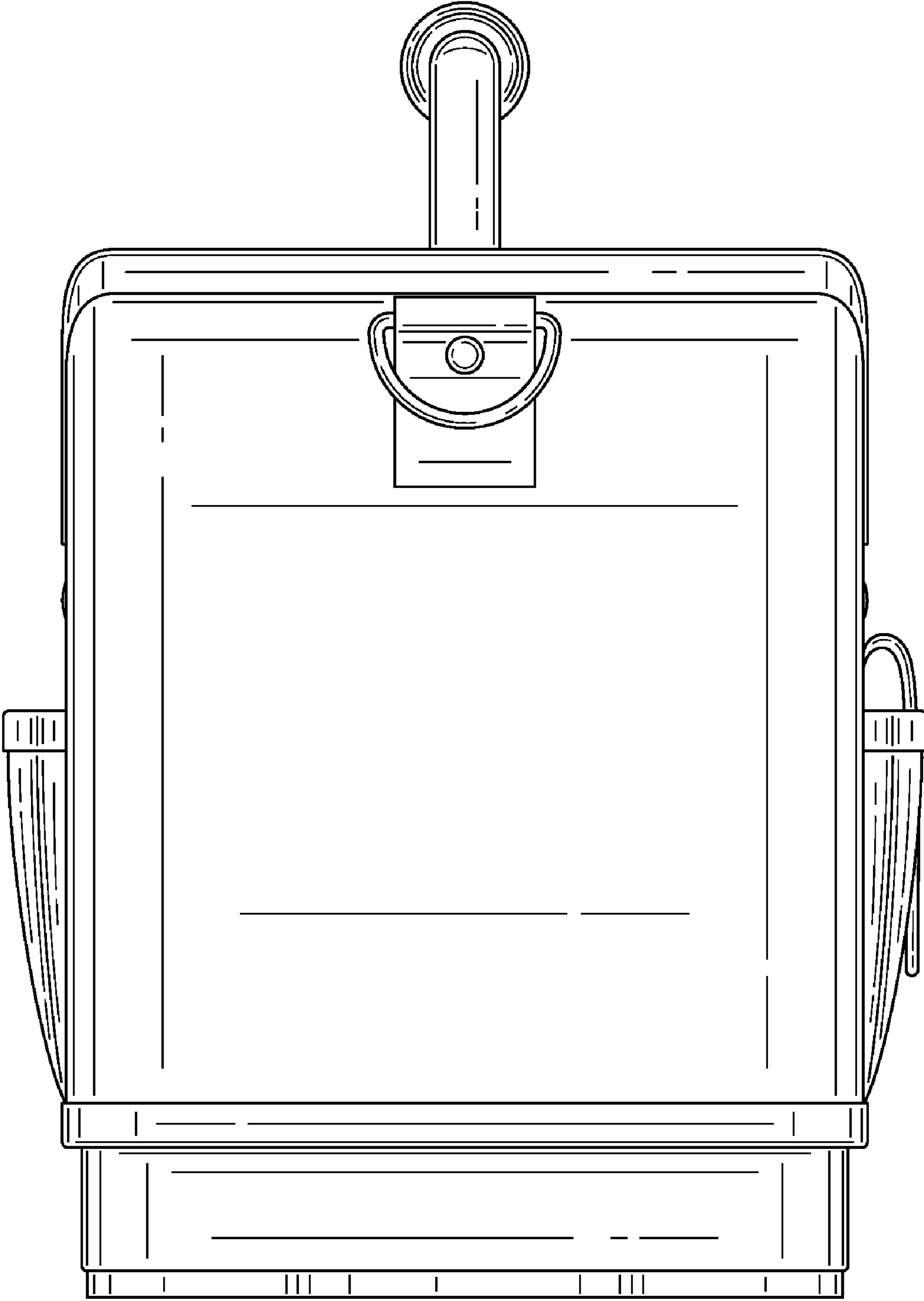


FIG. 5

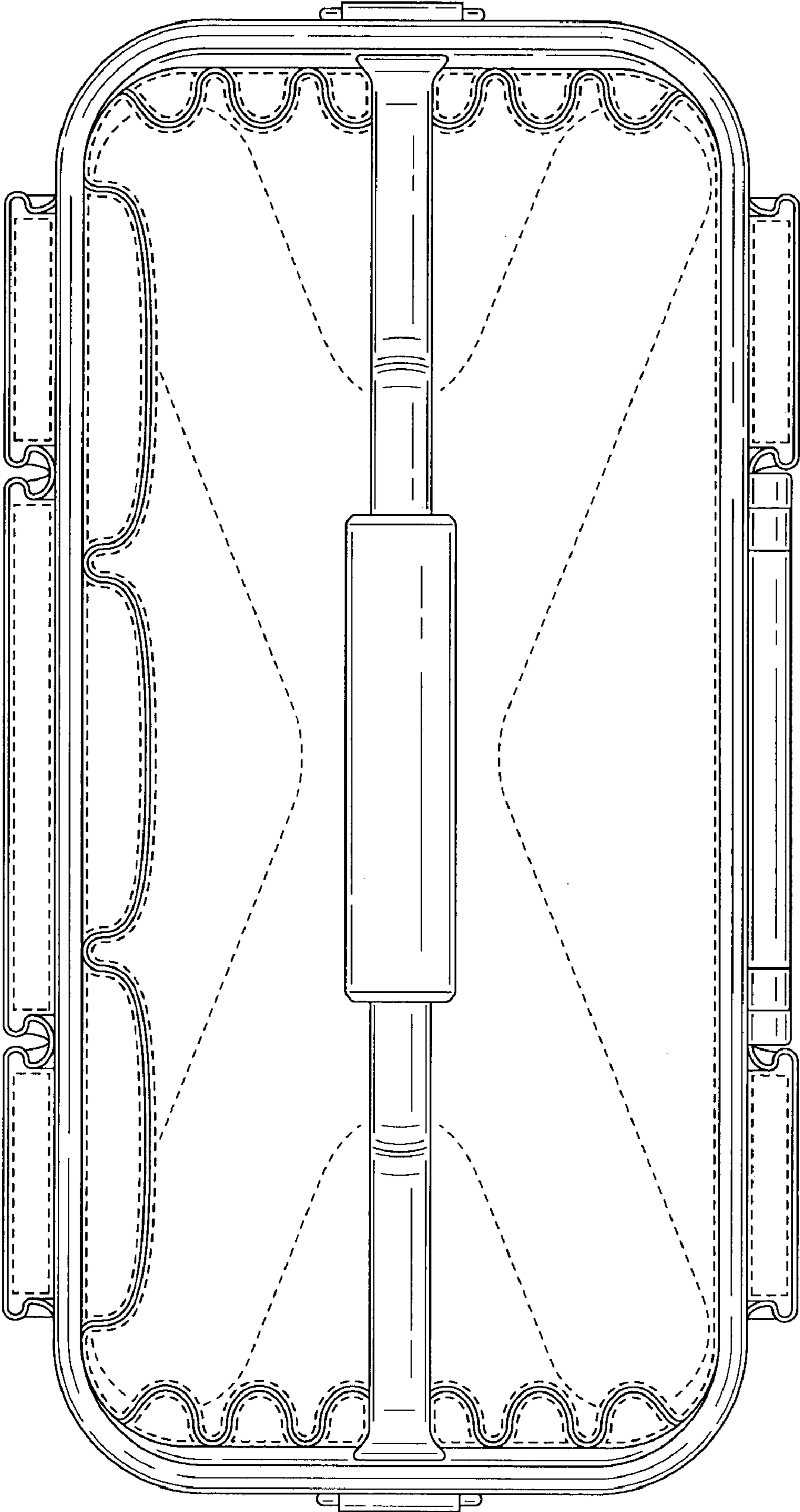


FIG. 6

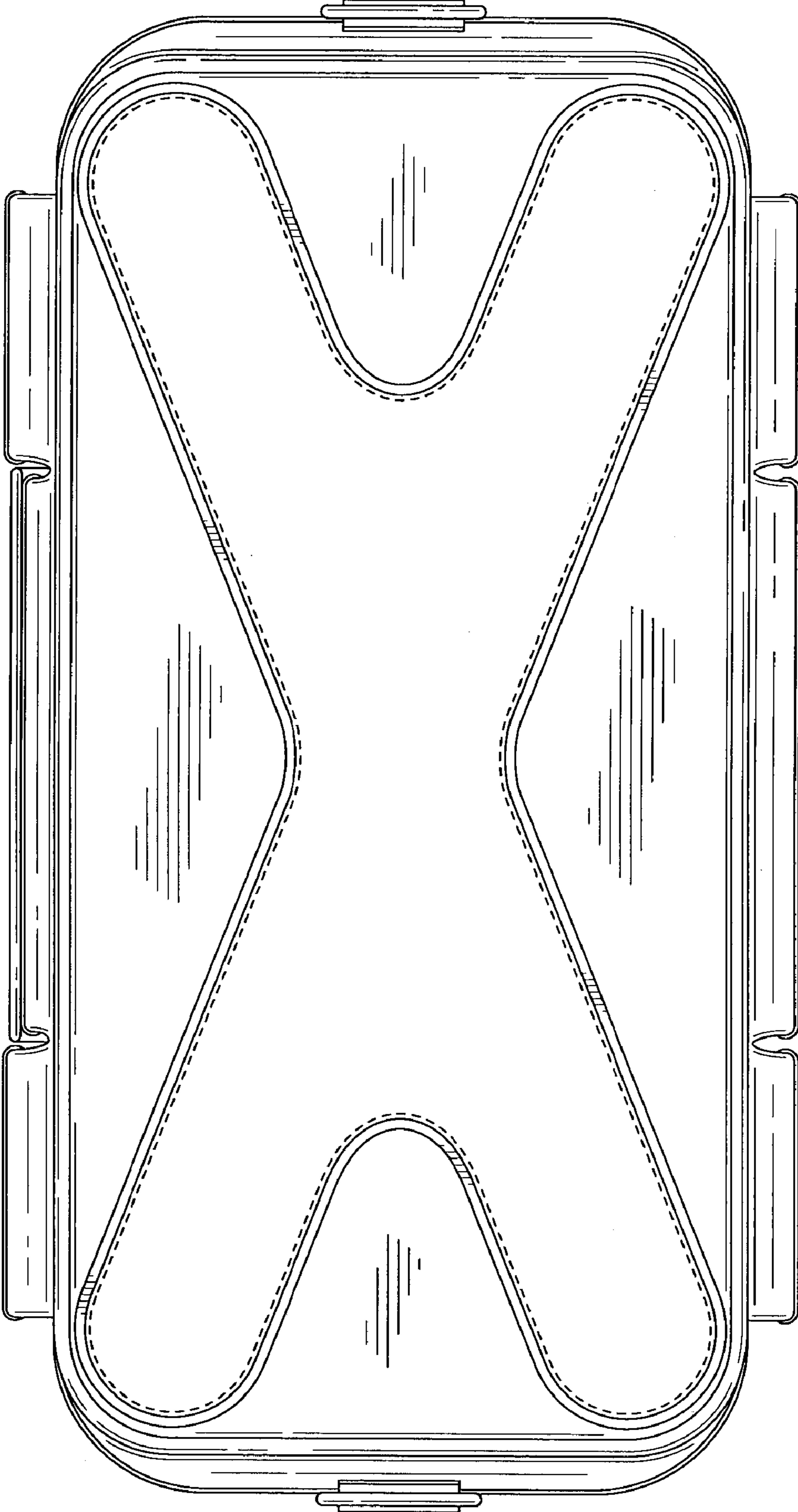


FIG. 7