



US00D635768S

(12) **United States Design Patent**
Molina et al.

(10) **Patent No.:** **US D635,768 S**

(45) **Date of Patent:** **** Apr. 12, 2011**

(54) **TOOL CASE**

(75) Inventors: **Francisco Molina**, Davie, FL (US);
Glenn Robinson, Coral Springs, FL
(US); **Joseph Deguglimo**, Boca Raton,
FL (US)

(73) Assignee: **IBT Holdings, LLC**, Deerfield Beach,
FL (US)

(**) Term: **14 Years**

(21) Appl. No.: **29/370,172**

(22) Filed: **Jun. 14, 2010**

(51) **LOC (9) Cl.** **03-01**

(52) **U.S. Cl.** **D3/282**

(58) **Field of Classification Search** D3/273,
D3/274, 276, 280–284, 286, 288, 291, 292,
D3/294–295, 905; 206/349, 372–379; 220/523,
220/527; D9/423, 424, 426

See application file for complete search history.

(56) **References Cited**

U.S. PATENT DOCUMENTS

D422,787 S *	4/2000	Feng	D3/273
D438,006 S *	2/2001	Hoshino	D3/282
D462,520 S *	9/2002	Snider	D3/282
D474,599 S *	5/2003	Shamoon	D3/282
D478,725 S *	8/2003	Vasudeva et al.	D3/282
6,626,295 B1 *	9/2003	Vasudeva	206/373
D495,488 S *	9/2004	Singh	D3/282
D508,773 S *	8/2005	Singh	D3/282

D536,525 S *	2/2007	Vasudeva et al.	D3/282
D543,358 S *	5/2007	Vasudeva et al.	D3/282
D617,556 S *	6/2010	Molina et al.	D3/282
D617,557 S *	6/2010	Molina et al.	D3/282

* cited by examiner

Primary Examiner — Jennifer Rivard

(74) *Attorney, Agent, or Firm* — Dan DeLaRosa

(57) **CLAIM**

The ornamental design for a tool case, as shown and described.

DESCRIPTION

FIG. 1 is a front perspective view of the tool case of the present invention in a closed position showing my new design;

FIG. 2 is another perspective view of the tool case in a closed position;

FIG. 3 is a side elevational view thereof;

FIG. 4 is a front side elevational view thereof;

FIG. 5 is another side elevational view thereof;

FIG. 6 is a back side elevational view thereof;

FIG. 7 is a top plan view thereof;

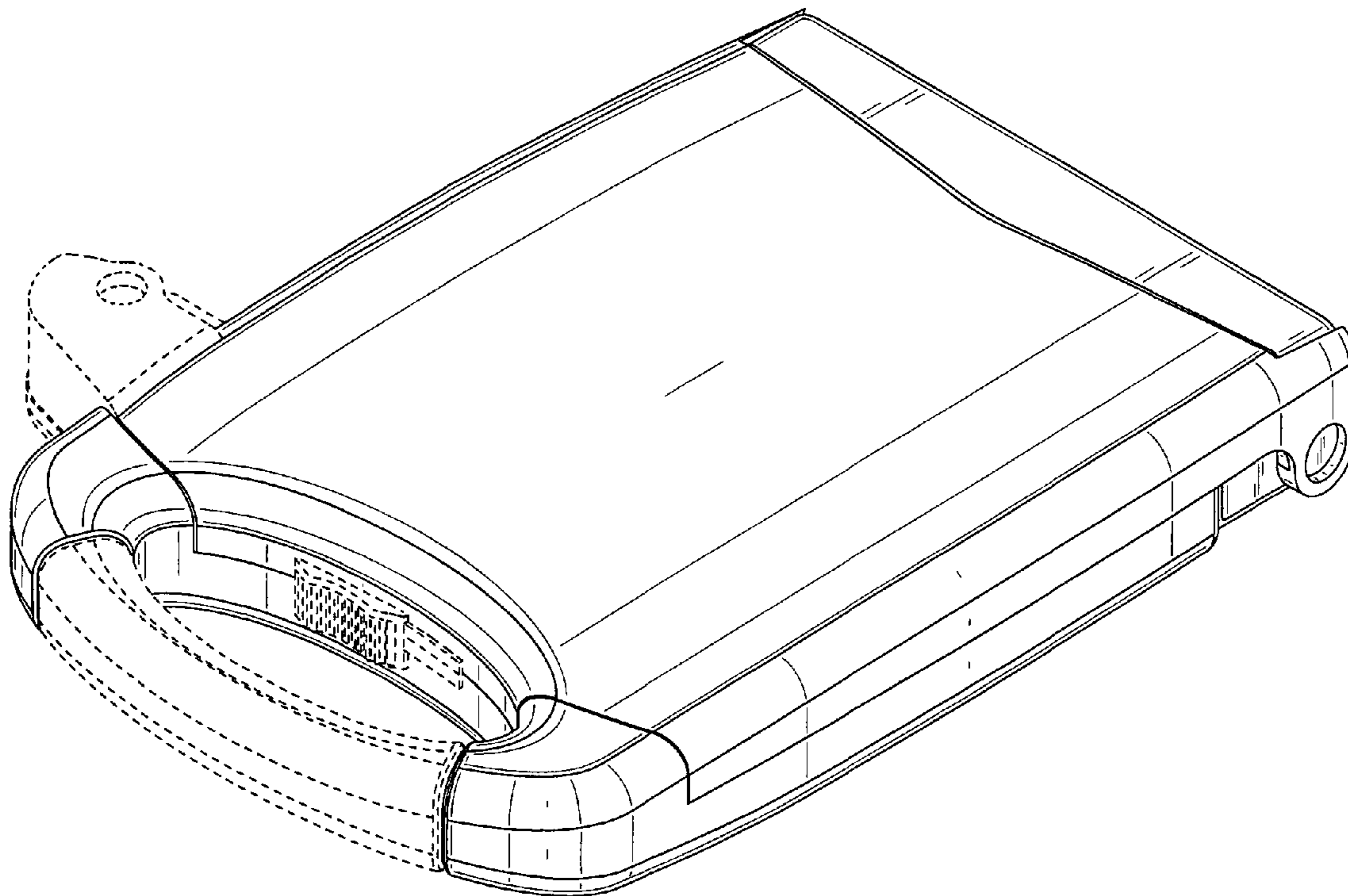
FIG. 8 is a bottom plan view thereof;

FIG. 9 is a perspective view of the tool case in an opened position; and,

FIG. 10 is another perspective view of the tool case in an opened position.

The broken lines shown in the drawings illustrate portions of the article and form no part of the claimed design.

1 Claim, 8 Drawing Sheets



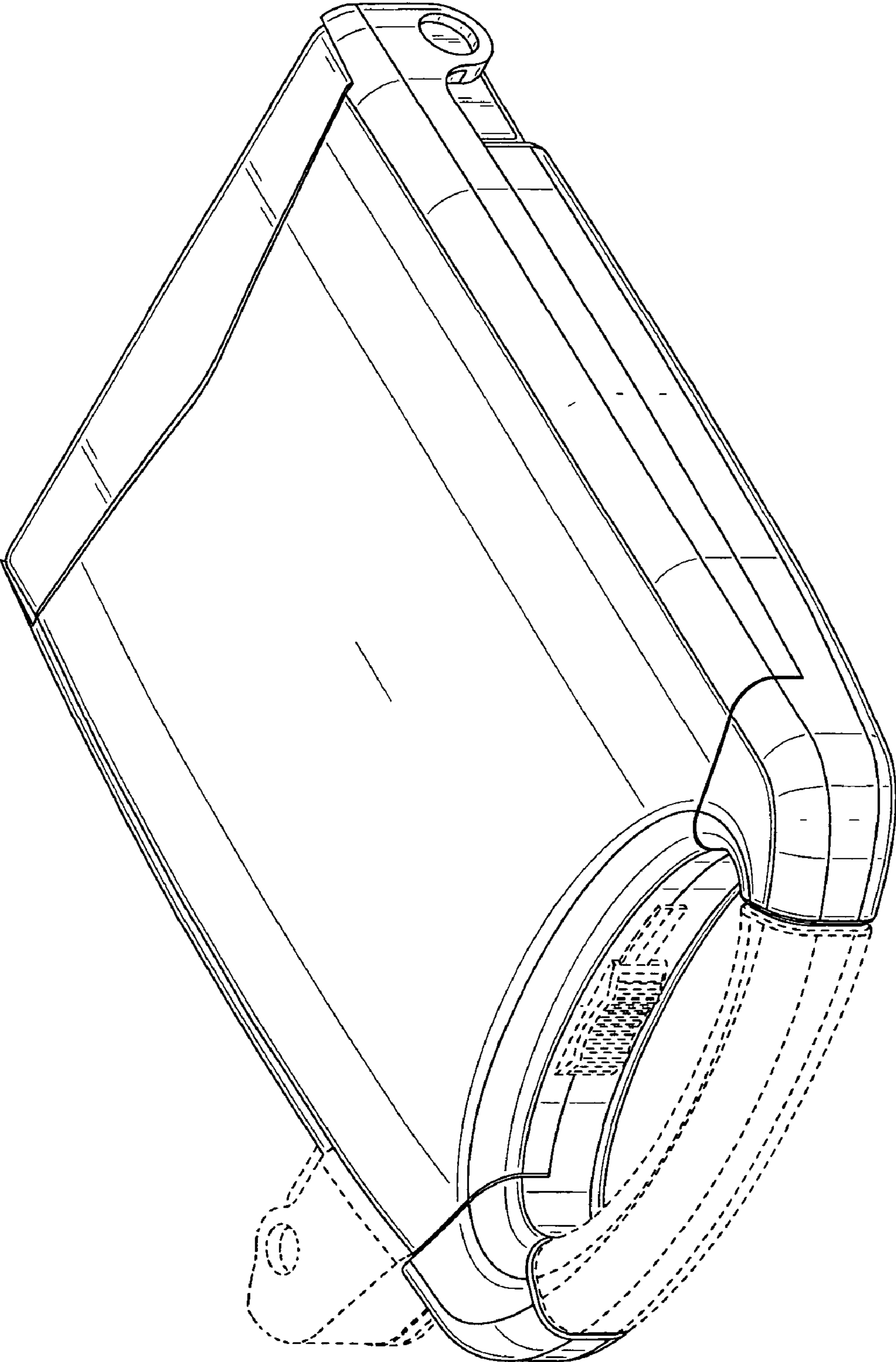


FIG. 1

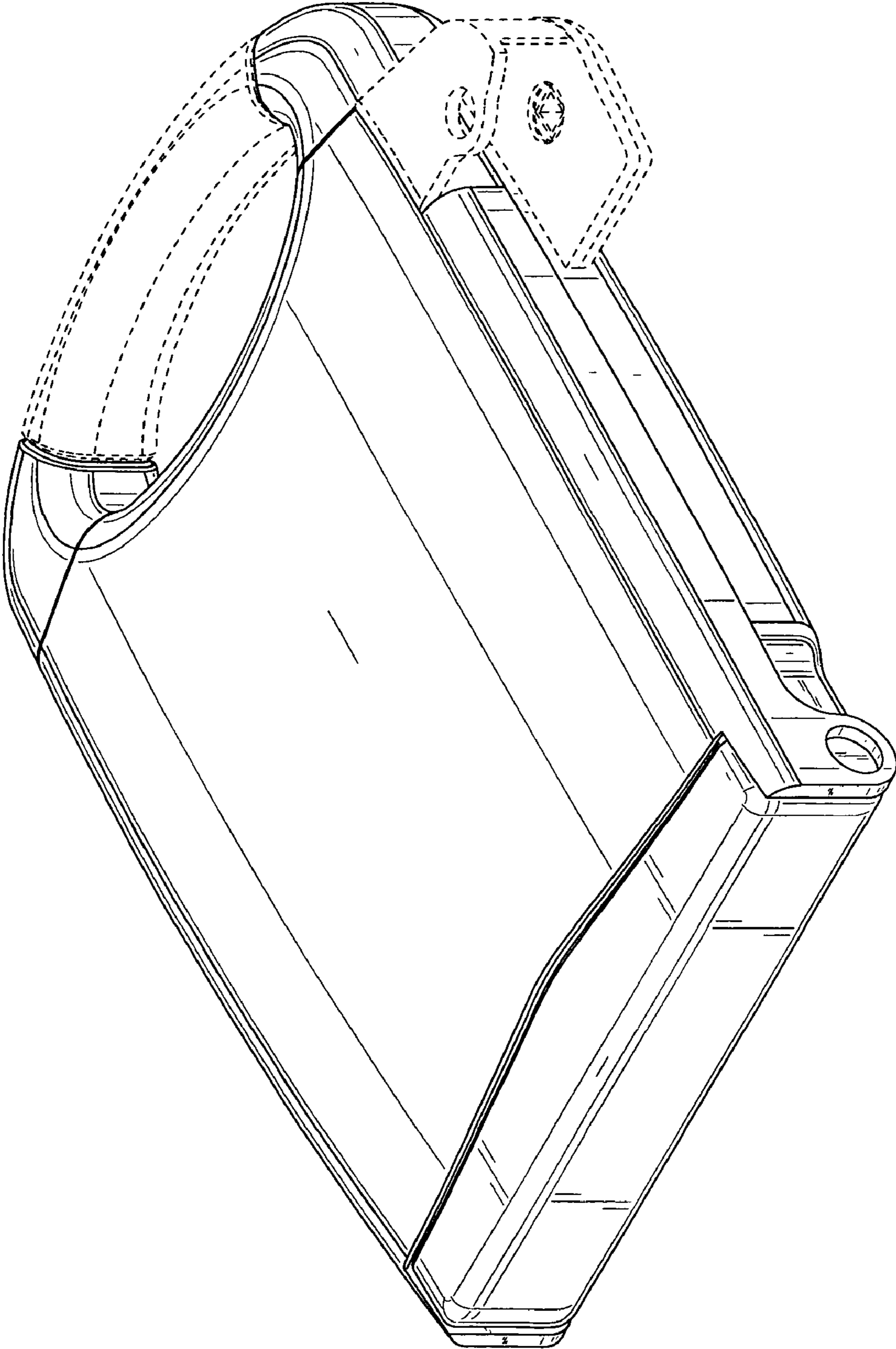


FIG. 2

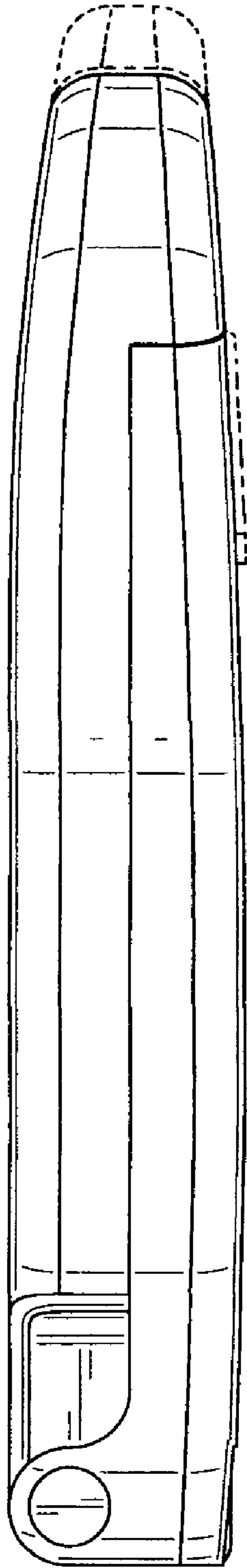


FIG. 3

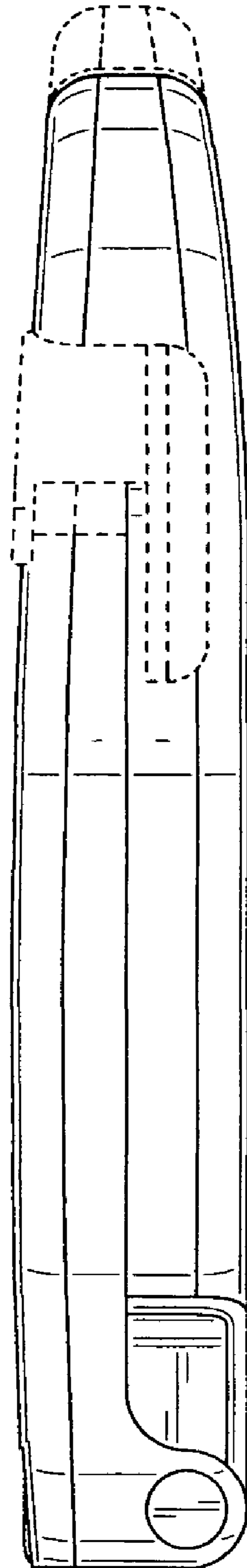


FIG. 5

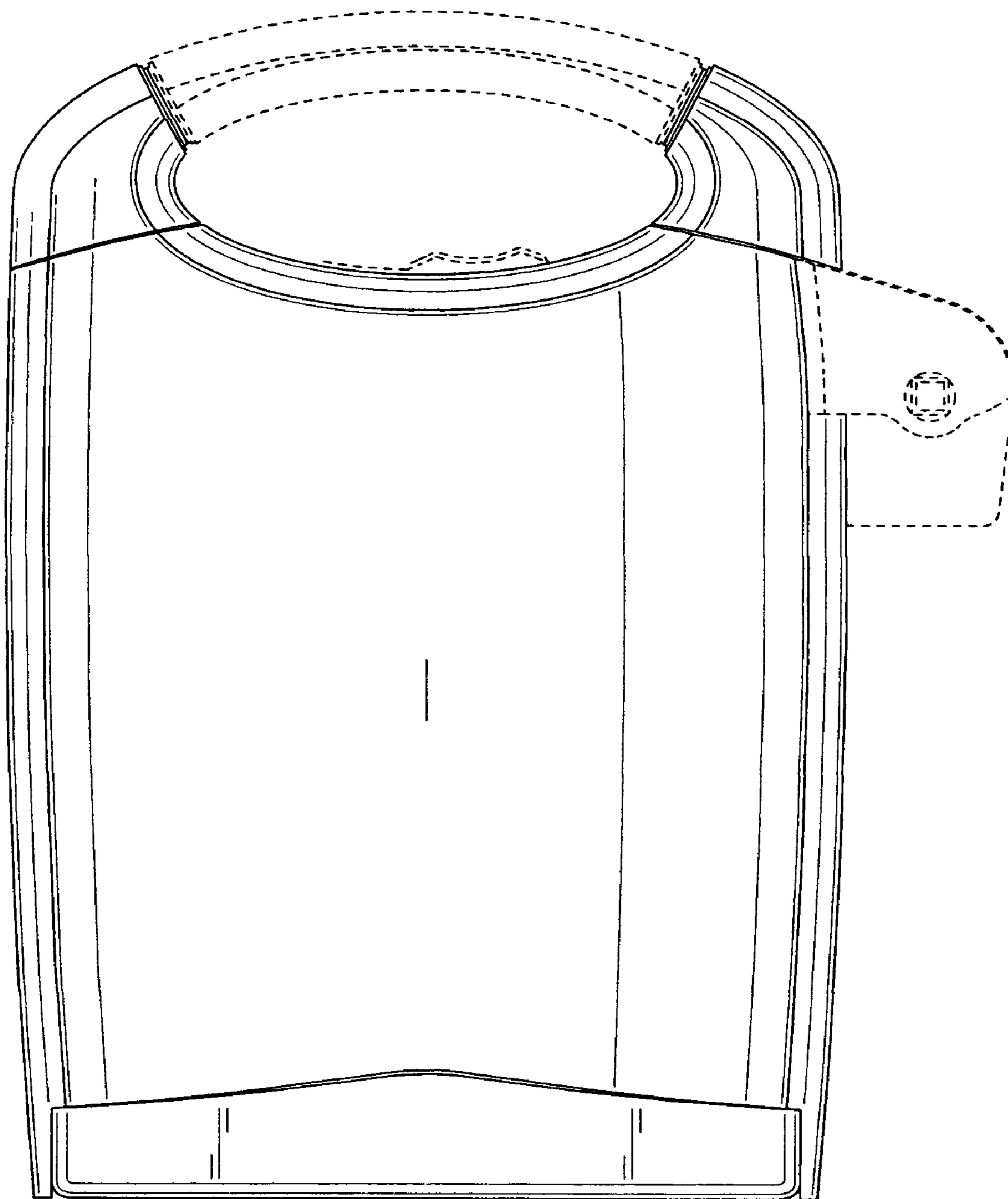


FIG. 4

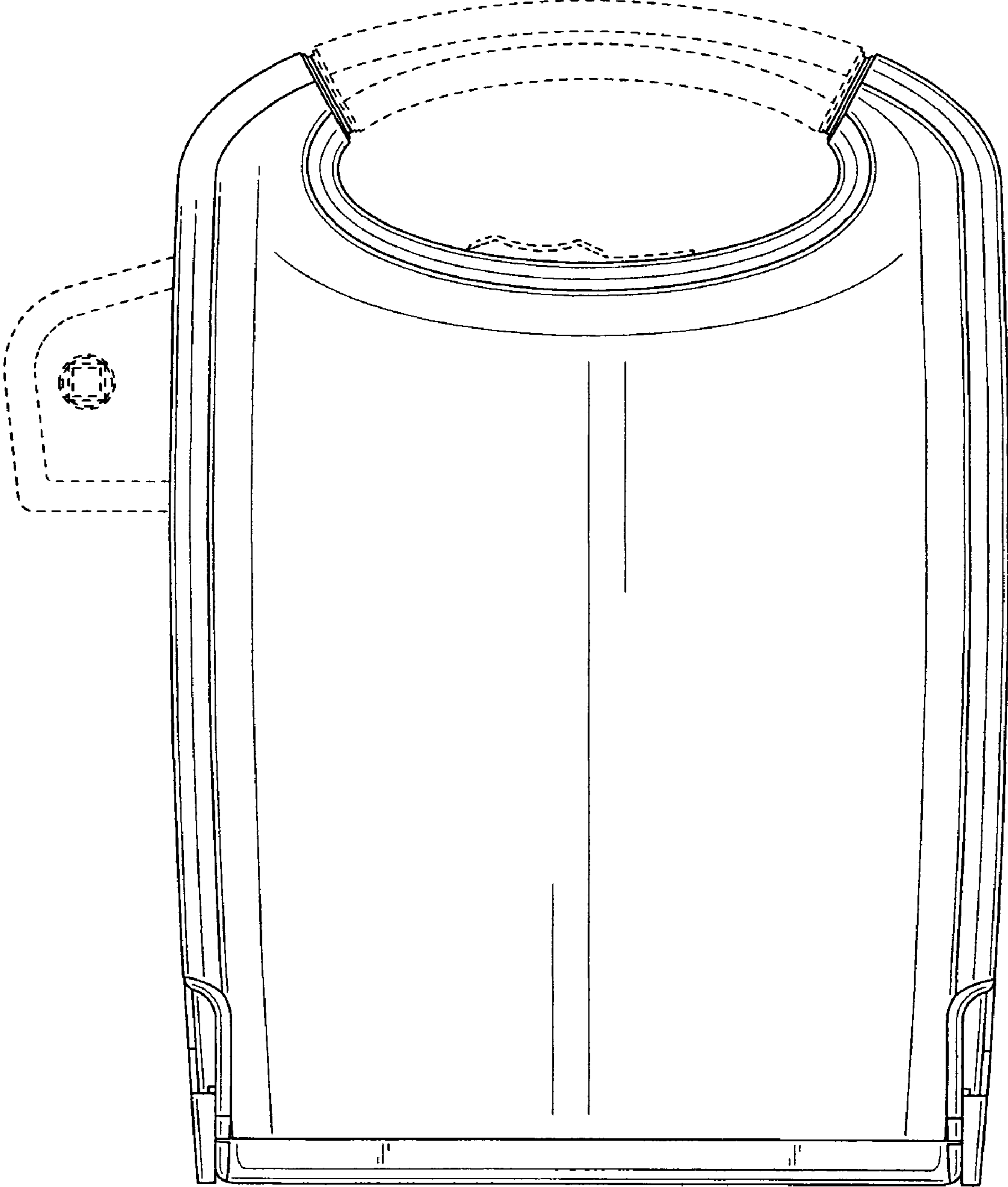


FIG. 6

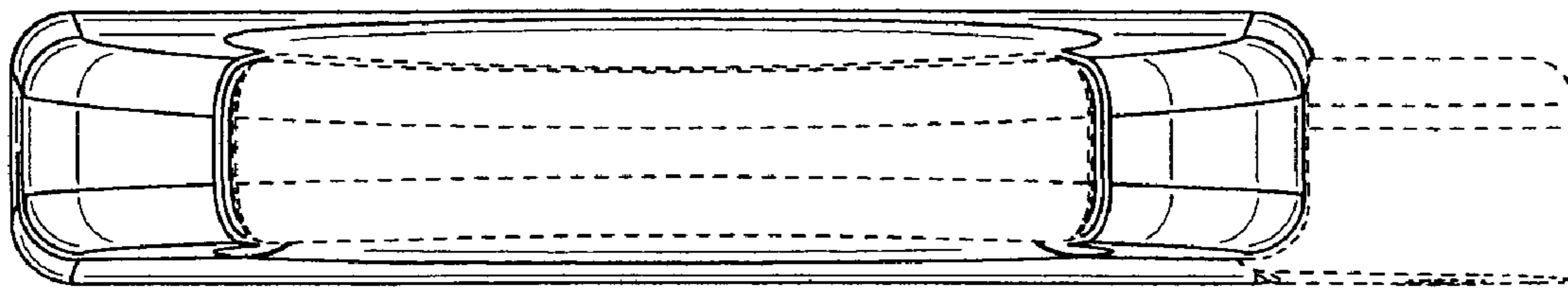


FIG. 7

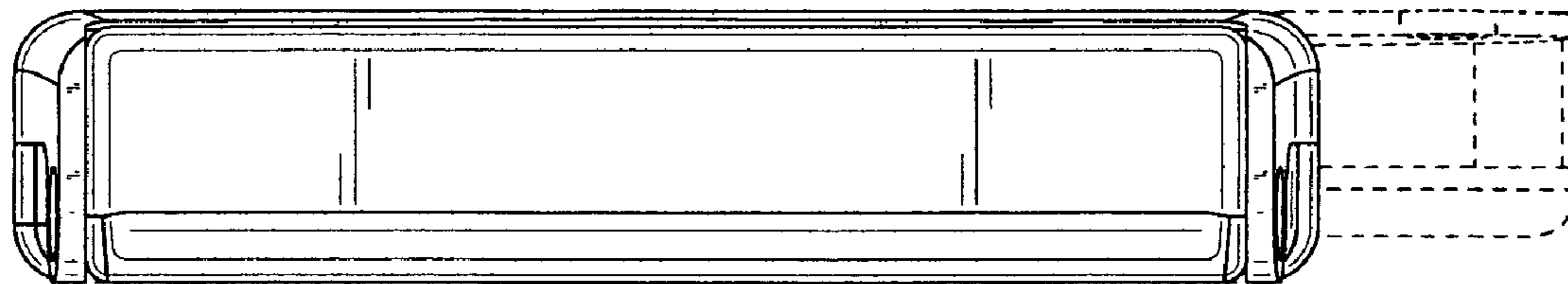


FIG. 8

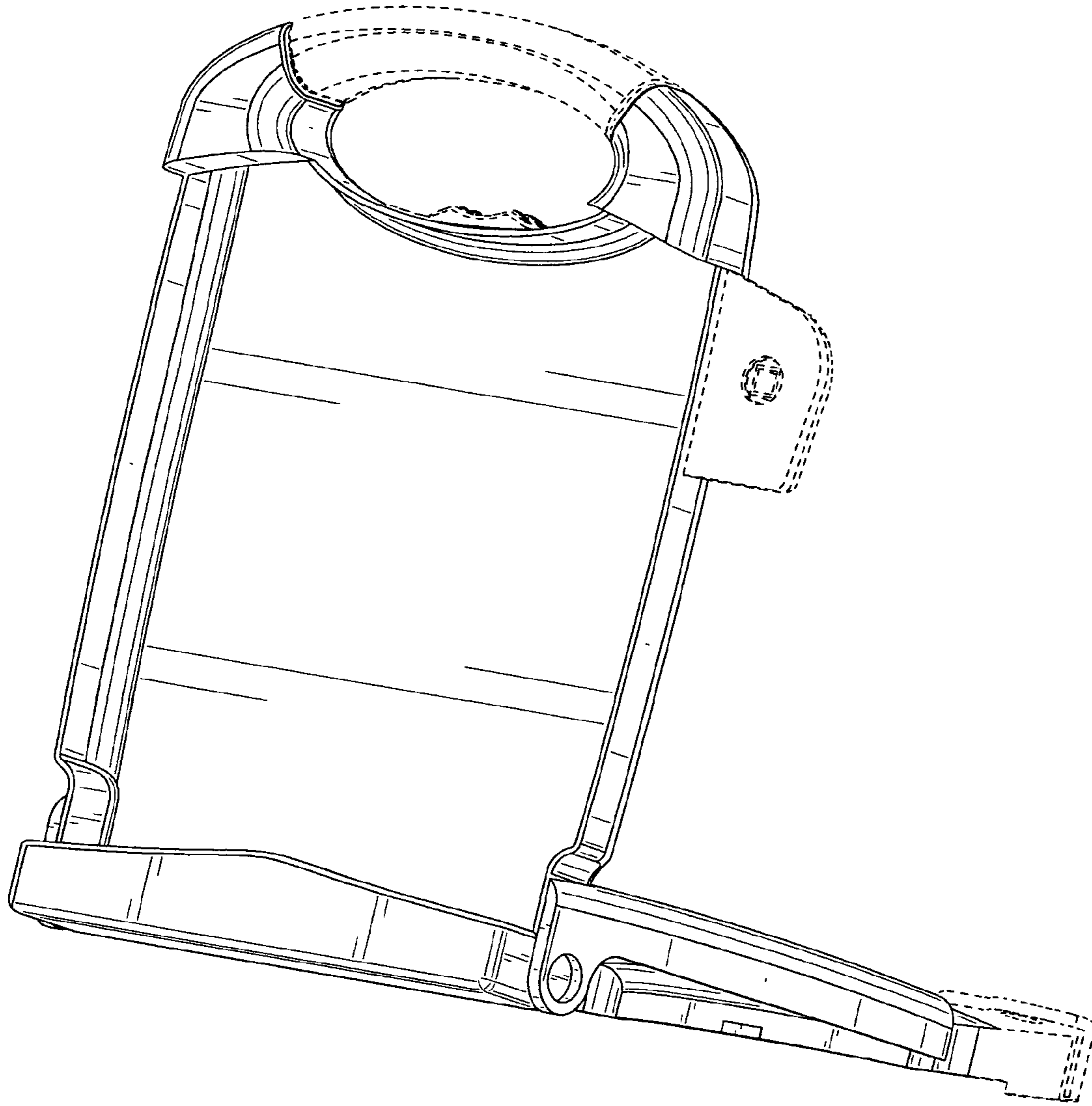


FIG. 9

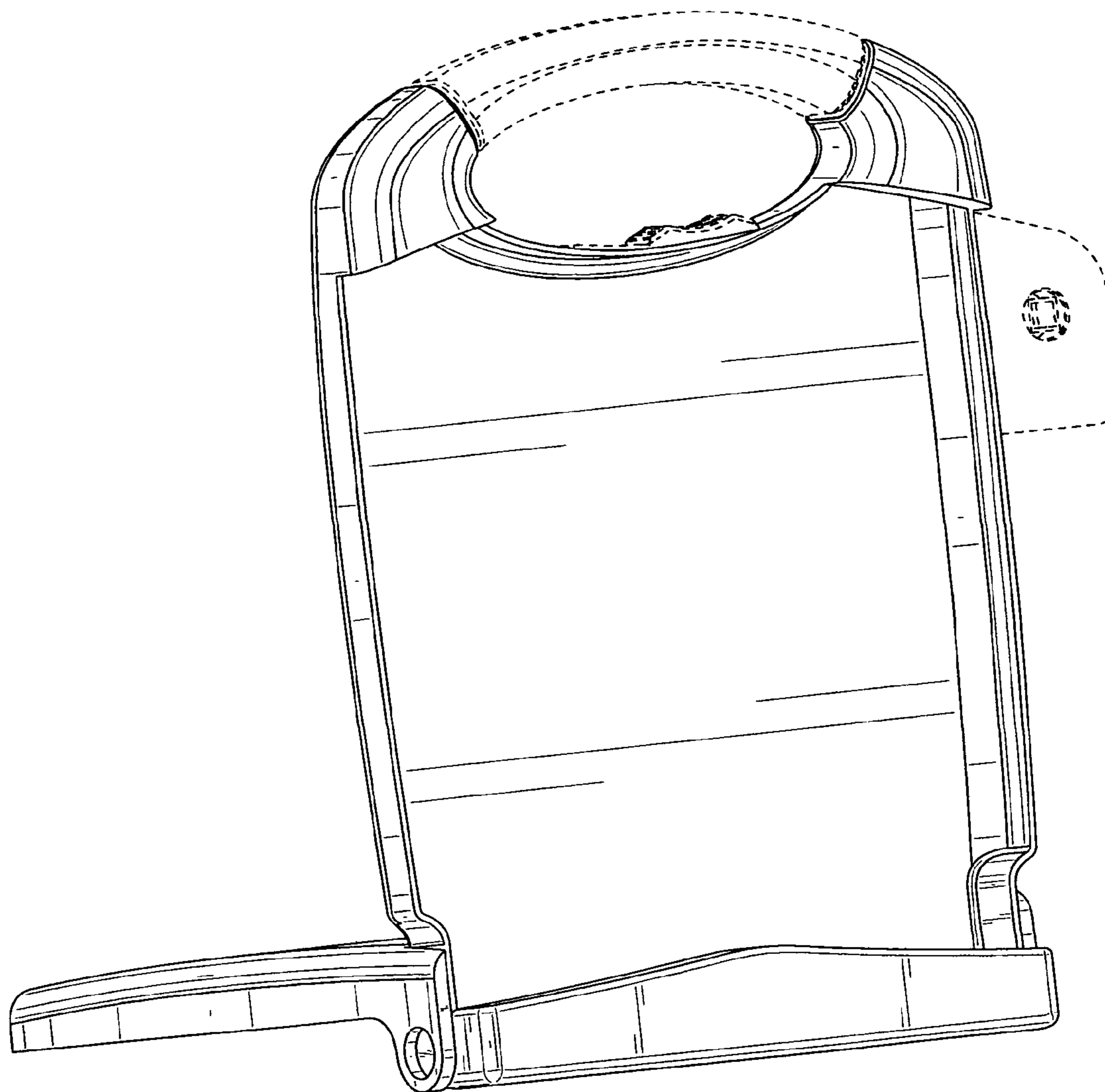


FIG. 10