



US00D635766S

(12) **United States Design Patent**
Roesler

(10) **Patent No.:** **US D635,766 S**

(45) **Date of Patent:** **** Apr. 12, 2011**

(54) **PACKAGING BOX**

(76) Inventor: **Peter Roesler**, Wangen (DE)

(**) Term: **14 Years**

(21) Appl. No.: **29/341,506**

(22) Filed: **Aug. 6, 2009**

(30) **Foreign Application Priority Data**

Feb. 6, 2009 (EP) 001083604

(51) **LOC (9) Cl.** **03-01**

(52) **U.S. Cl.** **D3/282**

(58) **Field of Classification Search** D3/273,
D3/274, 276, 280–284, 286, 288, 291, 292,
D3/294–295, 905; 206/349, 372–379; 220/523,
220/527; D9/423, 424, 426
See application file for complete search history.

(56) **References Cited**

U.S. PATENT DOCUMENTS

D362,546 S * 9/1995 Mundorf et al. D3/276
D384,501 S * 10/1997 Rosen D3/282

D390,357 S * 2/1998 Rosen D3/282
D485,437 S * 1/2004 Lee D3/282
D516,808 S * 3/2006 Brunson et al. D3/273
D602,692 S * 10/2009 Wu D3/282

* cited by examiner

Primary Examiner — Jennifer Rivard

(74) *Attorney, Agent, or Firm* — Frederick L. Tolhurst, Esq.;
Cohen & Grigsby, P.C.

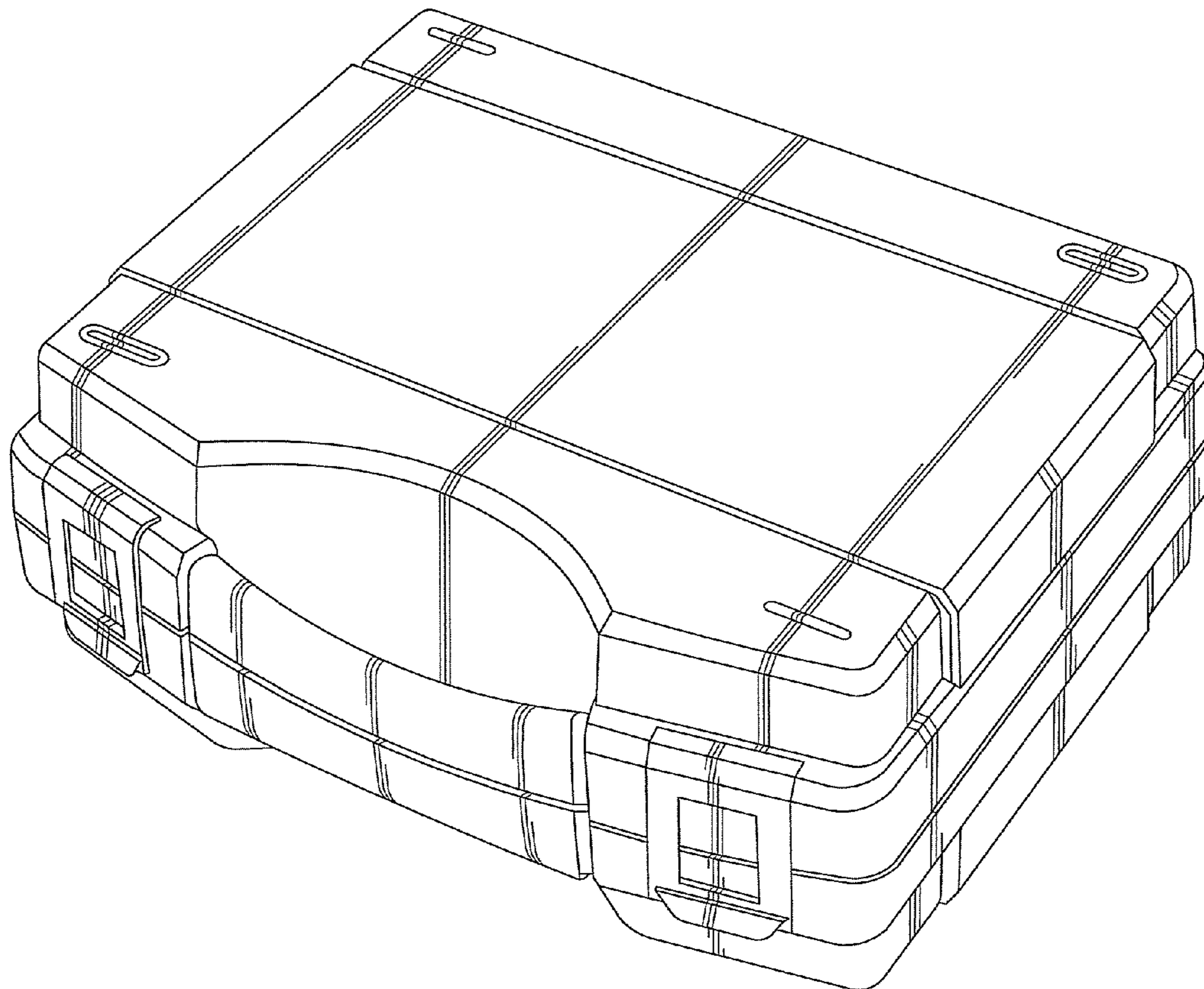
(57) **CLAIM**

The ornamental design for the packaging box, as shown and described.

DESCRIPTION

FIG. 1 is a front perspective view of the packaging box.
FIG. 2 is a rear perspective view of the packaging box.
FIG. 3 is a front elevation of the packaging box.
FIG. 4 is a top plan view of the packaging box.
FIG. 5 is a rear elevation view of the packaging box.
FIG. 6 is bottom view of the packaging box.
FIG. 7 is right side elevation view of the packaging box; and,
FIG. 8 is a left side elevation view of the packaging box.

1 Claim, 5 Drawing Sheets



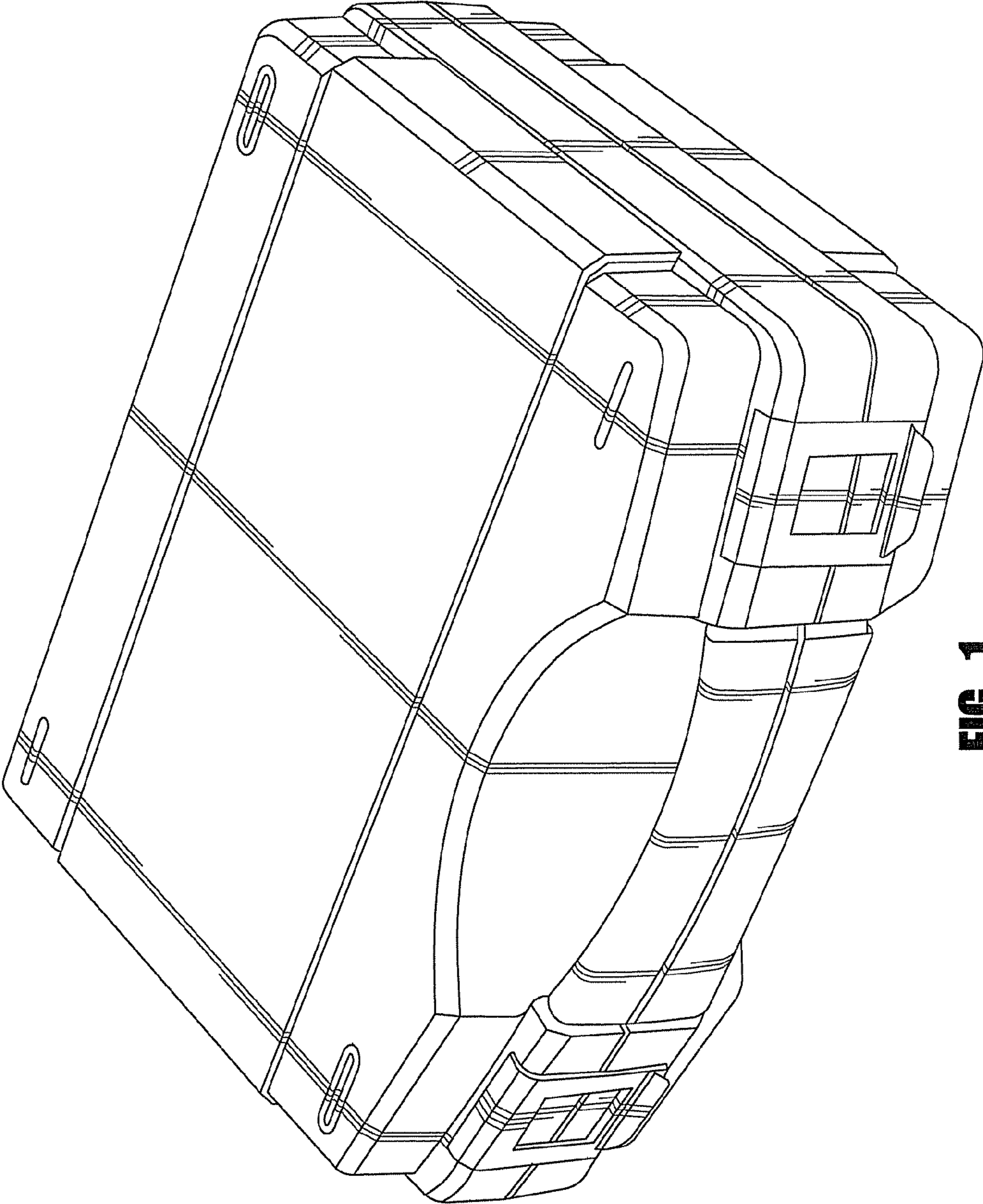


FIG. 1

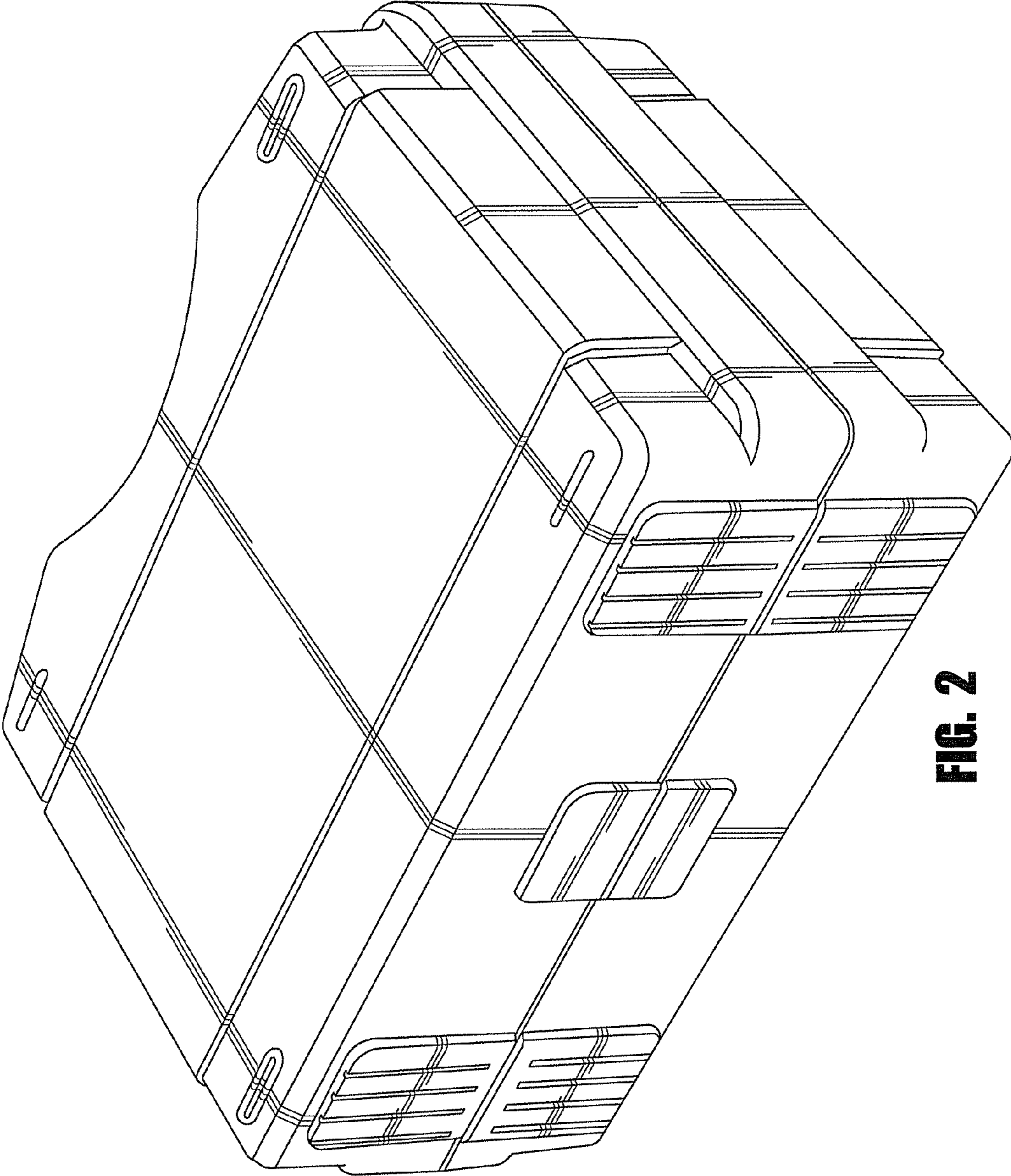


FIG. 2

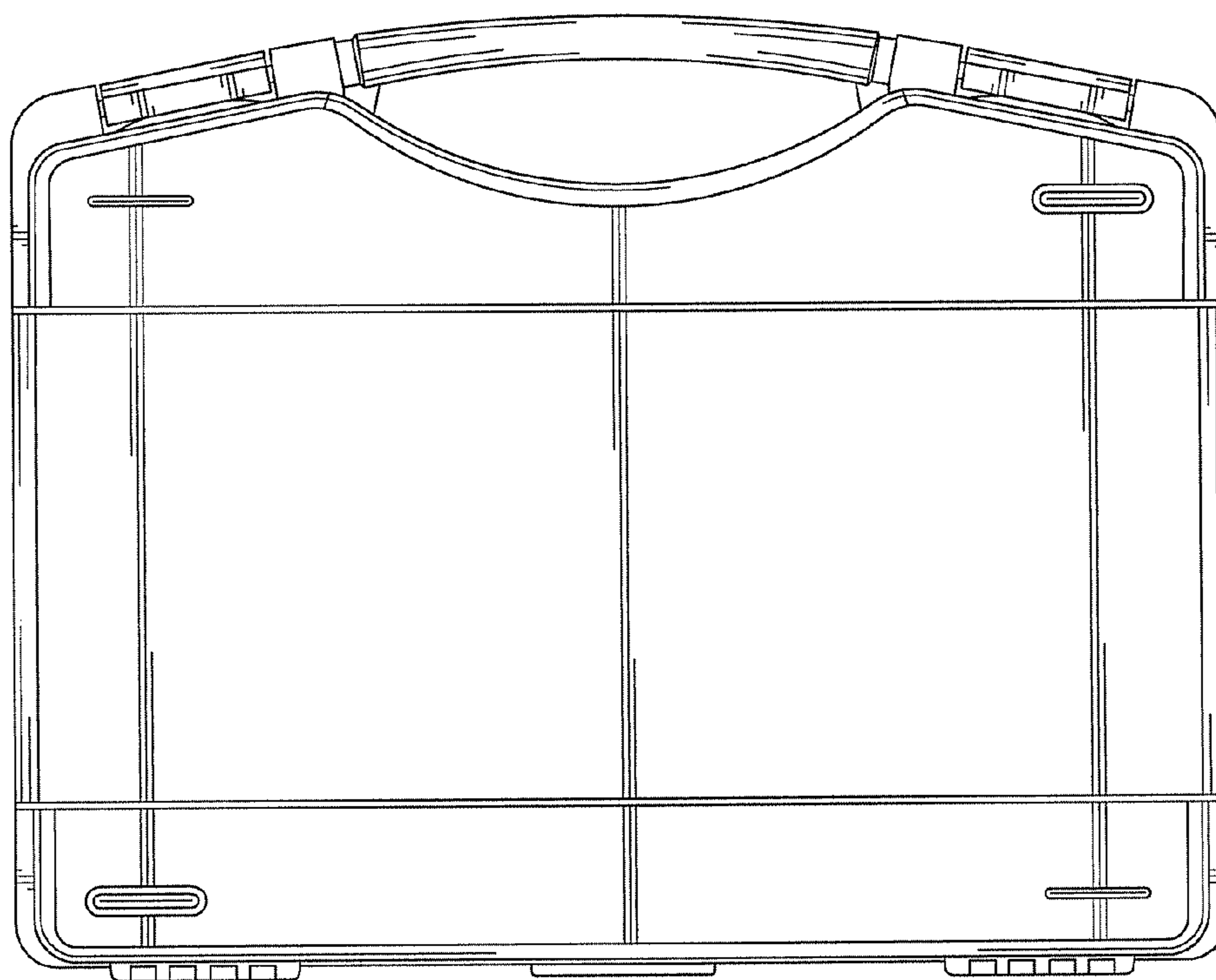


FIG. 3

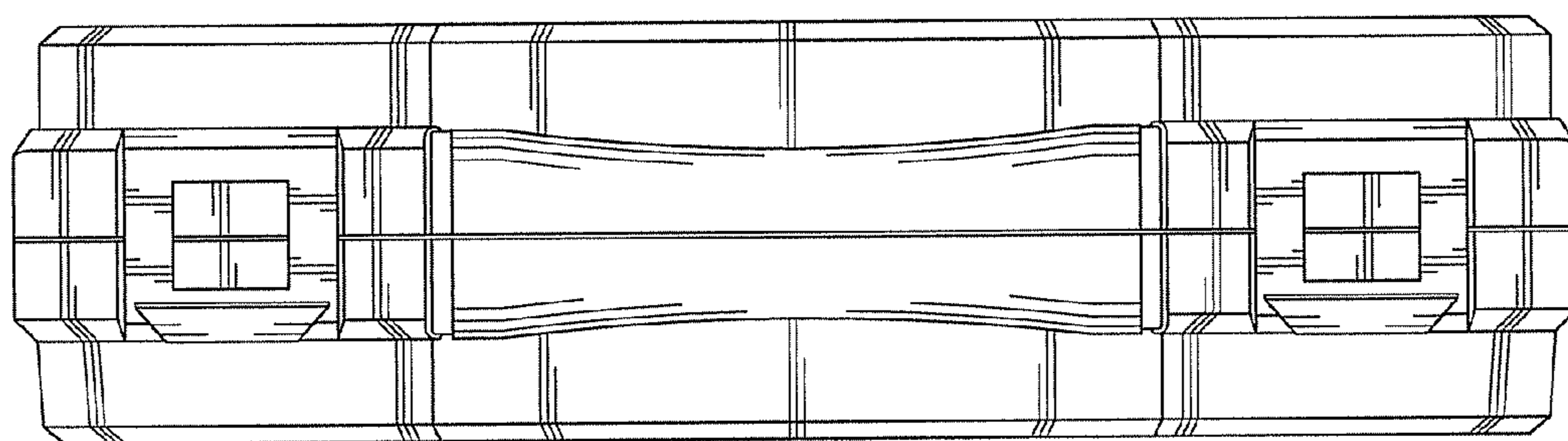


FIG. 4

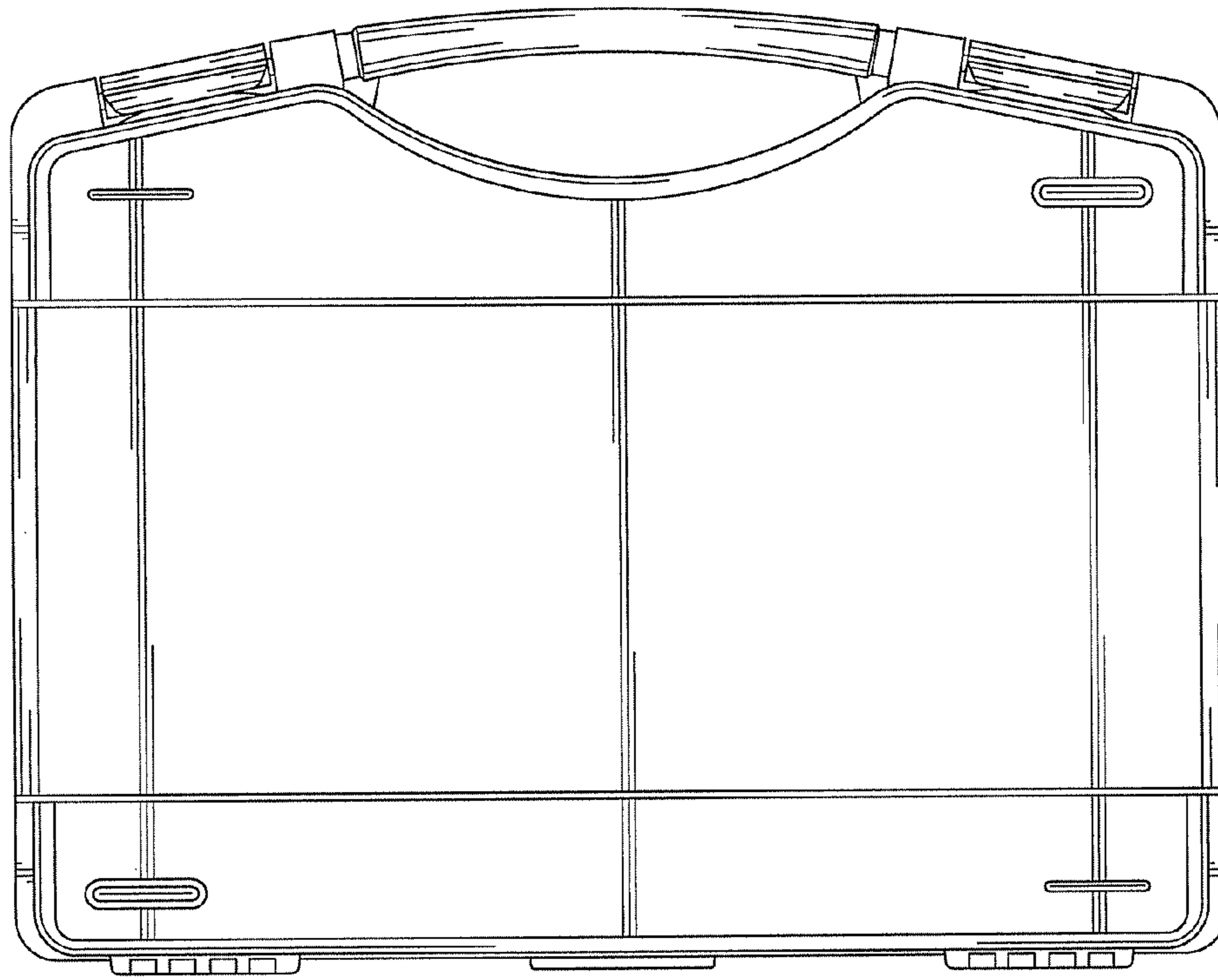


FIG. 5

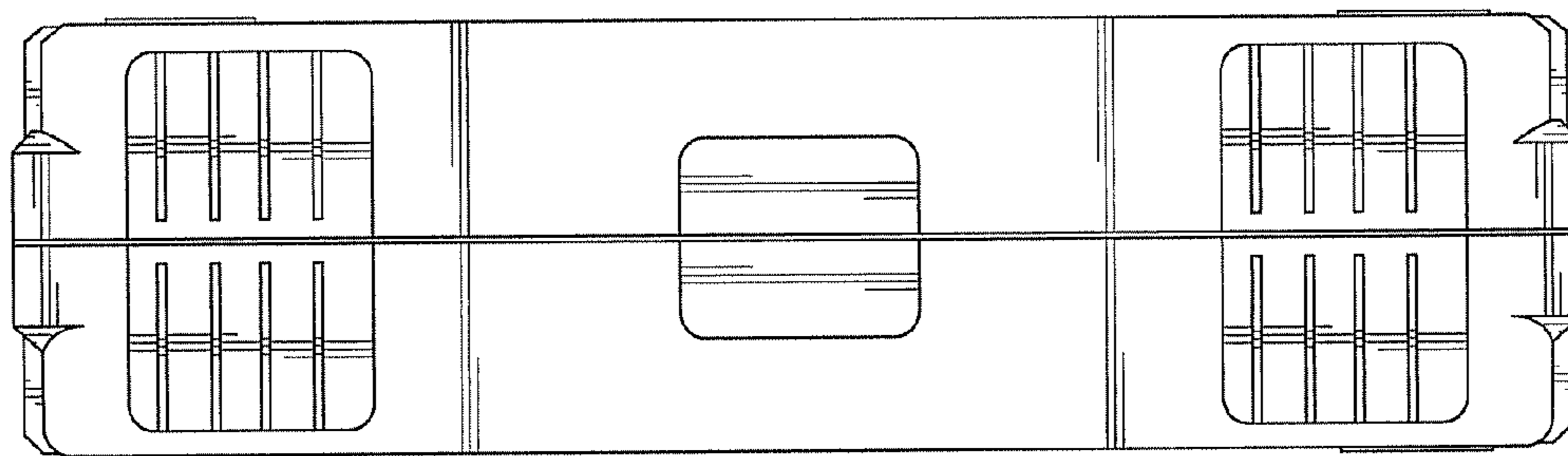


FIG. 6

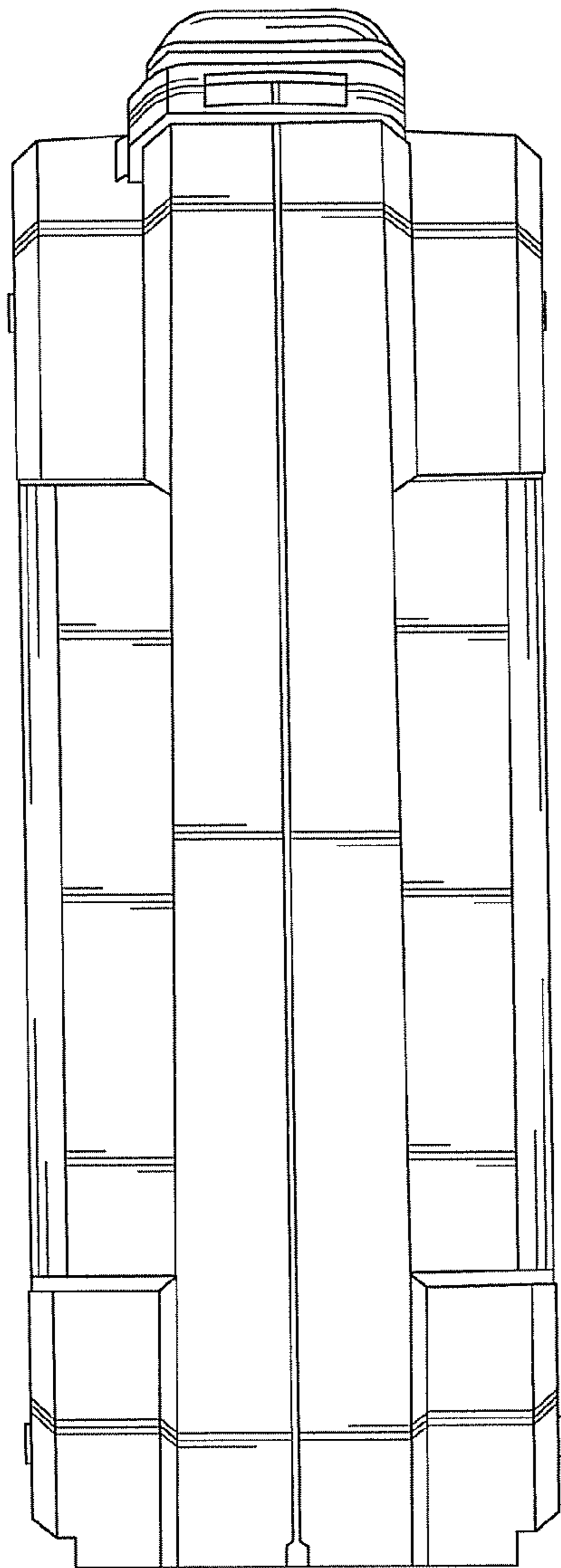


FIG. 7

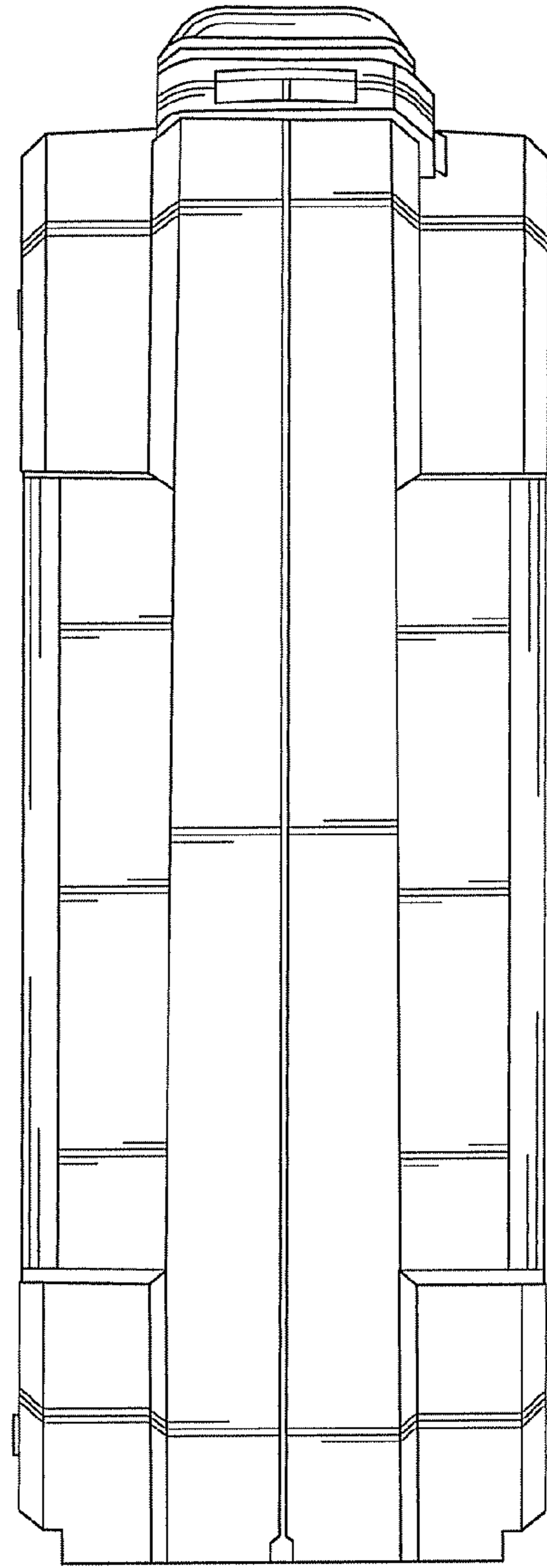


FIG. 8