



US00D635764S

(12) **United States Design Patent**
Kallas et al.

(10) **Patent No.:** **US D635,764 S**

(45) **Date of Patent:** **** Apr. 12, 2011**

(54) **GOLF BAG**

Primary Examiner — Holly H Baynham

(75) Inventors: **Ryan Kallas**, Paulsbo, WA (US); **J. Herschel Blankenship**, Bainbridge Island, WA (US)

(74) *Attorney, Agent, or Firm* — J. Bennett Mullinax, LLC

(73) Assignee: **Access Products Group LLC**, Bainbridge Island, WA (US)

(57) **CLAIM**

The ornamental design for a golf bag, as shown and described.

(**) Term: **14 Years**

DESCRIPTION

(21) Appl. No.: **29/336,583**

(22) Filed: **May 6, 2009**

(51) **LOC (9) Cl.** **03-01**

(52) **U.S. Cl.** **D3/254**

(58) **Field of Classification Search** D3/254–255,
D3/259, 320; 224/645, 260, 627; 206/315.3–315.8
See application file for complete search history.

FIG. 1 is a front perspective view of the golf bag according to the present design;

FIG. 2 is a left side elevation view of the golf bag as shown in FIG. 1;

FIG. 3 is a right side elevation view of the golf bag as shown in FIG. 1;

FIG. 4 is a front elevation view of the golf bag as shown in FIG. 1;

FIG. 5 is a back elevation view of the golf bag as shown in FIG. 1;

FIG. 6 is a bottom plan view of the golf bag as shown in FIG. 1; and,

FIG. 7 is a top plan view of the golf bag as shown in FIG. 1. The broken line showing of zippers and strap connectors is included for the purpose of illustrating environment and forms no part of the claimed design.

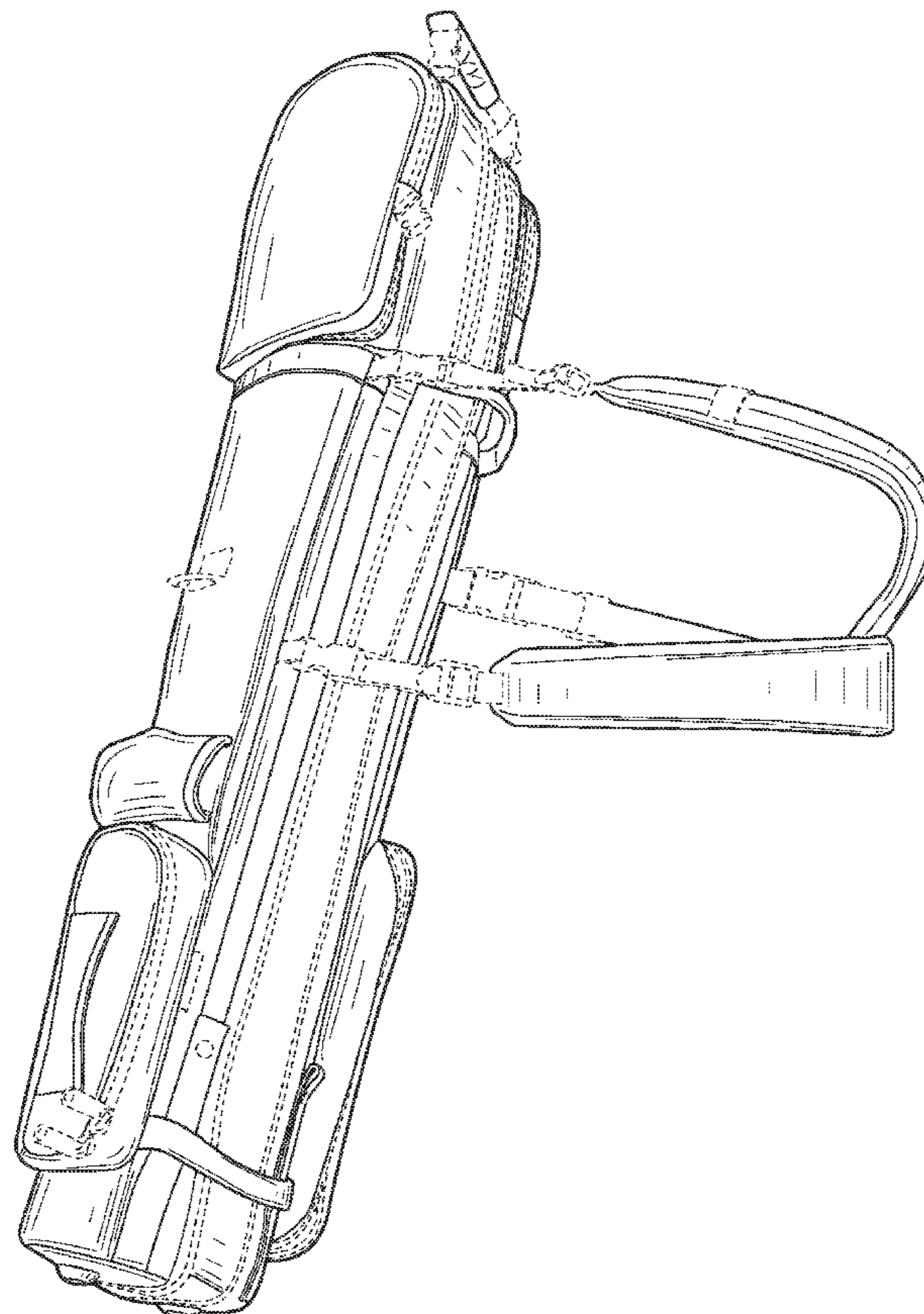
(56) **References Cited**

U.S. PATENT DOCUMENTS

2,436,688	A *	2/1948	Corbett	206/315.3
6,202,840	B1 *	3/2001	Chang	206/315.4
6,736,264	B2 *	5/2004	Yoshida	206/315.7
D493,033	S	7/2004	Howe, Jr.		
D576,794	S	9/2008	Yoshida et al.		
D606,750	S *	12/2009	Ciaudo	D3/255

* cited by examiner

1 Claim, 6 Drawing Sheets



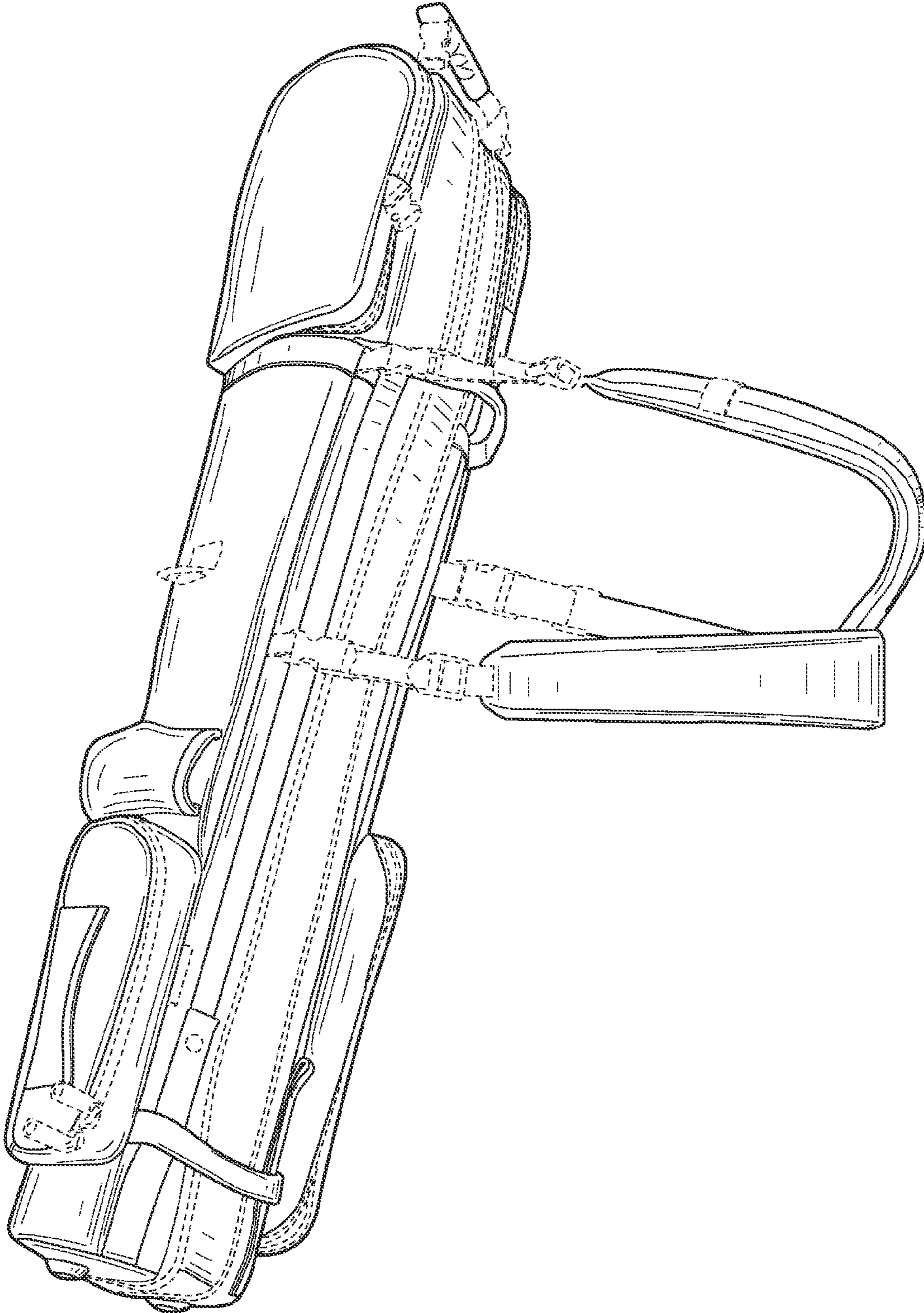


FIG. 1

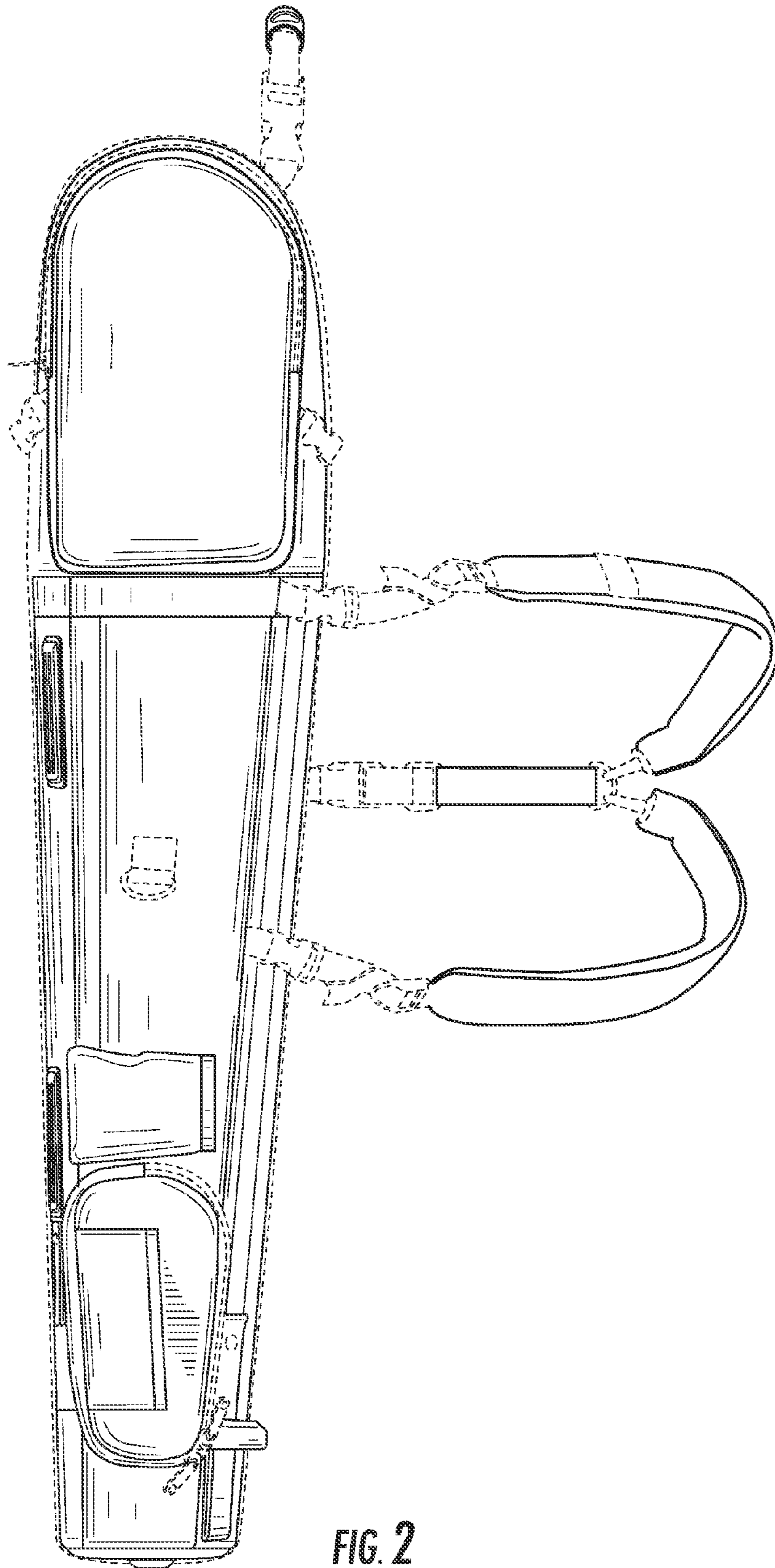


FIG. 2

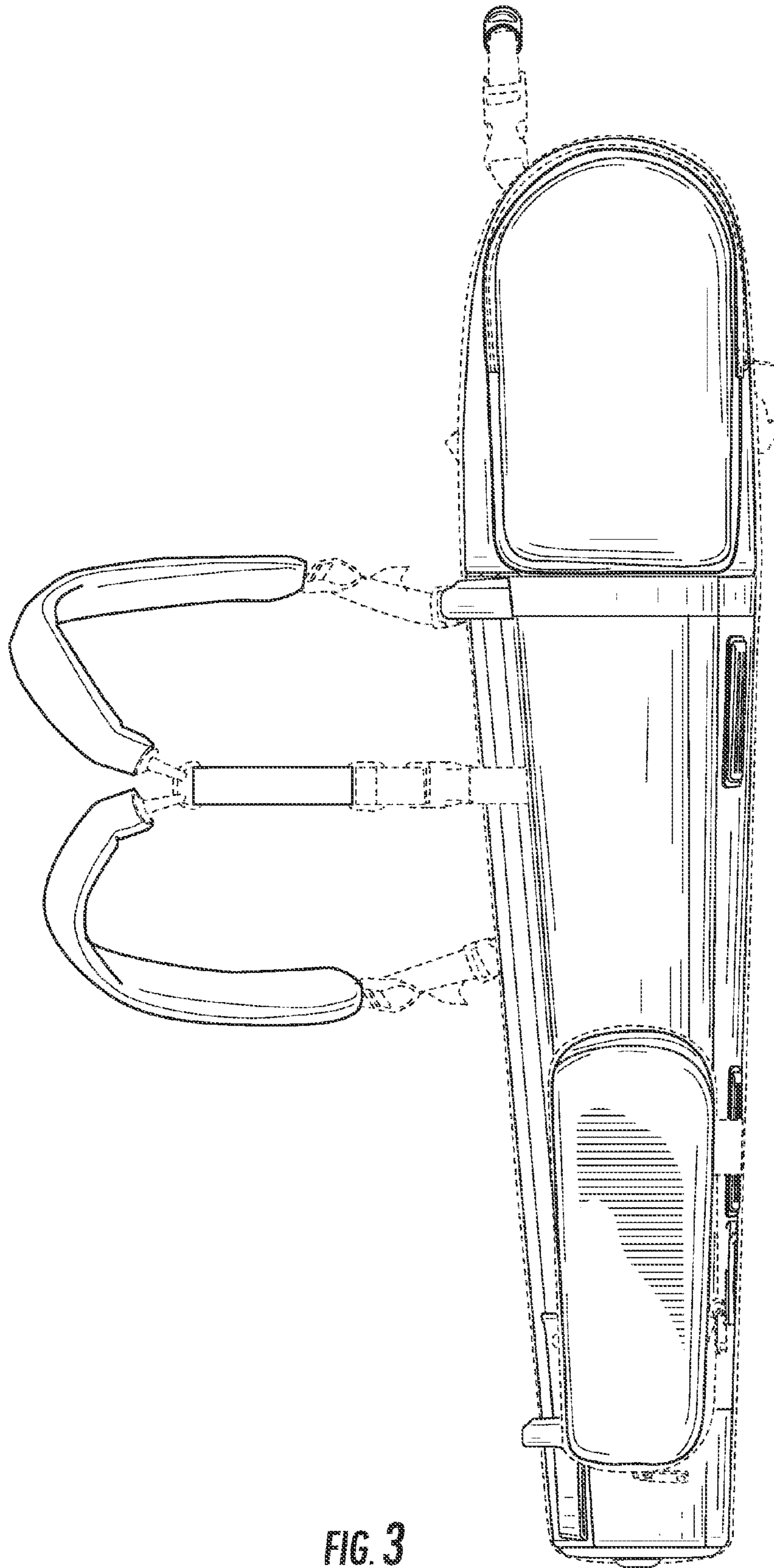


FIG. 3

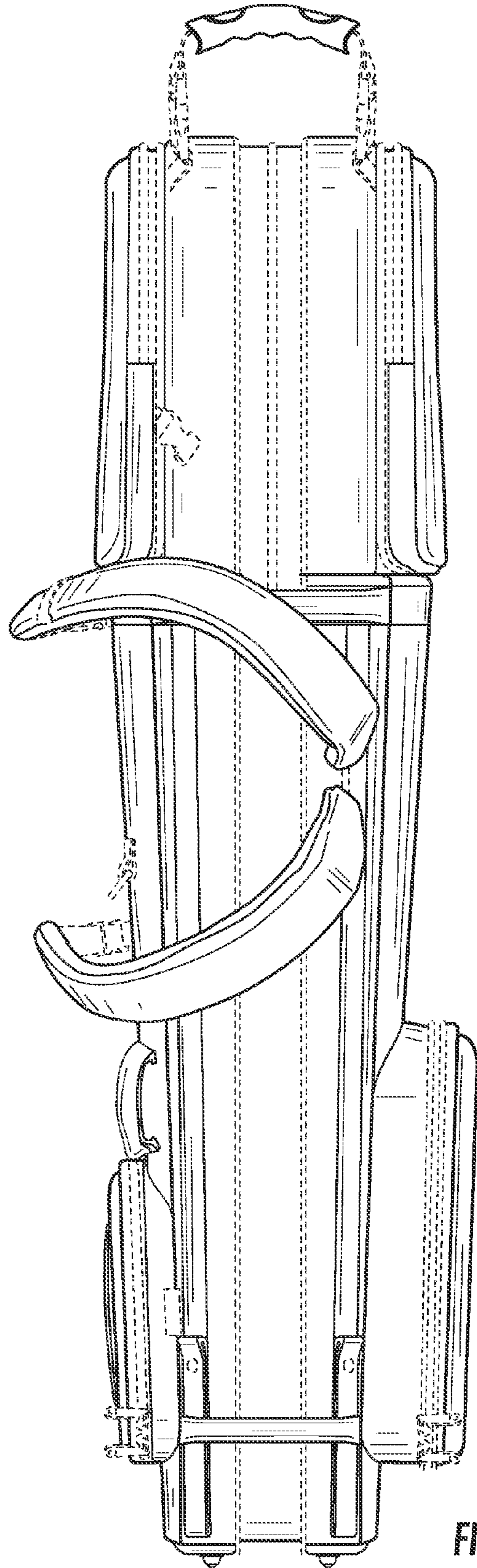


FIG. 4

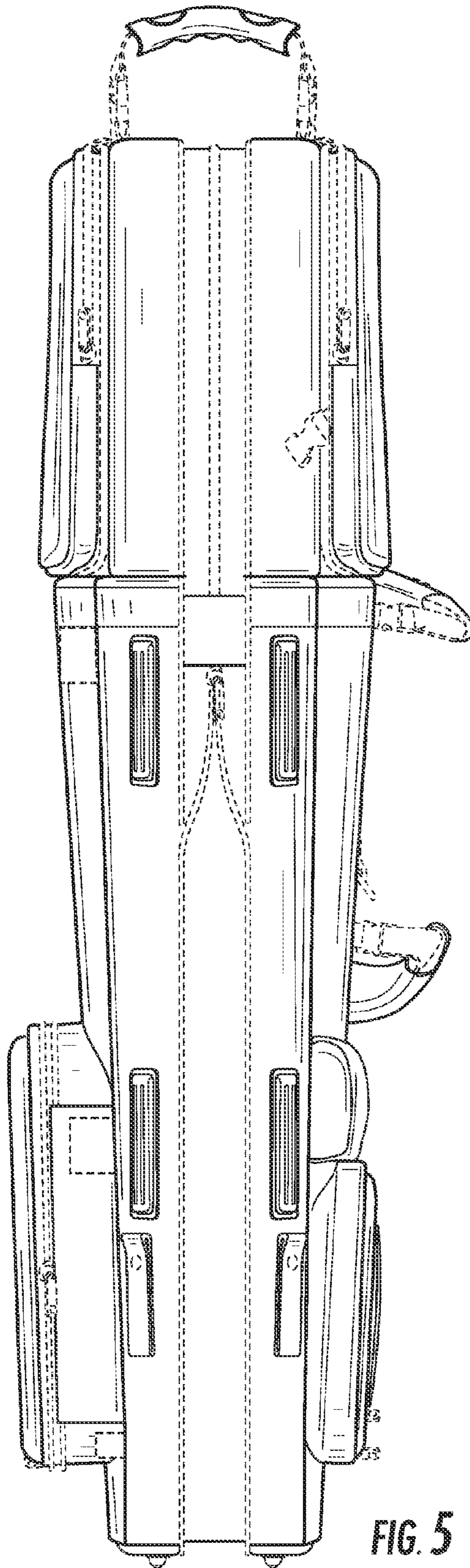


FIG. 5

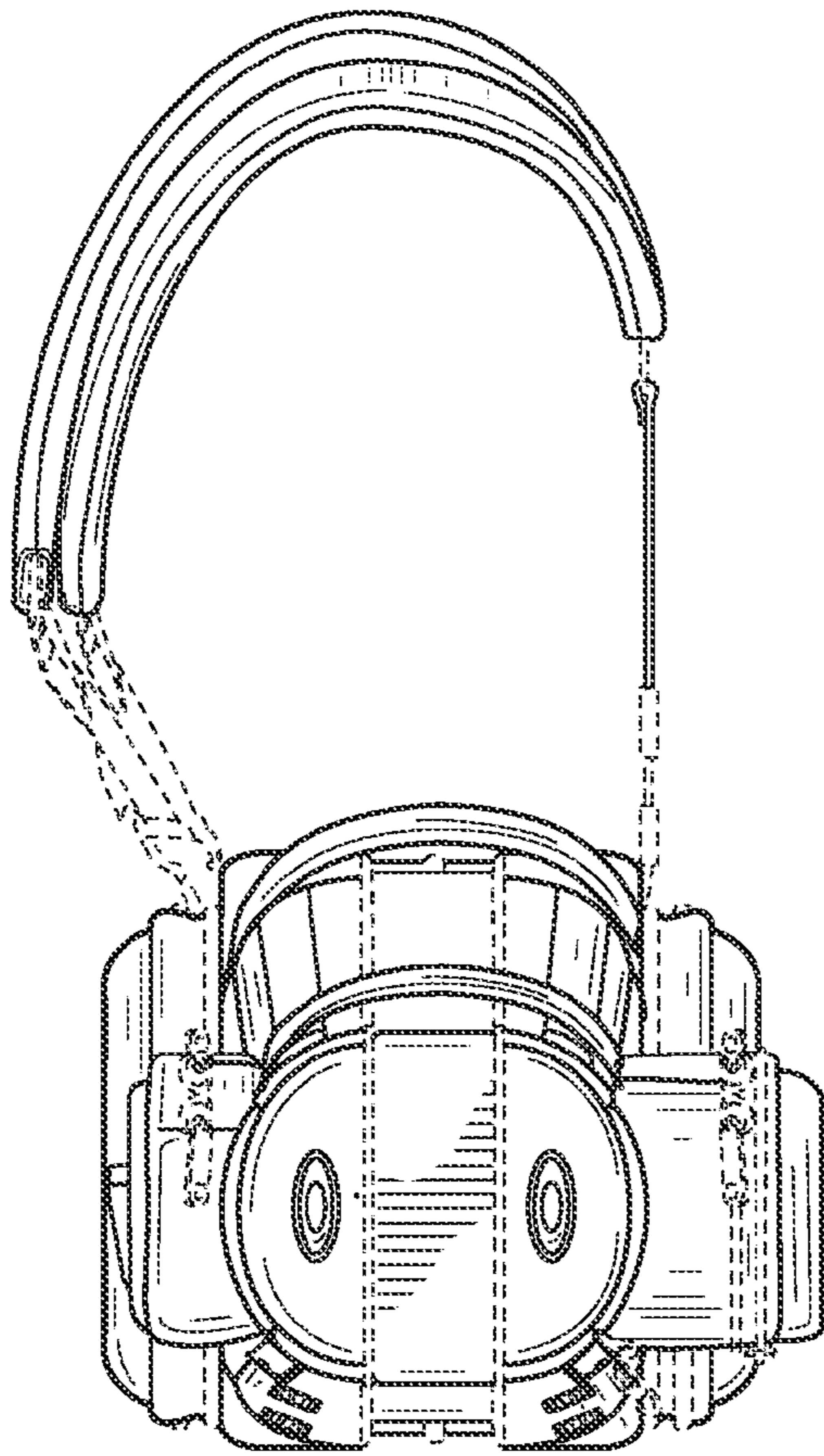


FIG. 6

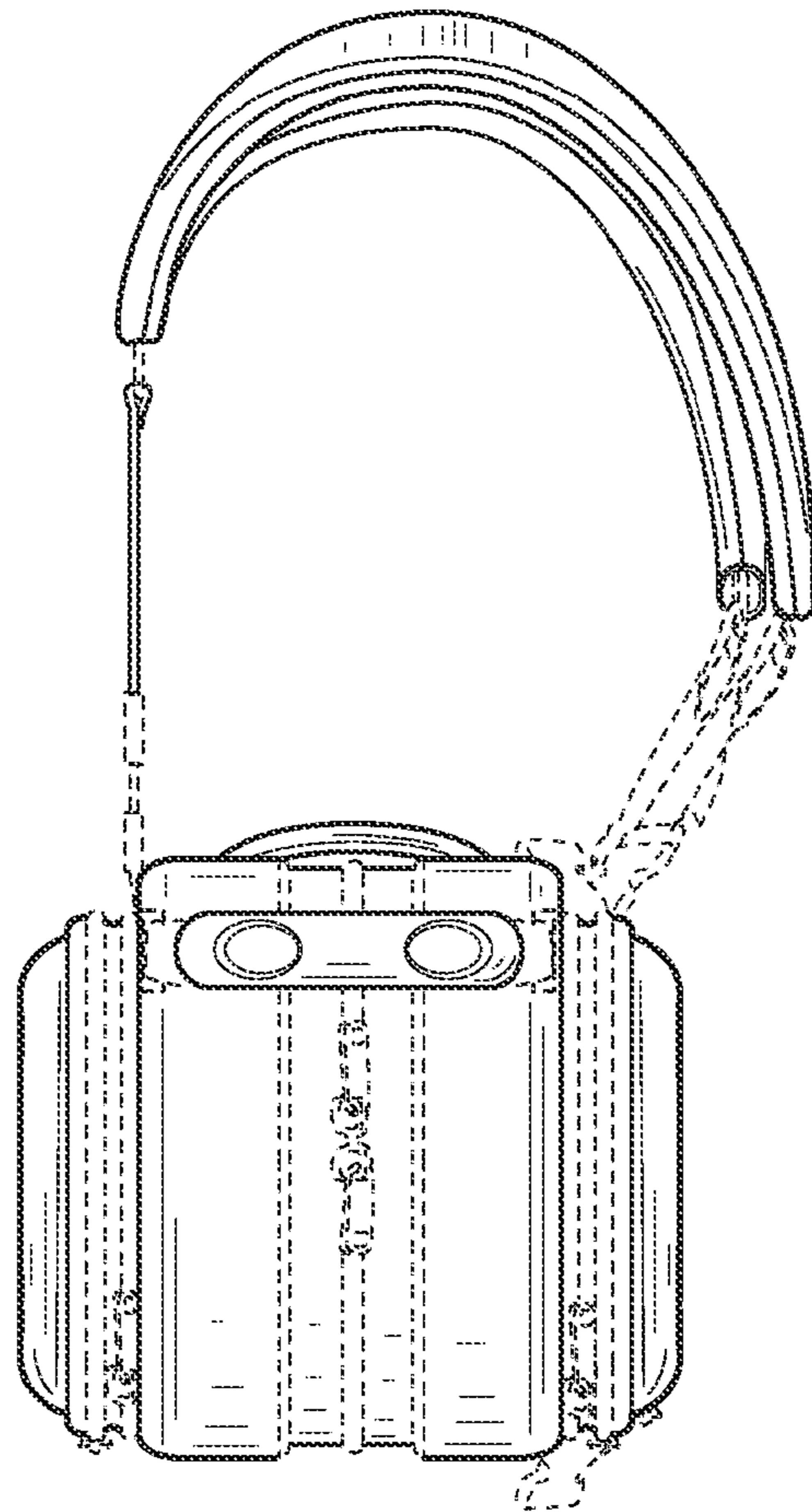


FIG. 7