



US00D635763S

(12) **United States Design Patent**  
**Fahrendorff et al.**

(10) **Patent No.:** **US D635,763 S**

(45) **Date of Patent:** **\*\* \*Apr. 12, 2011**

(54) **HANDHELD ELECTRONIC DEVICE CASE**

(75) Inventors: **Anders Fahrendorff**, Kanata (CA);  
**Andrew David Lowe**, Ottawa (CA)

(73) Assignee: **Research In Motion Limited**, Waterloo,  
Ontario (CA)

(\*) Notice: This patent is subject to a terminal disclaimer.

(\*\*) Term: **14 Years**

(21) Appl. No.: **29/360,183**

(22) Filed: **Apr. 21, 2010**

(51) **LOC (9) Cl.** ..... **03-01**

(52) **U.S. Cl.** ..... **D3/218**

(58) **Field of Classification Search** ..... D3/218,  
D3/201, 215, 219, 226, 269, 272-273, 265,  
D3/247-249; 206/305, 320; 455/90, 92,  
455/42; 379/455; 224/250, 666, 674-677,  
224/680-683, 240, 901; D14/496, 156, 138,  
D14/250

See application file for complete search history.

(56) **References Cited**

U.S. PATENT DOCUMENTS

D172,458 S *	6/1954	Baratelli .....	D3/265
D251,084 S *	2/1979	Marks .....	D3/265
D332,872 S *	2/1993	Seber .....	D3/220
D515,807 S *	2/2006	Faillace .....	D3/218
D570,102 S *	6/2008	Harris et al. ....	D3/218
D606,299 S *	12/2009	Boomhour et al. ....	D3/201

\* cited by examiner

*Primary Examiner* — Catherine R Oliver

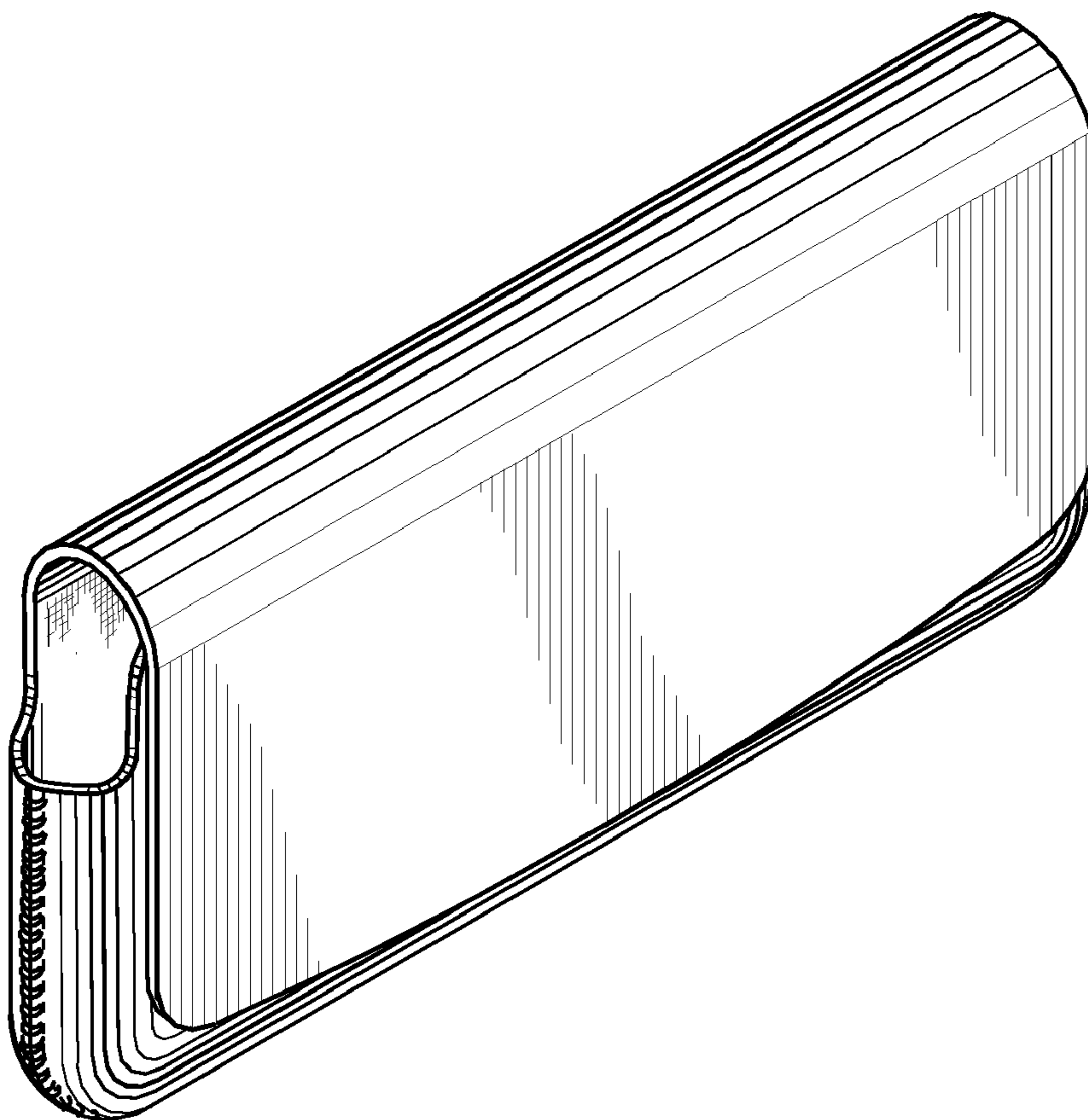
(57) **CLAIM**

We claim the ornamental design for a handheld electronic device case, as shown and described.

**DESCRIPTION**

FIG. 1 is a front perspective view of a handheld electronic device case;  
FIG. 2 is a back perspective view of the handheld electronic device case;  
FIG. 3 is a front elevation view thereof;  
FIG. 4 is a back elevation view thereof;  
FIG. 5 is a top plan view thereof; and  
FIG. 6 is a bottom plan view thereof.  
FIG. 7 is a left elevational view thereof; and,  
FIG. 8 is a right elevational view thereof.

**1 Claim, 4 Drawing Sheets**



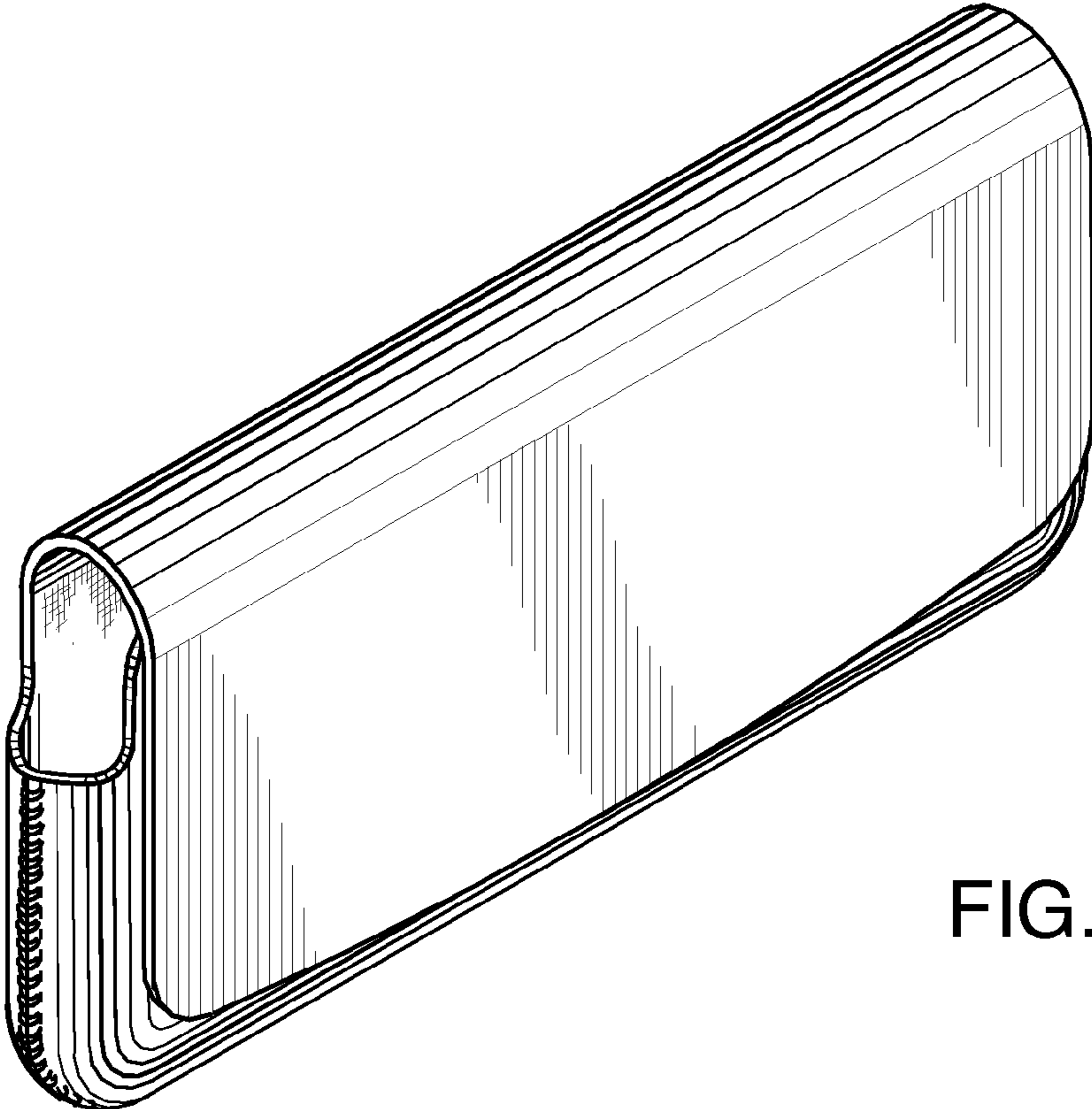


FIG. 1

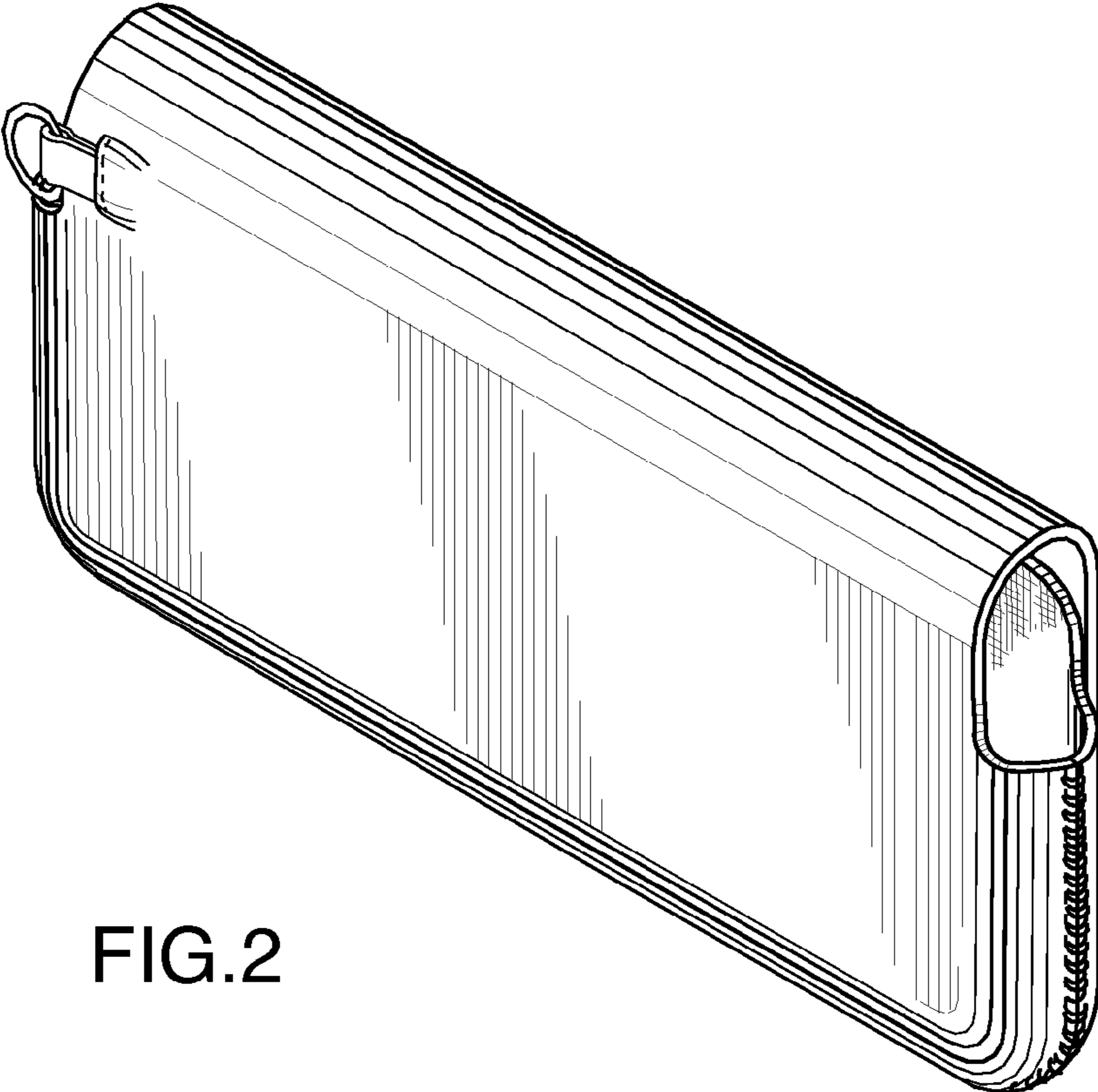


FIG. 2

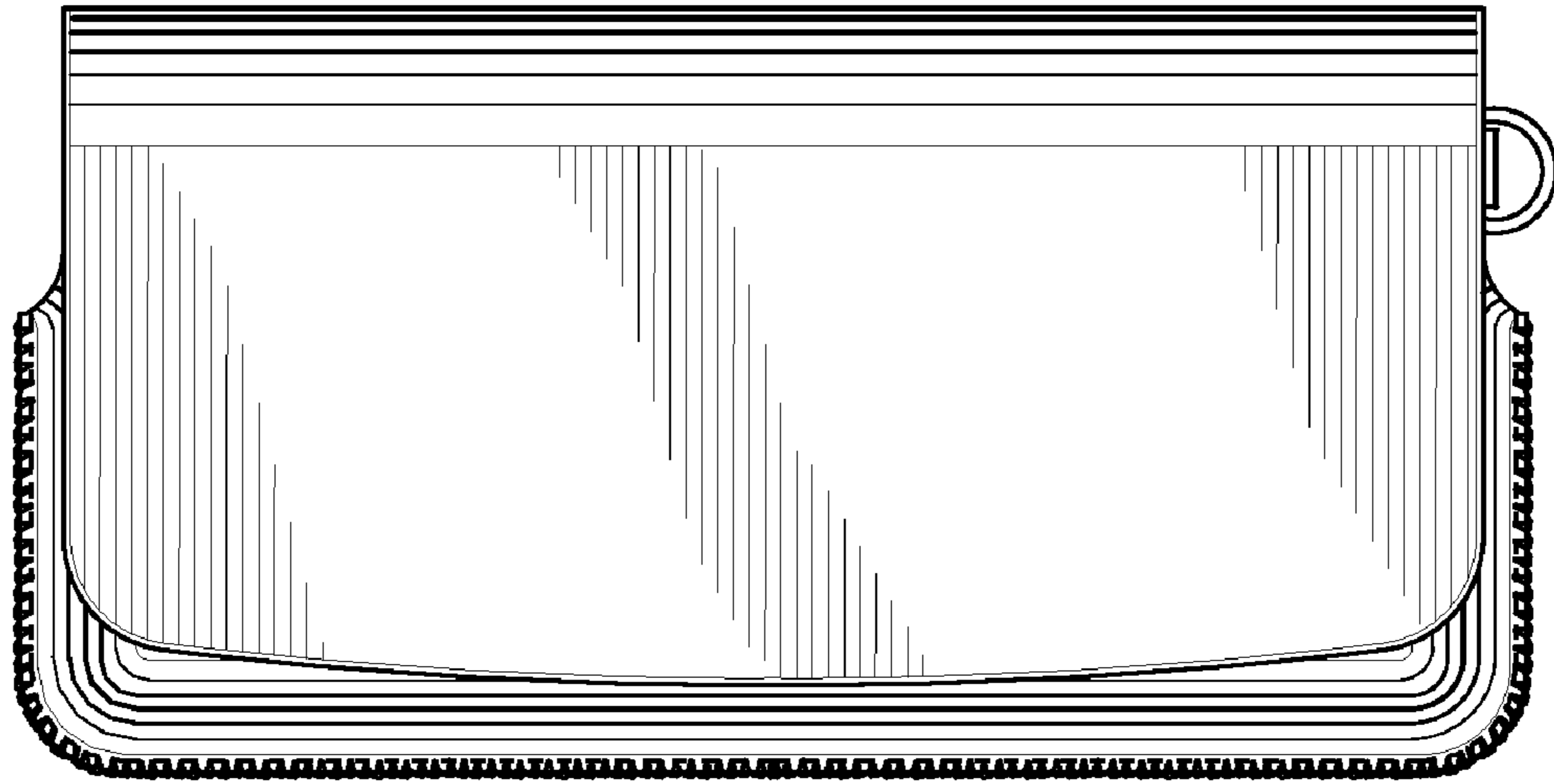


FIG.3

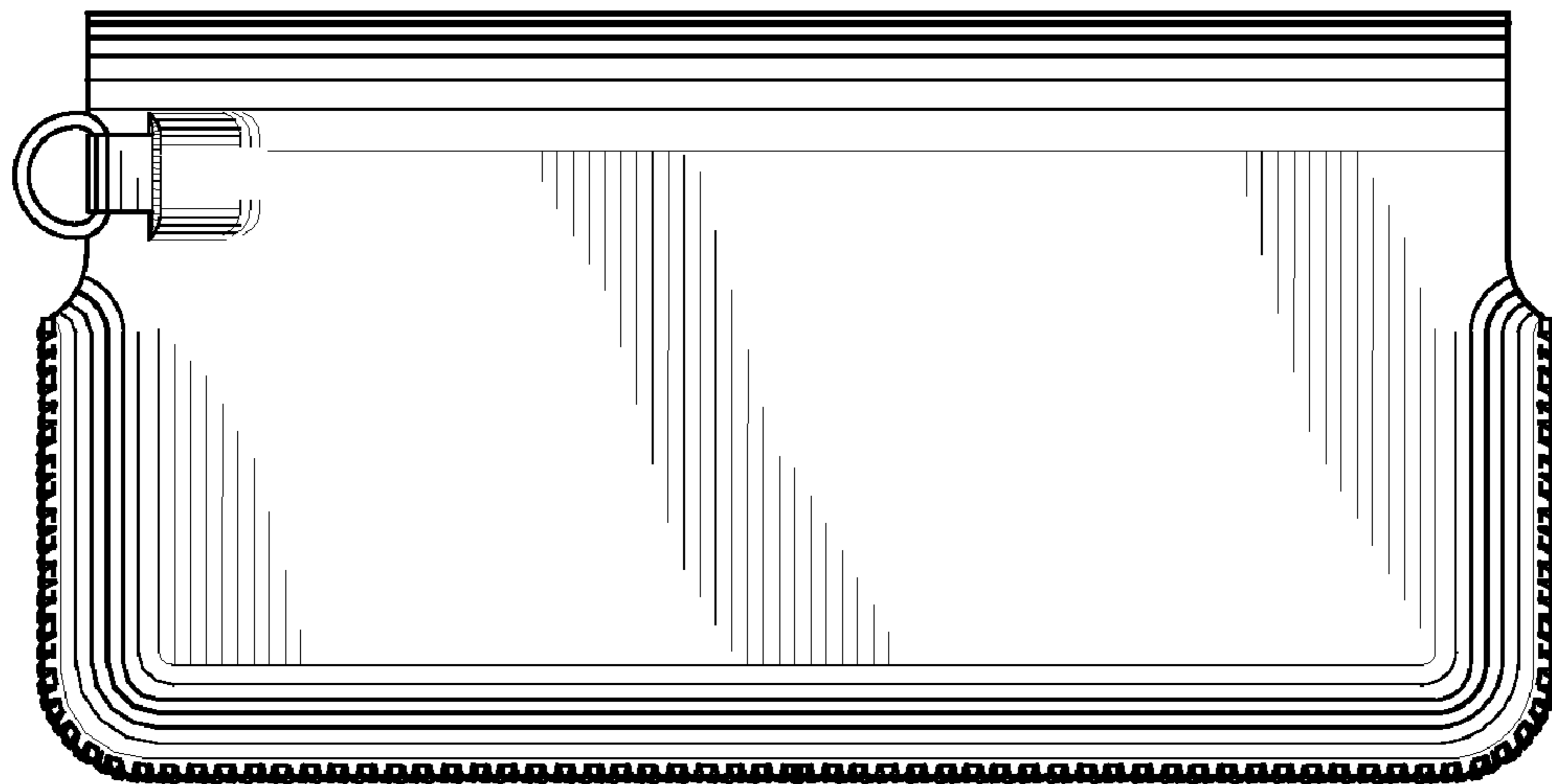


FIG.4

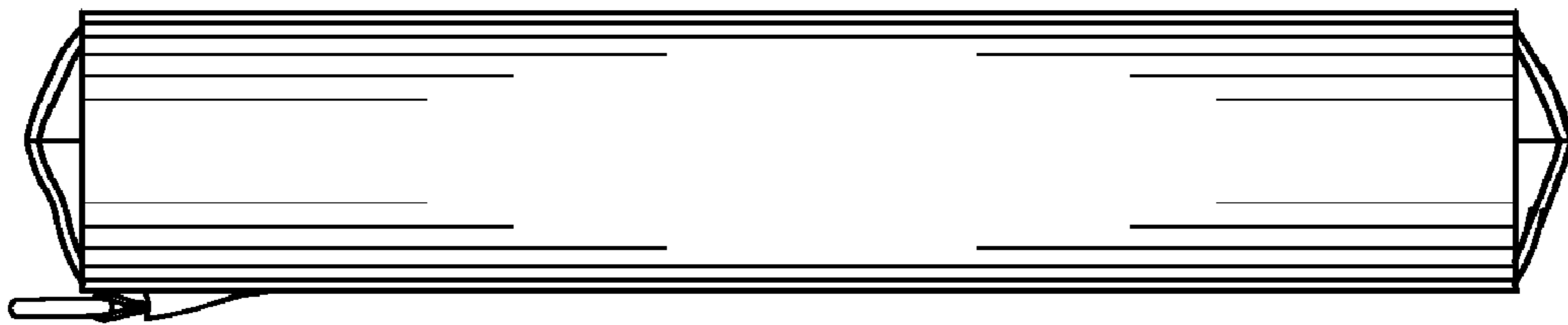


FIG. 5

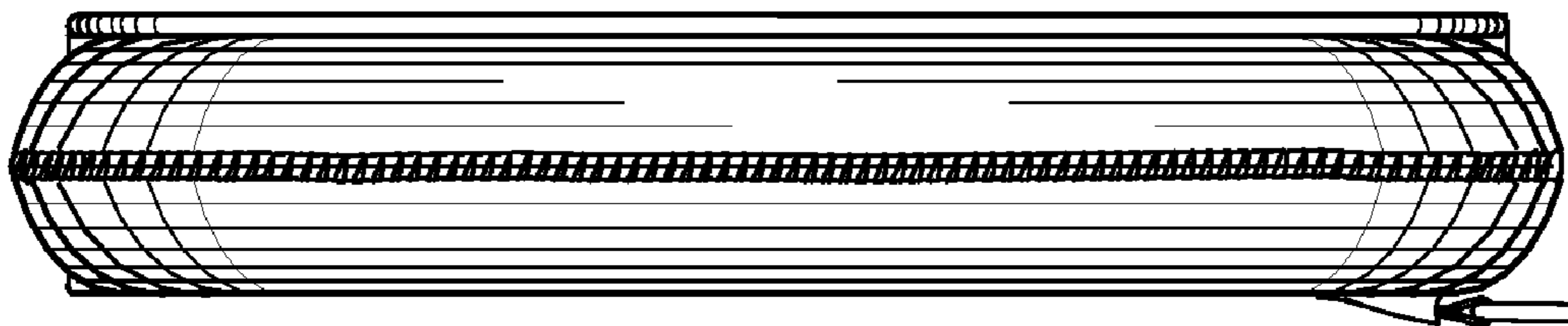


FIG. 6

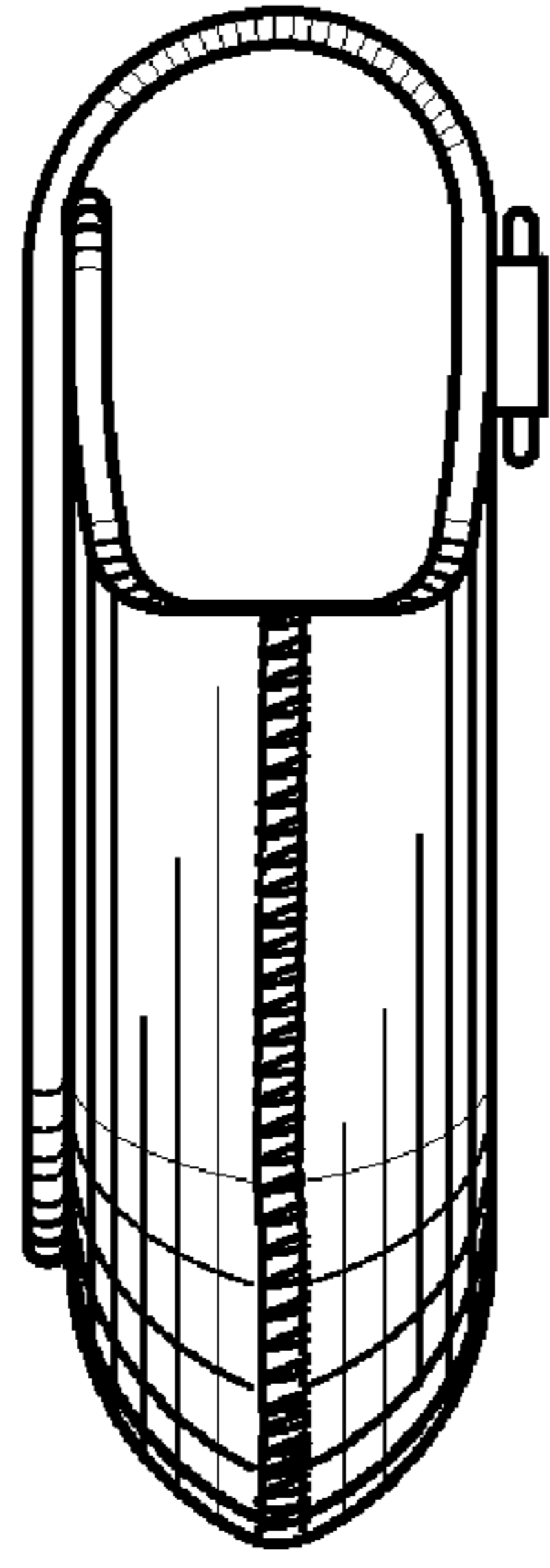


FIG. 7

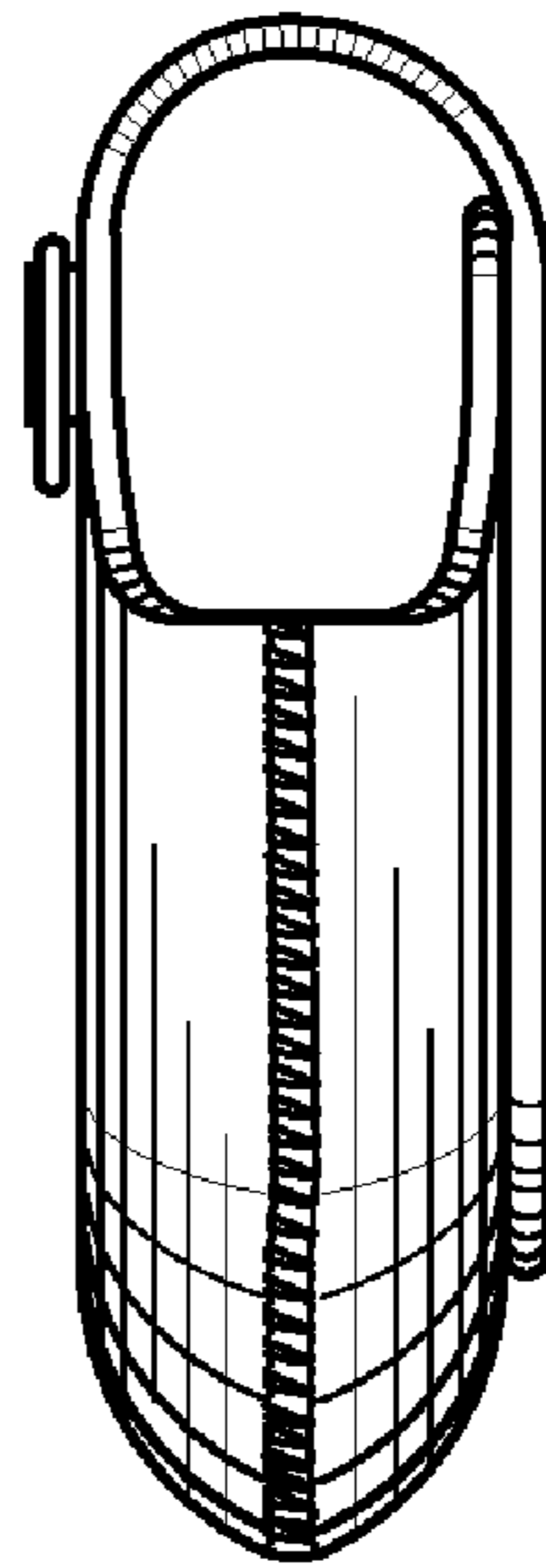


FIG. 8