



US00D635762S

(12) **United States Design Patent**
Fahim

(10) **Patent No.:** **US D635,762 S**

(45) **Date of Patent:** **** Apr. 12, 2011**

(54) **COMBINATION BACKPACK AND WORKSTATION**

(76) Inventor: **Mohammad Fahim**, London (GB)

(**) Term: **14 Years**

(21) Appl. No.: **29/331,184**

(22) Filed: **Jan. 21, 2009**

(51) **LOC (9) Cl.** **03-01**

(52) **U.S. Cl.** **D3/217**

(58) **Field of Classification Search** D2/830;
D3/214, 215, 216, 217, 238, 270; 224/153,
224/577, 578, 651, 653, 637; 206/292, 294,
206/315.1

See application file for complete search history.

(56) **References Cited**

U.S. PATENT DOCUMENTS

135,254	A *	1/1873	Wallis	224/629
1,232,089	A	7/1917	Riebe		
2,481,107	A	9/1949	Gore		
4,715,293	A	12/1987	Cobbs		
4,790,431	A *	12/1988	Reel et al.	312/223.2
5,217,119	A *	6/1993	Hollingsworth	206/583
5,242,056	A *	9/1993	Zia et al.	206/576
D346,310	S	4/1994	Schlesier et al.		
5,421,499	A	6/1995	Bauer		
5,445,266	A *	8/1995	Prete et al.	206/320
5,484,991	A *	1/1996	Sherman et al.	235/472.01
5,524,754	A *	6/1996	Hollingsworth	206/320
5,552,957	A *	9/1996	Brown et al.	361/679.41
5,566,797	A *	10/1996	Van Himbeeck	190/18 A
5,576,929	A *	11/1996	Uchiyama et al.	361/679.58
5,607,054	A *	3/1997	Hollingsworth	206/320
D380,612	S *	7/1997	Kelley et al.	D3/289
D383,605	S *	9/1997	Usuriello	D3/284
5,680,914	A *	10/1997	Reiser	190/11
5,682,993	A *	11/1997	Song	206/320
5,706,992	A *	1/1998	Moor	224/657
5,717,567	A *	2/1998	Tao	361/679.45
5,724,225	A *	3/1998	Hrusoff et al.	361/679.55
5,762,250	A	6/1998	Carlton et al.		
5,764,475	A *	6/1998	LeVander	361/679.55
5,887,777	A *	3/1999	Myles et al.	224/578

5,927,575	A *	7/1999	Gatling	224/153
5,938,096	A *	8/1999	Sauer et al.	224/625
D414,751	S *	10/1999	Yogalingam	D14/335
5,971,148	A *	10/1999	Jackson	206/320
6,000,509	A *	12/1999	Chisholm	190/109
6,105,763	A *	8/2000	Saetia	206/320

(Continued)

Primary Examiner — Celia A Murphy

Assistant Examiner — Michael A Pratt

(57) **CLAIM**

The ornamental design for a combination backpack and workstation, as shown and described.

DESCRIPTION

FIG. 1 is a perspective view with the base open and the platforms tucked under flap of a combination backpack and workstation, showing my new design;

FIG. 2 is a side view thereof, with the base open;

FIG. 3 is an opposite side view thereof, with the base open;

FIG. 4 is a back view thereof, wherein the broken-away areas on the two straps represent the straps have a longer length than what is shown;

FIG. 5 is a front view thereof, with the base open;

FIG. 6 is a top view thereof, with the base open;

FIG. 7 is a bottom view thereof, with the base open;

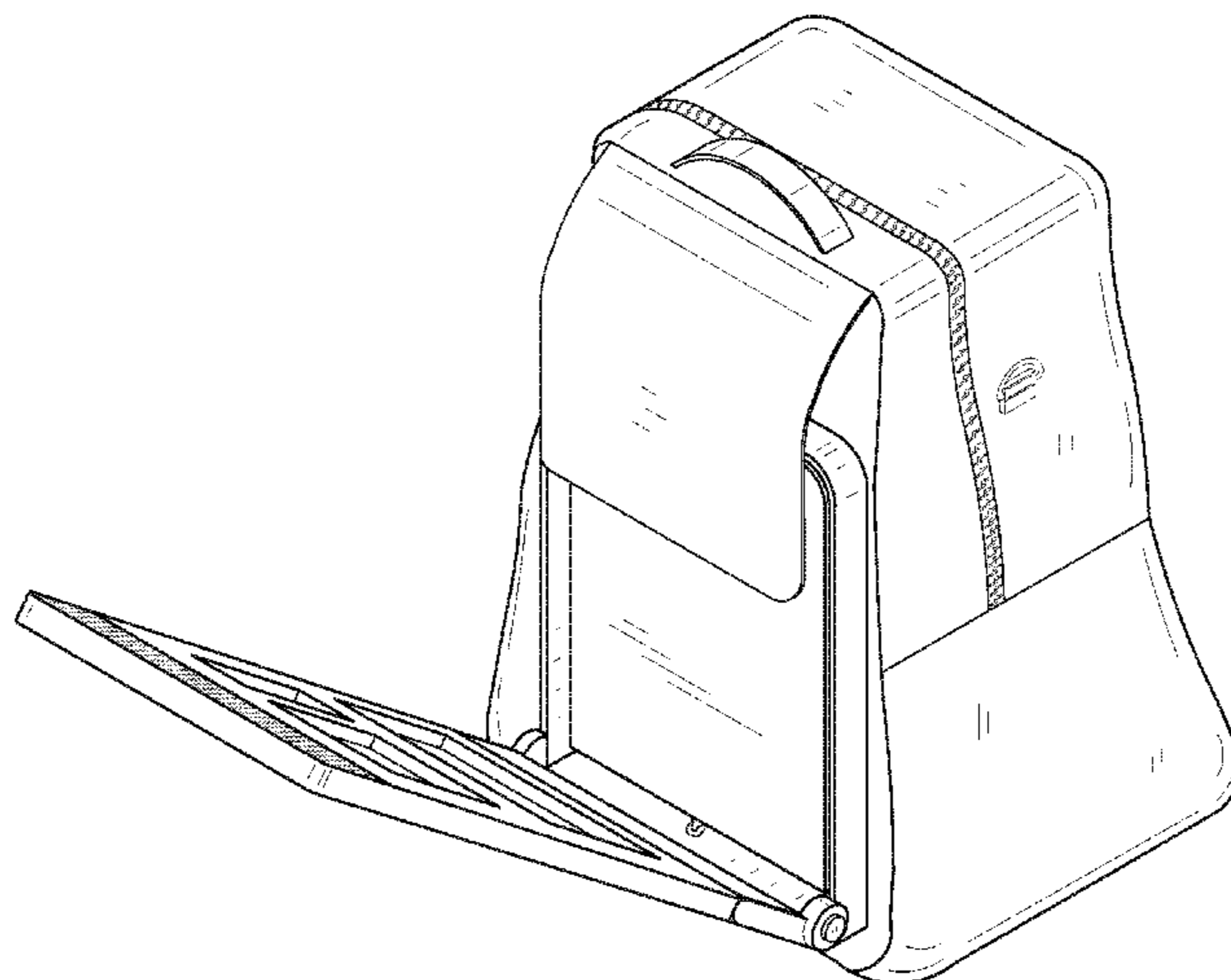
FIG. 8 is another perspective view thereof, with the platform tucked; and

FIG. 9 is a top view thereof, with the platforms released; and, FIG. 10 is a side view thereof, with the base open.

In FIGS. 3, 4, and 6, the broken lines showing as an alternate strap for carrying the combination backpack and workstation are shown for purposes of illustrating the device in a condition of use. These broken lines and the structure they depict form no part of the claimed design.

In FIGS. 1, 3, 6, 8 and 9, and 10 the broken lines showing of environmental structure for purposes of illustrating the combination backpack and workstation in a condition of use. The broken lines and the structure they depict form no part of the claimed design.

1 Claim, 7 Drawing Sheets



US D635,762 S

Page 2

U.S. PATENT DOCUMENTS

6,106,016	A	8/2000	Bette				
6,145,661	A *	11/2000	Jung	206/320			
D441,190	S *	5/2001	Eskandry	D3/289			
6,230,952	B1 *	5/2001	Jupiter	224/655			
6,244,481	B1 *	6/2001	Brougher	224/153			
6,269,948	B1 *	8/2001	Jackson	206/320			
6,305,587	B1 *	10/2001	Miller	224/153			
6,390,297	B1 *	5/2002	Hollingsworth	206/320			
6,595,334	B1 *	7/2003	Saetia	190/18 A			
6,597,568	B2 *	7/2003	Ryder		361/679.55		
D483,961	S	12/2003	Hasz				
6,655,565	B2 *	12/2003	Godshaw et al.	224/653			
D503,279	S *	3/2005	Smith	D3/283			
7,048,163	B2 *	5/2006	Albert et al.	224/275			
7,191,926	B1 *	3/2007	Costantino et al.	224/605			
7,280,355	B2 *	10/2007	Taylor	361/679.48			
2002/0027767	A1 *	3/2002	Ryder		361/683		

* cited by examiner

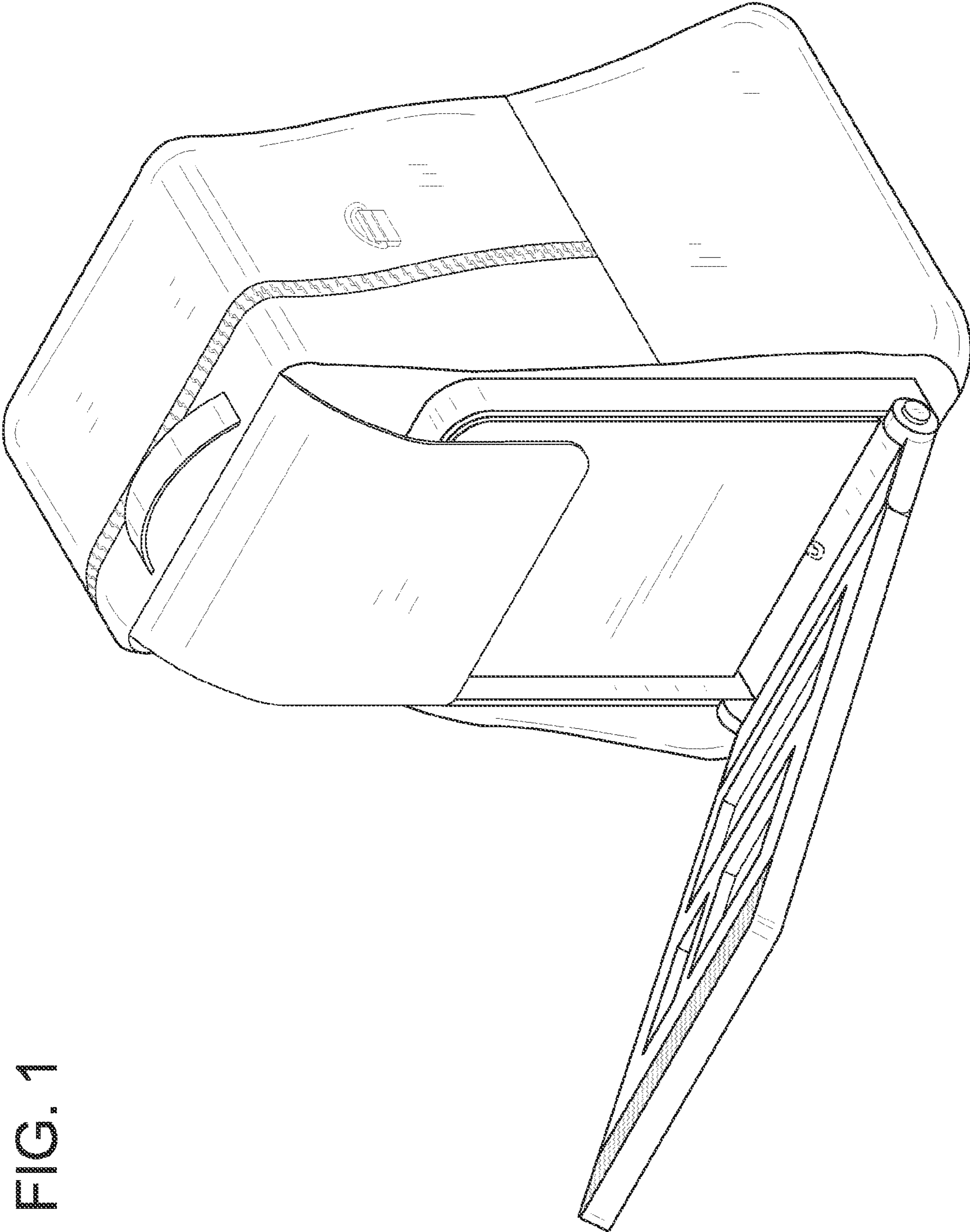


FIG. 1

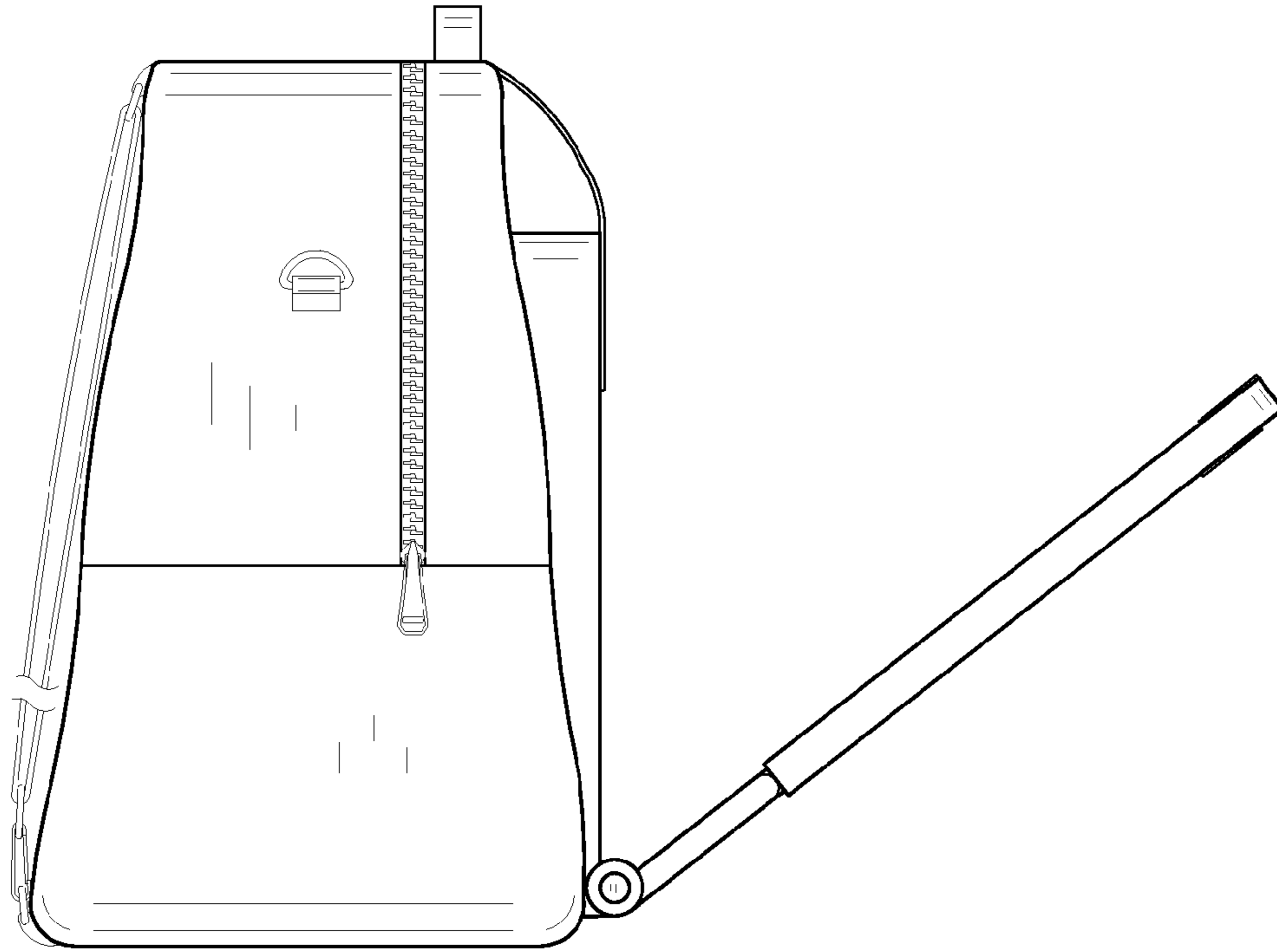


FIG. 2

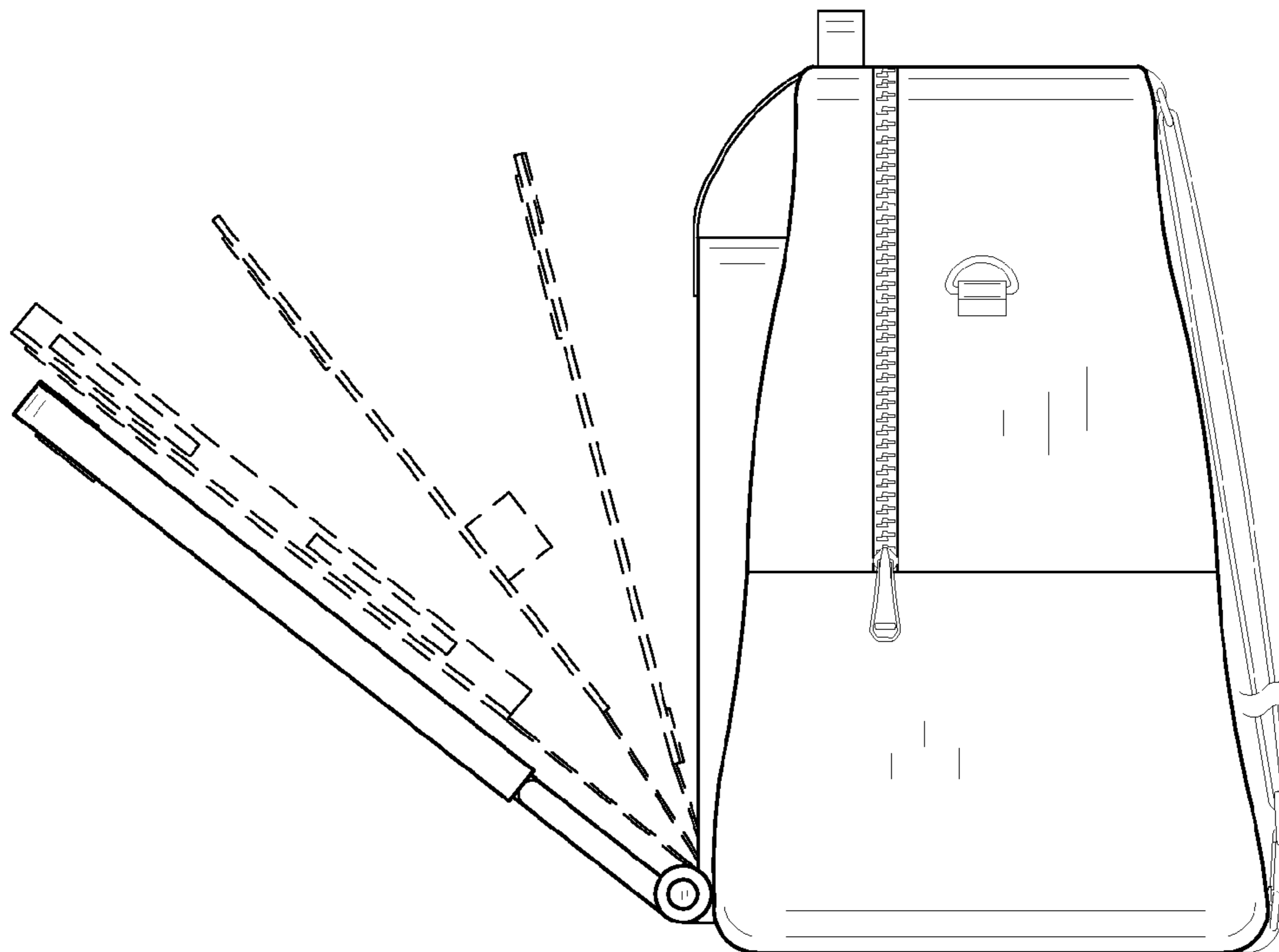


FIG. 3

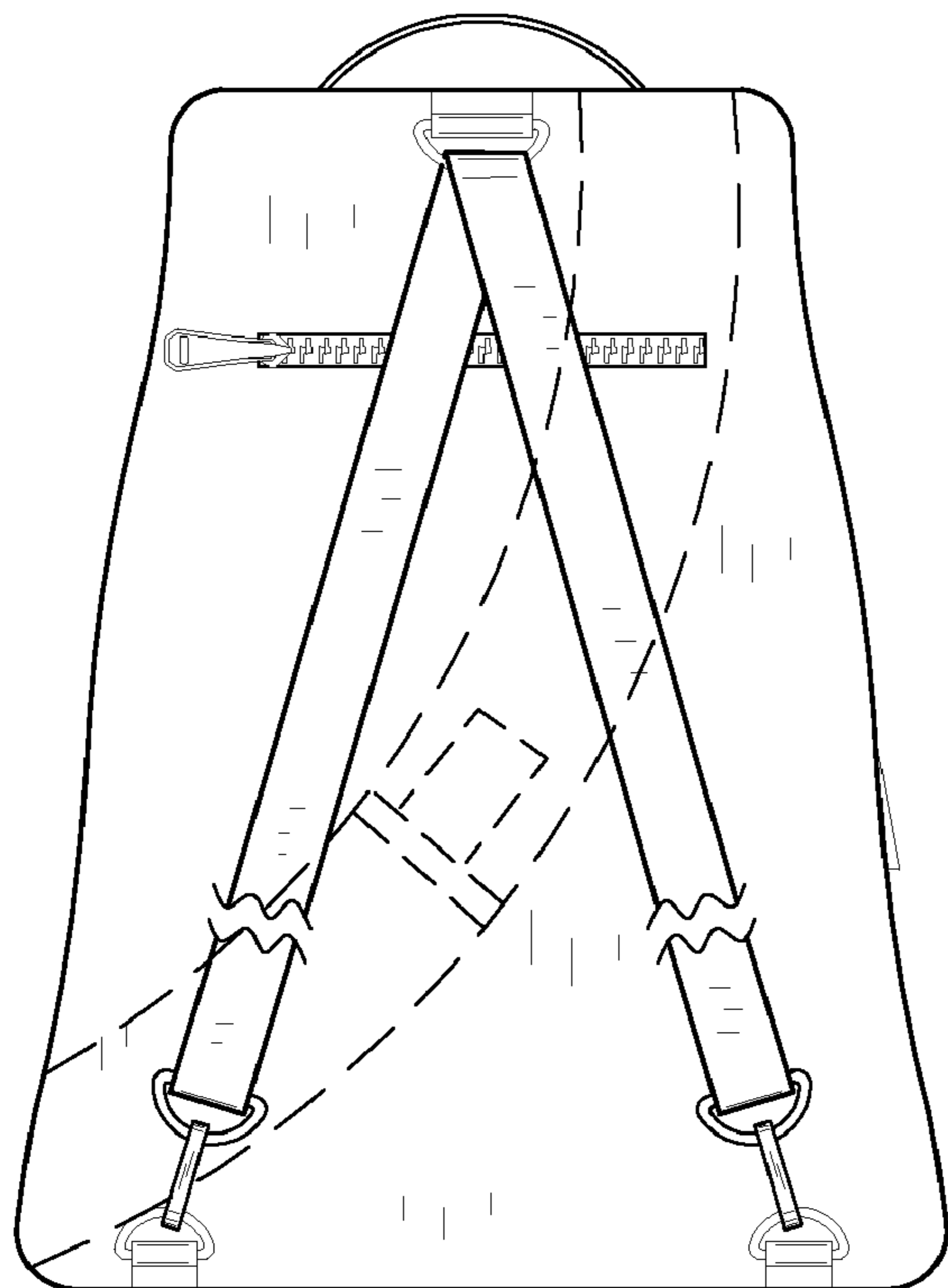


FIG. 4

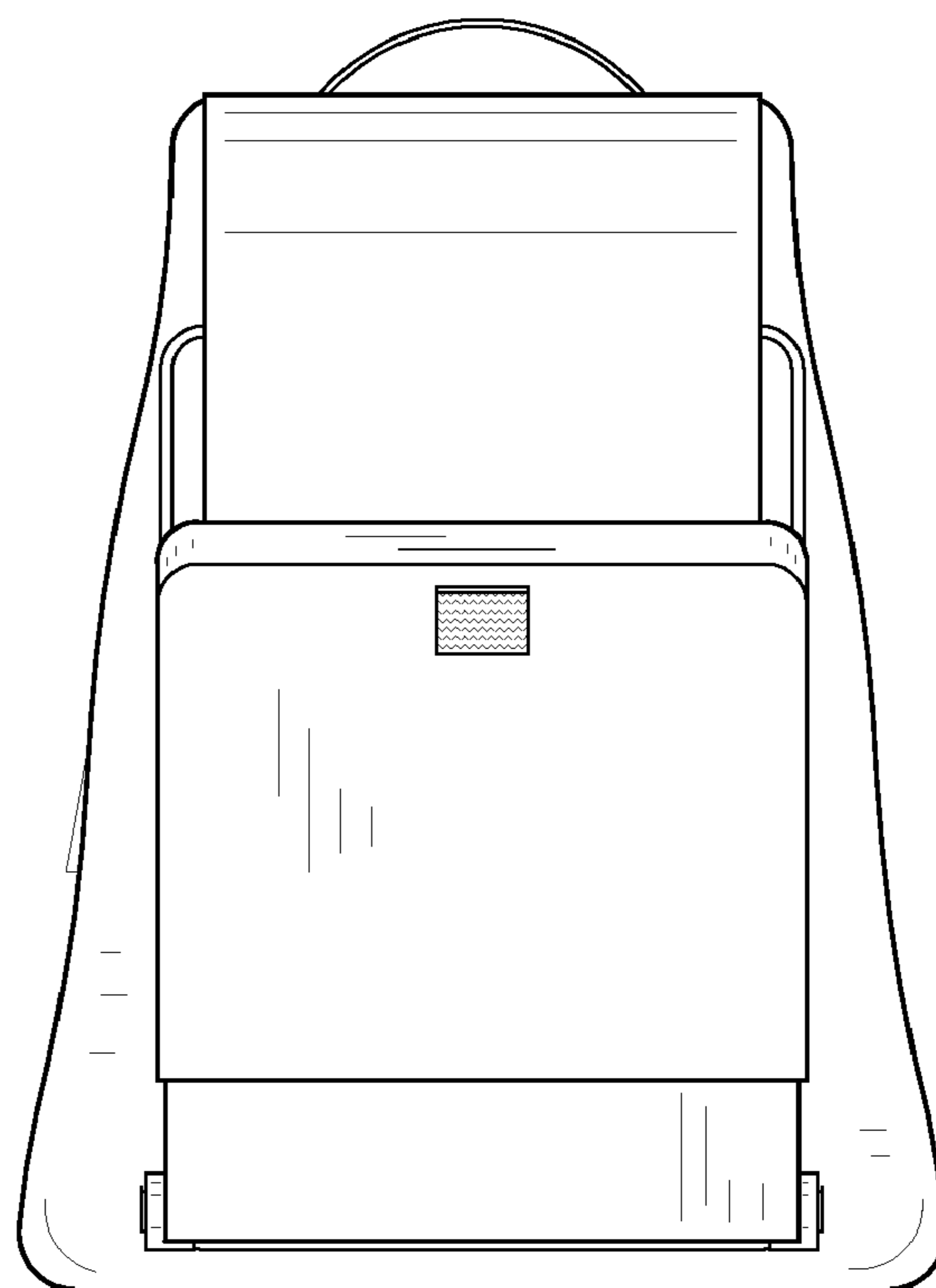


FIG. 5

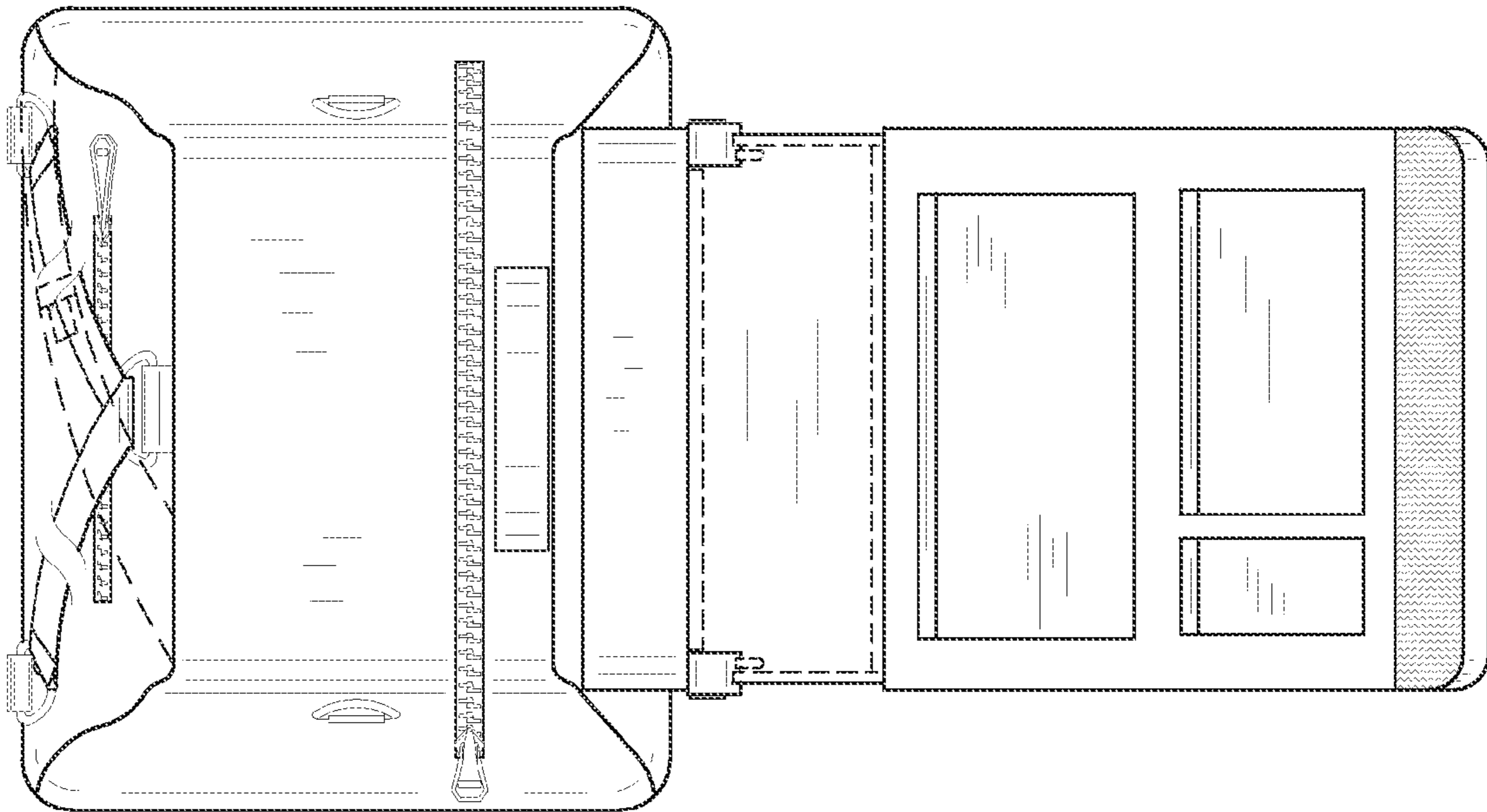


FIG. 6

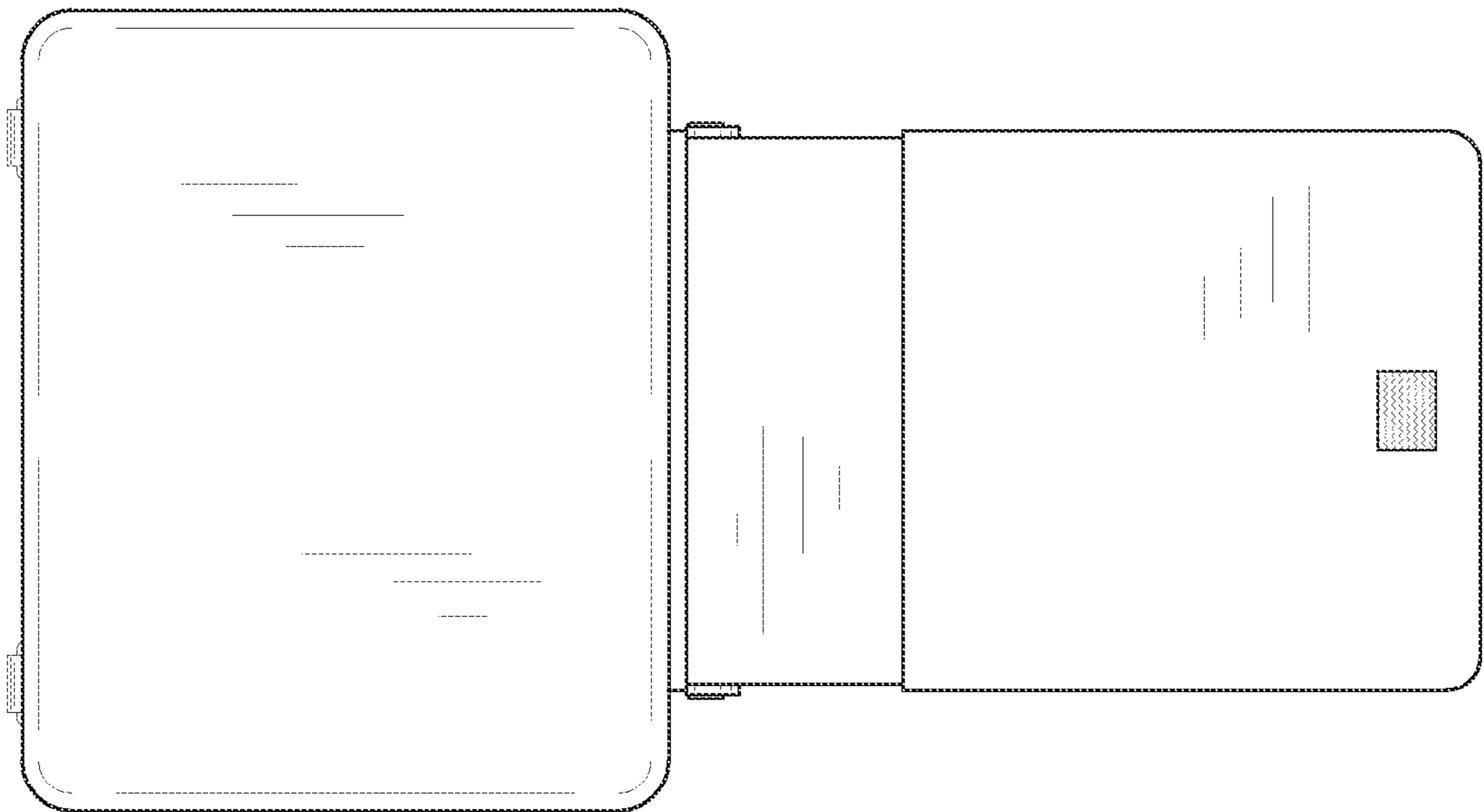


FIG. 7

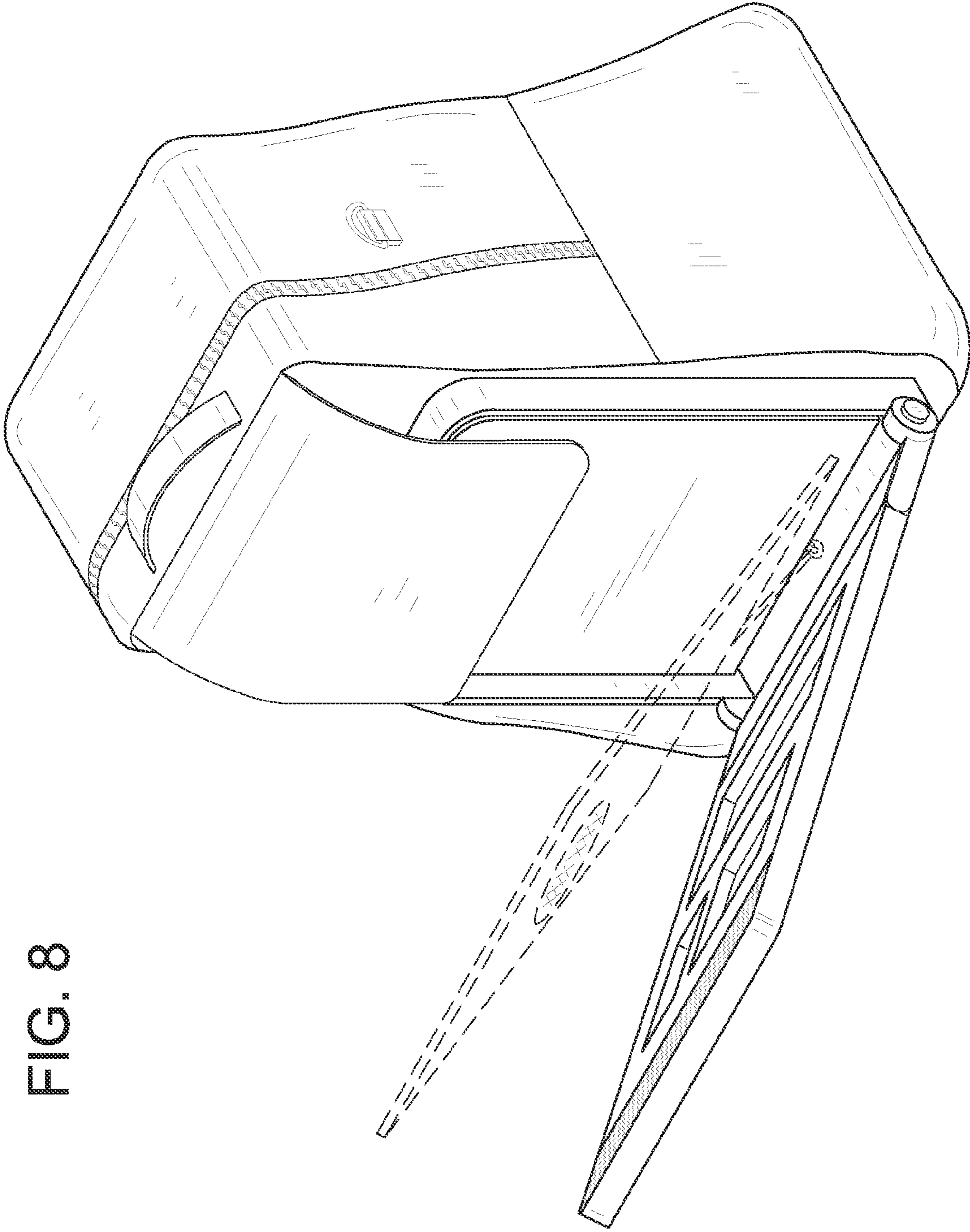


FIG. 8

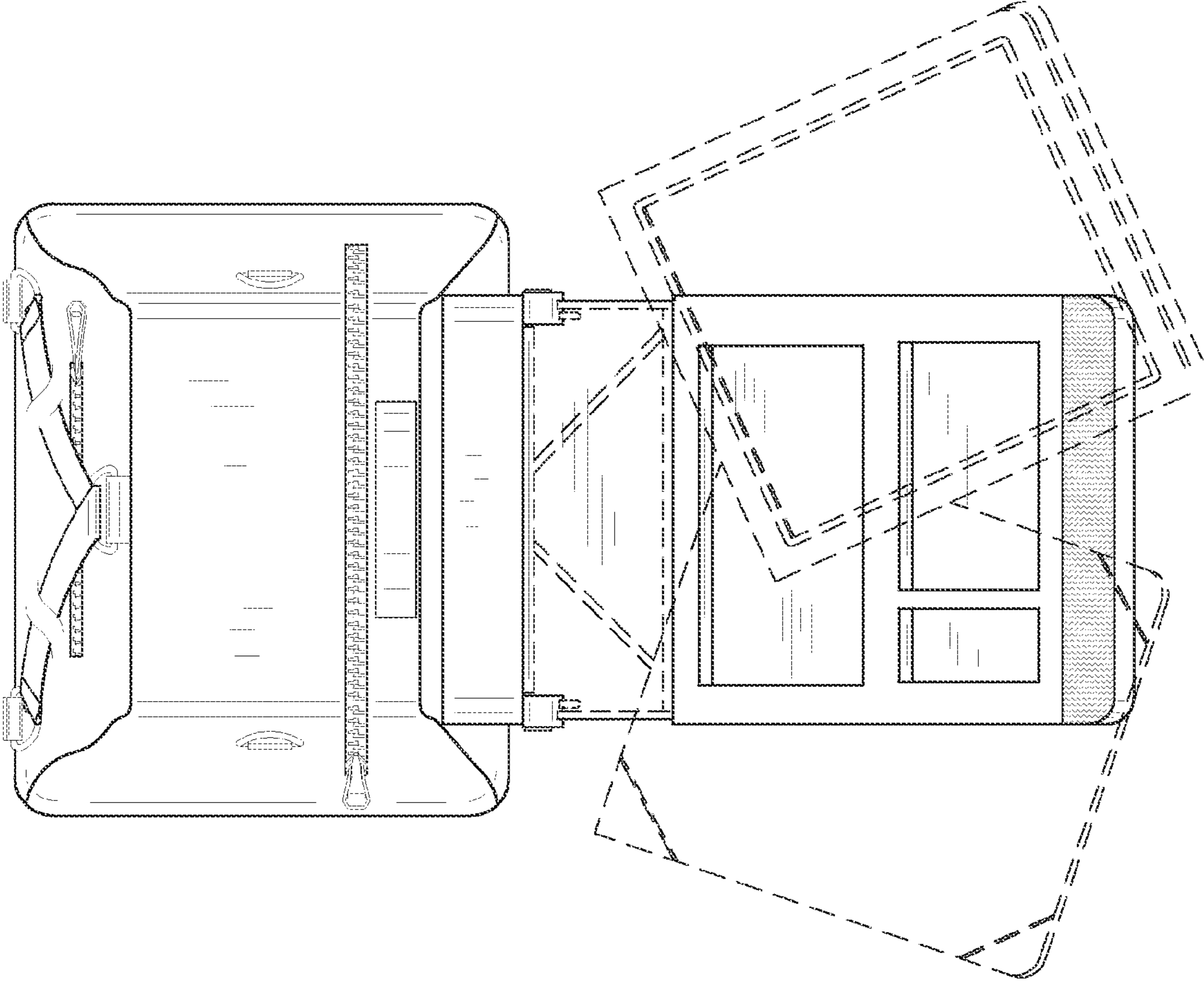


FIG. 9

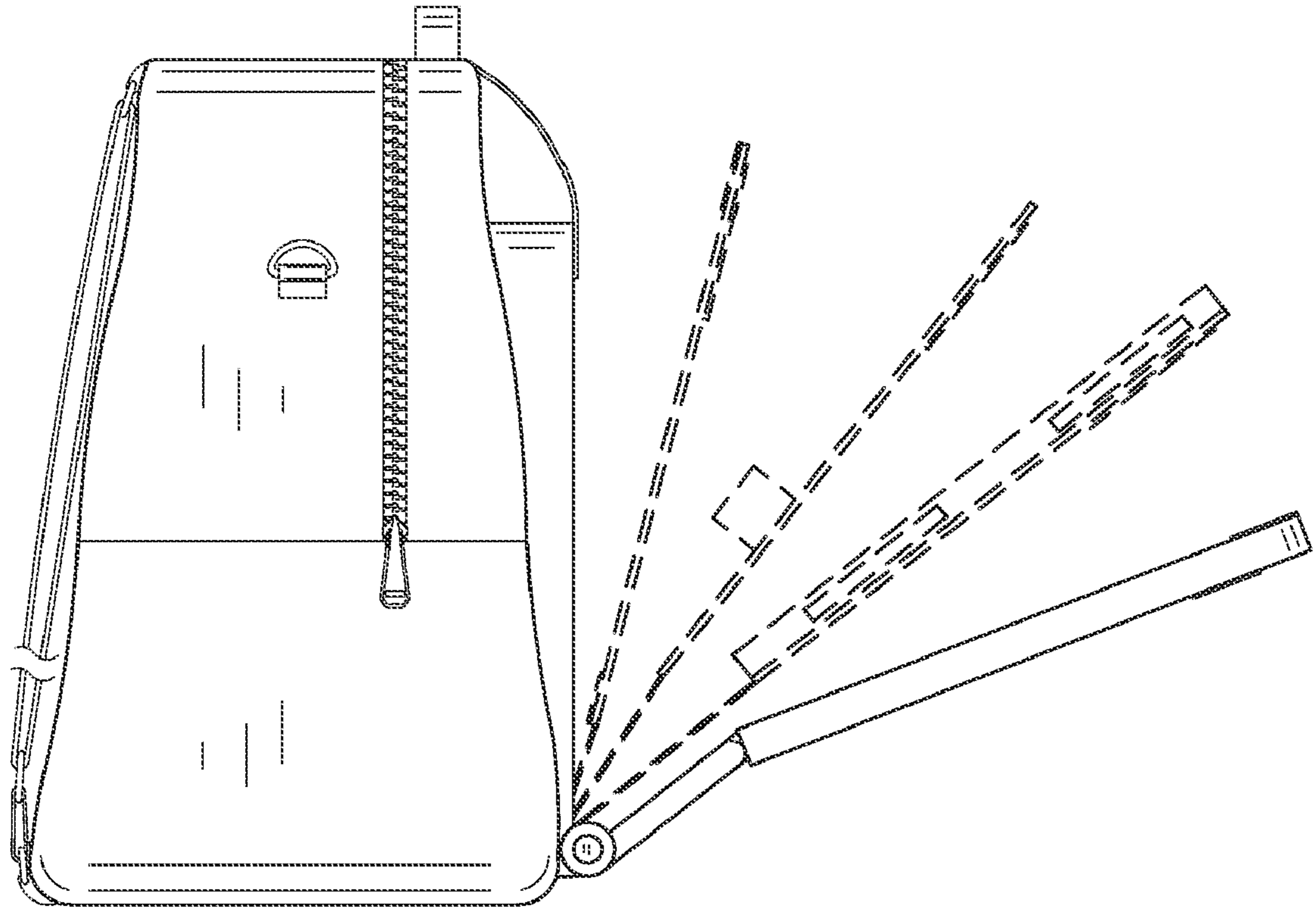


FIG. 10