



US00D635761S

(12) **United States Design Patent**
Hedaya

(10) **Patent No.:** **US D635,761 S**
(45) **Date of Patent:** **** Apr. 12, 2011**

(54) **BACKPACK**

(75) Inventor: **Evan Hedaya**, Brooklyn, NY (US)

(73) Assignee: **Fast Forward LLC**, New York, NY (US)

(**) Term: **14 Years**

(21) Appl. No.: **29/370,463**

(22) Filed: **Jul. 19, 2010**

Related U.S. Application Data

(62) Division of application No. 29/313,118, filed on Dec. 9, 2008, now Pat. No. Des. 619,802.

(51) **LOC (9) Cl.** **03-01**

(52) **U.S. Cl.** **D3/216; D3/217**

(58) **Field of Classification Search** **D2/830;**
D3/214, 215, 216, 217, 270; 224/153, 577,
224/578, 407; 128/202.22, 205.22
See application file for complete search history.

(56) **References Cited**

U.S. PATENT DOCUMENTS

| | | |
|--------------|---------|-------------------|
| D260,698 S | 9/1981 | Fitzgerald et al. |
| D348,151 S | 6/1994 | Acheson |
| D350,228 S | 9/1994 | Poire |
| 5,370,287 A | 12/1994 | Cormier |
| D355,758 S | 2/1995 | Poire |
| D360,072 S | 7/1995 | Poire |
| 5,632,429 A | 5/1997 | Cantwell |
| 5,676,293 A | 10/1997 | Farris |
| D405,850 S | 2/1999 | Witkin |
| 5,878,931 A | 3/1999 | Morphet |
| D425,697 S | 5/2000 | Chapman |
| D433,800 S | 11/2000 | Chapman |
| 6,167,569 B1 | 1/2001 | Conner, IV |
| D438,700 S | 3/2001 | Willingham et al. |
| D438,712 S | 3/2001 | Chapman |
| D448,922 S | 10/2001 | Willingham et al. |
| D448,923 S | 10/2001 | Willingham et al. |
| D450,447 S | 11/2001 | Willingham et al. |
| 6,364,186 B1 | 4/2002 | Gilmour et al. |
| 6,510,974 B2 | 1/2003 | Willingham et al. |
| D471,353 S | 3/2003 | Ho |

| | | |
|-----------------|---------|--------------------|
| D482,924 S | 12/2003 | Fung |
| D486,421 S | 2/2004 | Weiser et al. |
| 6,769,585 B2 | 8/2004 | Santaniello et al. |
| 6,843,398 B2 | 1/2005 | Zion |
| D512,137 S | 11/2005 | Chen |
| D527,511 S | 9/2006 | Bourget |
| D581,195 S | 11/2008 | Wen |
| D606,596 S | 12/2009 | Kruger |
| D611,680 S | 3/2010 | Thomas |
| D611,699 S * | 3/2010 | Lundh D3/214 |
| D616,196 S * | 5/2010 | Walsh D3/217 |
| 2002/0166881 A1 | 11/2002 | Willingham et al. |
| 2002/0190952 A1 | 12/2002 | Shah |
| 2008/0010848 A1 | 1/2008 | Miles |
| 2009/0091921 A1 | 4/2009 | Yang |
| 2009/0139099 A1 | 6/2009 | Norman |
| 2010/0078457 A1 | 4/2010 | Pitchford et al. |

* cited by examiner

Primary Examiner — T. Chase Nelson

(74) *Attorney, Agent, or Firm* — Ostrolenk Faber LLP

(57) **CLAIM**

The ornamental design for a backpack, as shown and described.

DESCRIPTION

FIG. 1 is a perspective view of a backpack showing my new design in accordance with a first embodiment;
 FIG. 2 is a rear elevational view of the backpack in accordance with the first embodiment;
 FIG. 3 is a front elevational view of the backpack in accordance with the first embodiment;
 FIG. 4 is a left side view of the backpack in accordance with the first embodiment;
 FIG. 5 is a right side view of the backpack in accordance with the first embodiment;
 FIG. 6 is a top plan view of the backpack in accordance with the first embodiment;
 FIG. 7 is a bottom plan view of the backpack in accordance with the first embodiment;
 FIG. 8 is a perspective view of the backpack in accordance with a second embodiment;
 FIG. 9 is a rear elevational view of the backpack in accordance with the second embodiment;

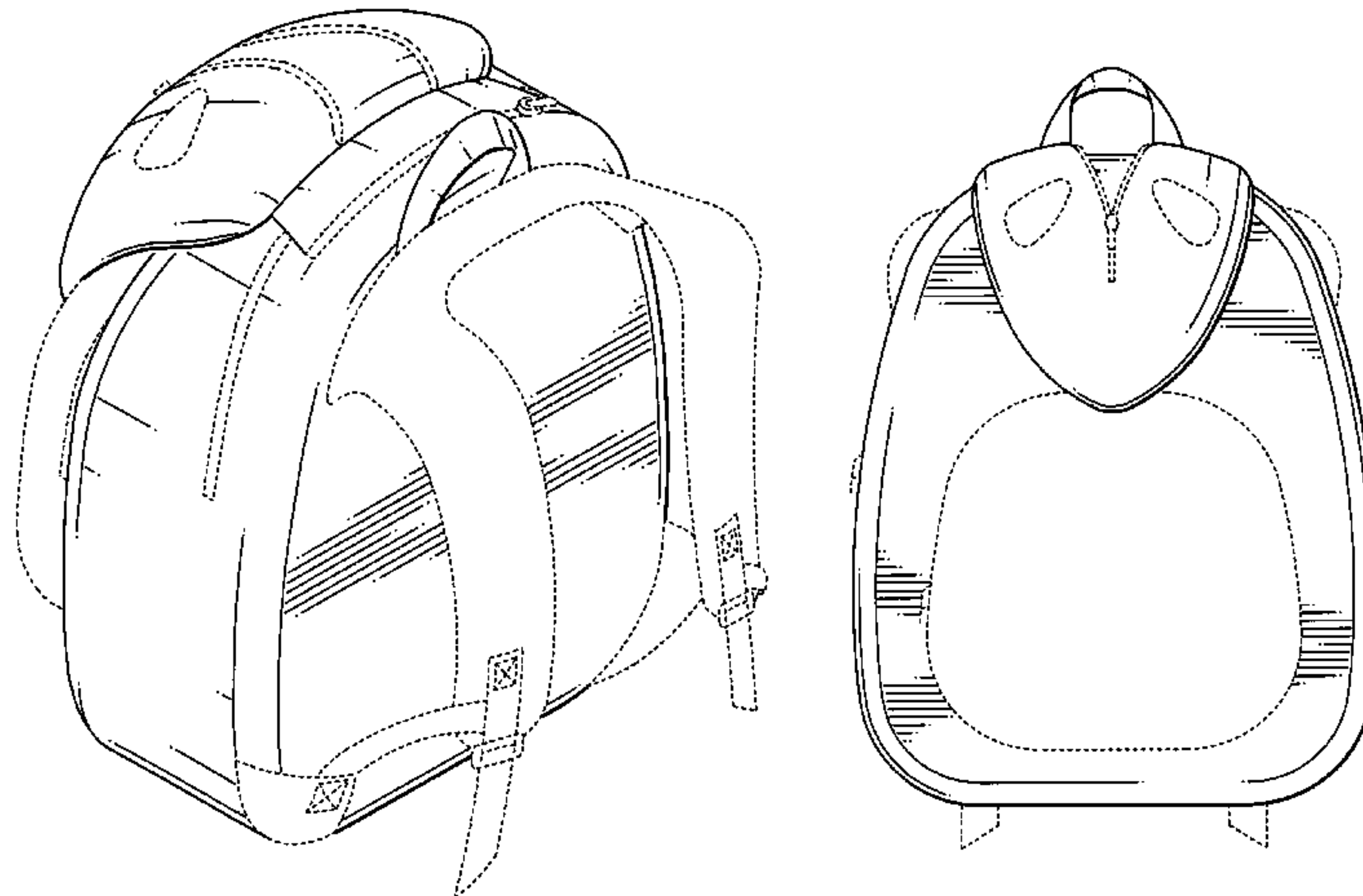


FIG. 10 is a front elevational view of the backpack in accordance with the second embodiment;
FIG. 11 is a left side view of the backpack in accordance with the second embodiment;
FIG. 12 is a right side view of the backpack in accordance with the second embodiment;
FIG. 13 is a top plan view of the backpack in accordance with the second embodiment;
FIG. 14 is a bottom plan view of the backpack in accordance with the second embodiment;
FIG. 15 is a perspective view of the backpack in accordance with a third embodiment;
FIG. 16 is a rear elevational view of the backpack in accordance with the third embodiment;
FIG. 17 is a front elevational view of the backpack in accordance with the third embodiment;
FIG. 18 is a left side view of the backpack in accordance with the third embodiment;
FIG. 19 is a right side view of the backpack in accordance with the third embodiment;
FIG. 20 is a top plan view of the backpack in accordance with the third embodiment;
FIG. 21 is a bottom plan view of the backpack in accordance with the third embodiment;
FIG. 22 is a perspective view of the backpack in accordance with a fourth embodiment;
FIG. 23 is a rear elevational view of the backpack in accordance with the fourth embodiment;
FIG. 24 is a front elevational view of the backpack in accordance with the fourth embodiment;
FIG. 25 is a left side view of the backpack in accordance with the fourth embodiment;
FIG. 26 is a right side view of the backpack in accordance with the fourth embodiment;
FIG. 27 is a top plan view of the backpack in accordance with the fourth embodiment;
FIG. 28 is a bottom plan view of the backpack in accordance with the fourth embodiment;

FIG. 29 is a perspective view of the backpack in accordance with a fifth embodiment;
FIG. 30 is a rear elevational view of the backpack in accordance with the fifth embodiment;
FIG. 31 is a front elevational view of the backpack in accordance with the fifth embodiment;
FIG. 32 is a left side view of the backpack in accordance with the fifth embodiment;
FIG. 33 is a right side view of the backpack in accordance with the fifth embodiment;
FIG. 34 is a top plan view of the backpack in accordance with the fifth embodiment;
FIG. 35 is a bottom plan view of the backpack in accordance with the fifth embodiment;
FIG. 36 is a perspective view of the backpack in accordance with an sixth embodiment;
FIG. 37 is a rear elevational view of the backpack in accordance with the sixth embodiment;
FIG. 38 is a front elevational view of the backpack in accordance with the sixth embodiment;
FIG. 39 is a left side view of the backpack in accordance with the sixth embodiment;
FIG. 40 is a right side view of the backpack in accordance with the sixth embodiment;
FIG. 41 is a top plan view of the backpack in accordance with the sixth embodiment; and,
FIG. 42 is a bottom plan view of the backpack in accordance with the sixth embodiment.

The portions of the backpack illustrated in broken lines form no part of the claim. The broken lines illustrating three substantially oval markings on the top front surface of the backpack along with the outermost broken lines illustrating a pocket-like portion on the front surface, form the boundaries of the claimed design; with the broken lines and the areas within them forming no part of the claim.

1 Claim, 36 Drawing Sheets



FIG. 1

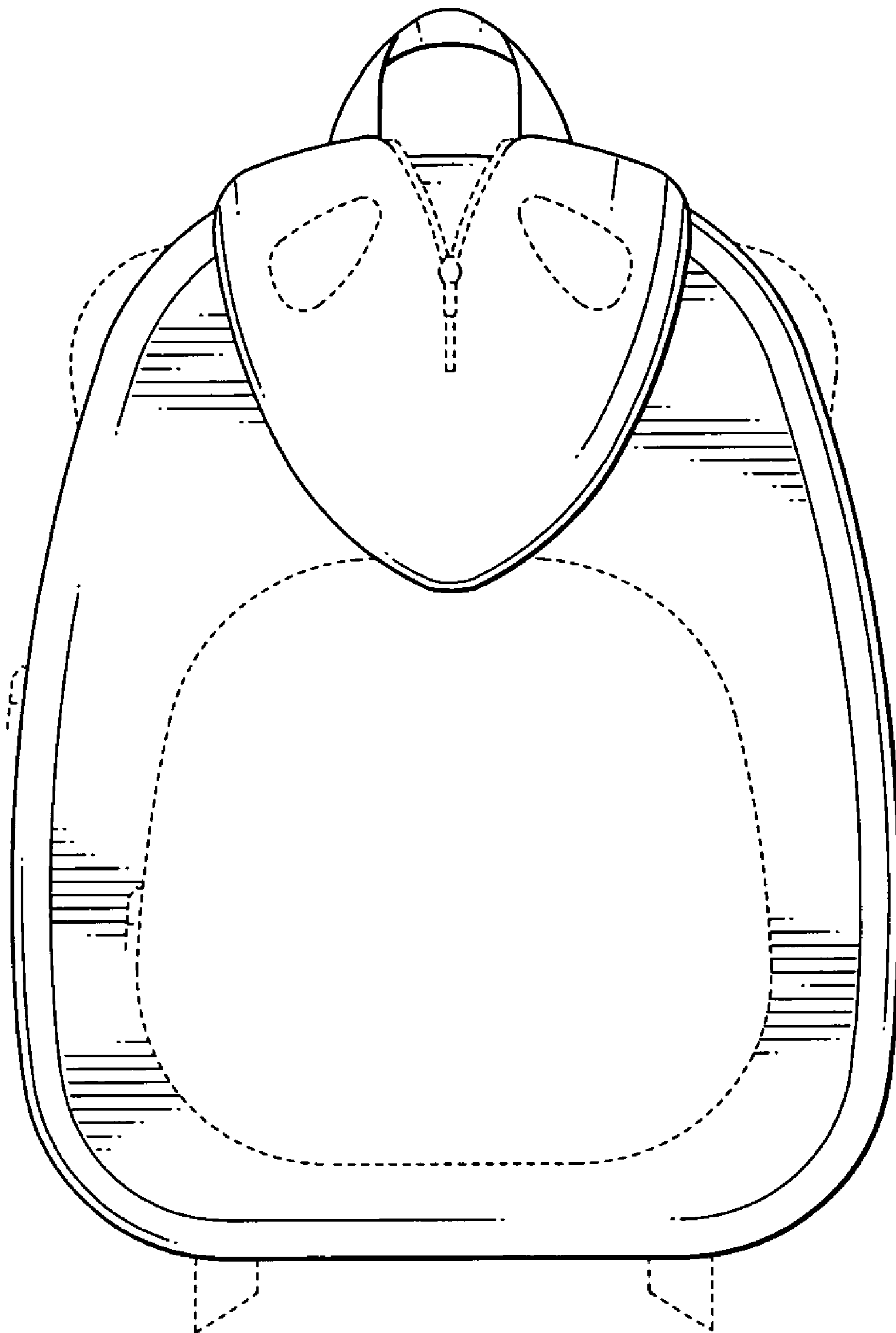


FIG. 2

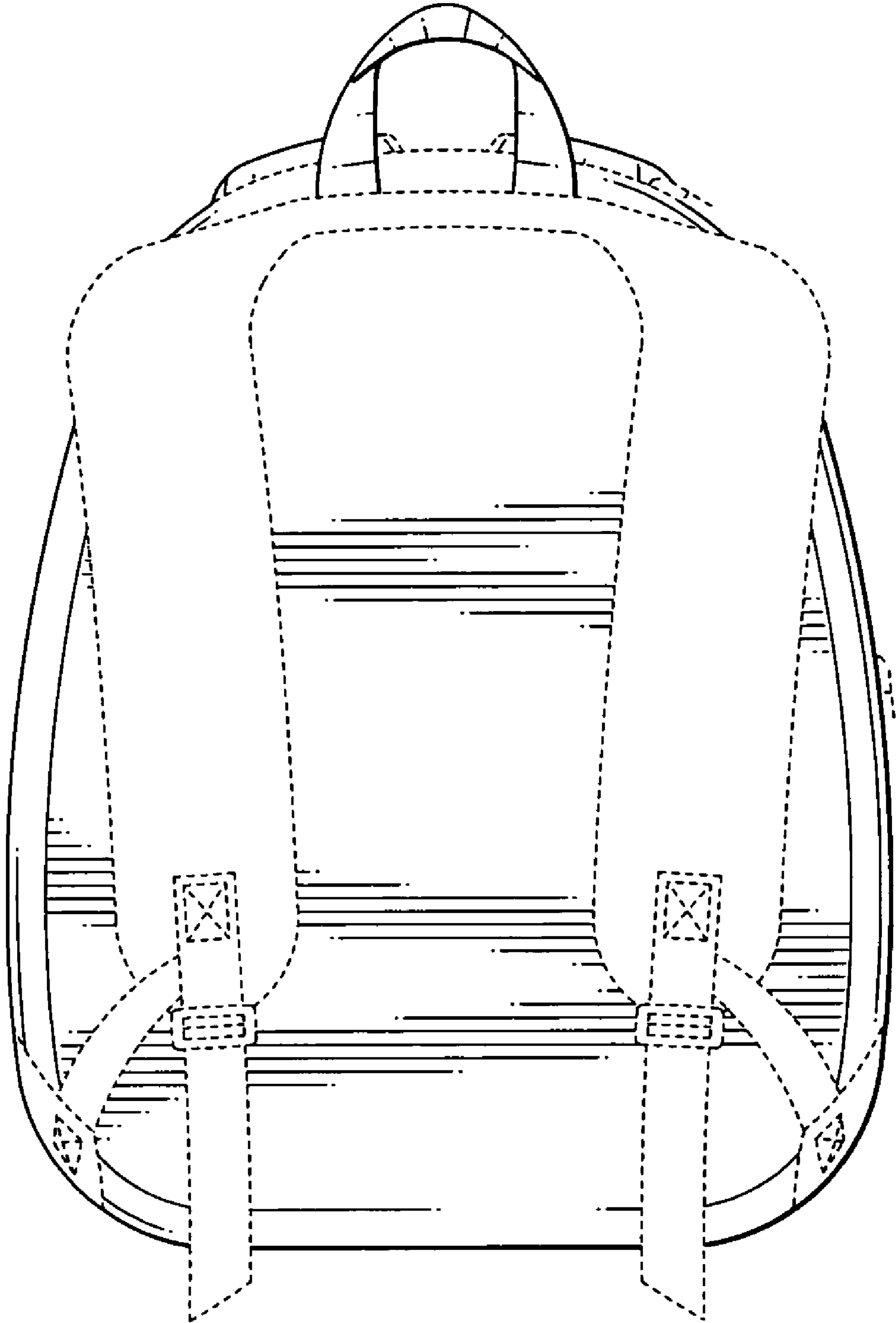


FIG. 3

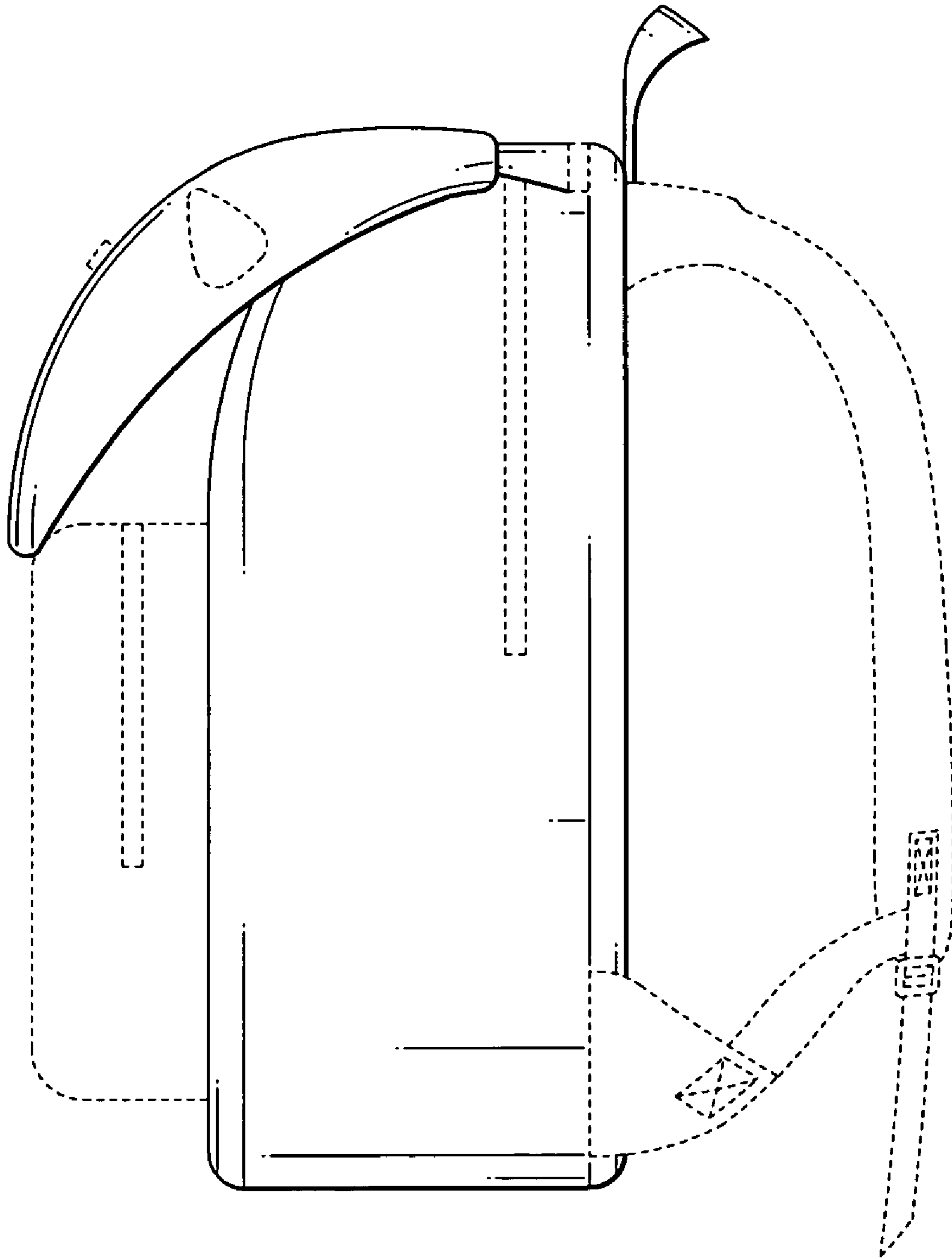


FIG. 4

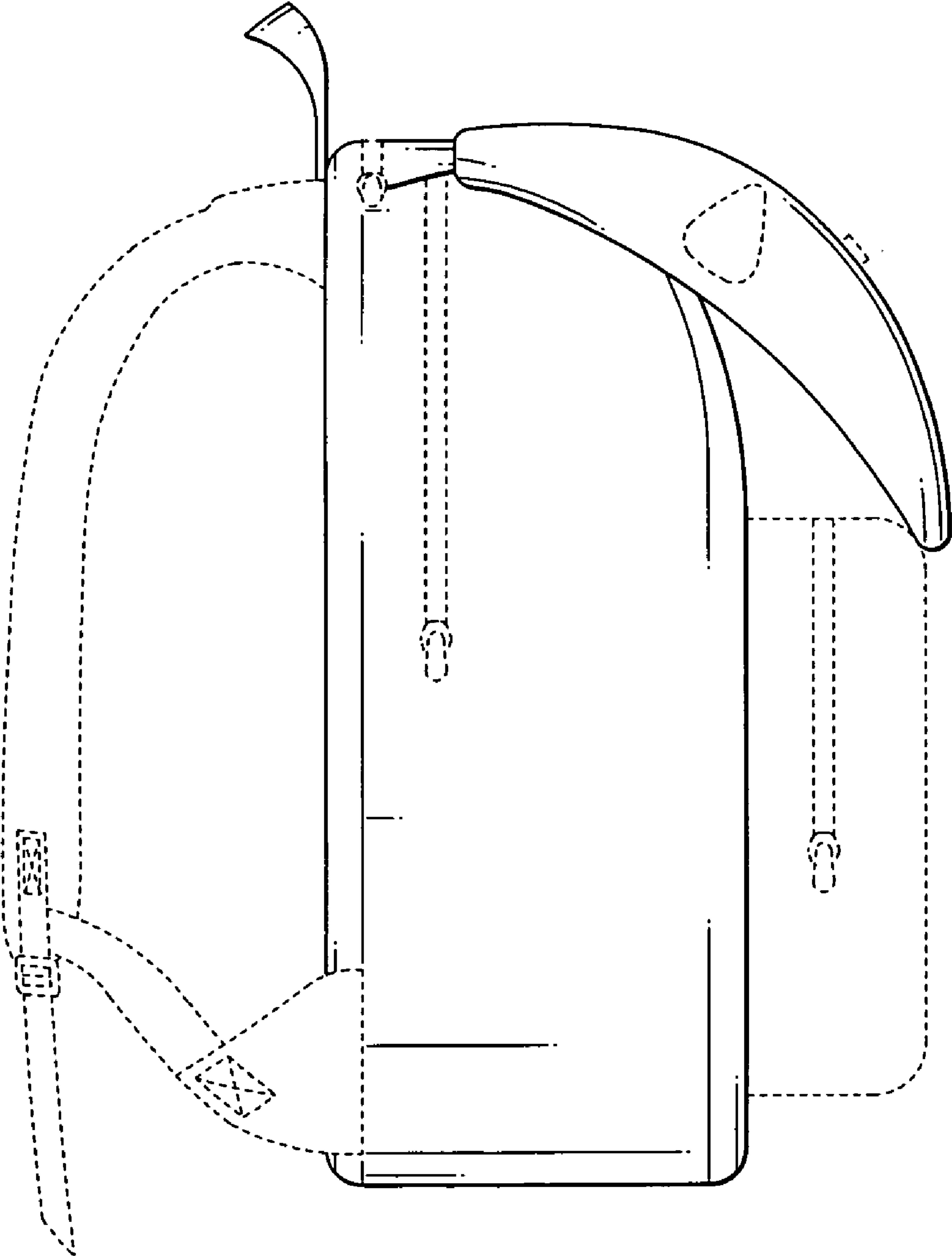


FIG. 5

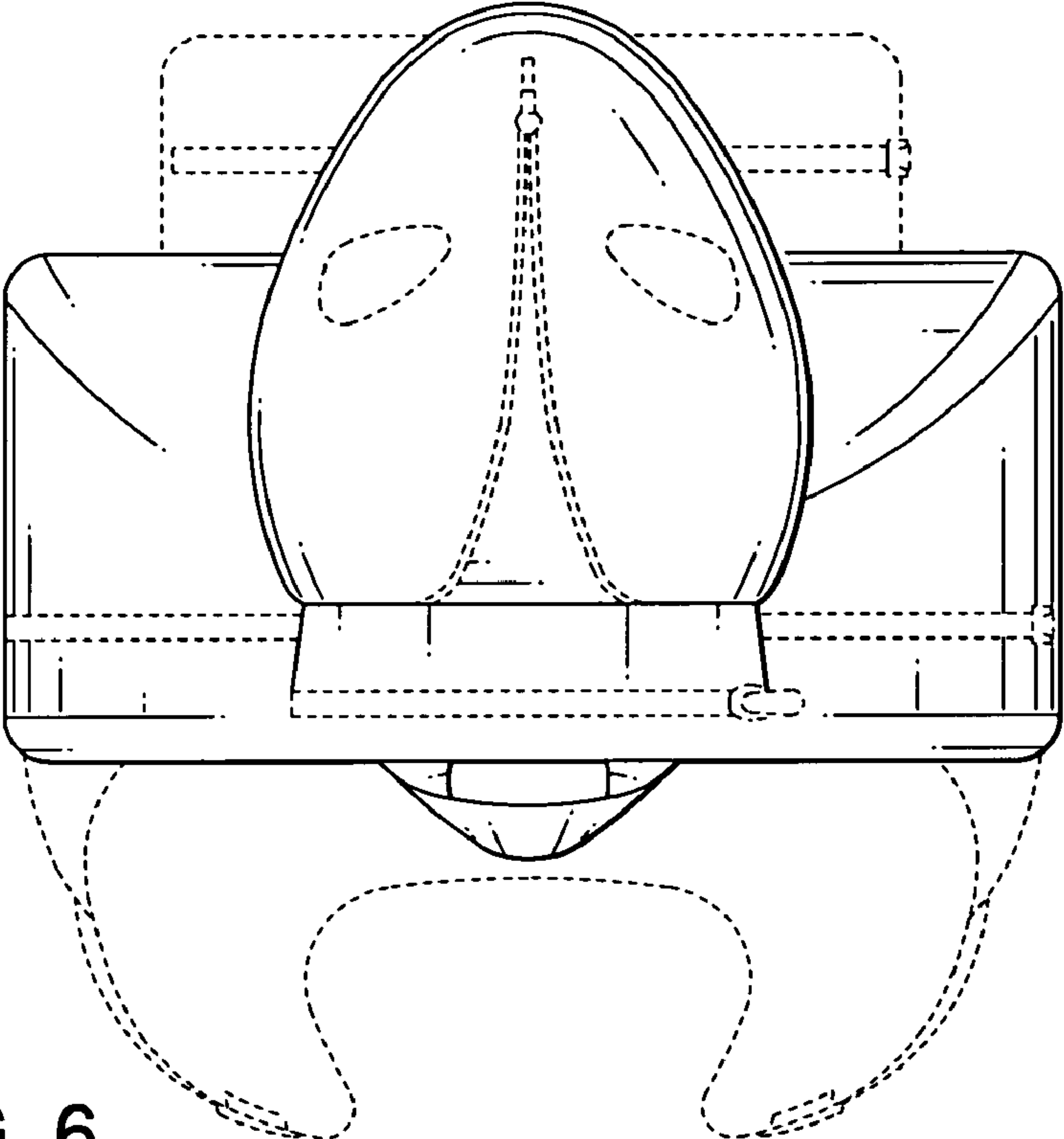


FIG. 6

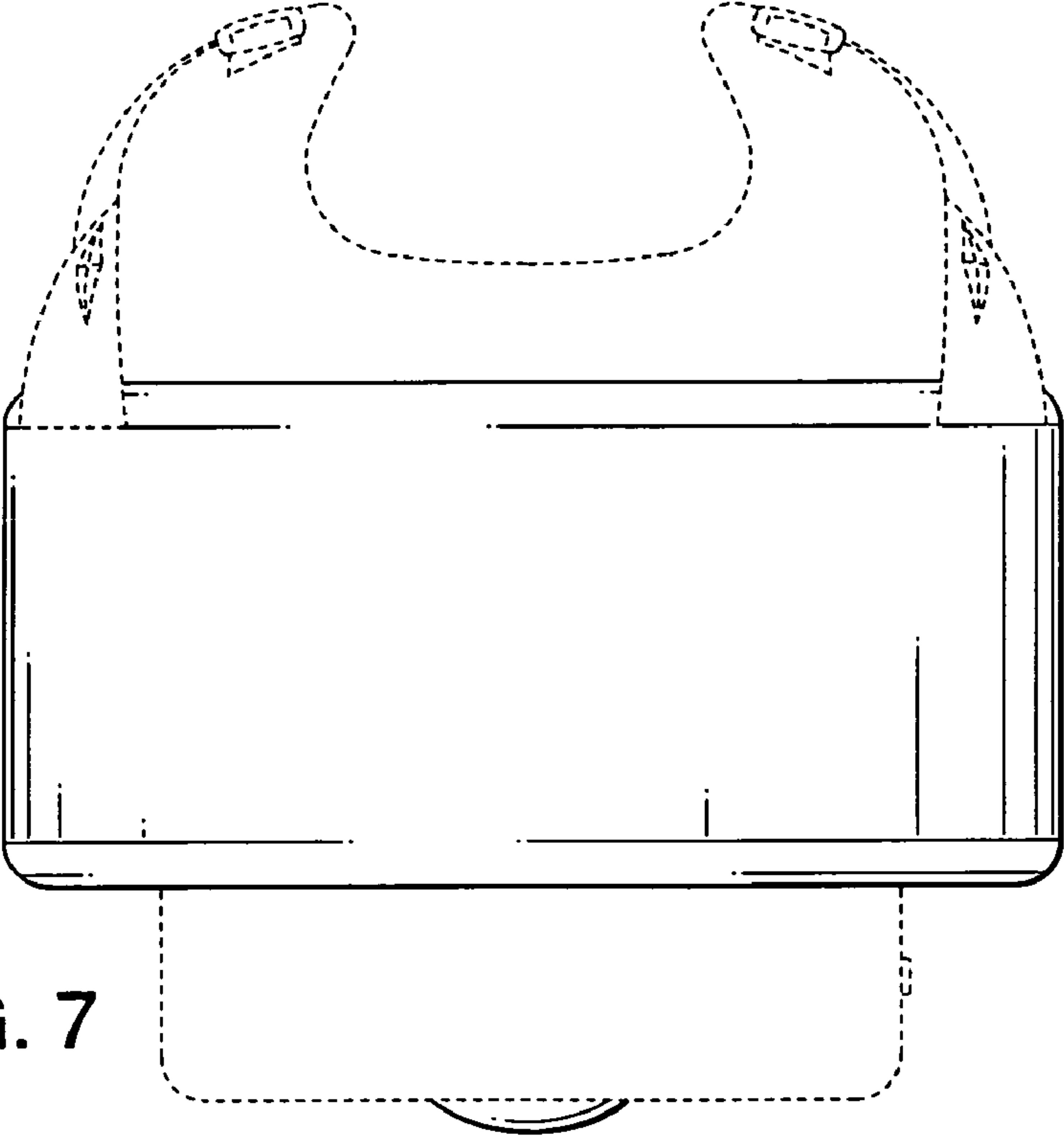


FIG. 7

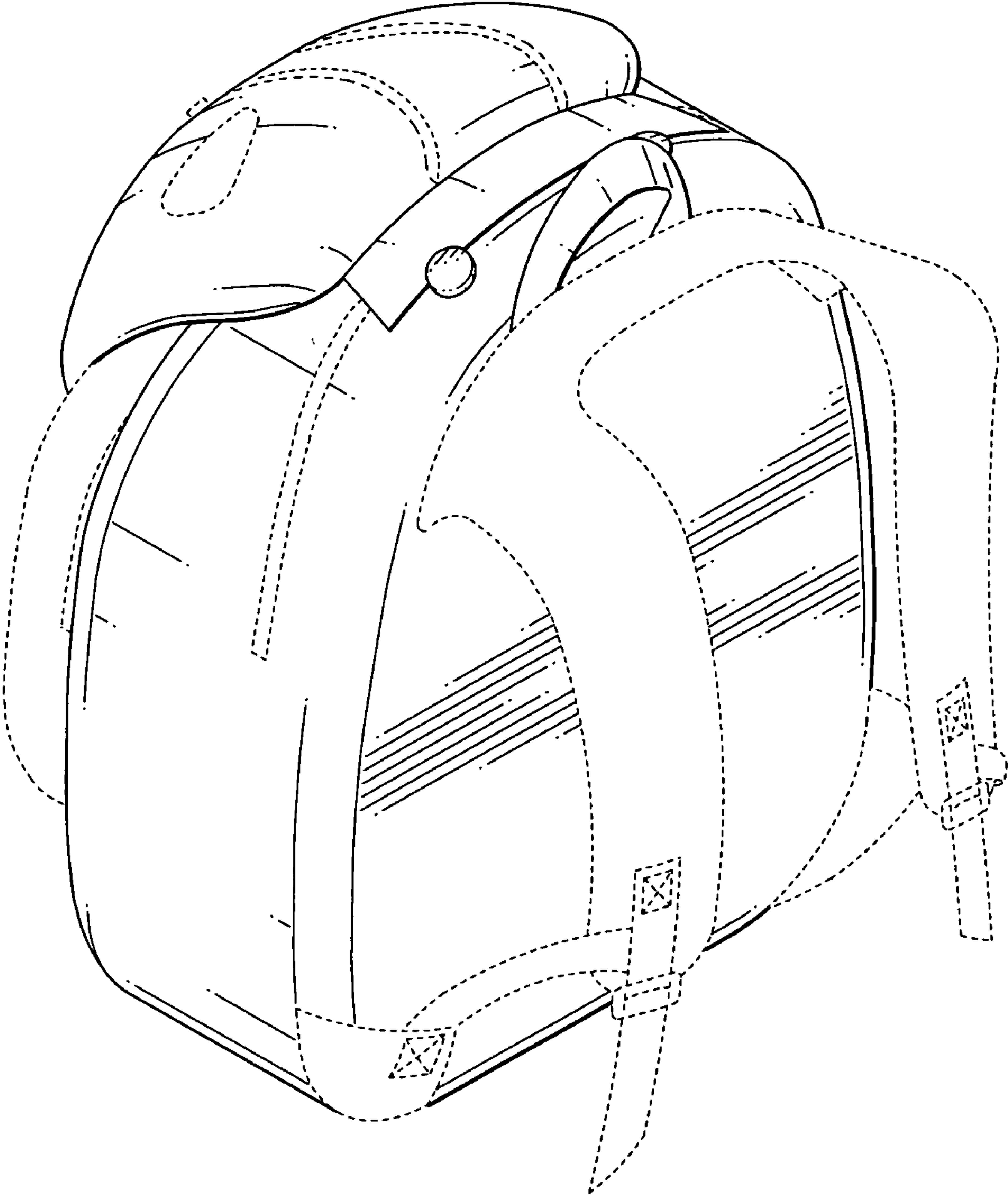


FIG. 8

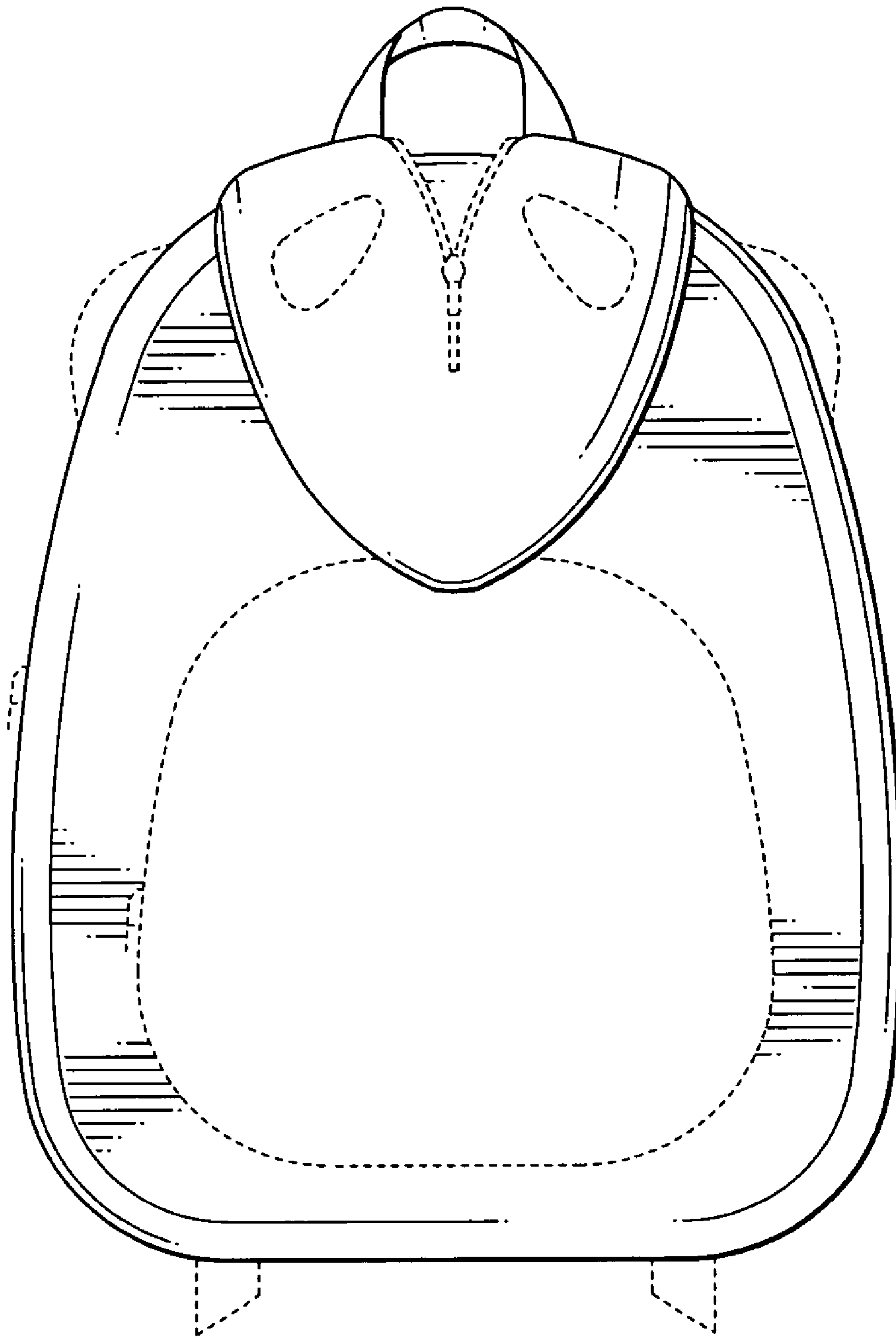


FIG. 9

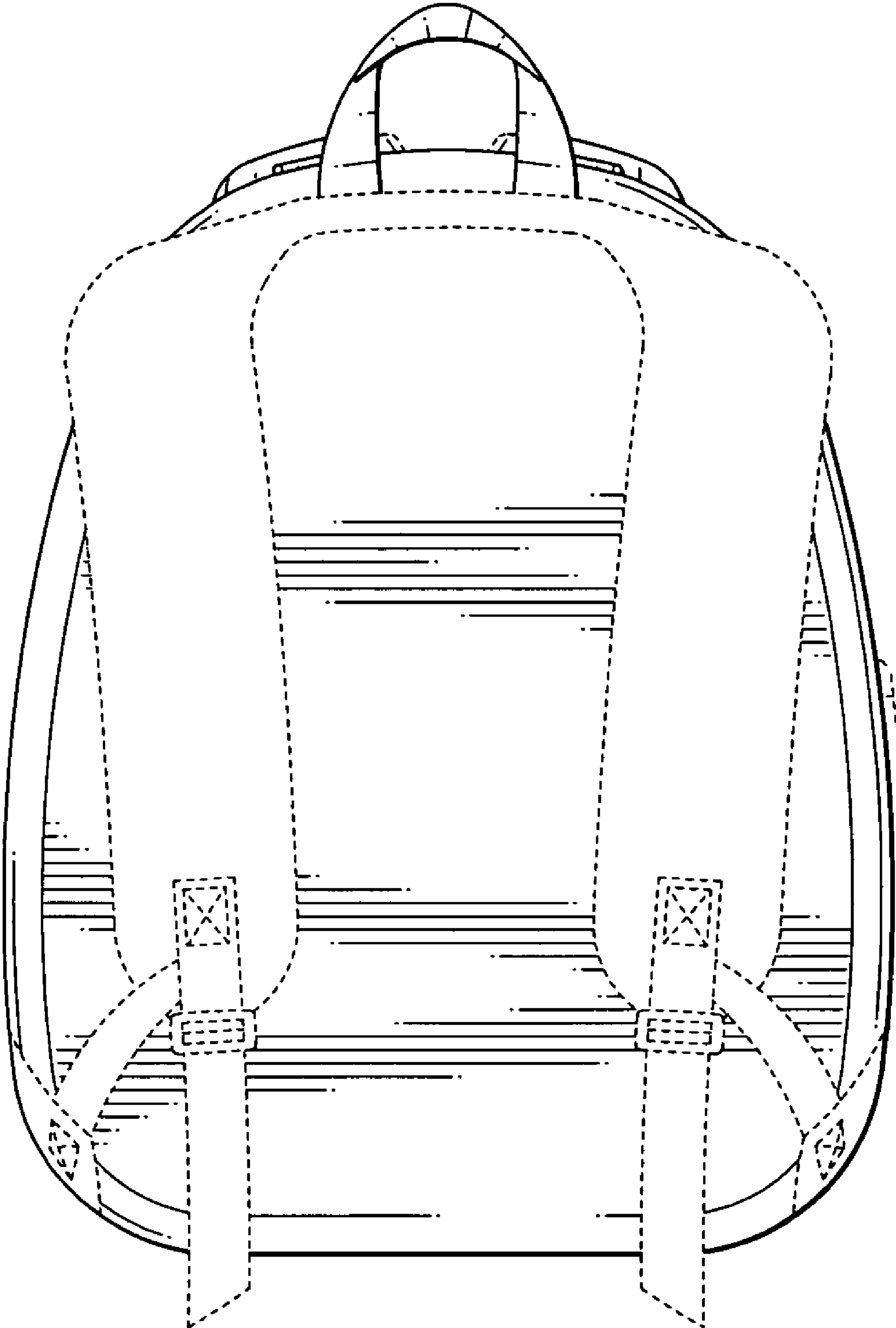


FIG. 10

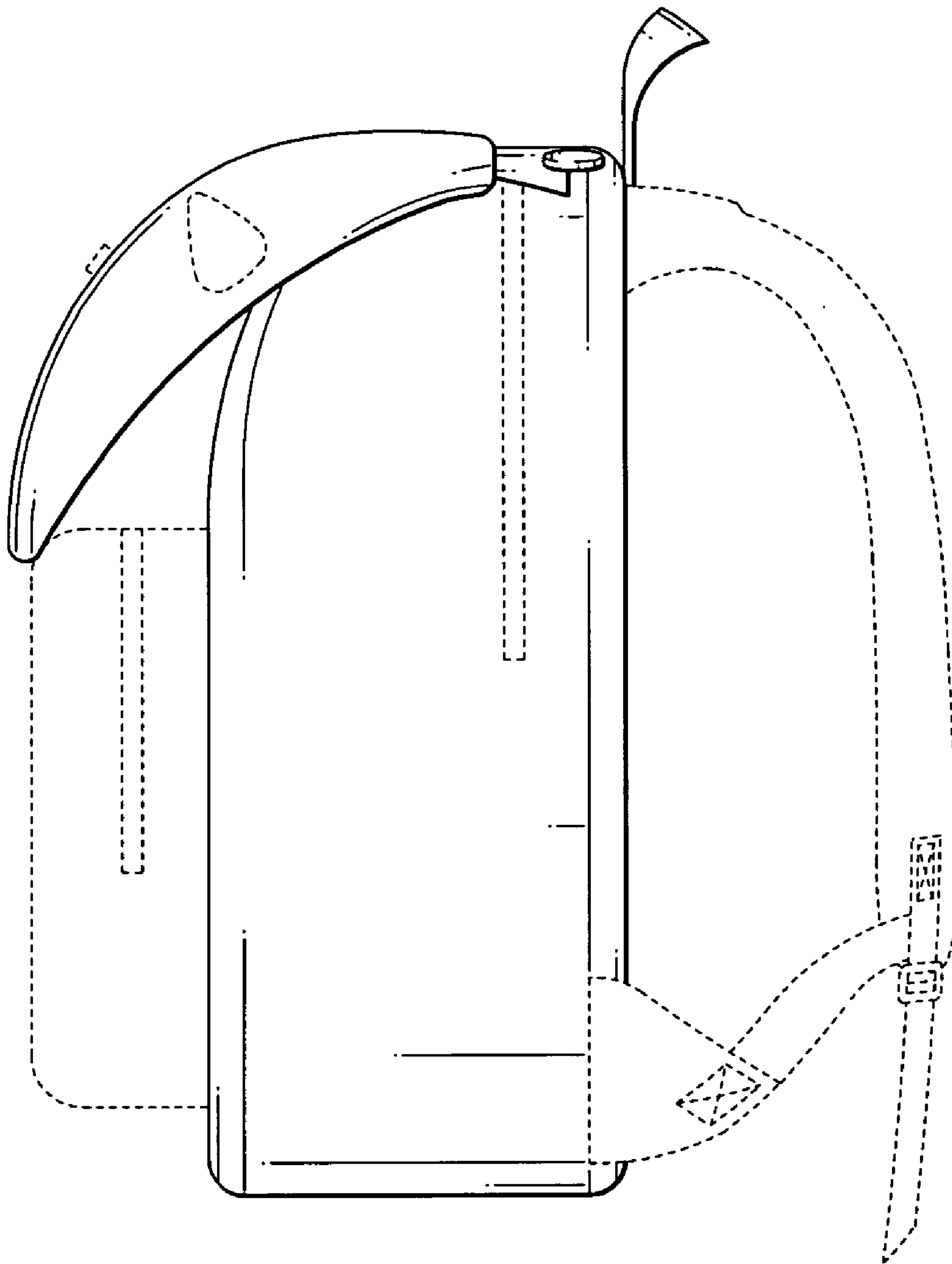


FIG. 11

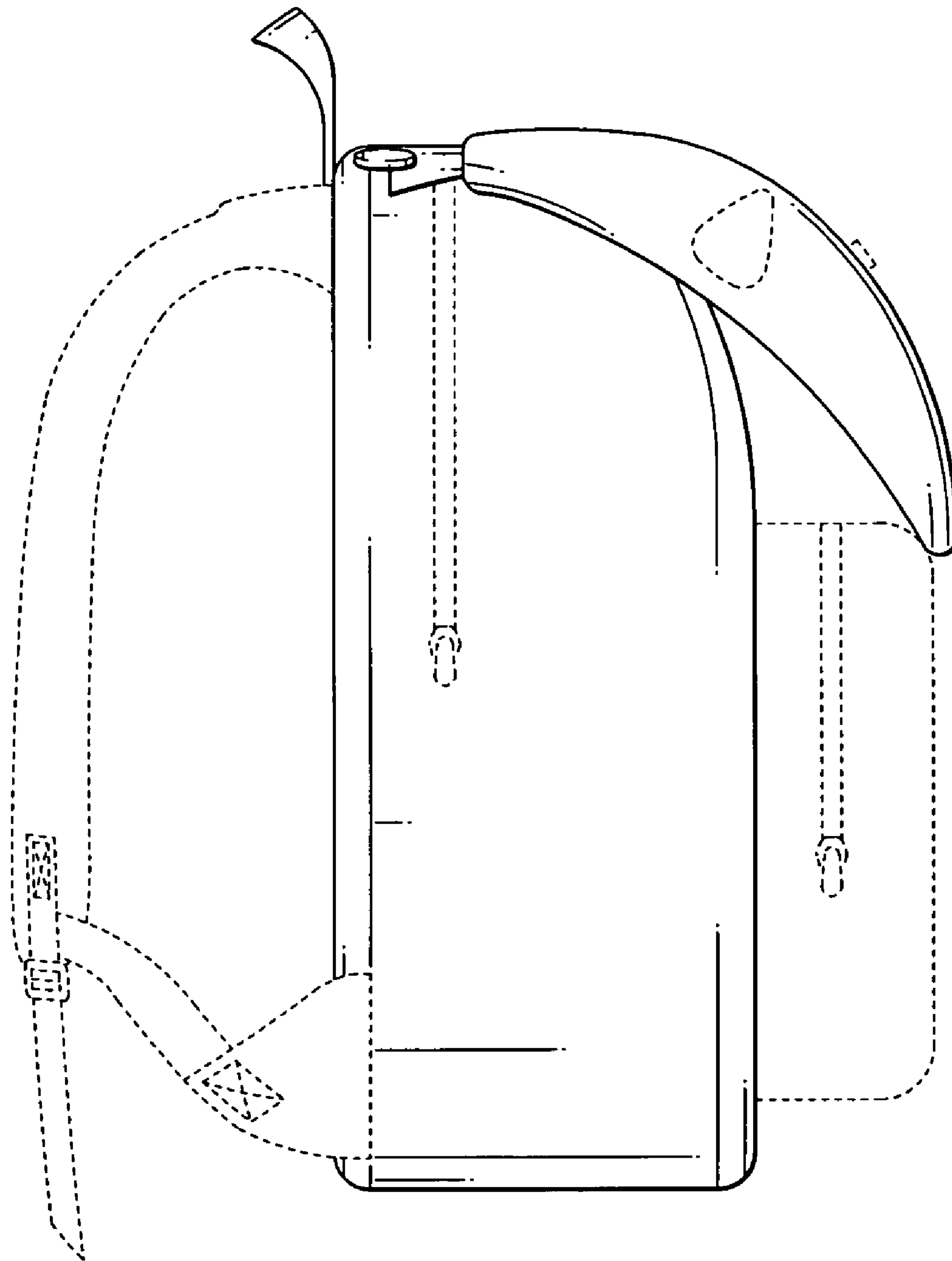


FIG. 12

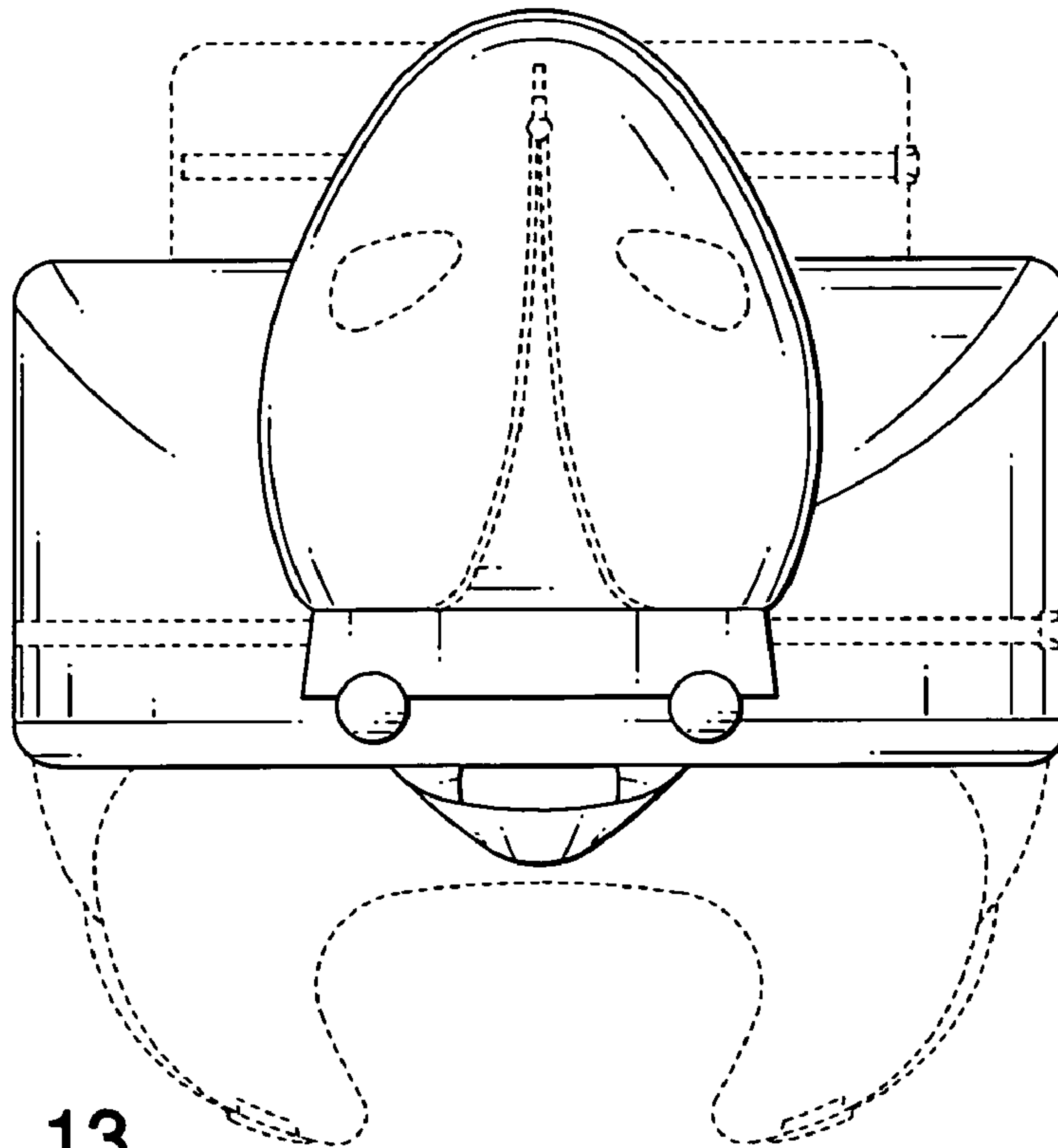


FIG. 13

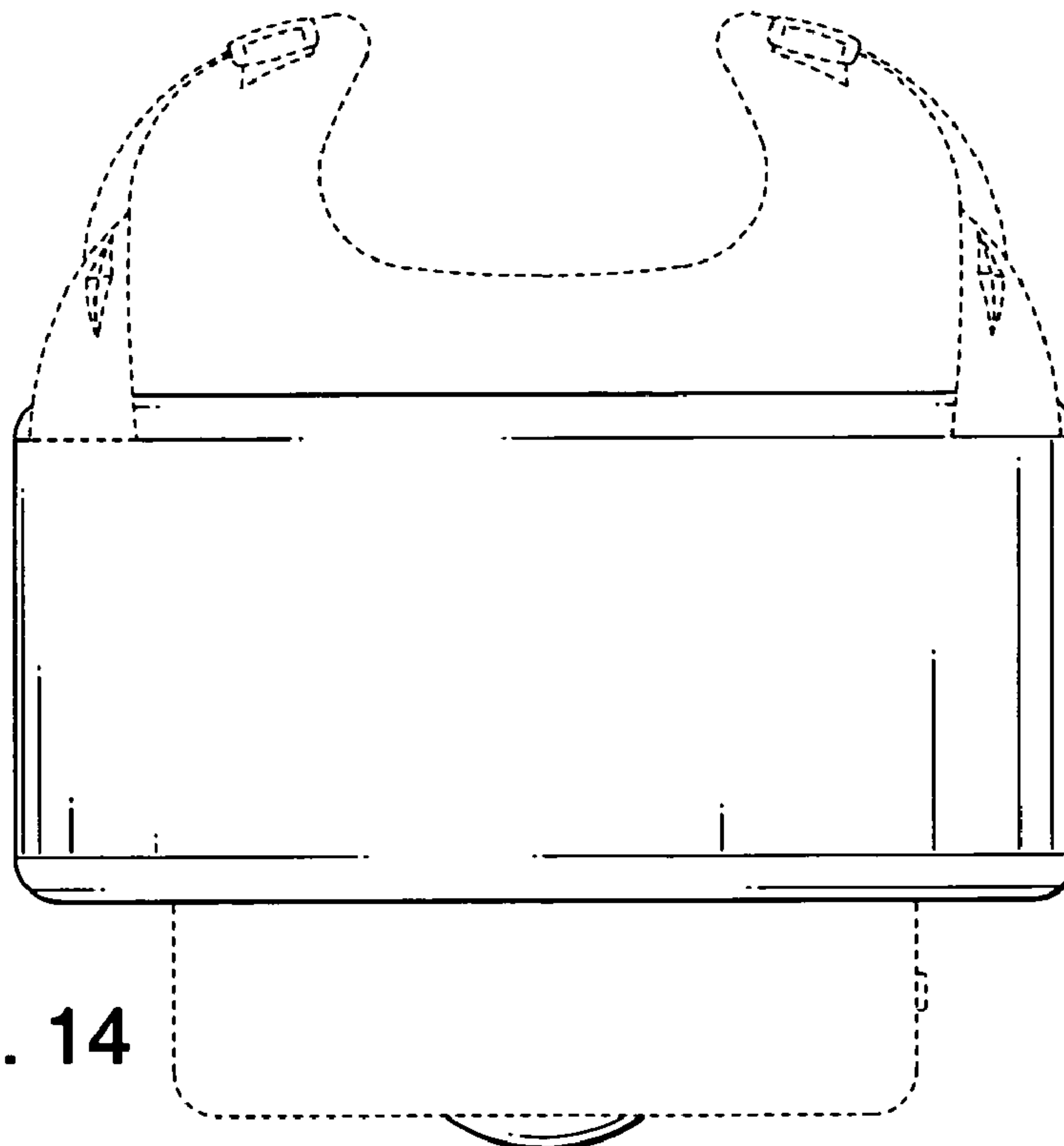


FIG. 14



FIG. 15

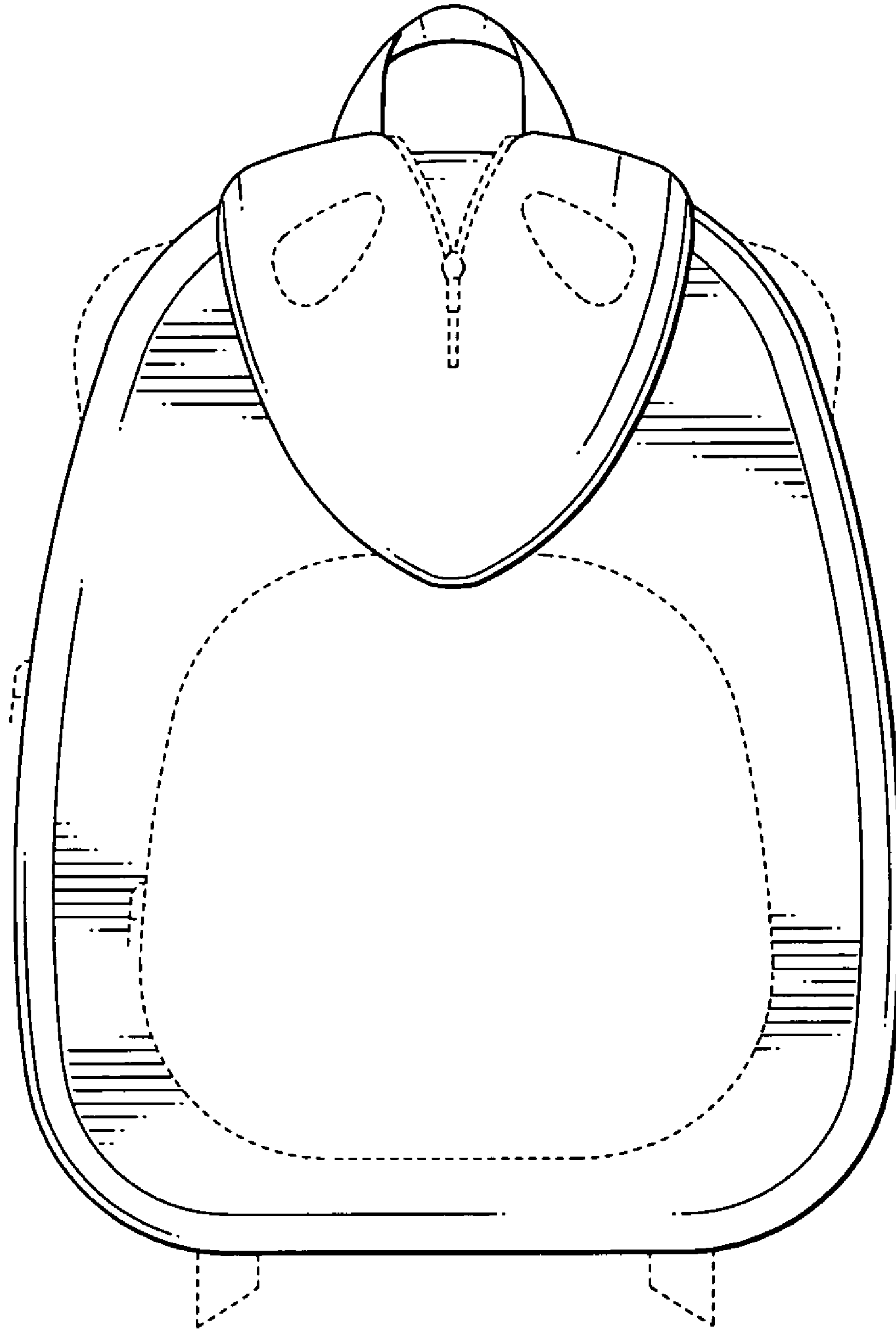


FIG. 16

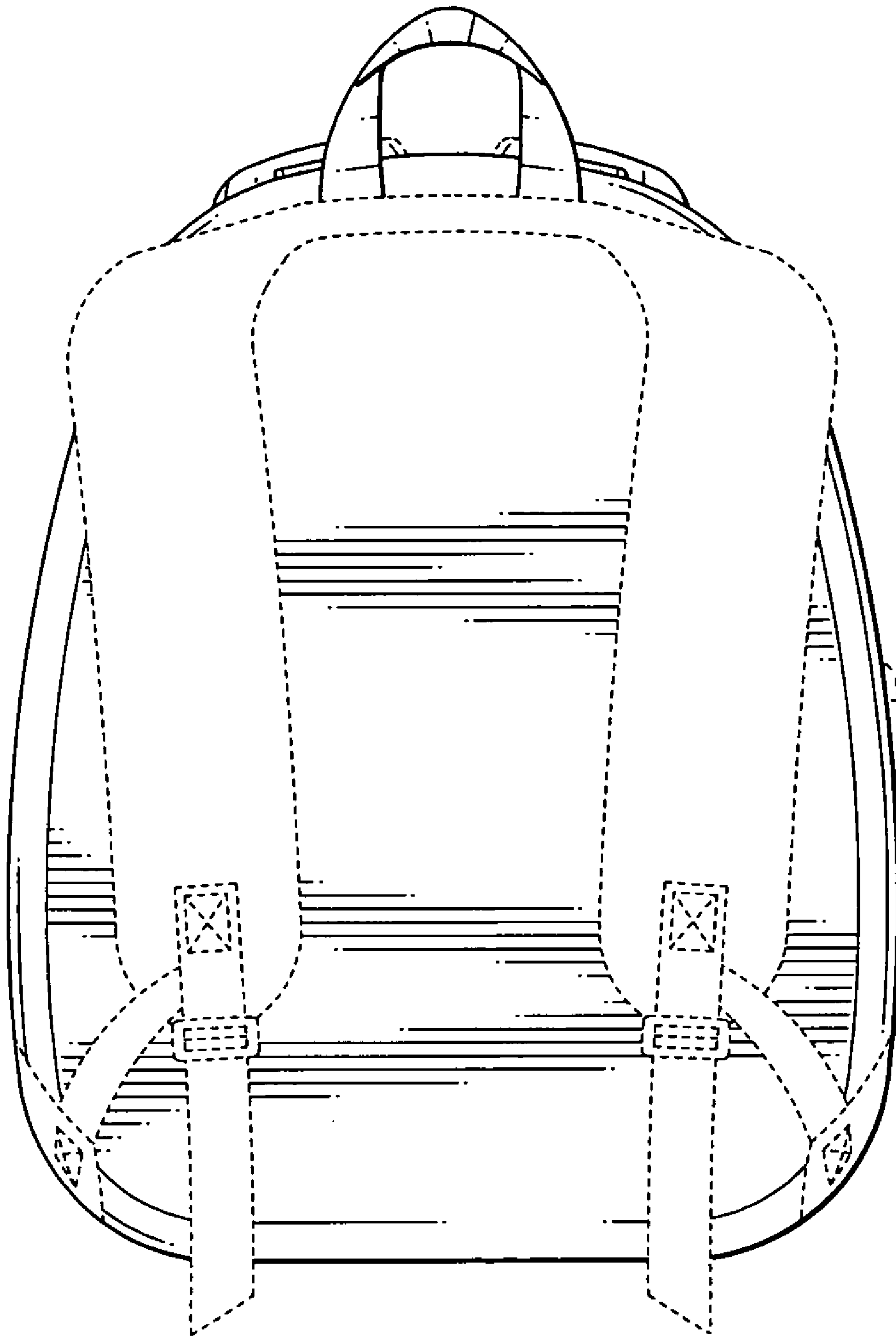


FIG. 17

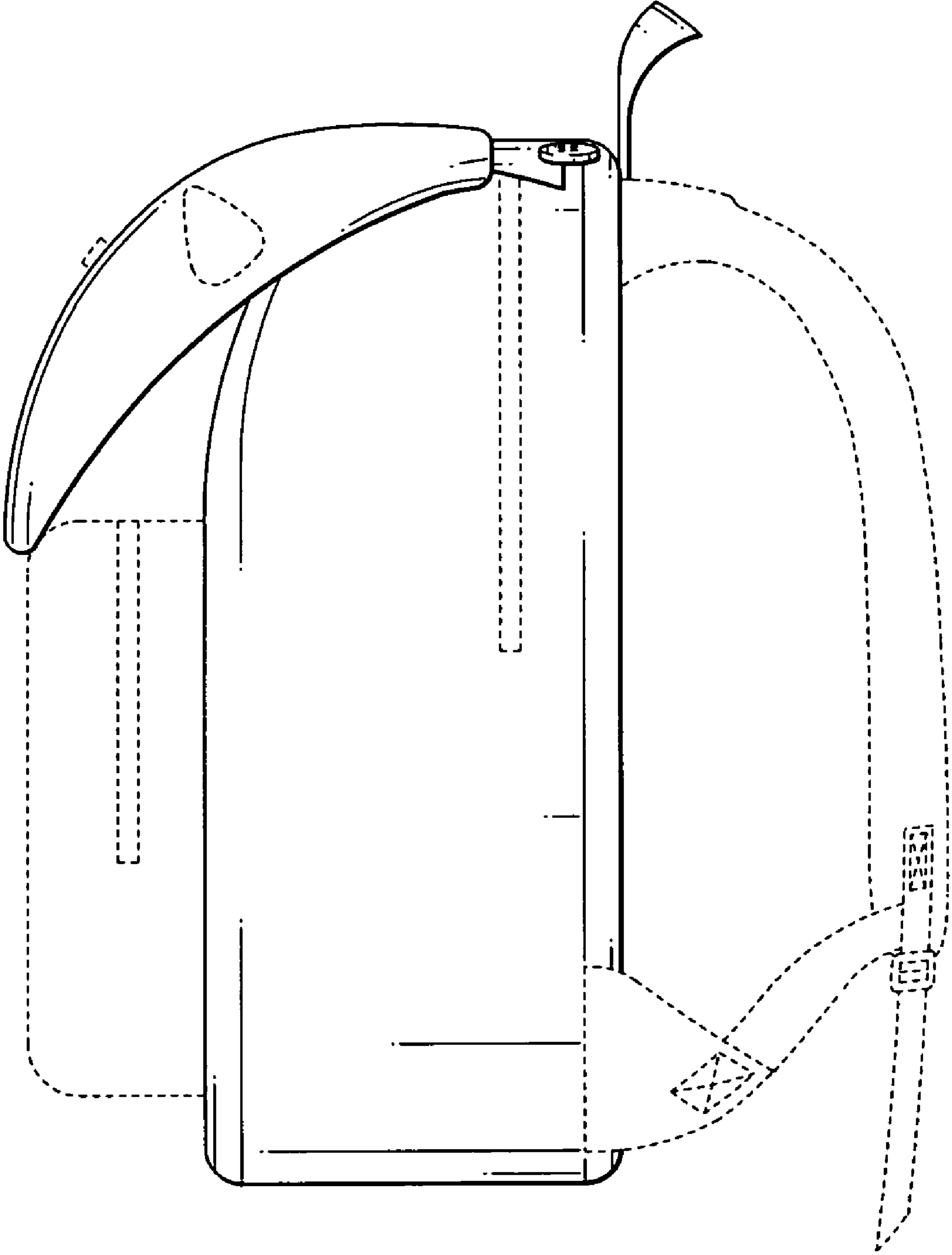


FIG. 18

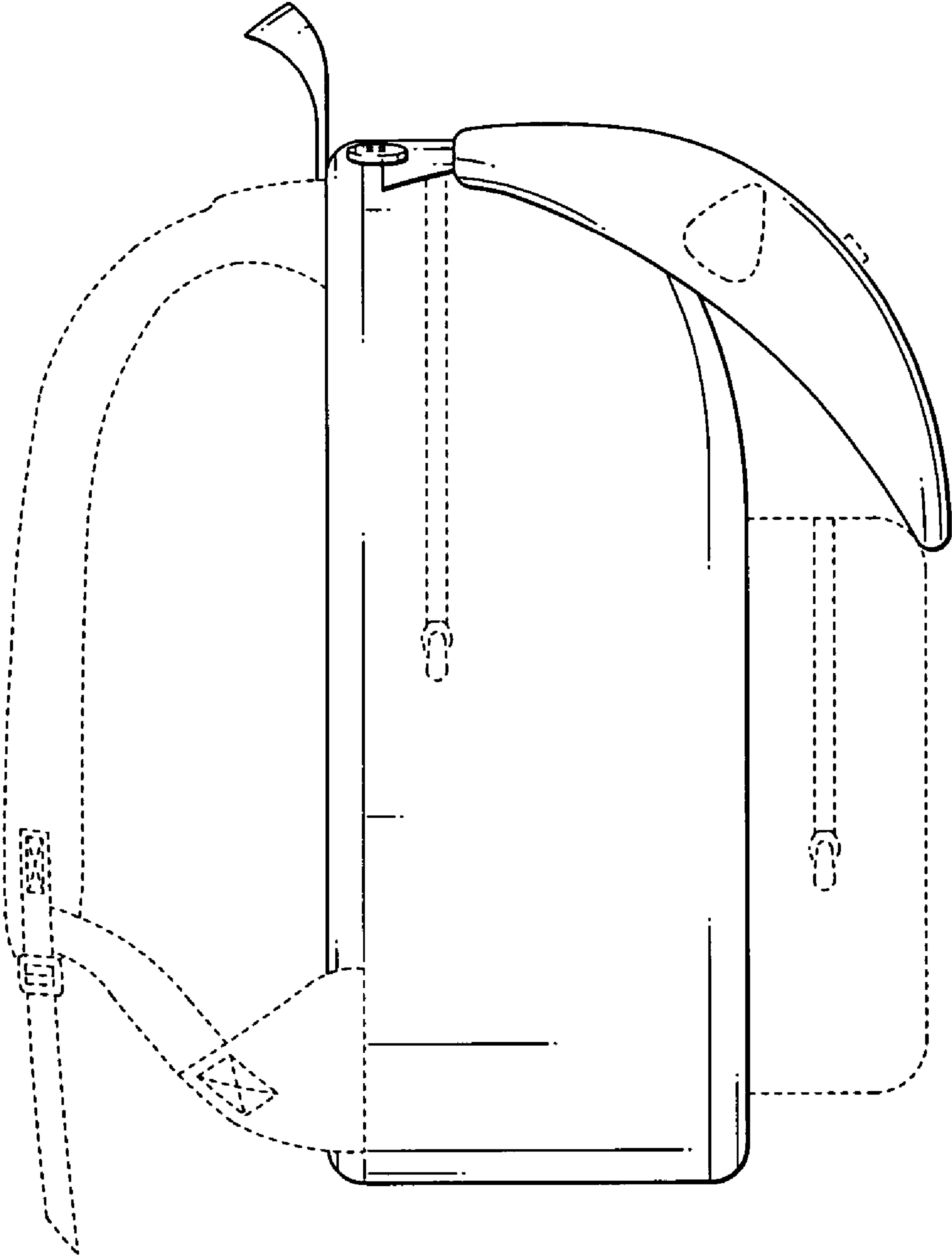


FIG. 19

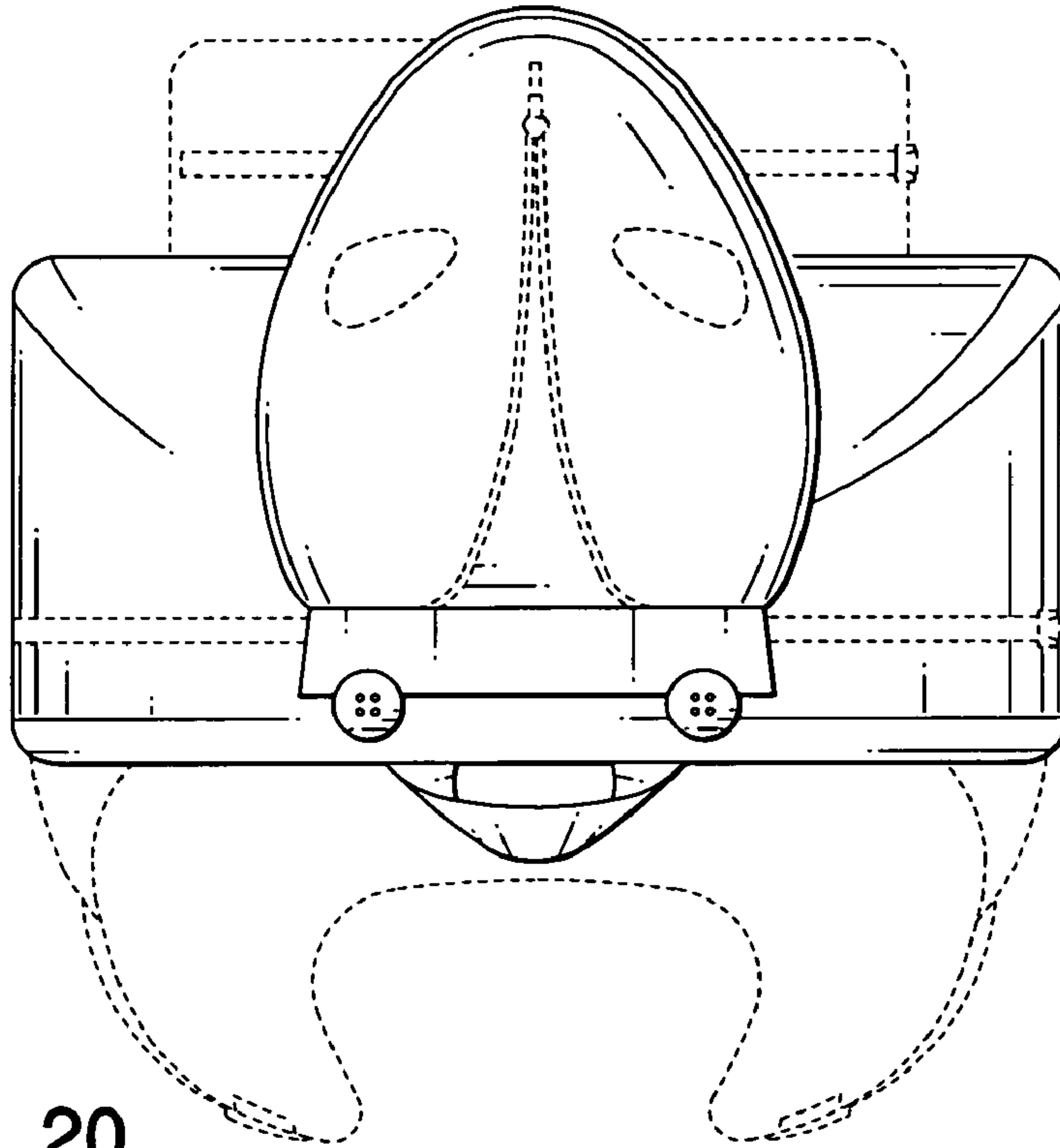


FIG. 20

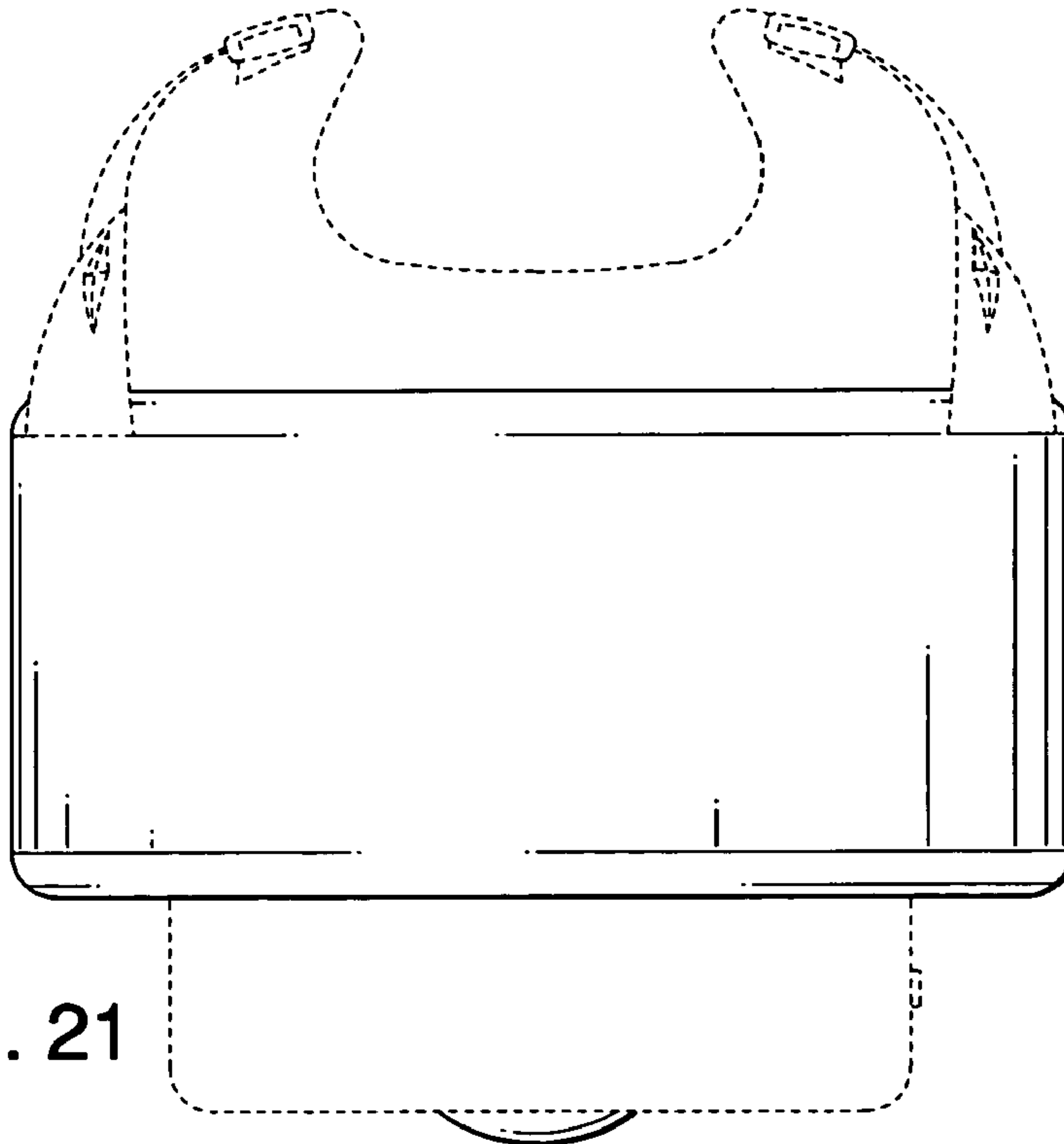


FIG. 21



FIG. 22

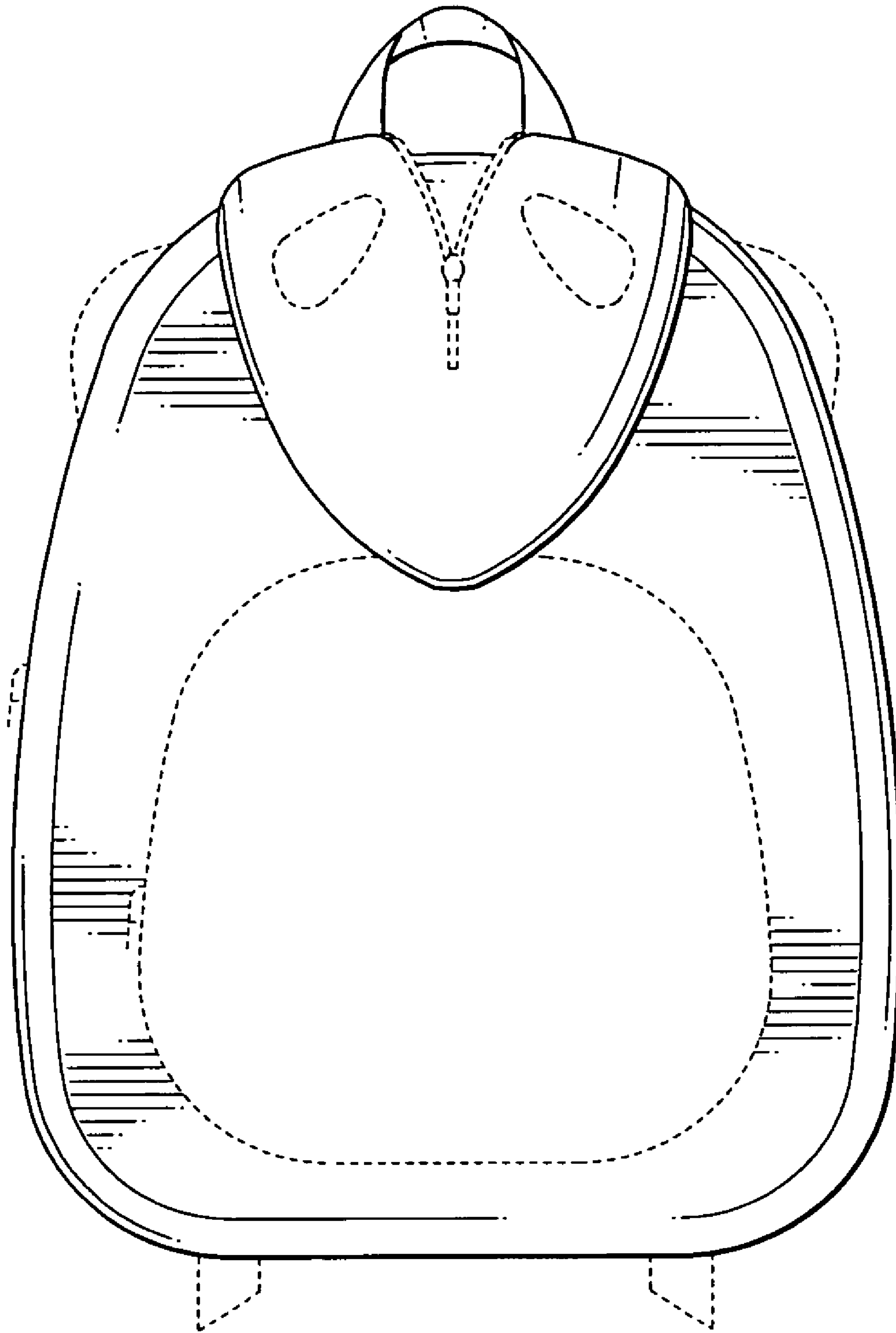


FIG. 23

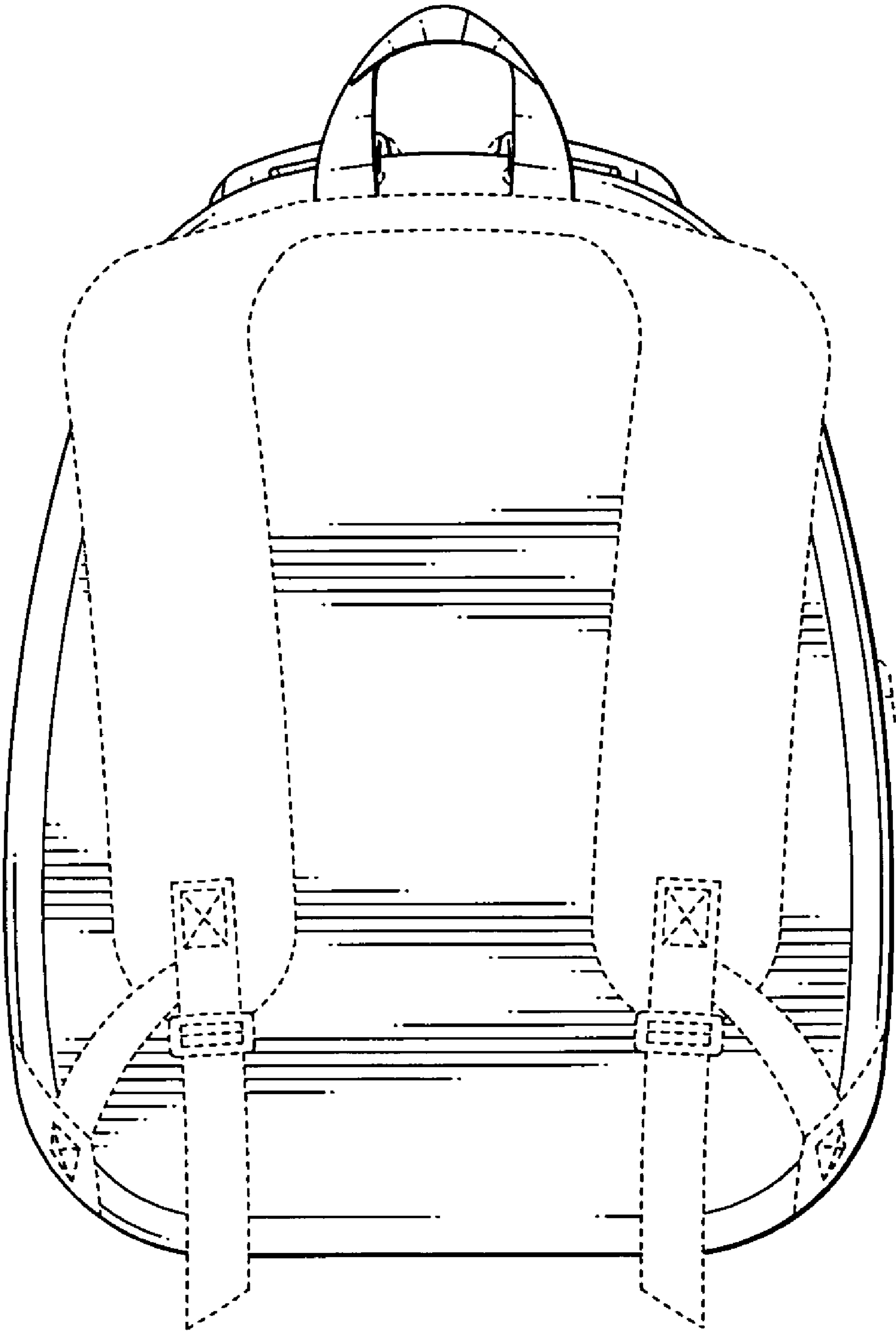


FIG. 24

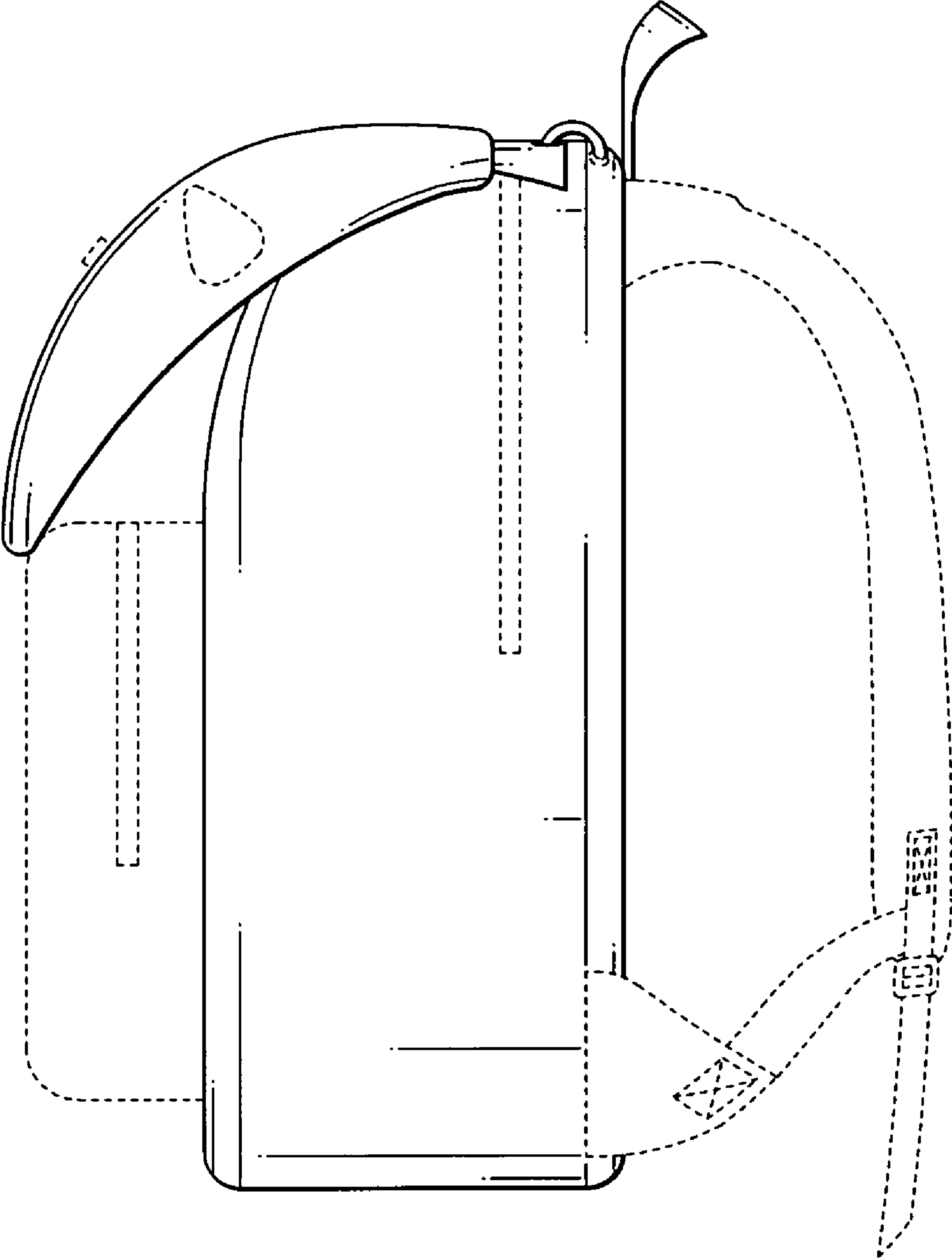


FIG. 25

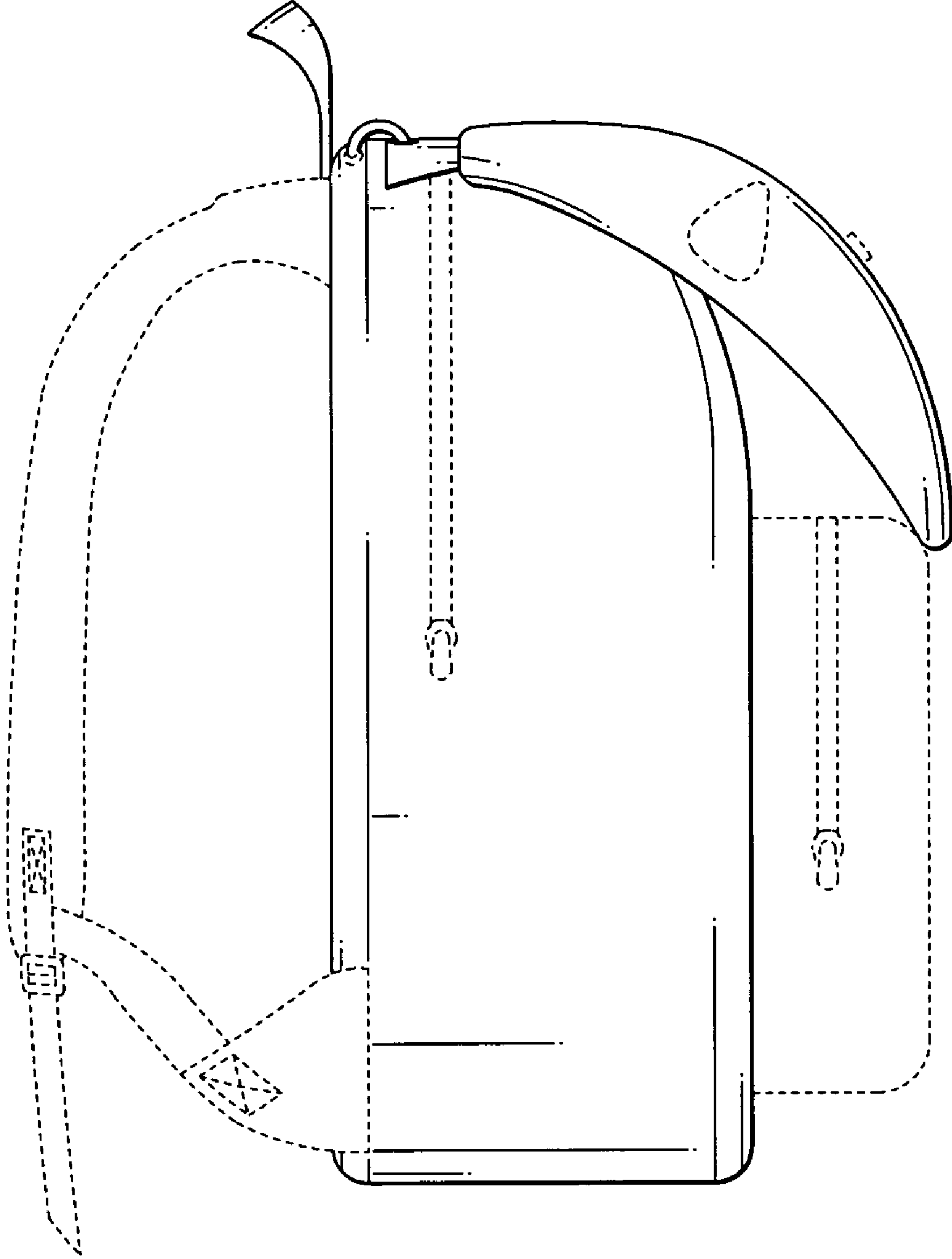


FIG. 26

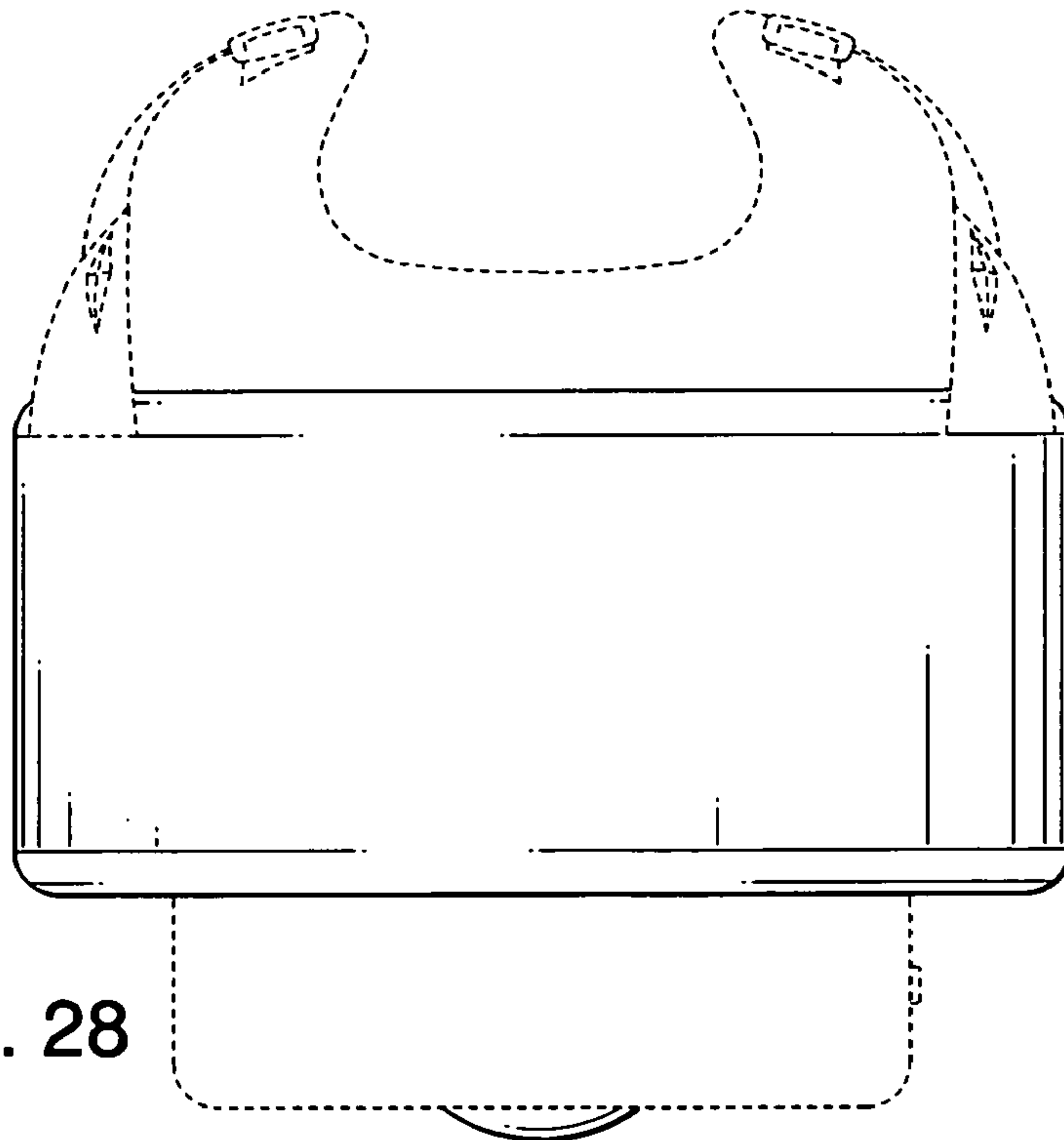
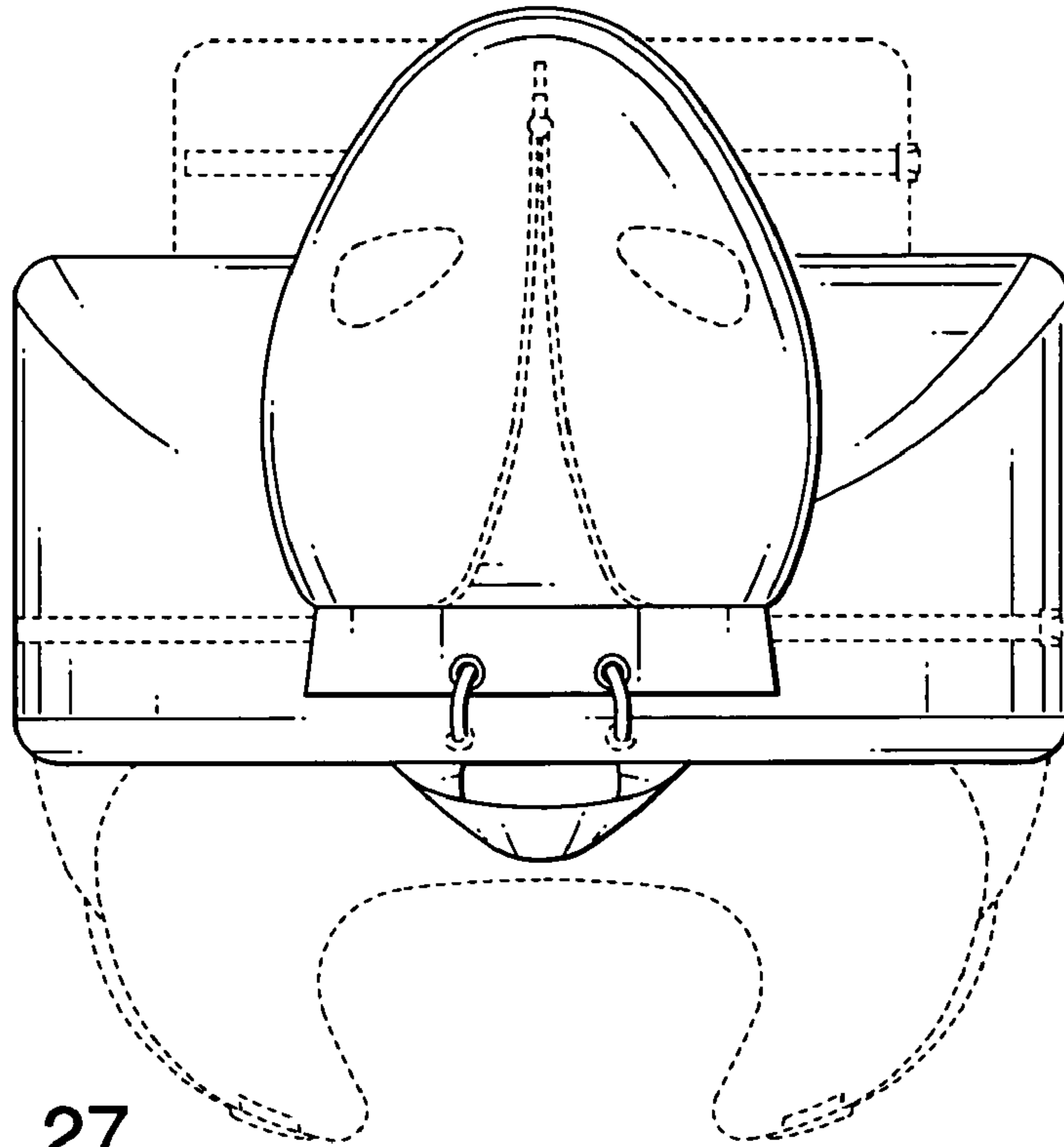




FIG. 29

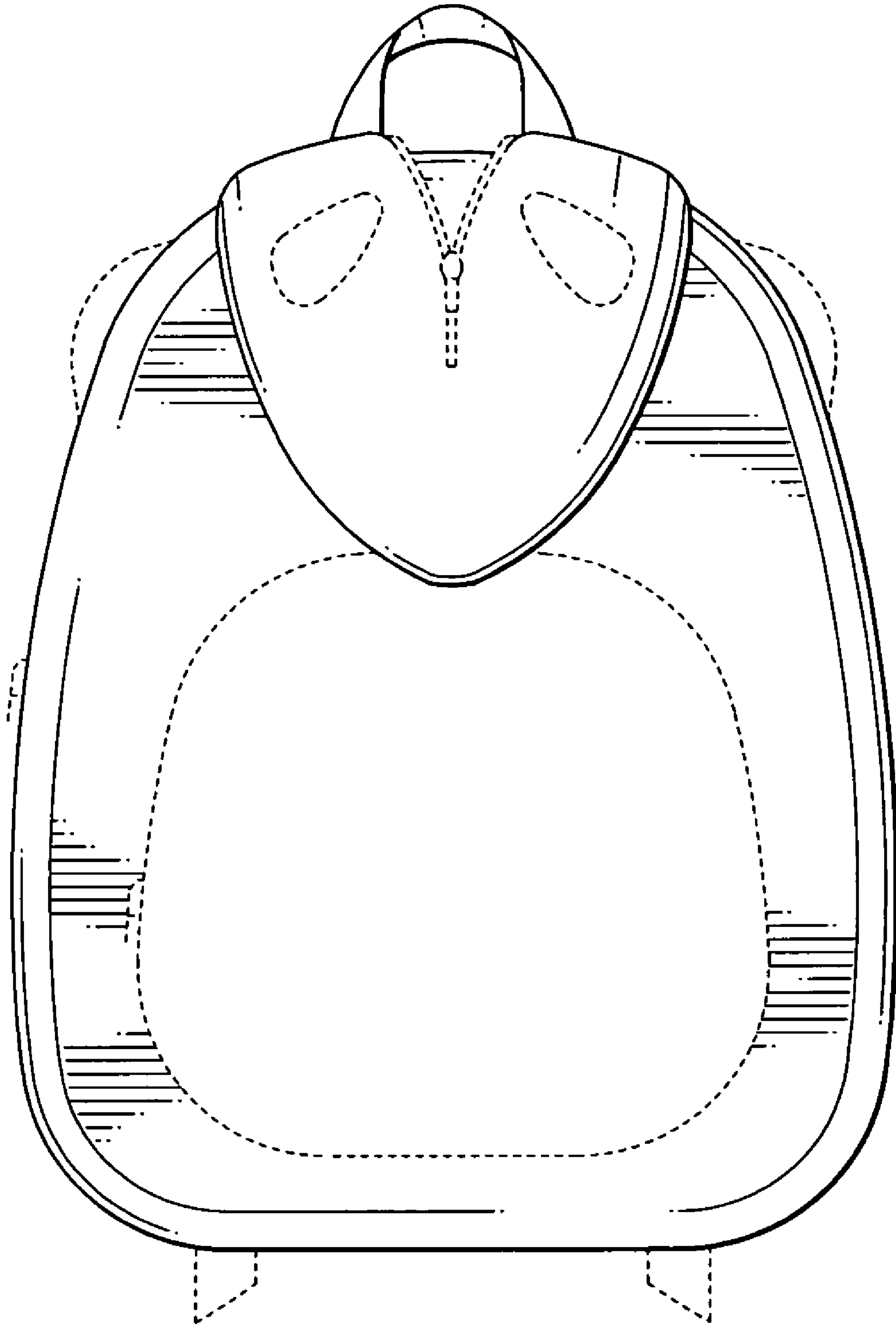


FIG. 30

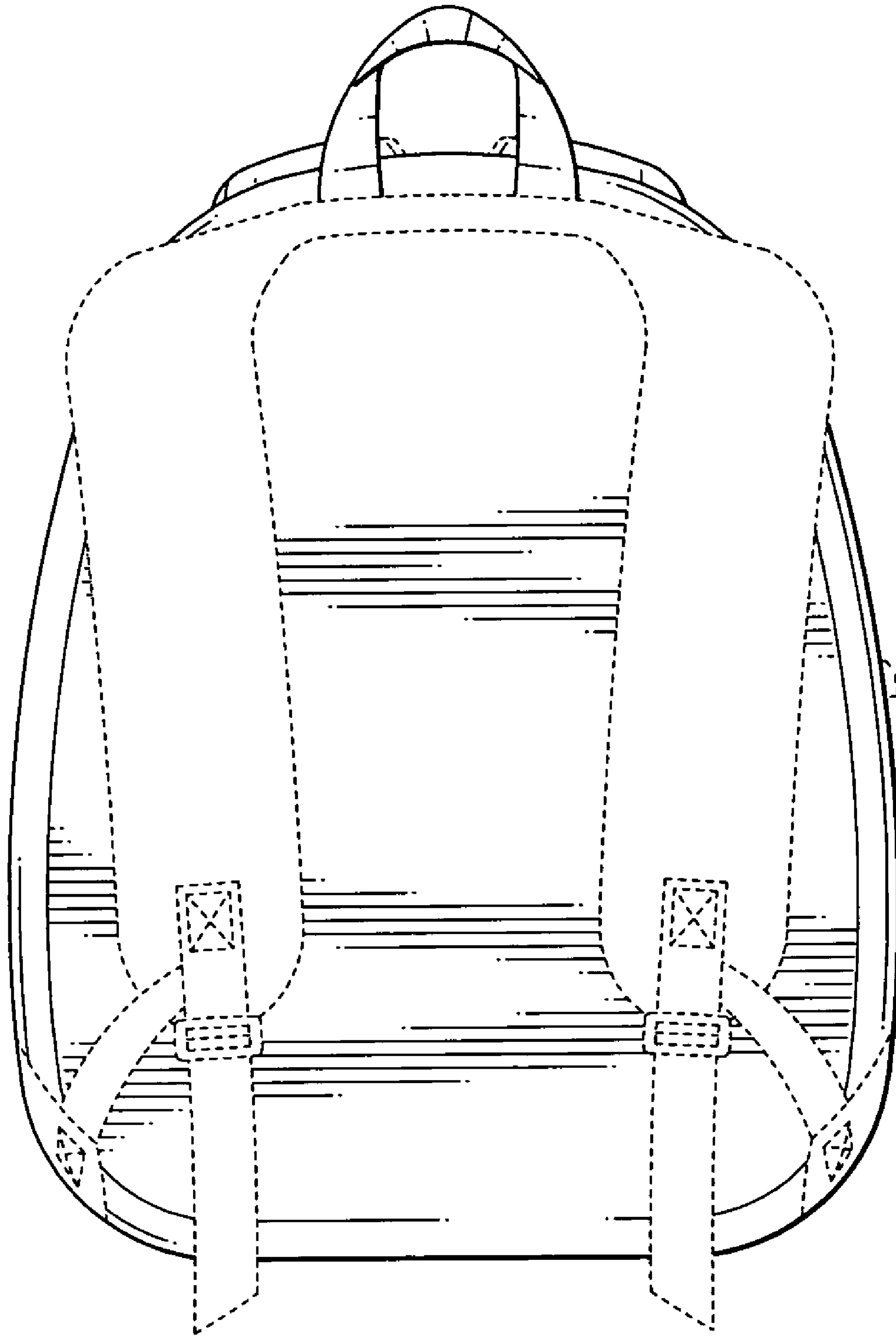


FIG. 31

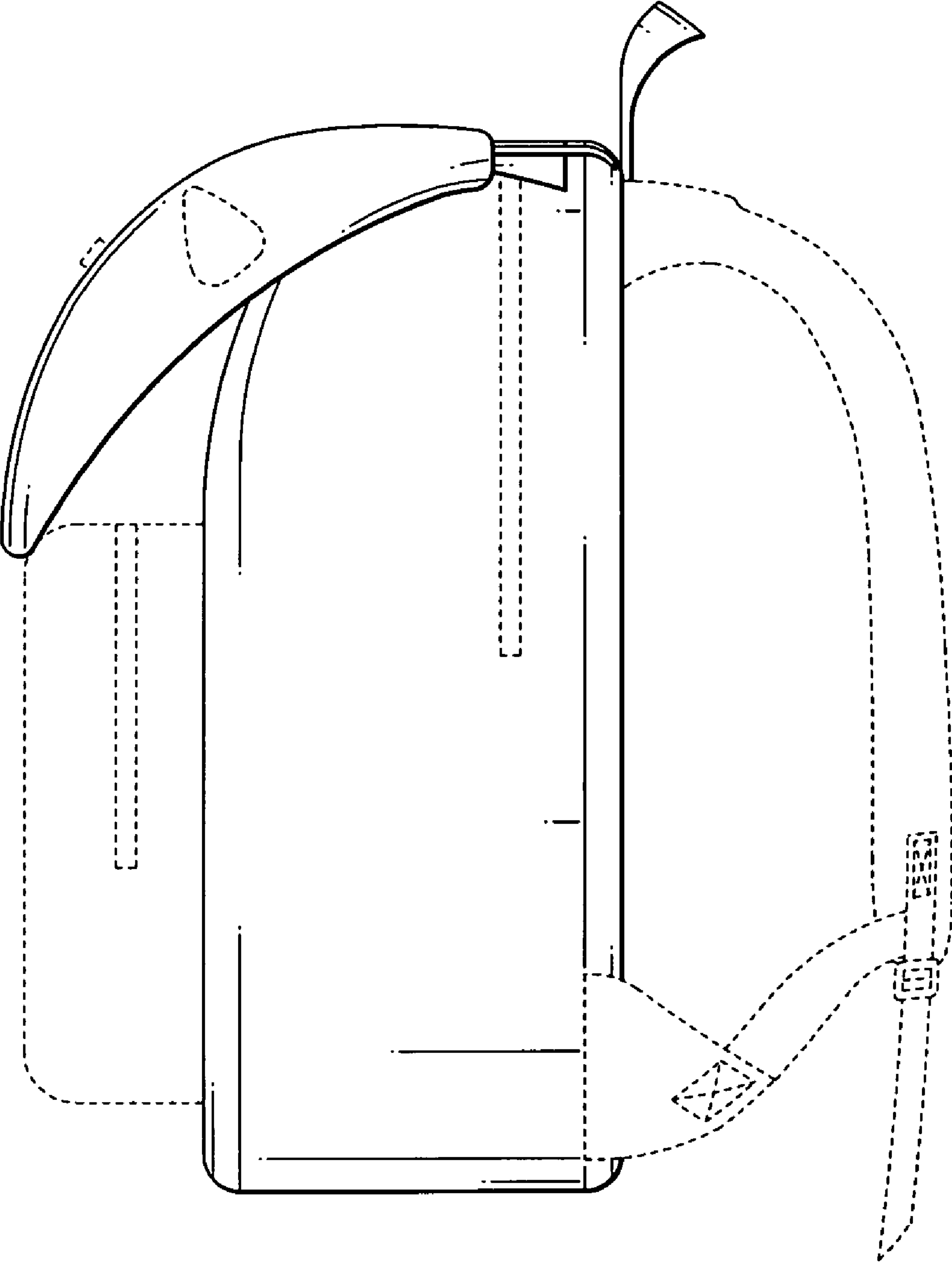


FIG. 32

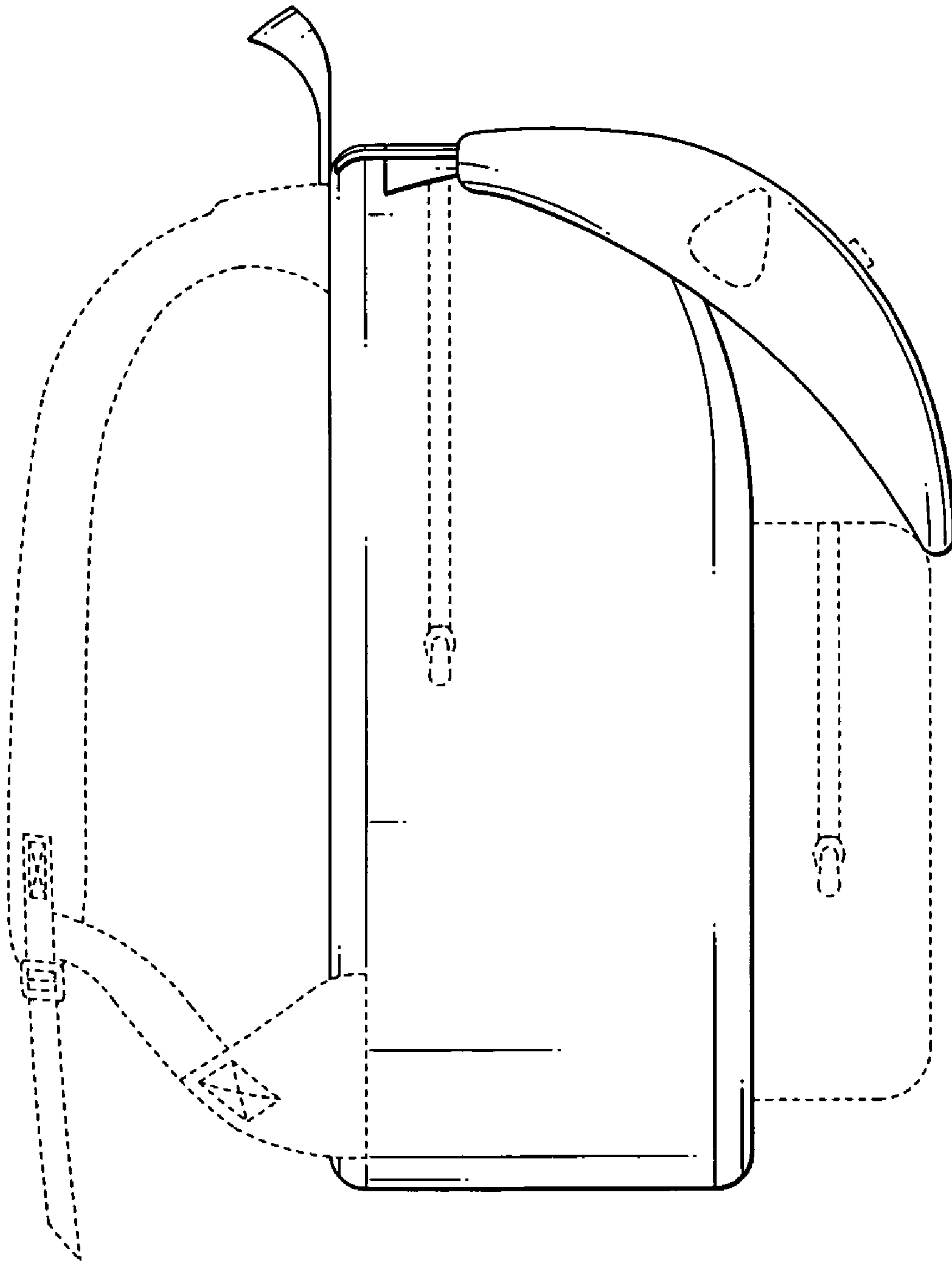


FIG. 33

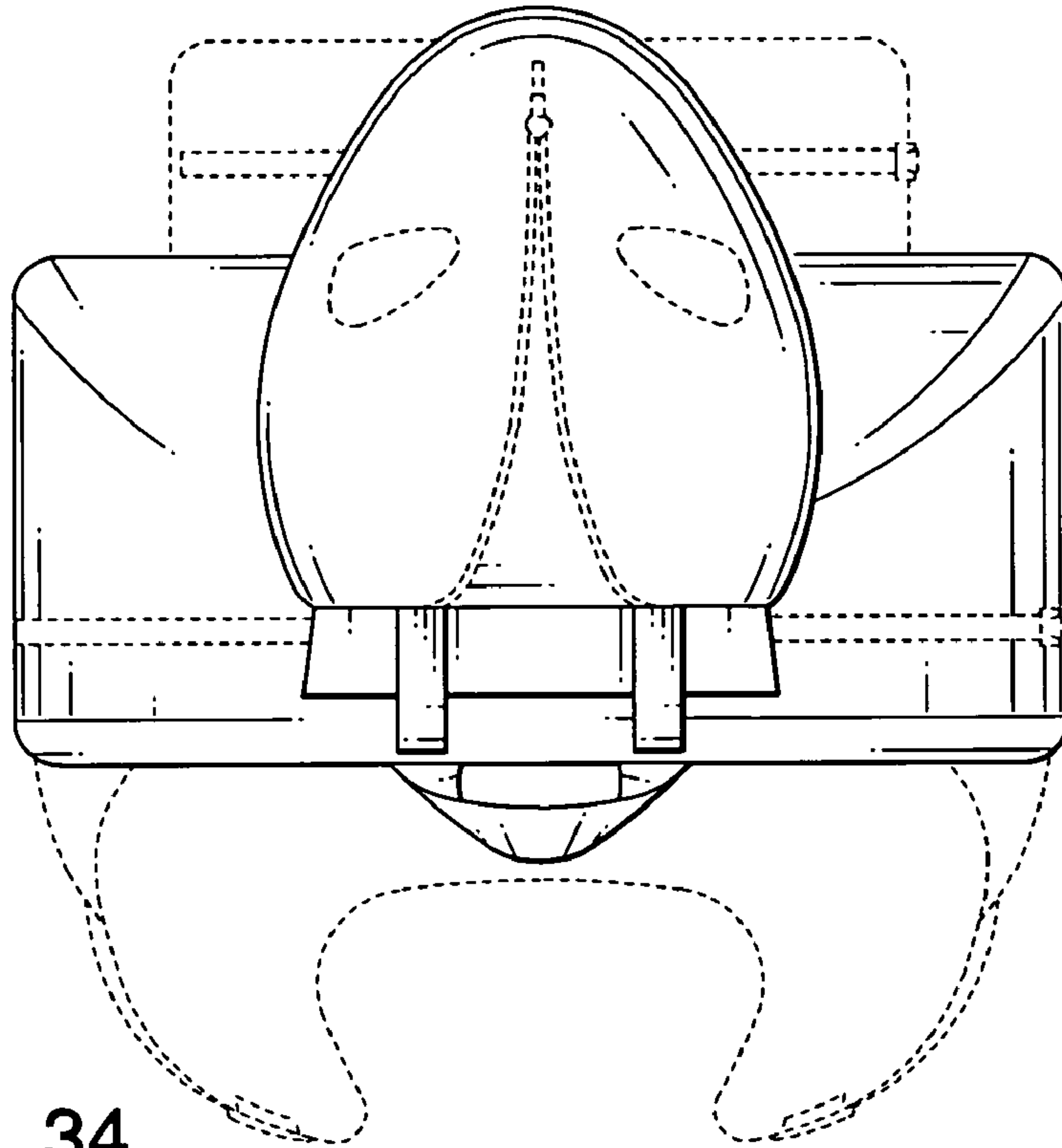


FIG. 34

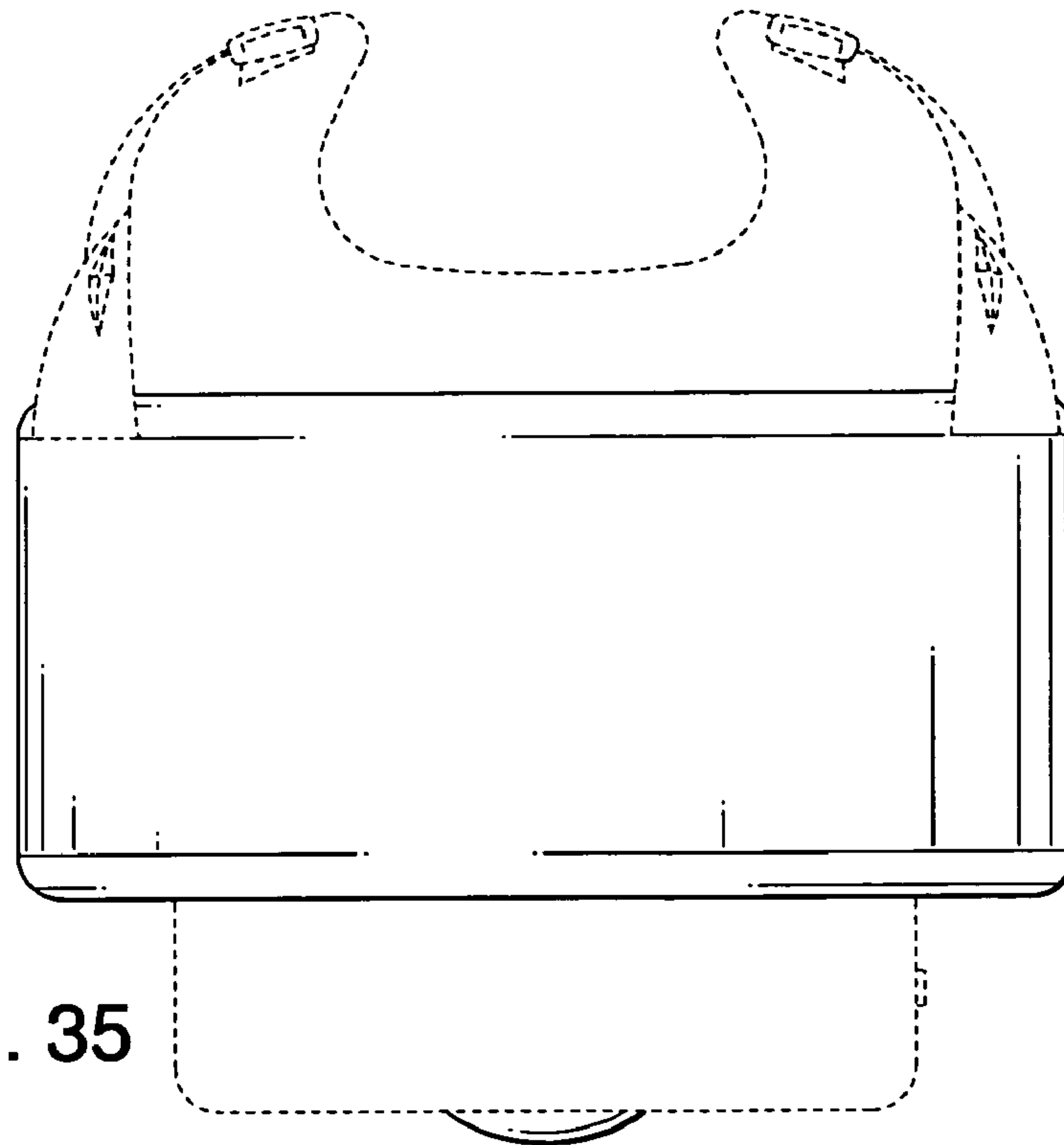


FIG. 35

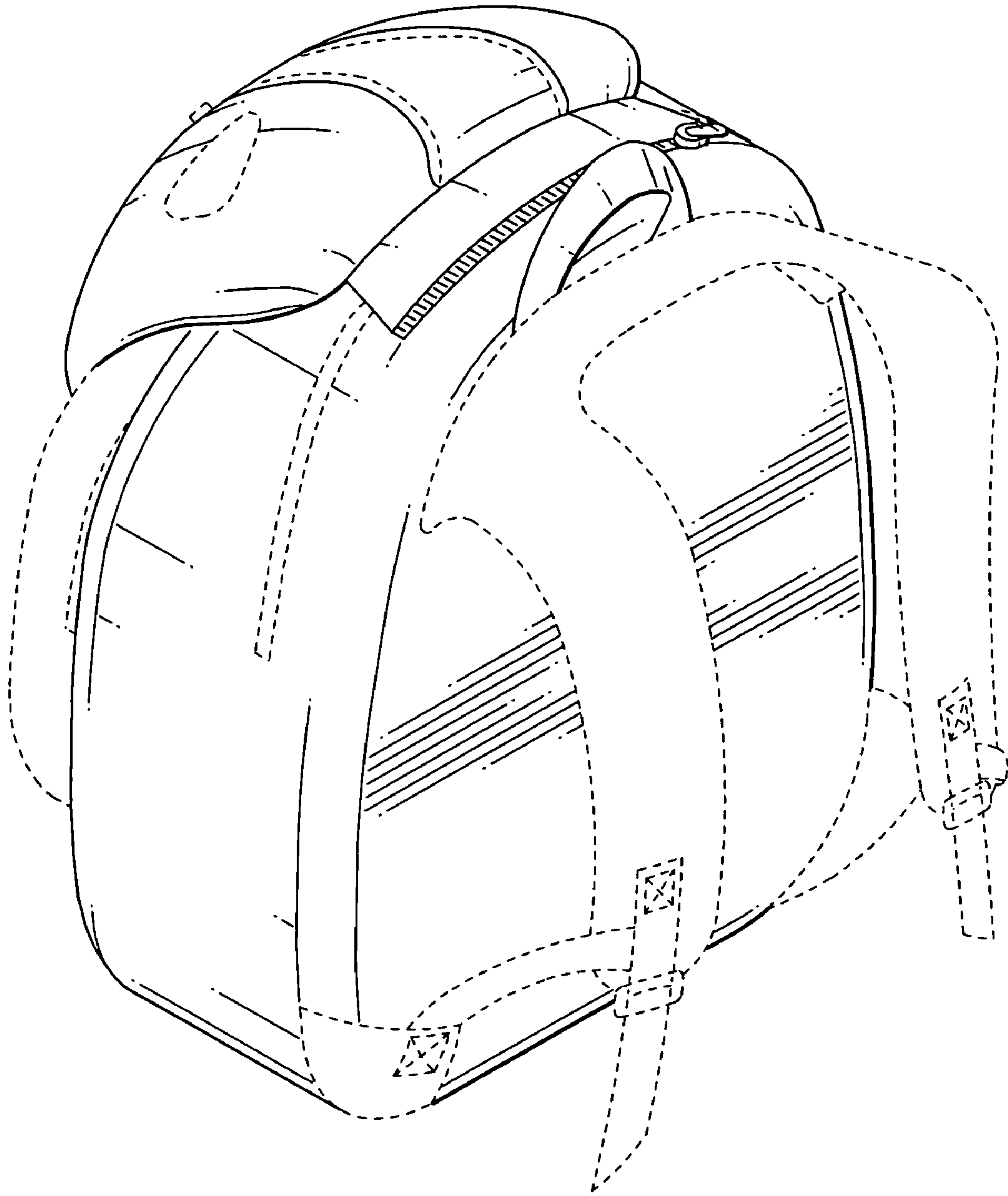


FIG. 36

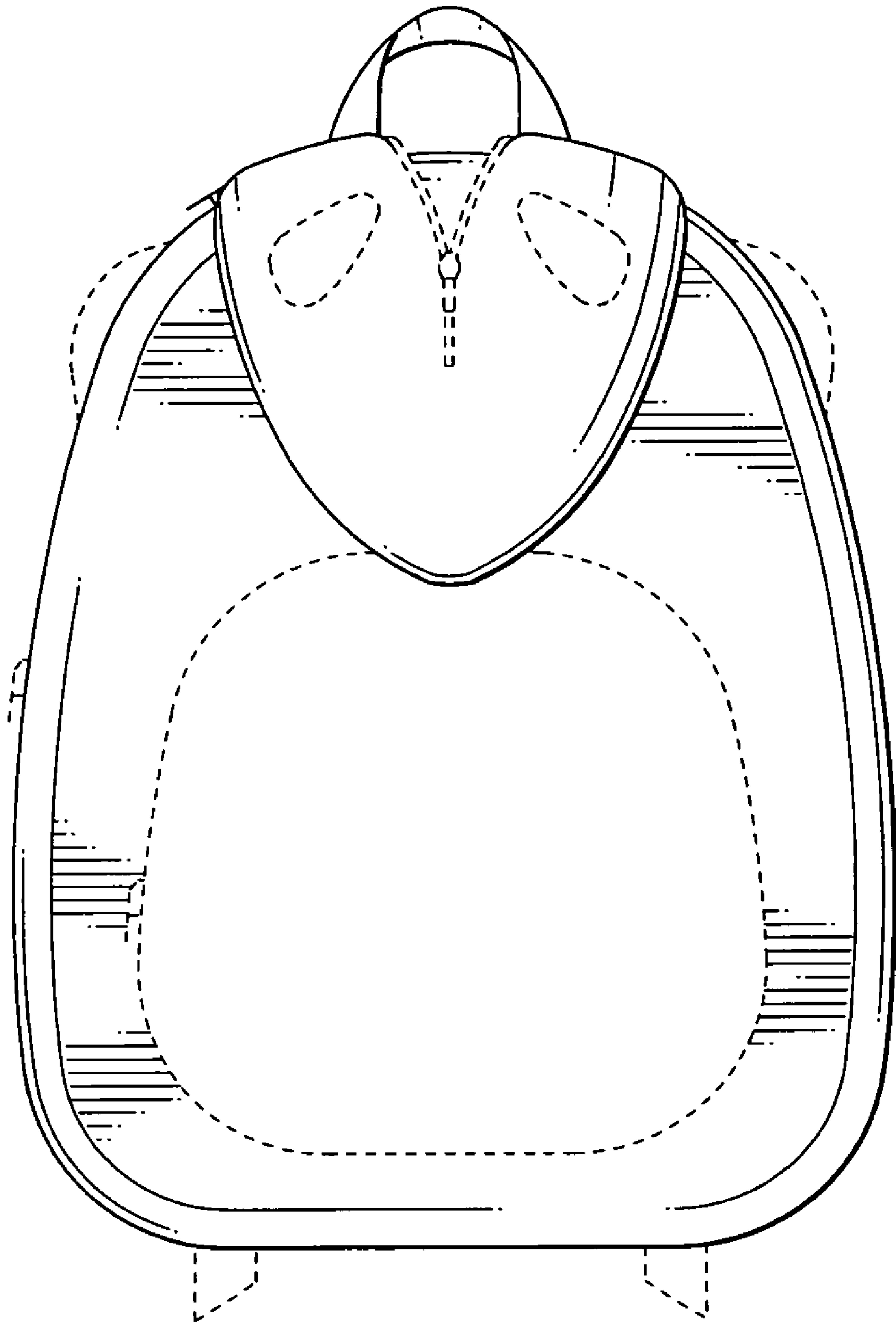


FIG. 37

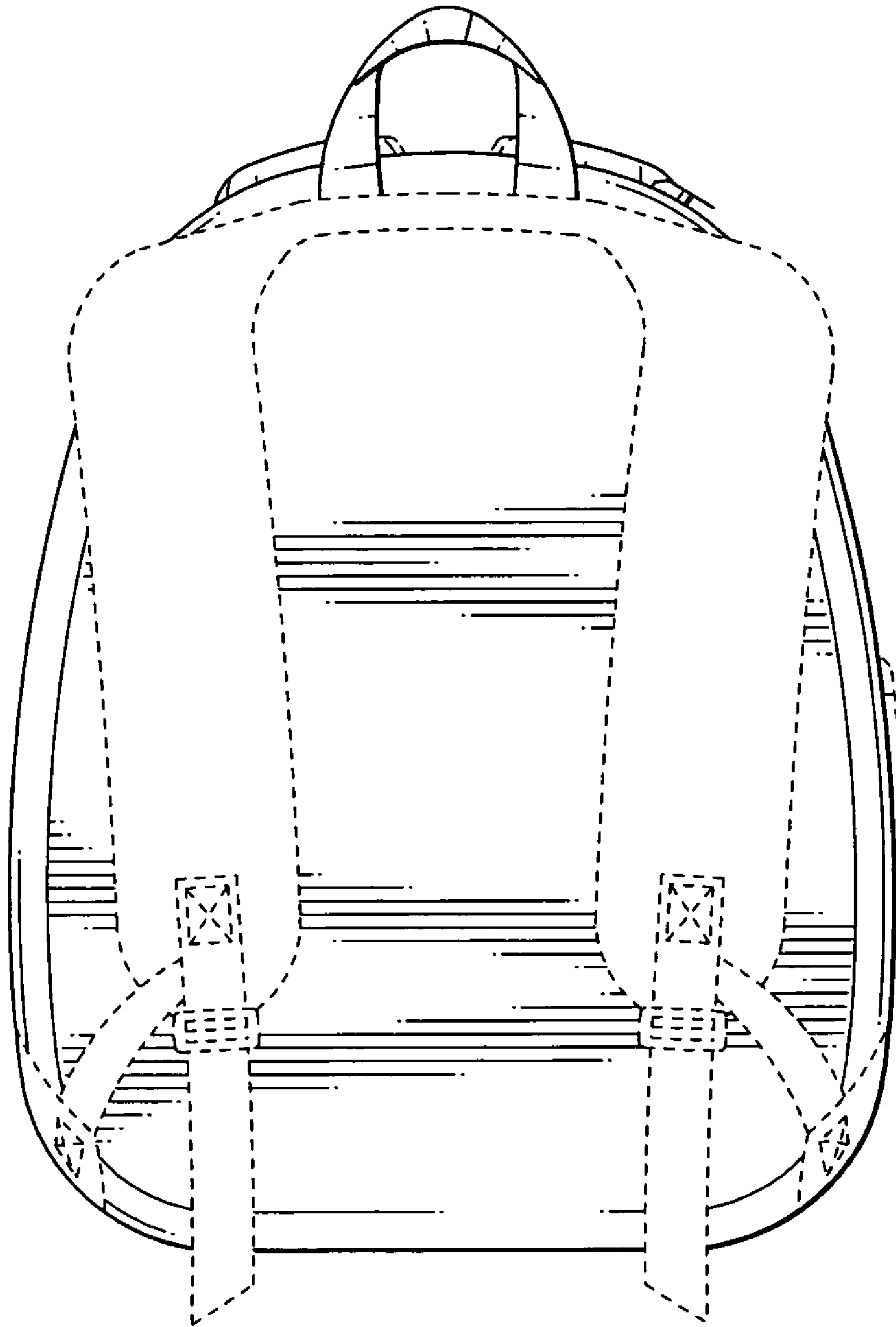


FIG. 38

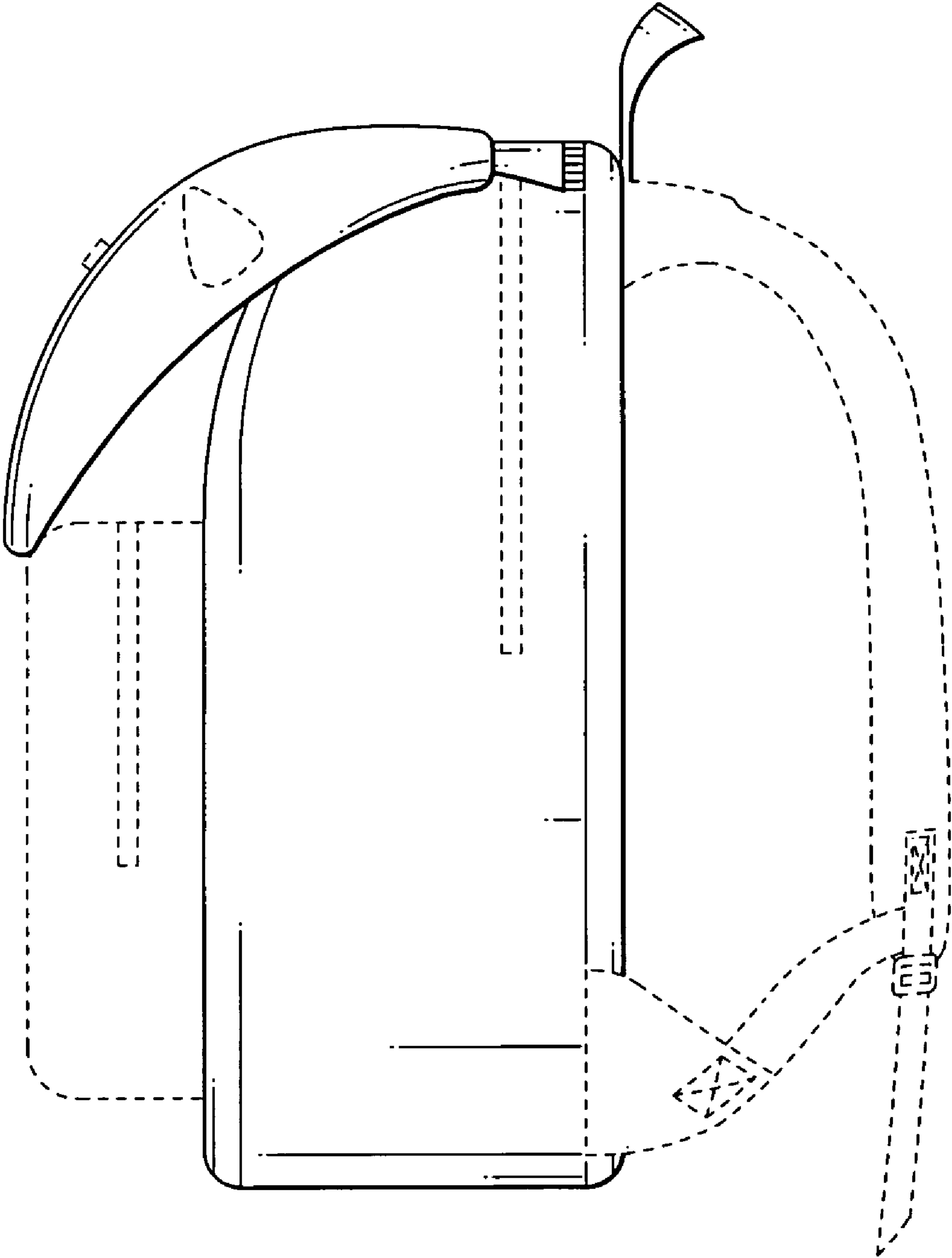


FIG. 39

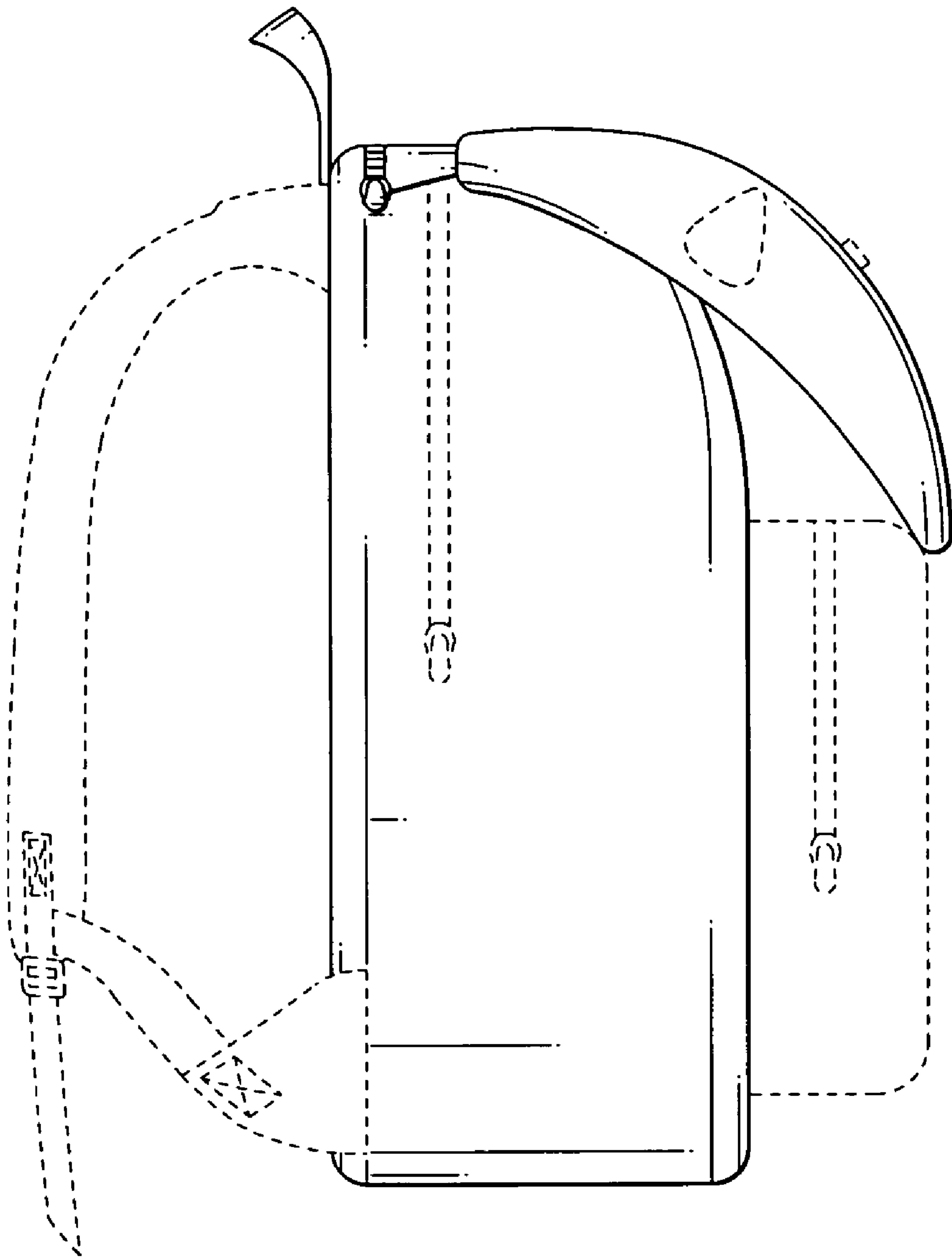


FIG. 40

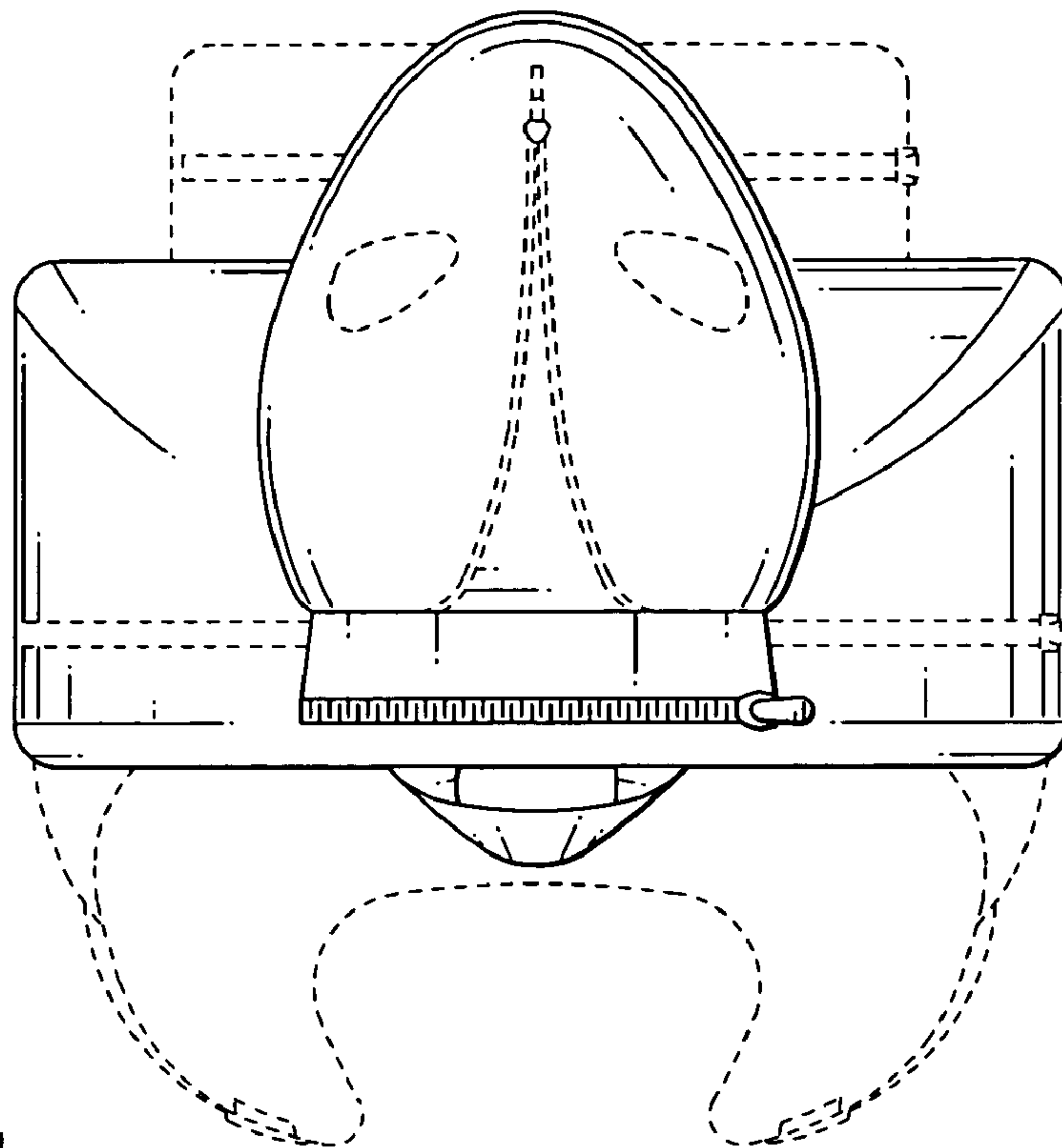


FIG. 41

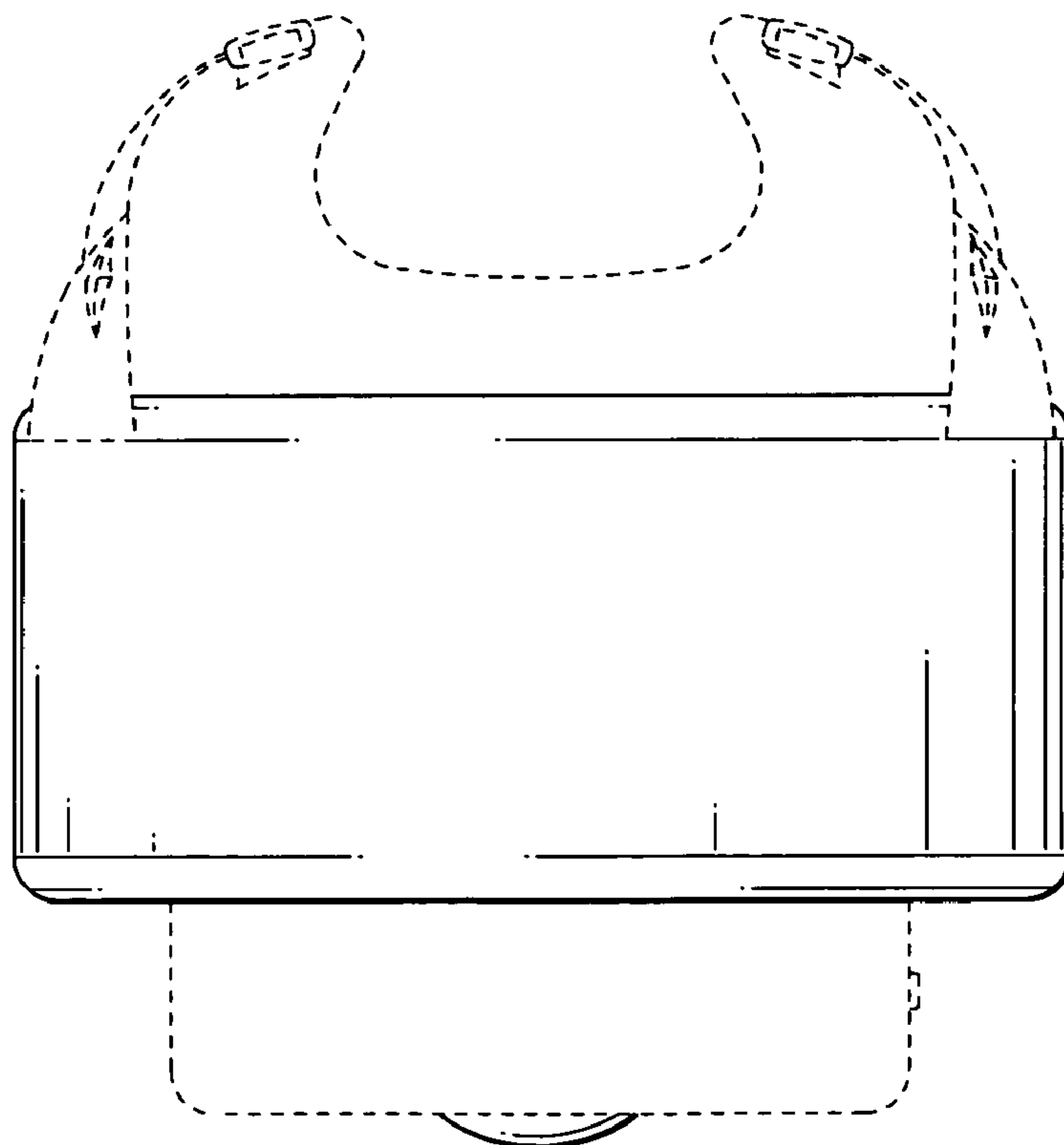


FIG. 42