



US00D635760S

(12) **United States Design Patent**
Torres

(10) **Patent No.:** **US D635,760 S**
(45) **Date of Patent:** **** Apr. 12, 2011**

- (54) **KEY CLIP**
- (76) Inventor: **Rogelio Torres**, San Antonio, TX (US)
- (**) Term: **14 Years**
- (21) Appl. No.: **29/358,503**
- (22) Filed: **Mar. 29, 2010**
- (51) **LOC (9) Cl.** **03-01**
- (52) **U.S. Cl.** **D3/211**
- (58) **Field of Classification Search** D3/211,
D3/207-210; 24/36; 40/330; D8/347; 70/456 B,
70/456 R, 456-458, 460
See application file for complete search history.

D499,543 S * 12/2004 Johnson D3/211
 6,928,845 B2 * 8/2005 Howard 70/408
 D556,445 S * 12/2007 Oas D3/208
 D581,655 S * 12/2008 Johnson D3/211

* cited by examiner

Primary Examiner — Holly H Baynham
Assistant Examiner — Sheryl Lane

(57) **CLAIM**
An ornamental design for a key clip, as shown and described.

DESCRIPTION

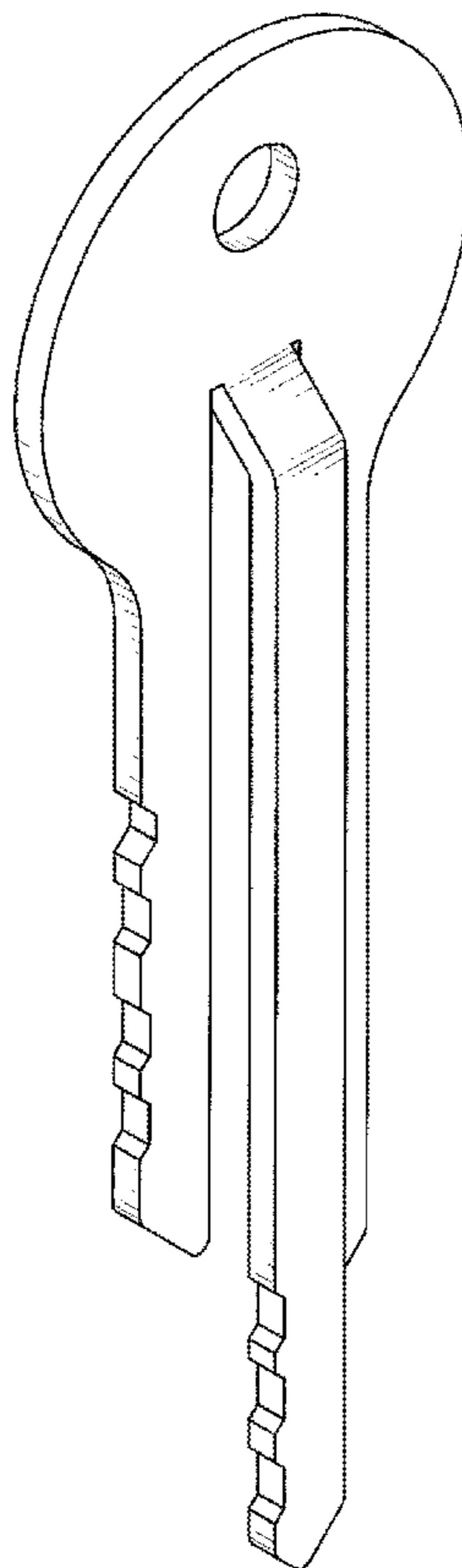
FIG. 1 is a left side frontal perspective view of the key clip showing my new design.
 FIG. 2 is a top view of FIG. 1.
 FIG. 3 is a frontal view of FIG. 1.
 FIG. 4 is a left side elevation view of FIG. 1.
 FIG. 5 is a back view of FIG. 1.
 FIG. 6 is a bottom view of FIG. 1.
 FIG. 7 is a right side elevation view of FIG. 1; and,
 FIG. 8 is a left side frontal environmental perspective view of the key clip.
 The broken line drawing in FIG. 8 is included for the purpose of illustrating environmental structure and forms no part of the claimed design.

(56) **References Cited**

U.S. PATENT DOCUMENTS

| | | | | |
|-----------|-----|---------|----------------|--------|
| 1,425,089 | A | 8/1922 | Henry | |
| 1,886,110 | A | 11/1932 | Lippstadt | |
| 2,231,308 | A | 2/1941 | Walsh | |
| 5,365,760 | A | 11/1994 | Song | |
| D357,051 | S | 4/1995 | Strenkowski | |
| D374,765 | S | 10/1996 | Jones | |
| D389,624 | S * | 1/1998 | Drimmie et al. | D32/46 |
| 5,768,924 | A * | 6/1998 | Song | 70/408 |
| D403,499 | S | 1/1999 | Correlli | |
| D439,401 | S | 3/2001 | Johnson | |
| D478,207 | S * | 8/2003 | Johnson | D3/207 |

1 Claim, 4 Drawing Sheets



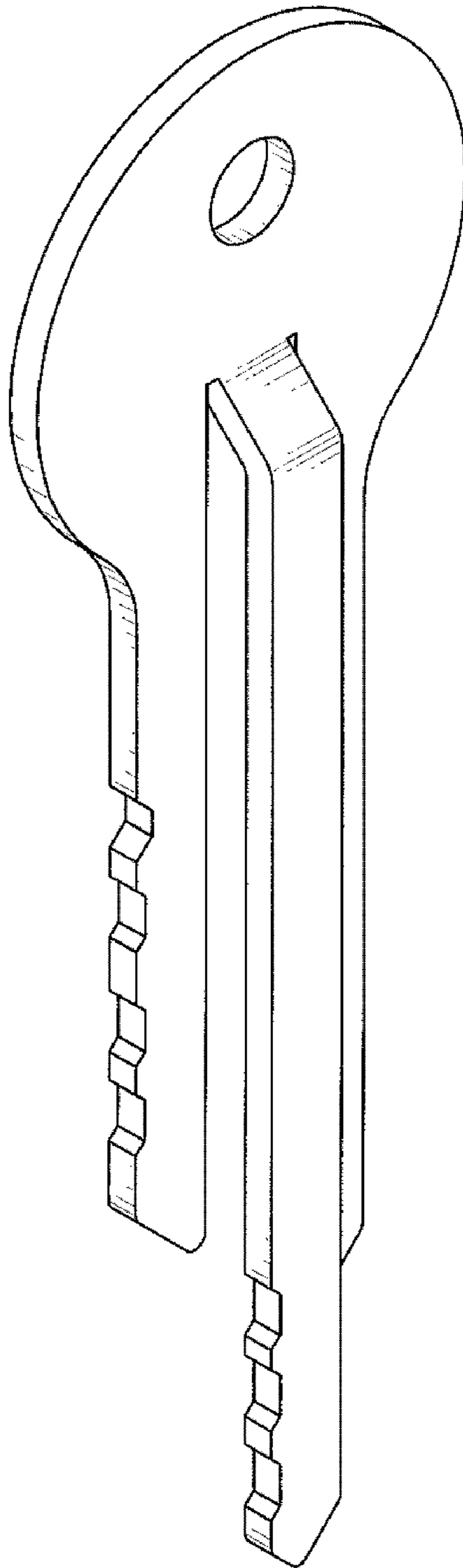


Fig. 1

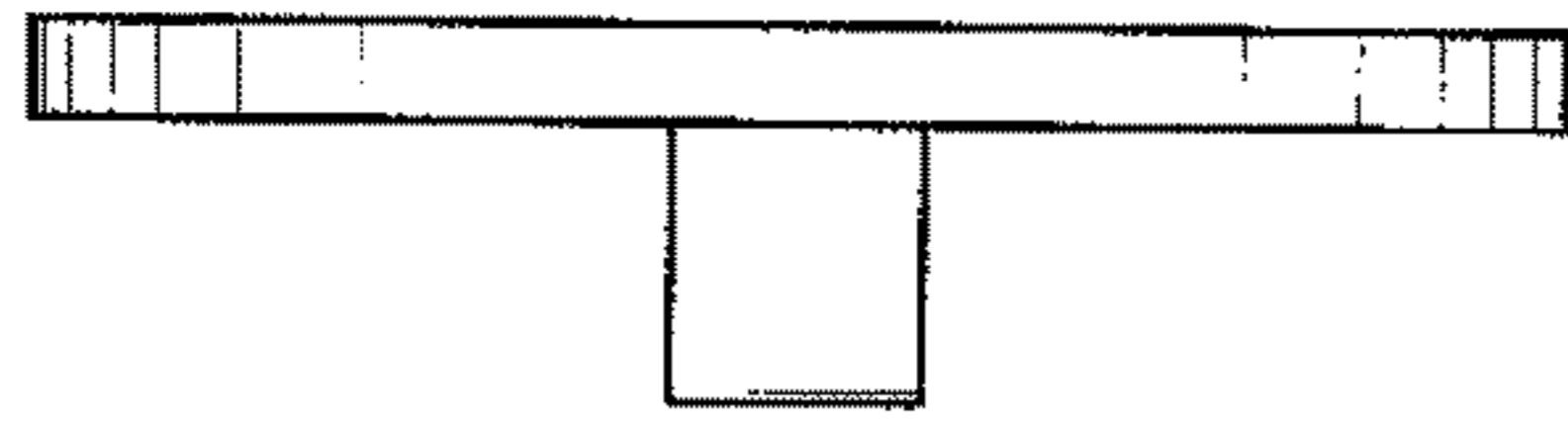


Fig. 2

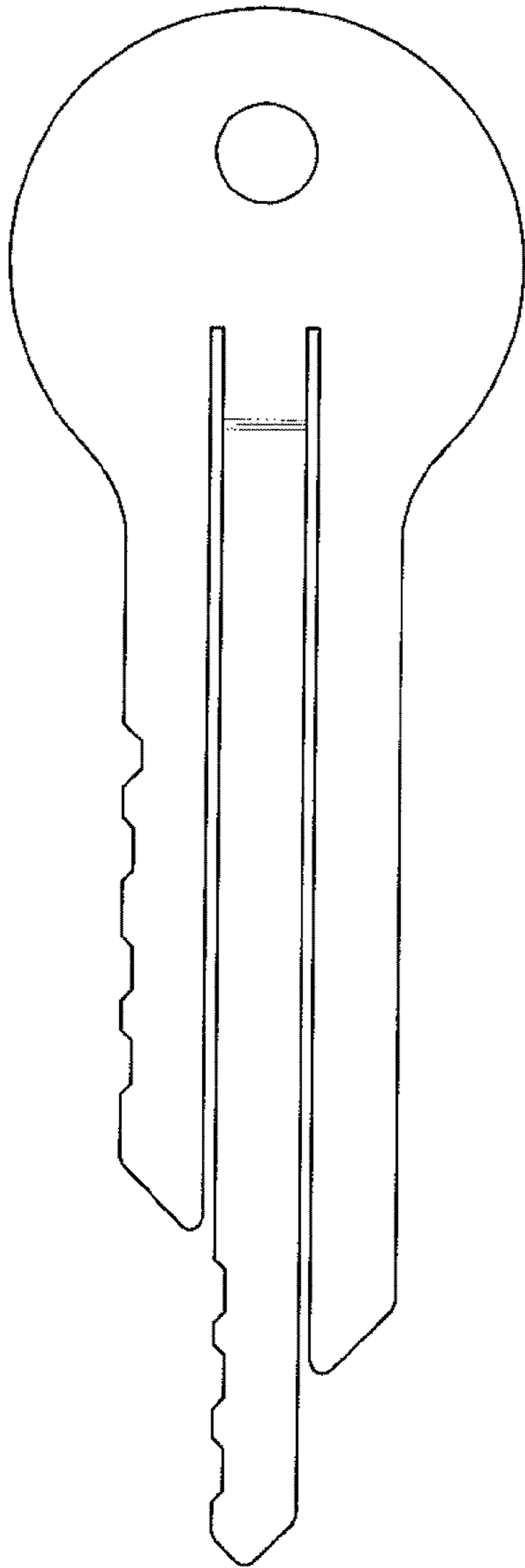


Fig. 3

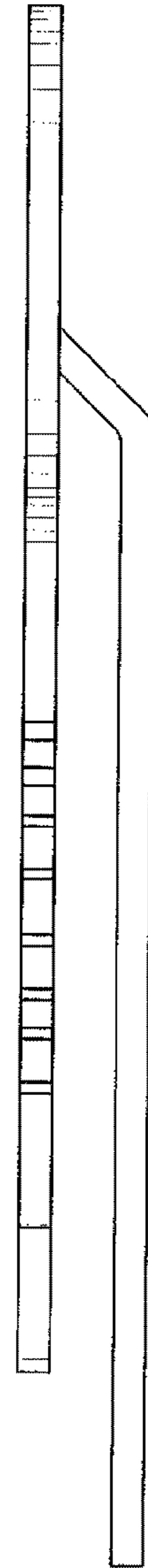


Fig. 4

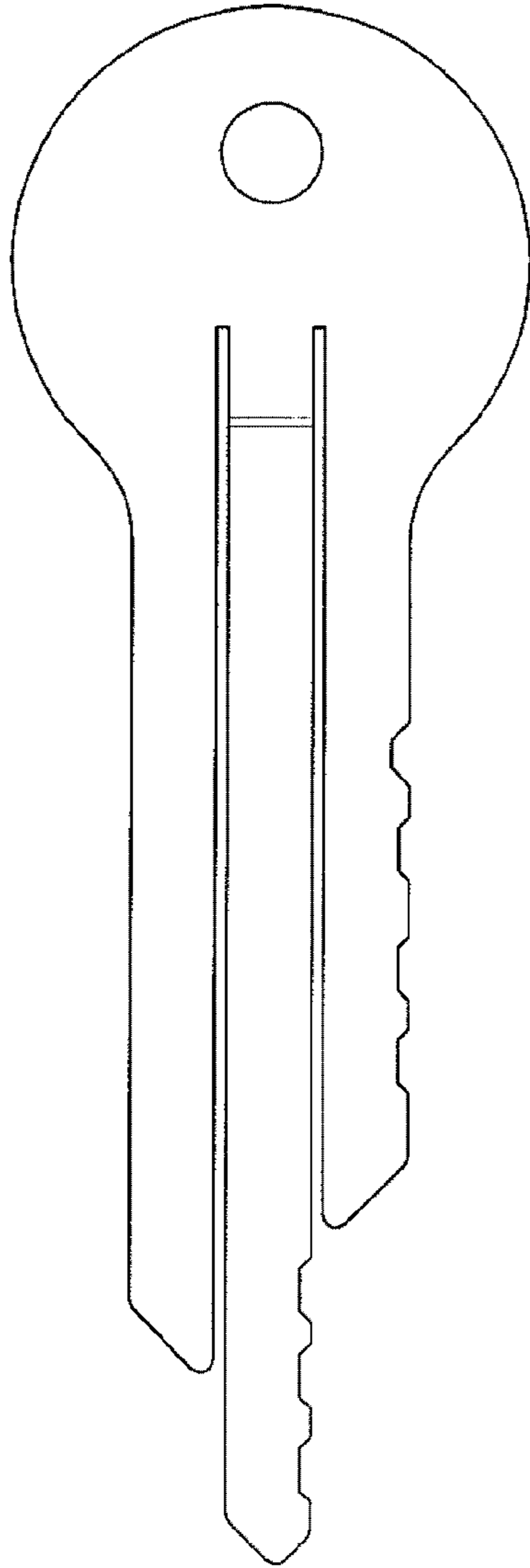


Fig. 5

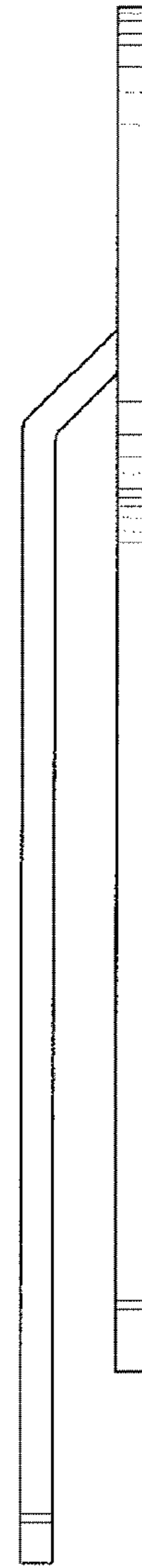


Fig. 7

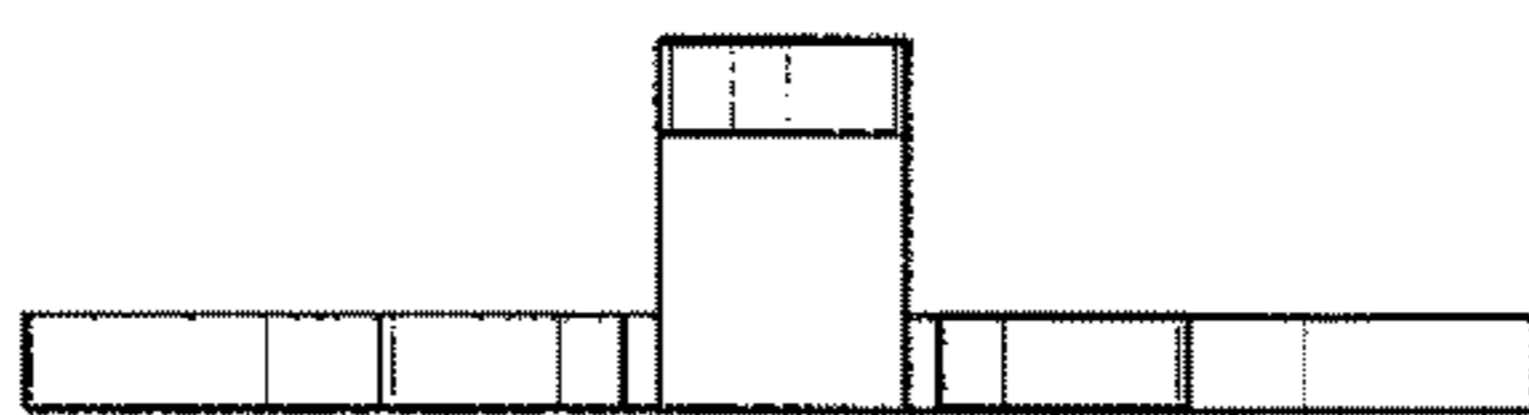


Fig. 6

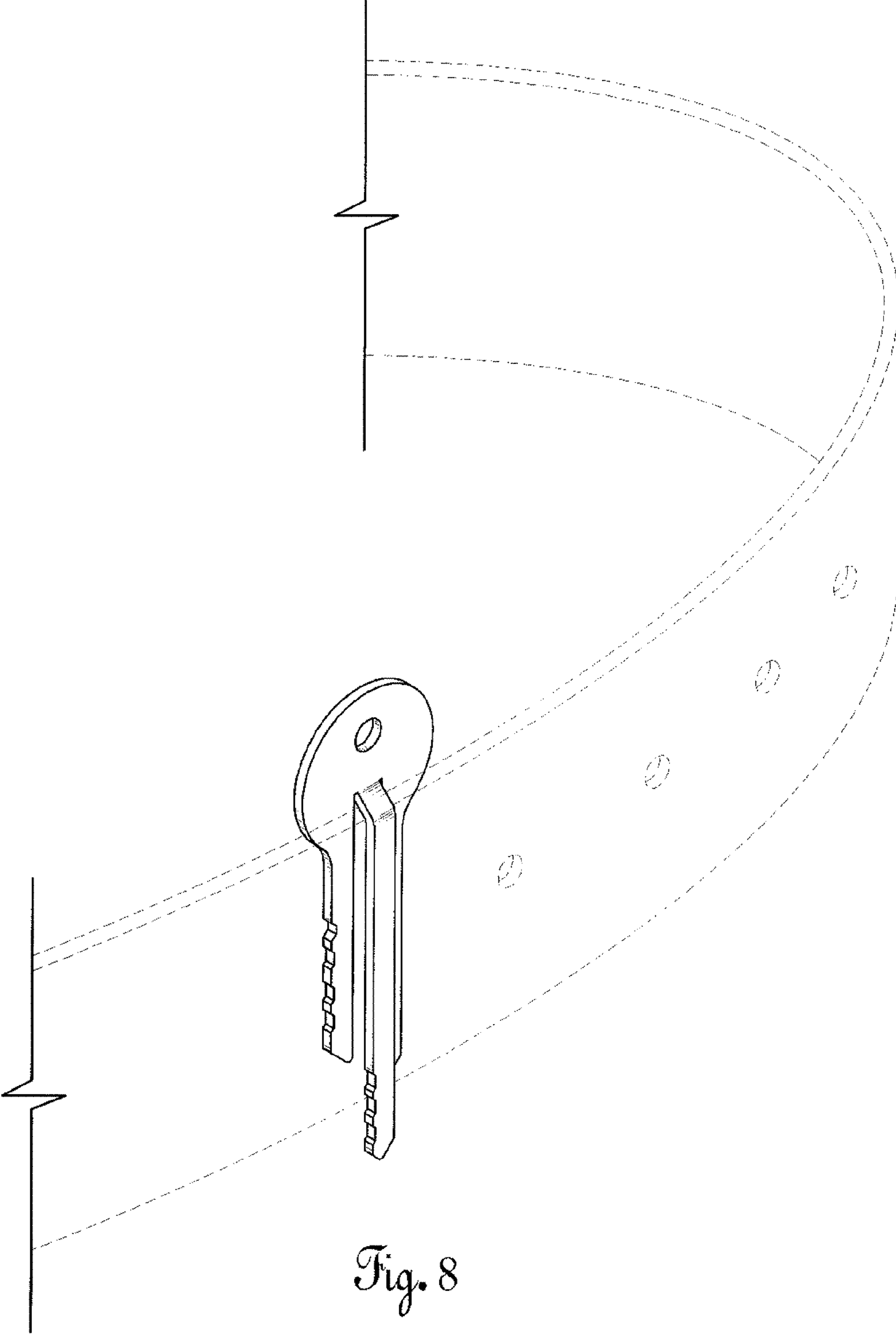


Fig. 8