



US00D635733S

(12) **United States Design Patent**
Willig et al.

(10) **Patent No.:** **US D635,733 S**
(45) **Date of Patent:** **** Apr. 5, 2011**

(54) **SHOPPING CART HANDLE COVER**

(76) Inventors: **Sally A Willig**, Saugerties, NY (US);
Jan D Louis, Saugerties, NY (US)

(**) Term: **14 Years**

(21) Appl. No.: **29/349,799**

(22) Filed: **May 3, 2010**

(51) **LOC (9) Cl.** **12-02**

(52) **U.S. Cl.** **D34/27**

(58) **Field of Classification Search** D34/12-27;
280/33.992, 33.991, 33.993, 47.17; 150/153,
150/154; D25/144

See application file for complete search history.

(56) **References Cited**

U.S. PATENT DOCUMENTS

D298,077	S	*	10/1988	Goodwin	D34/27
4,868,544	A	*	9/1989	Havens	340/568.5
4,955,914	A		9/1990	Caniglia et al.	606/235
5,215,319	A		6/1993	Farris	280/33.992
5,255,930	A	*	10/1993	Jones et al.	280/33.992
D341,691	S	*	11/1993	Begum et al.	D34/27
D370,110	S	*	5/1996	Beam	D34/27
5,722,672	A		3/1998	Frederick	280/33.992
5,820,142	A		10/1998	Duer	280/33.992
D412,609	S		8/1999	Karp et al.	D34/27
D425,681	S	*	5/2000	Johnson et al.	D34/27
6,065,764	A		5/2000	Moseley	280/33.992

6,817,066	B1		11/2004	Williams et al.	16/435
6,981,707	B1	*	1/2006	Dandy	280/33.992
D521,207	S		5/2006	Anderson et al.	D34/27
D525,008	S	*	7/2006	Hubbard	D34/27
7,104,552	B2	*	9/2006	Swanson et al.	280/33.991
7,287,764	B2	*	10/2007	Russell et al.	280/47.23
D605,824	S	*	12/2009	DiMento	D34/27
2004/0061297	A1	*	4/2004	Booker	280/33.993
2007/0085283	A1	*	4/2007	Ryan	280/33.992
2008/0100010	A1	*	5/2008	Russell et al.	280/33.993
2008/0303230	A1	*	12/2008	Somberg	280/33.992
2009/0058024	A1	*	3/2009	Cagan et al.	280/33.991

* cited by examiner

Primary Examiner — Cynthia E Ramirez

(74) *Attorney, Agent, or Firm* — Goldstein Law Offices P.C.

(57) **CLAIM**

The ornamental design for a shopping cart handle cover, as shown and described.

DESCRIPTION

FIG. 1 is a perspective view of the shopping cart handle cover in full lines.

FIG. 2 is a front elevational view of the shopping cart handle.

FIG. 3 is a rear elevational view thereof.

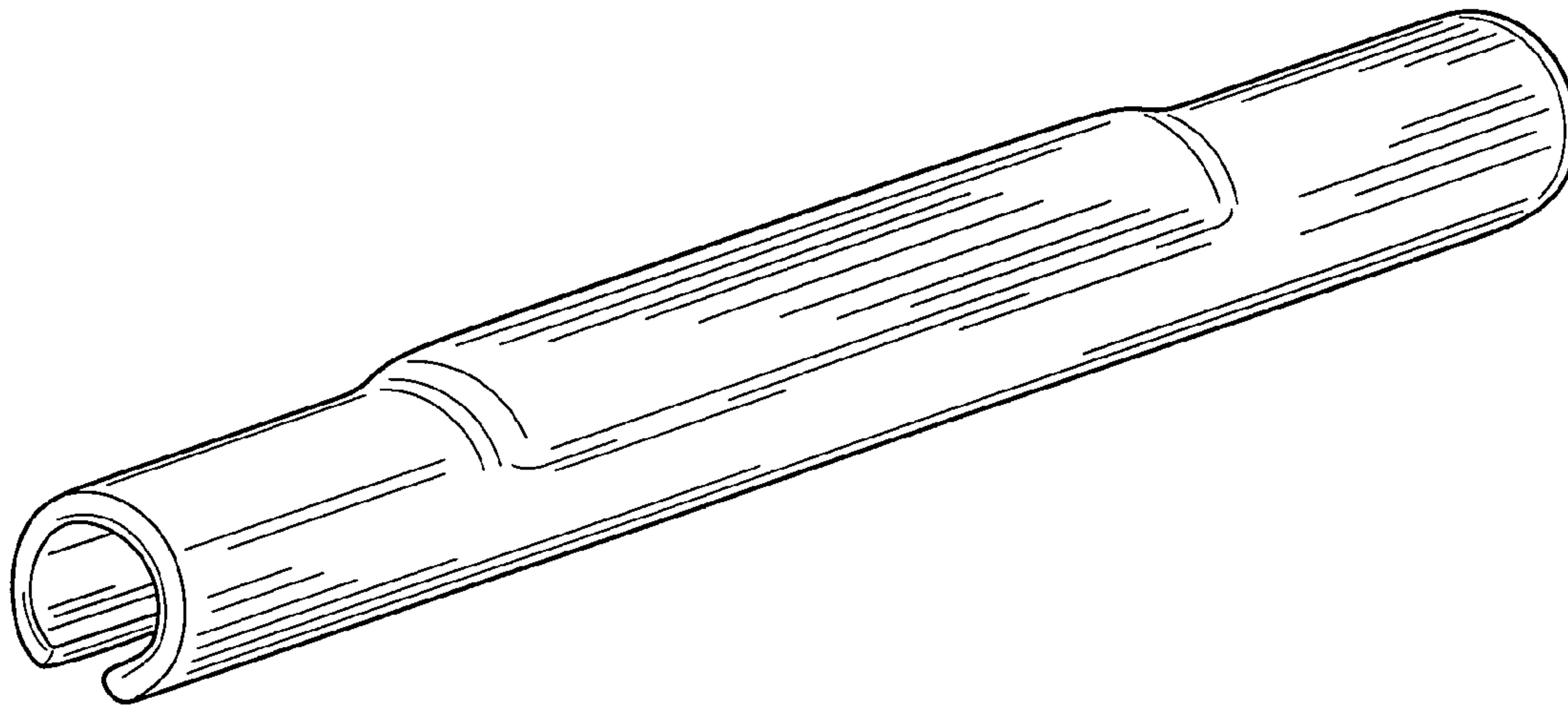
FIG. 4 is a top plan view thereof.

FIG. 5 is a bottom plan view thereof.

FIG. 6 is a right side elevational view thereof; and,

FIG. 7 is a left side elevational view thereof.

1 Claim, 4 Drawing Sheets



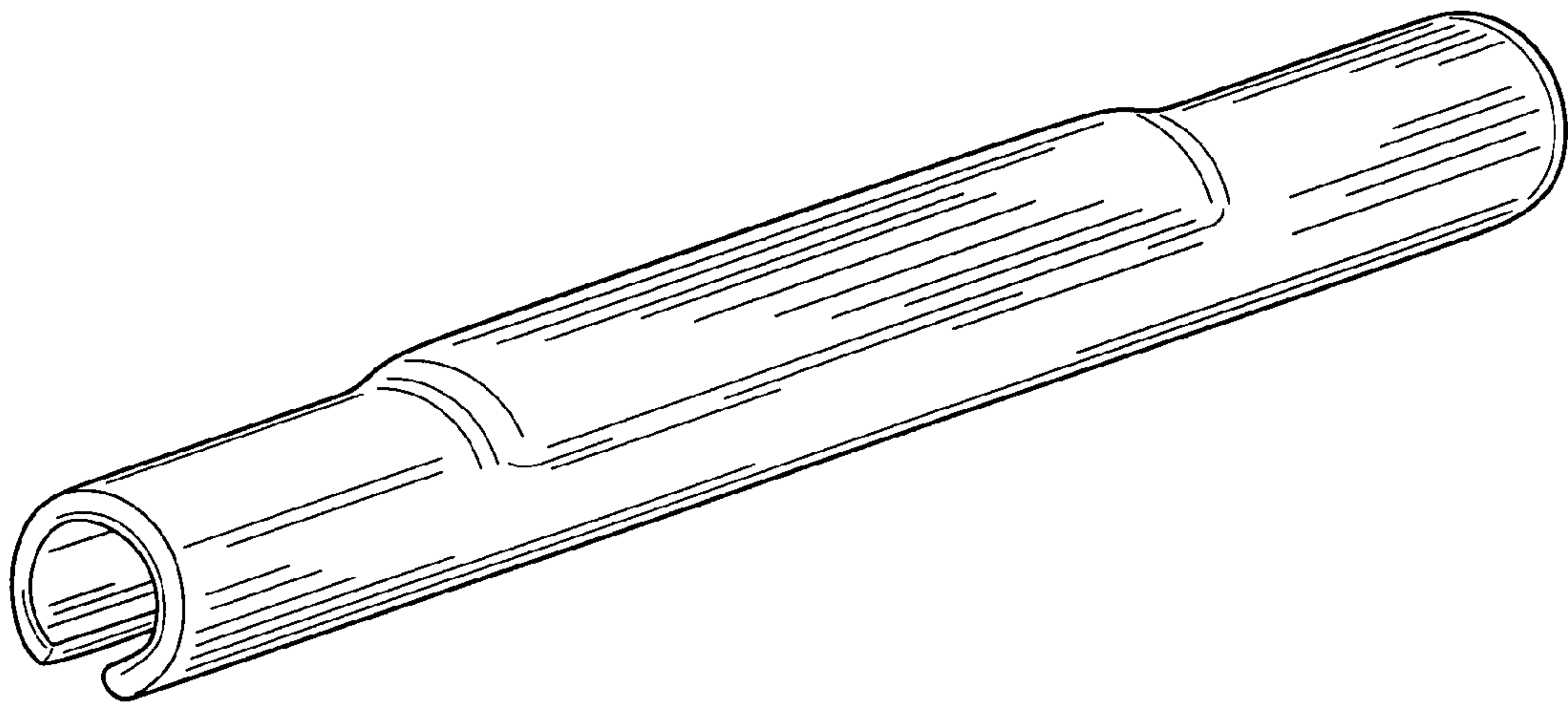


FIG. 1

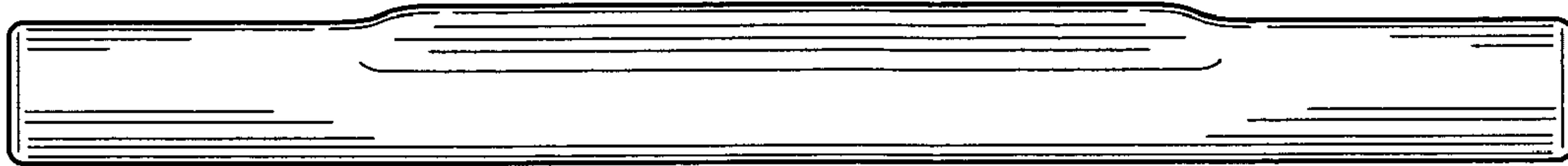


FIG. 2

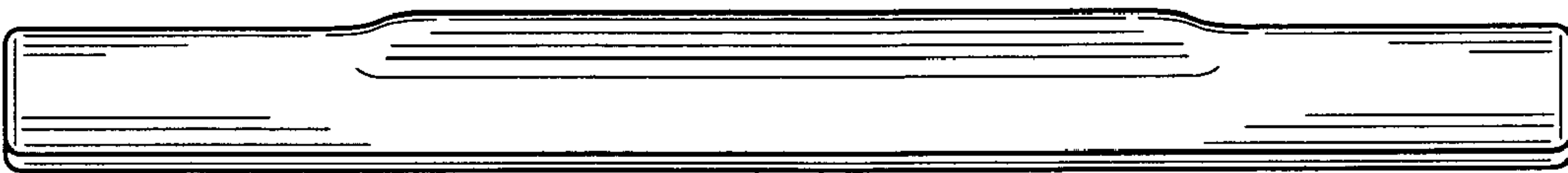


FIG. 3

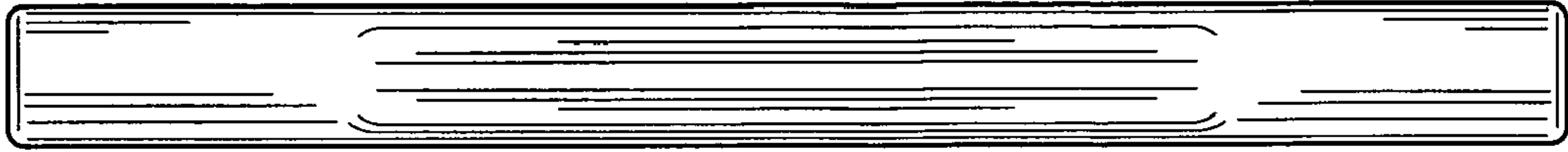


FIG. 4

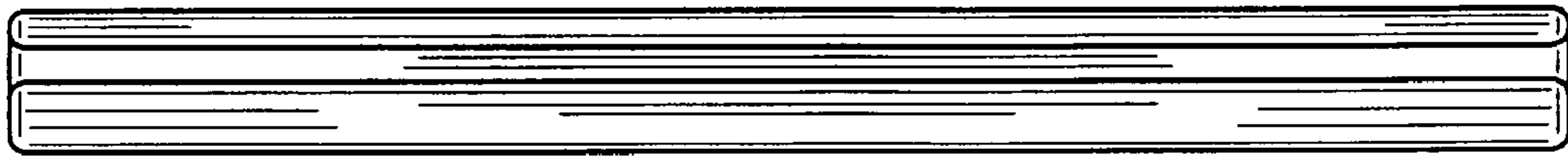


FIG. 5

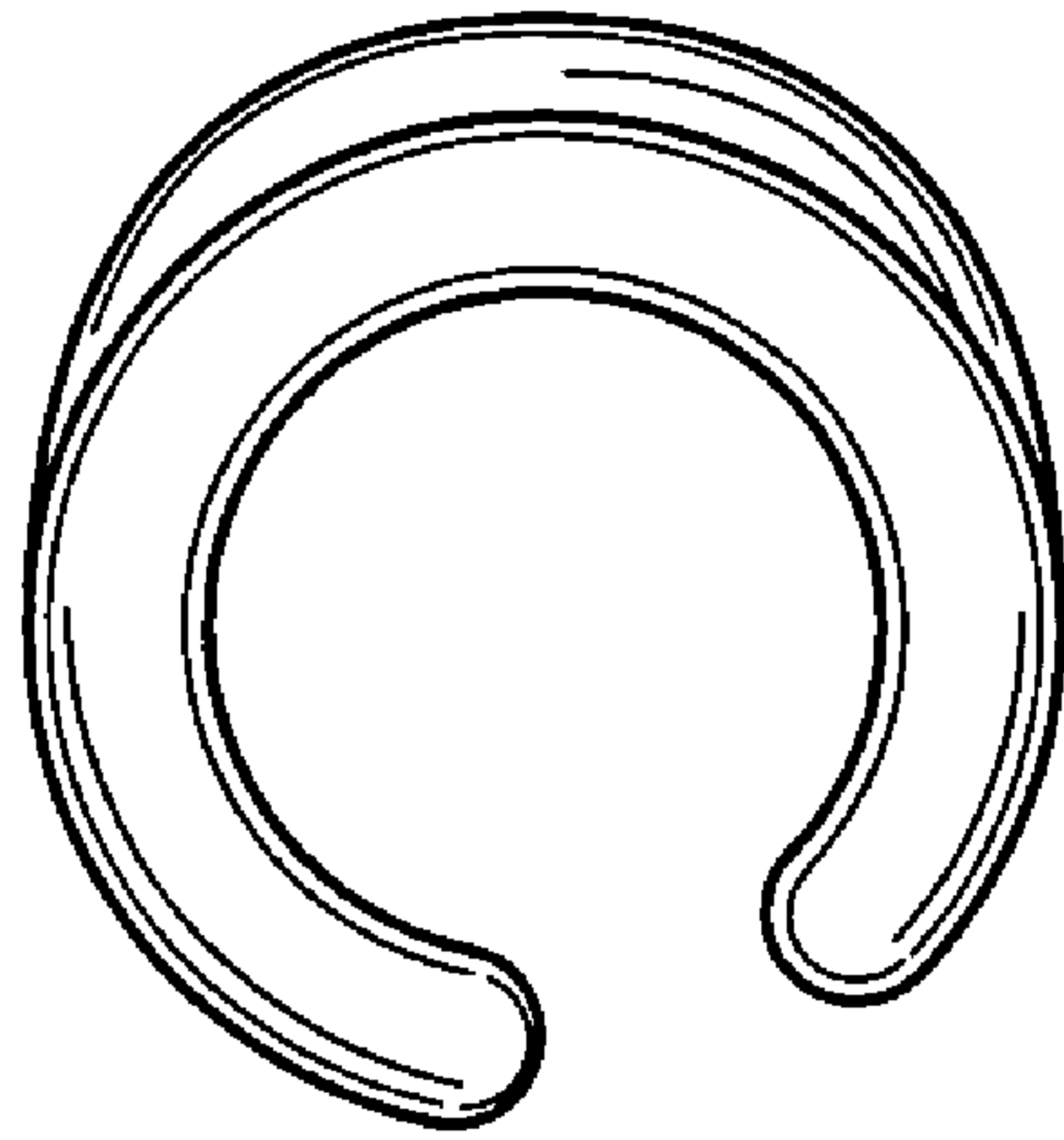


FIG. 6

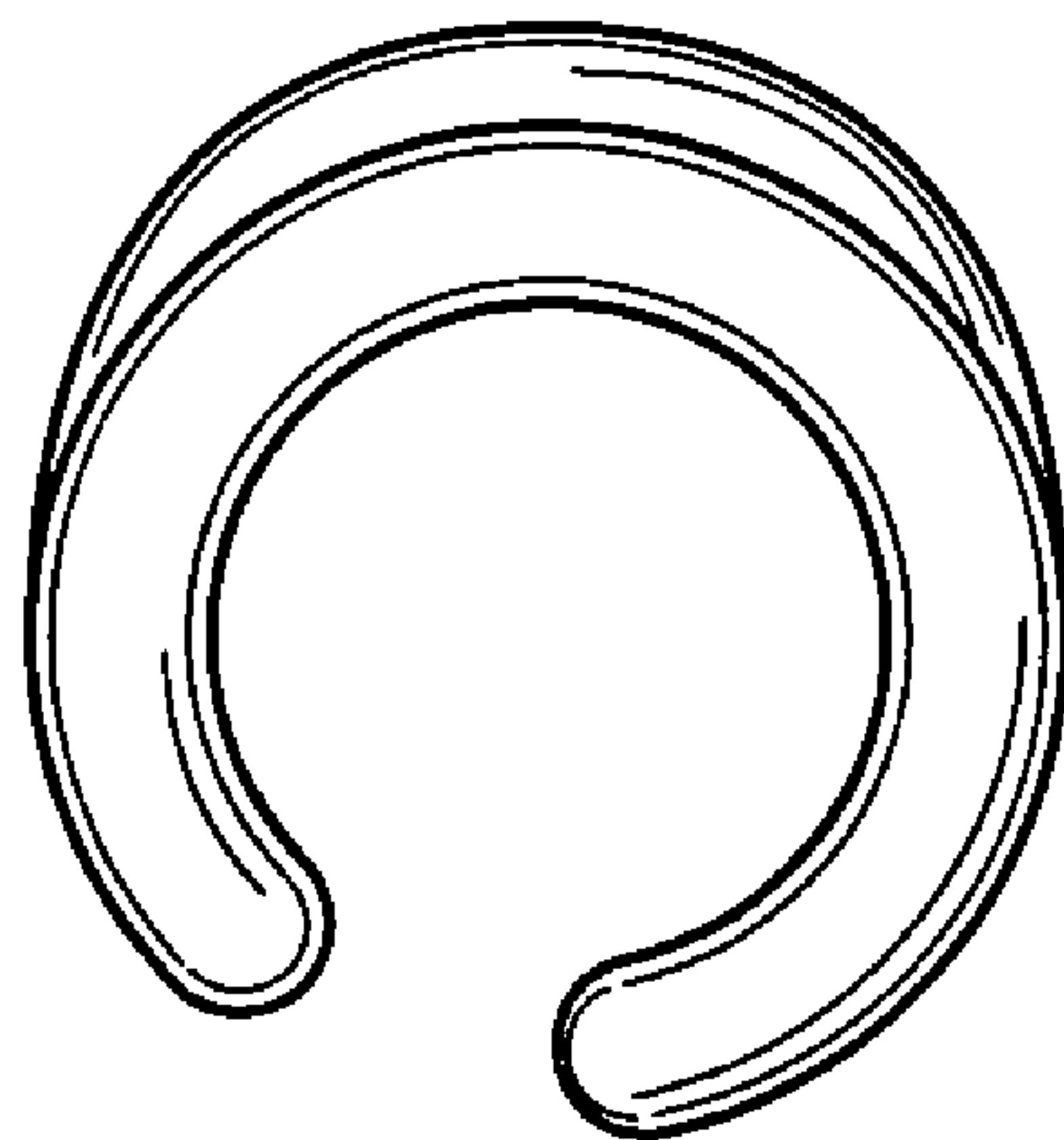


FIG. 7