



US00D635731S

(12) **United States Design Patent**
Schloemer

(10) **Patent No.:** **US D635,731 S**

(45) **Date of Patent:** **** Apr. 5, 2011**

(54) **CART**

(75) **Inventor:** **Garry Schloemer**, Cincinnati, OH (US)

(73) **Assignee:** **Schloemer Mattress Outlets, Inc.**,
Cincinnati, OH (US)

(**) **Term:** **14 Years**

(21) **Appl. No.:** **29/359,971**

(22) **Filed:** **Apr. 19, 2010**

(51) **LOC (9) Cl.** **12-02**

(52) **U.S. Cl.** **D34/12**

(58) **Field of Classification Search** D34/12-27;
280/47.29, 47.23, 47.113, 79.11, 47.17, 652,
280/47.27

See application file for complete search history.

(56) **References Cited**

U.S. PATENT DOCUMENTS

D220,666	S	5/1971	Lillibridge	
3,734,526	A	5/1973	Propst et al.	
4,178,006	A	12/1979	Johnson	
4,299,403	A *	11/1981	Brewer et al.	280/47.29
4,588,197	A	5/1986	Benedetto, Jr.	
4,784,405	A *	11/1988	Stein	280/655
D303,030	S	8/1989	Goldston	
4,968,049	A	11/1990	Johnson	
5,163,695	A	11/1992	Pakowsky	
D333,200	S	2/1993	Berrian	
D338,759	S *	8/1993	Ocuin	D34/23
5,810,543	A *	9/1998	Hall	414/490
D424,266	S *	5/2000	McIntyre	D34/24

6,116,623	A *	9/2000	Salvucci	280/47.26
6,736,437	B2	5/2004	Freeland	
6,938,905	B1 *	9/2005	Tsai	280/47.29
6,979,035	B2	12/2005	Freeland	
D530,878	S	10/2006	Ruppert et al.	
7,195,255	B1 *	3/2007	Tsai et al.	280/47.29
D590,110	S *	4/2009	Hawkins	D32/25
D594,622	S	6/2009	Kissum	
D622,471	S *	8/2010	Hernandez	D34/12
2004/0183267	A1	9/2004	Tokarev	
2006/0232034	A1	10/2006	Skiles	
2008/0104753	A1	5/2008	Kajdas	
2008/0235871	A1	10/2008	York	
2009/0026735	A1	1/2009	Watzke	

* cited by examiner

Primary Examiner — Cynthia E Ramirez

(74) *Attorney, Agent, or Firm* — Lafkas LLC; David M. Lafkas

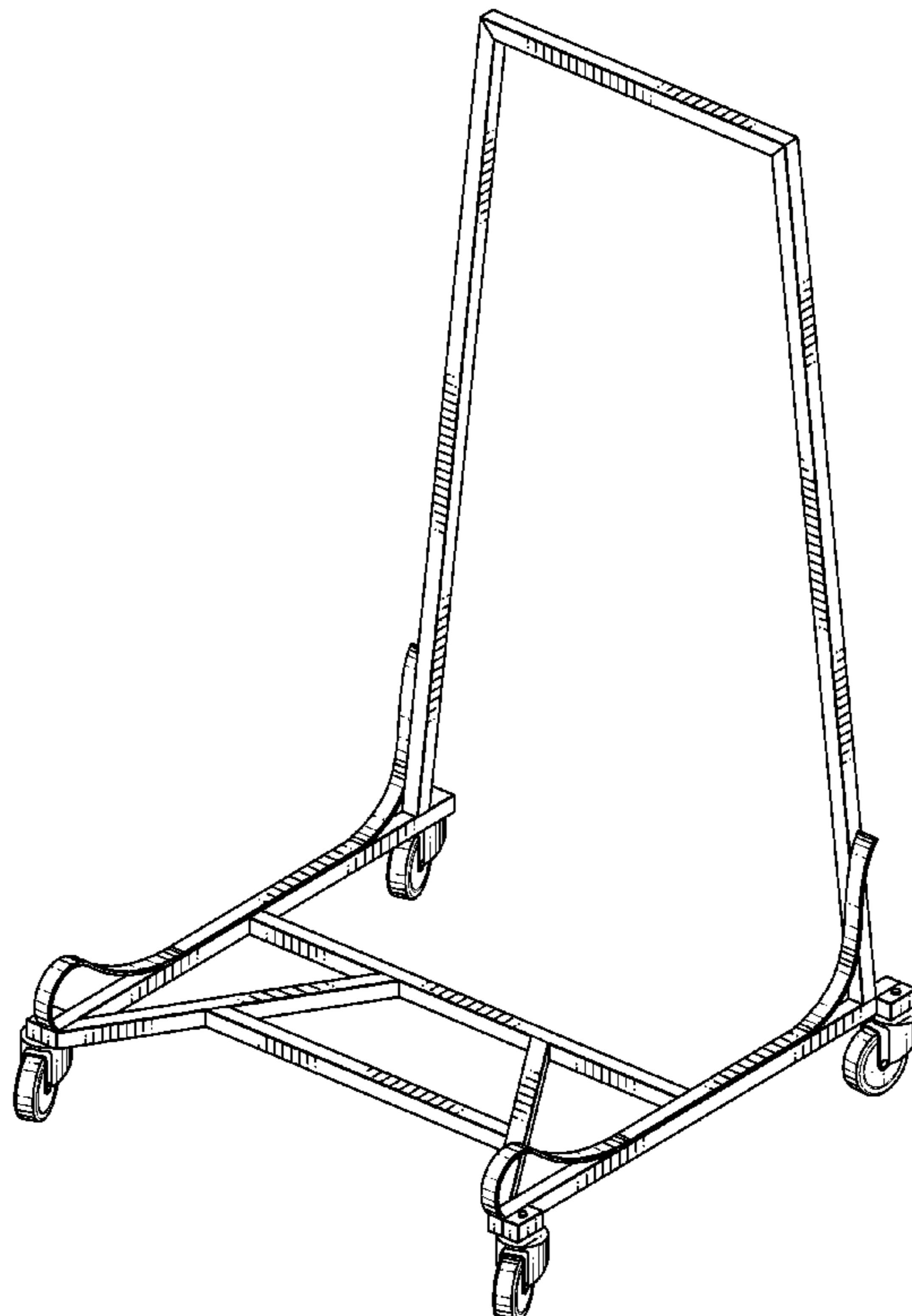
(57) **CLAIM**

The ornamental design for a cart, as shown and designed.

DESCRIPTION

FIG. 1 is a perspective view of the cart of the present invention;
FIG. 2 is a front view of the cart of the present invention;
FIG. 3 is a rear view of the cart of the present invention;
FIG. 4 is a side view of the cart of the present invention, the right side view and the left side view being mirror images of each other;
FIG. 5 is a top view of the cart of the present invention; and,
FIG. 6 is a bottom view of the cart of the present invention.

1 Claim, 6 Drawing Sheets



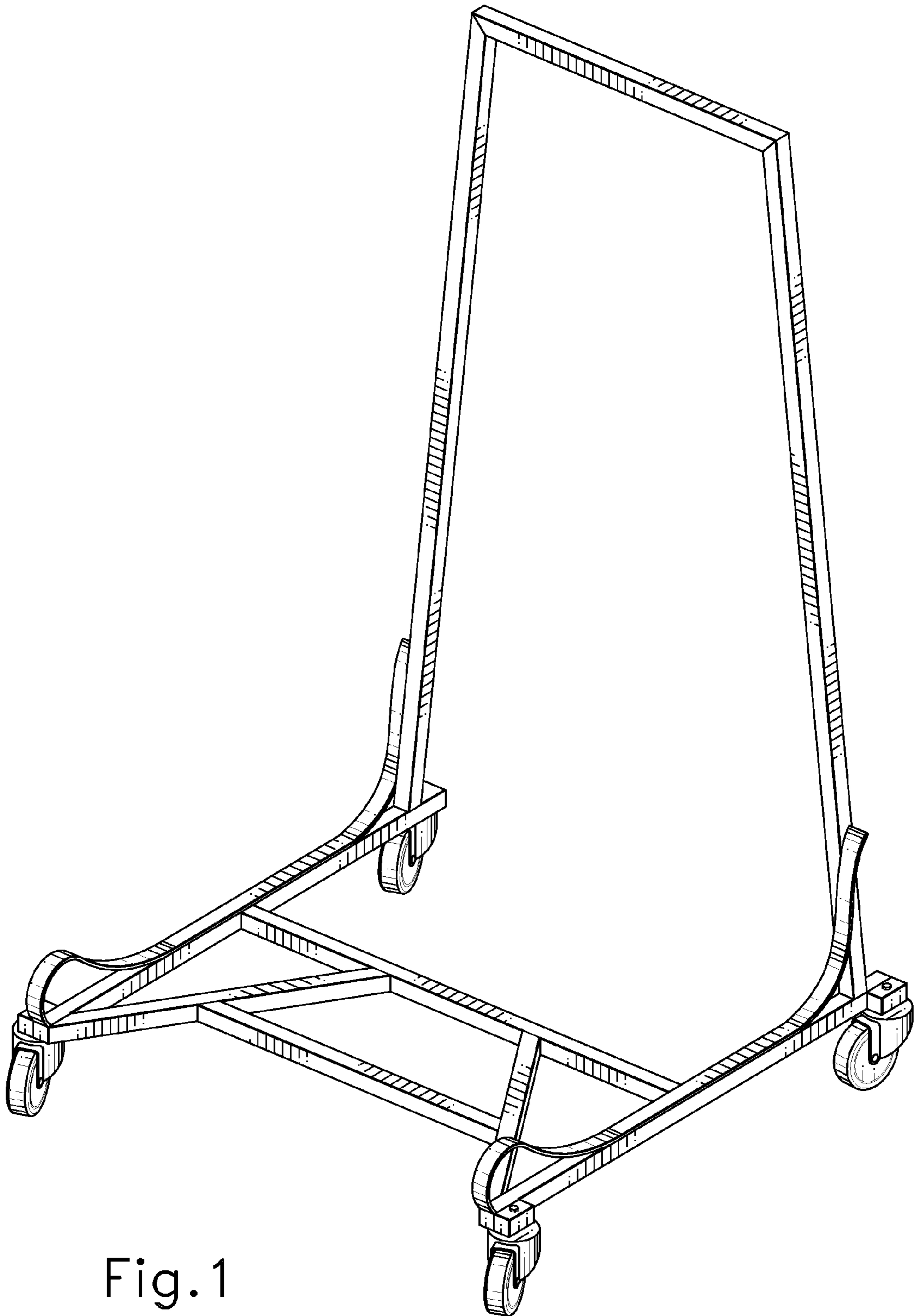


Fig. 1

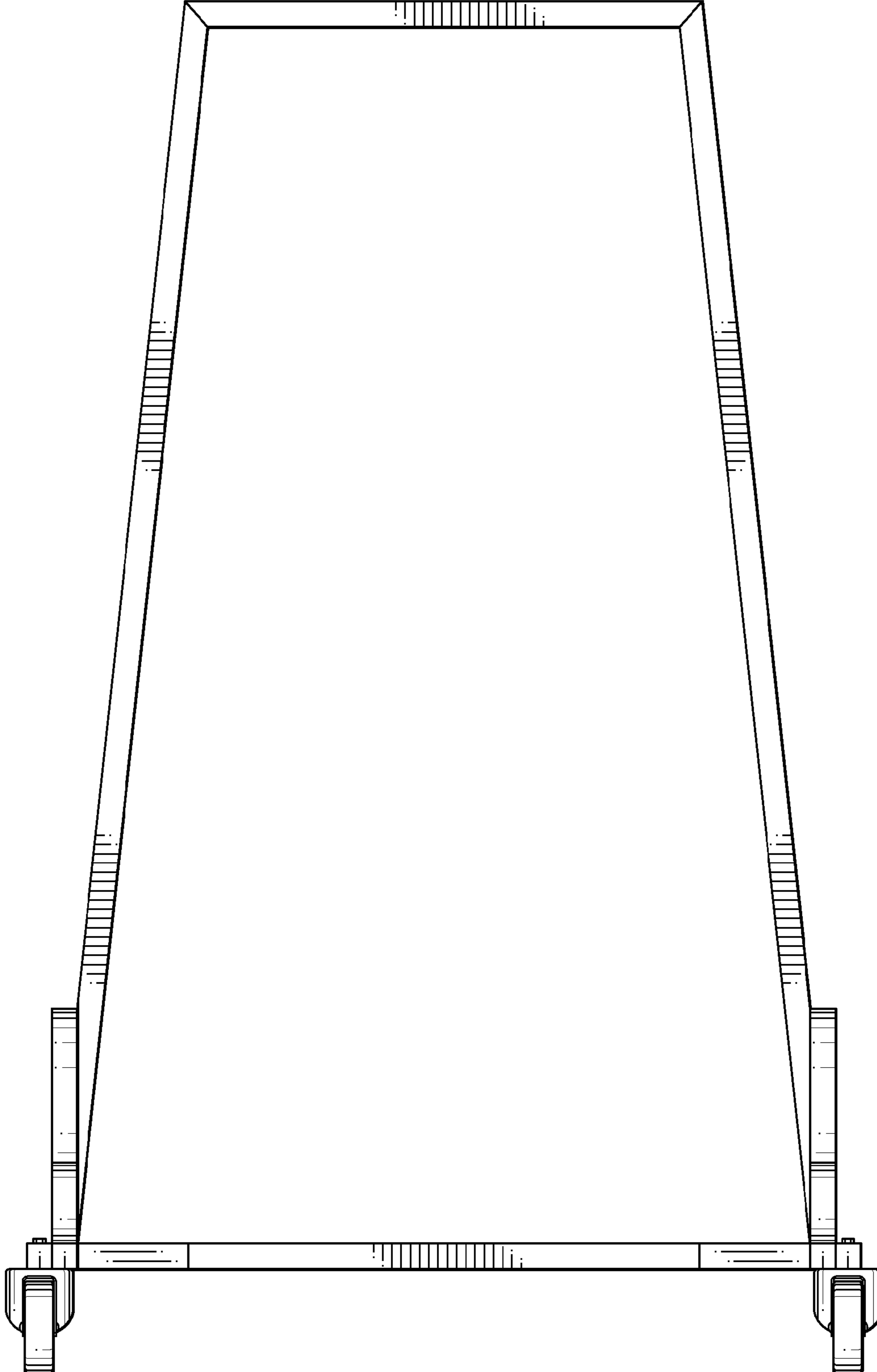


Fig.2

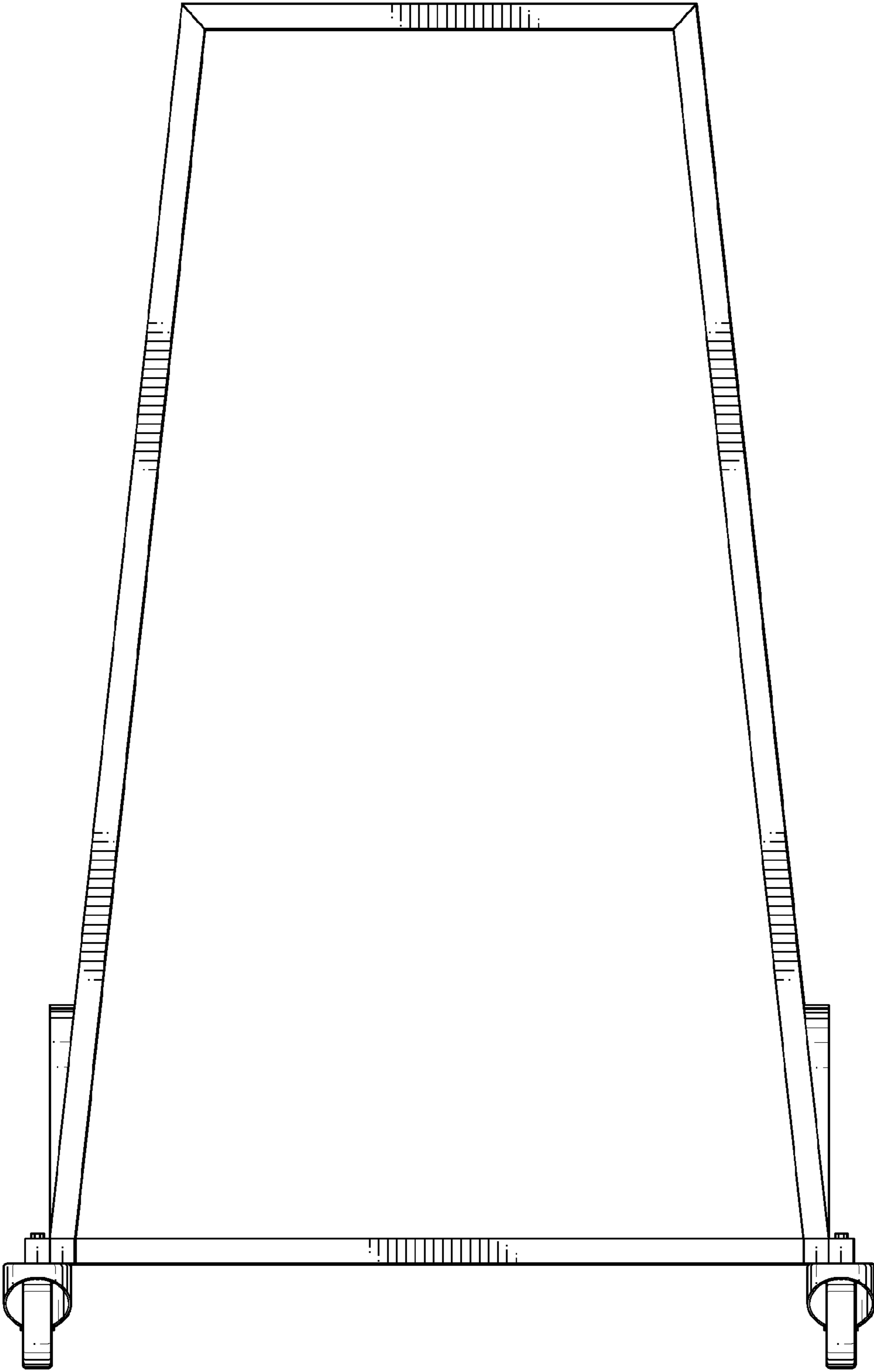


Fig.3

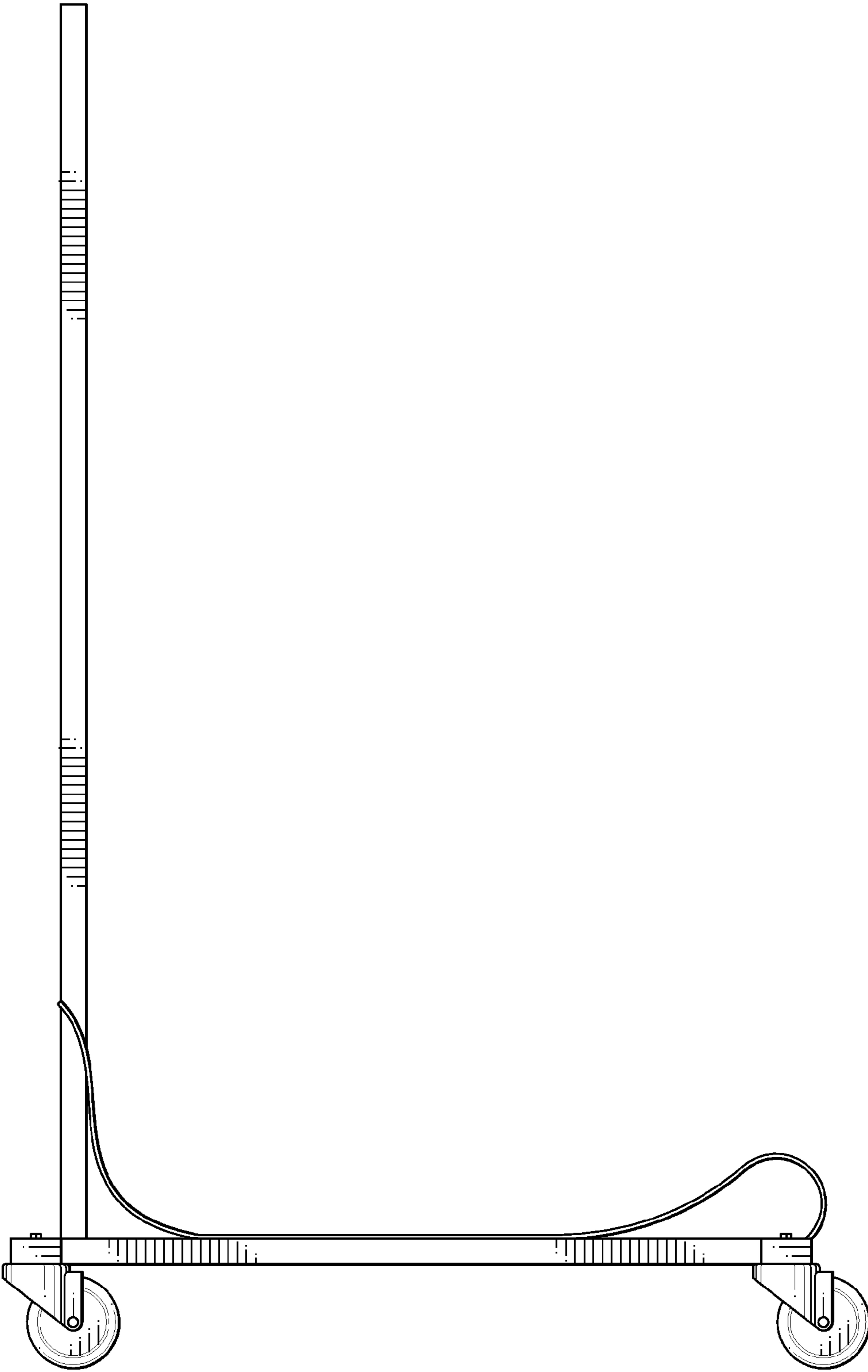


Fig.4

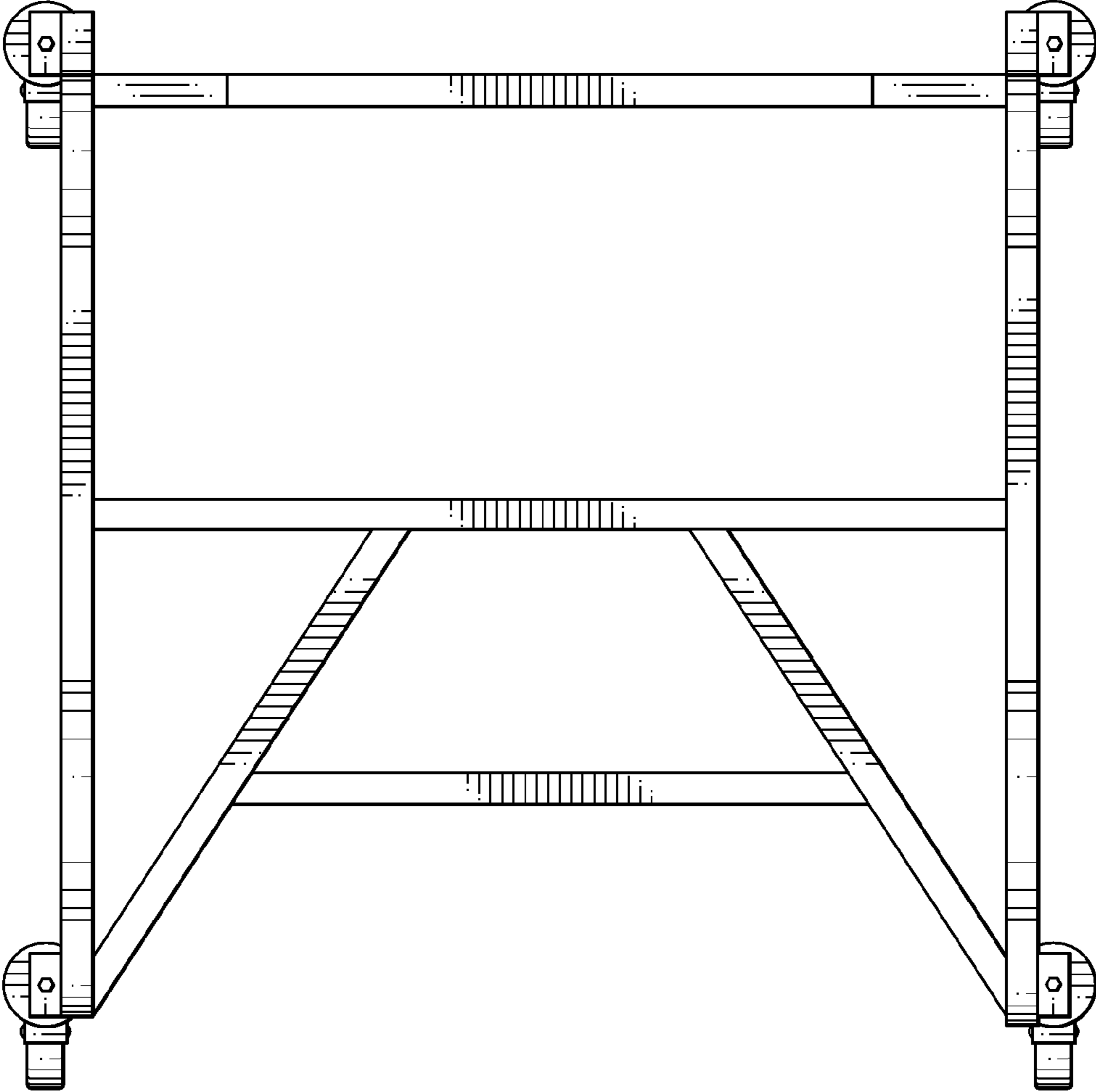


Fig.5

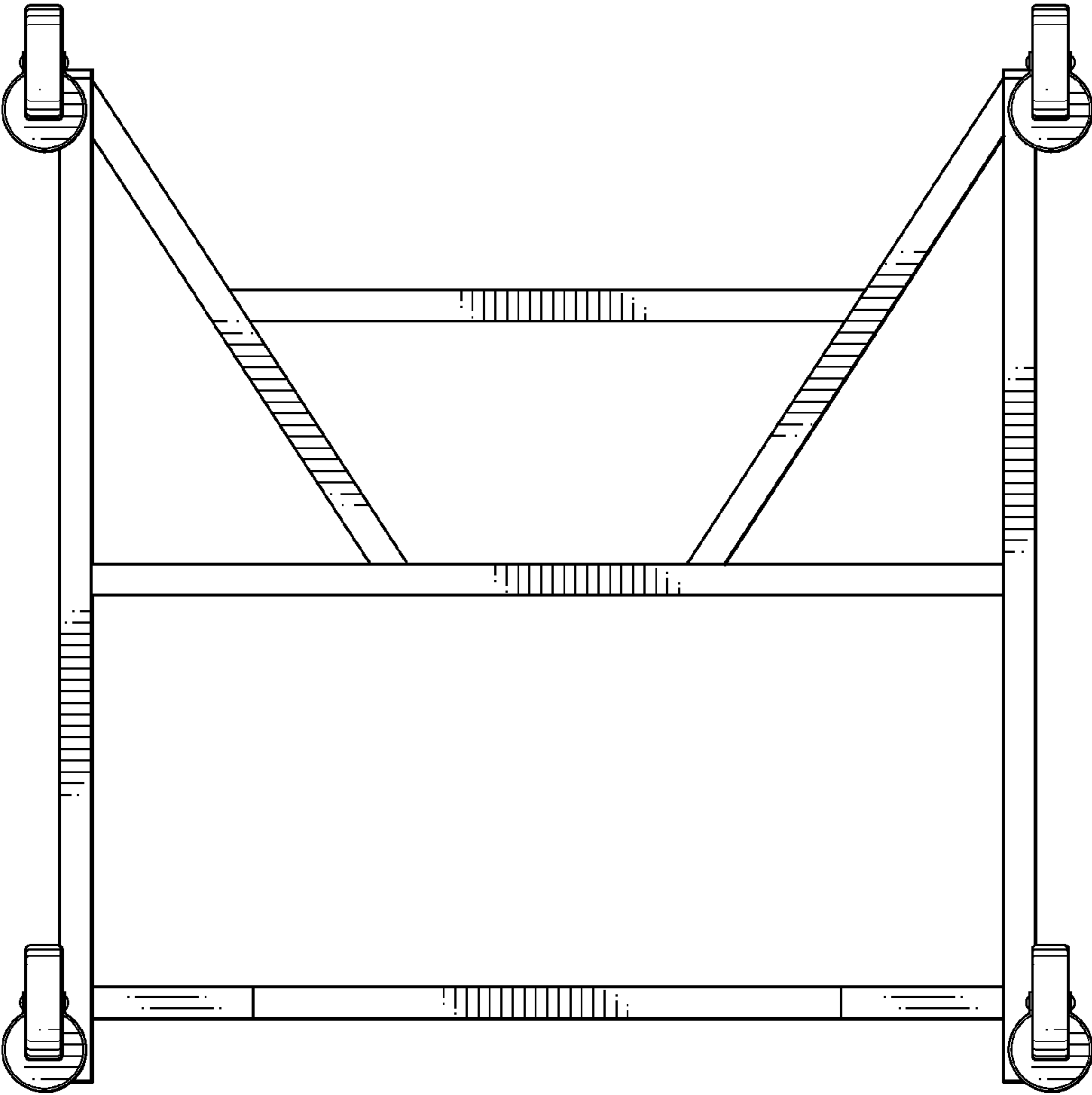


Fig.6