



US00D635730S

(12) **United States Design Patent**
Choi et al.

(10) **Patent No.:** **US D635,730 S**
(45) **Date of Patent:** **** Apr. 5, 2011**

(54) **IRON**

(75) Inventors: **Charles Young Choi**, Chicago, IL (US);
Mark Richard Pavel, Downers Grove,
IL (US); **Mark F. Turner**,
Mechanicsville, VA (US)

(73) Assignee: **Hamilton Beach Brands, Inc.**, Glen
Allen, VA (US)

(**) Term: **14 Years**

(21) Appl. No.: **29/380,447**

(22) Filed: **Dec. 6, 2010**

(51) **LOC (9) Cl.** **07-05**

(52) **U.S. Cl.** **D32/70**

(58) **Field of Classification Search** D32/73,
D32/72, 71, 70, 69, 68, 35; 392/404; 38/97,
38/96, 93, 88, 77.9, 77.83, 77.82, 77.81,
38/77.8, 77.7, 77.6, 77.5, 77.3, 77.1; 219/251,
219/245

See application file for complete search history.

(56) **References Cited**

U.S. PATENT DOCUMENTS

D340,329 S	10/1993	Barrault	
D476,453 S	6/2003	Garman	
D501,691 S	2/2005	Johnson et al.	
D516,764 S *	3/2006	Kihara	D32/70
D516,765 S	3/2006	Lee	
D518,937 S *	4/2006	Alday Lesaga	D32/70
D519,699 S	4/2006	Lee	
D530,873 S *	10/2006	Poon	D32/70
D531,369 S *	10/2006	Archer et al.	D32/70
D531,773 S	11/2006	Leung	
D537,594 S *	2/2007	Takahashi et al.	D32/70
D537,595 S *	2/2007	Picozza et al.	D32/70
D538,498 S *	3/2007	Picozza et al.	D32/70
D541,502 S *	4/2007	Powell	D32/70

D544,165 S *	6/2007	Massip et al.	D32/70
D546,518 S	7/2007	Massip et al.	
D548,914 S	8/2007	Muller	
D559,492 S *	1/2008	Renault	D32/70
D560,322 S	1/2008	Massip et al.	
D560,323 S	1/2008	Massip et al.	
D567,462 S *	4/2008	Renault et al.	D32/70
D568,020 S	4/2008	Poon	
D581,621 S *	11/2008	Chen	D32/70
D582,620 S *	12/2008	Brown	D32/70
D594,165 S *	6/2009	Mizoguchi	D32/70
D594,166 S *	6/2009	Mizoguchi	D32/70
D599,071 S	8/2009	Massip et al.	
D610,764 S *	2/2010	Massip et al.	D32/70
D610,765 S	2/2010	Massip et al.	
D620,663 S *	7/2010	Zabala	D32/70
D624,266 S *	9/2010	Massip et al.	D32/70
D629,988 S *	12/2010	Kaiser et al.	D32/70
D629,991 S *	12/2010	Day et al.	D32/70

* cited by examiner

Primary Examiner — Austin Murphy

(74) *Attorney, Agent, or Firm* — Alexander D. Raring

(57) **CLAIM**

The ornamental design for an iron, as shown and described.

DESCRIPTION

FIG. 1 is a perspective view as seen from the top, front and right side of an iron showing the new design;

FIG. 2 is a front view thereof;

FIG. 3 is a rear view thereof;

FIG. 4 is a left side view thereof;

FIG. 5 is a right side view thereof;

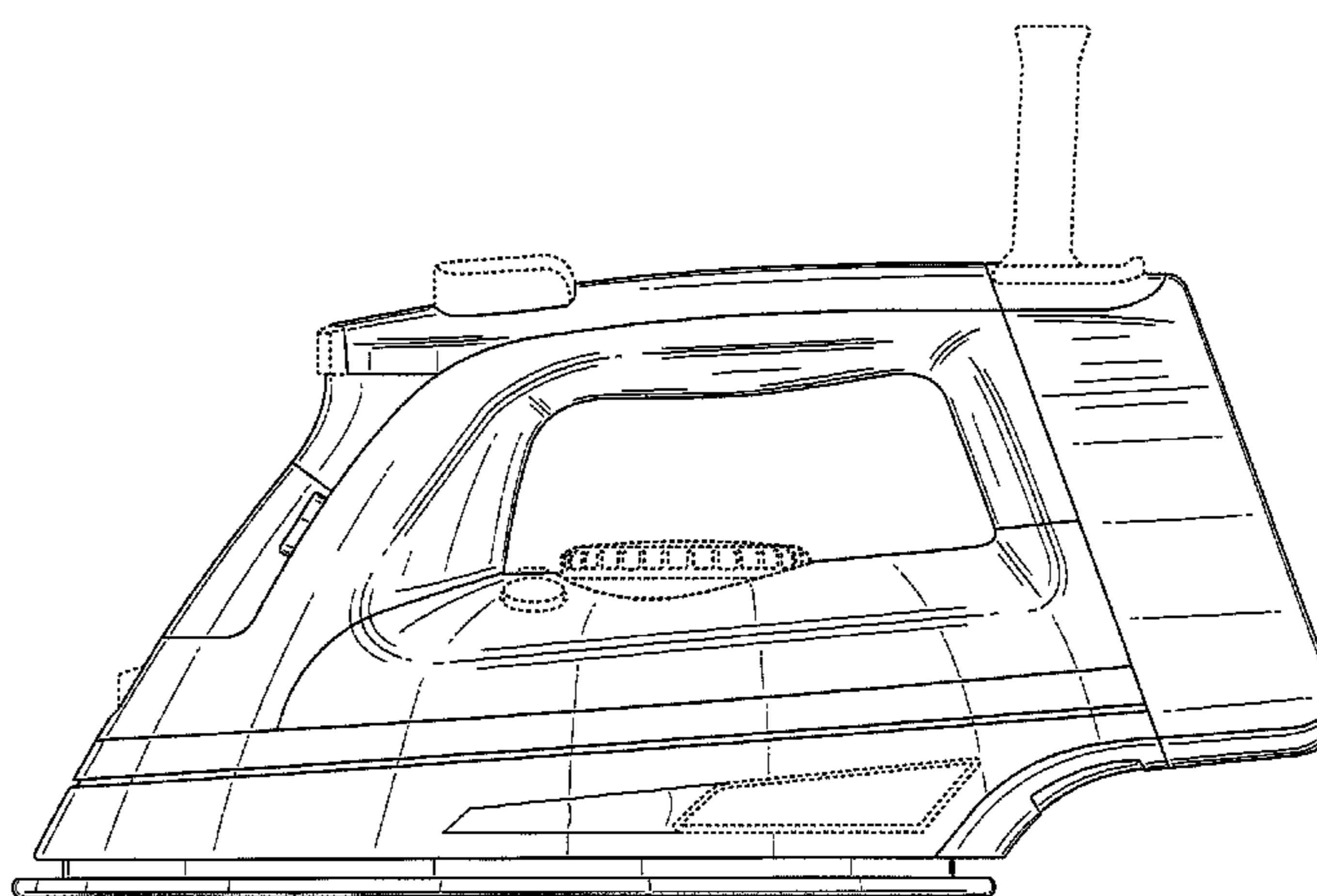
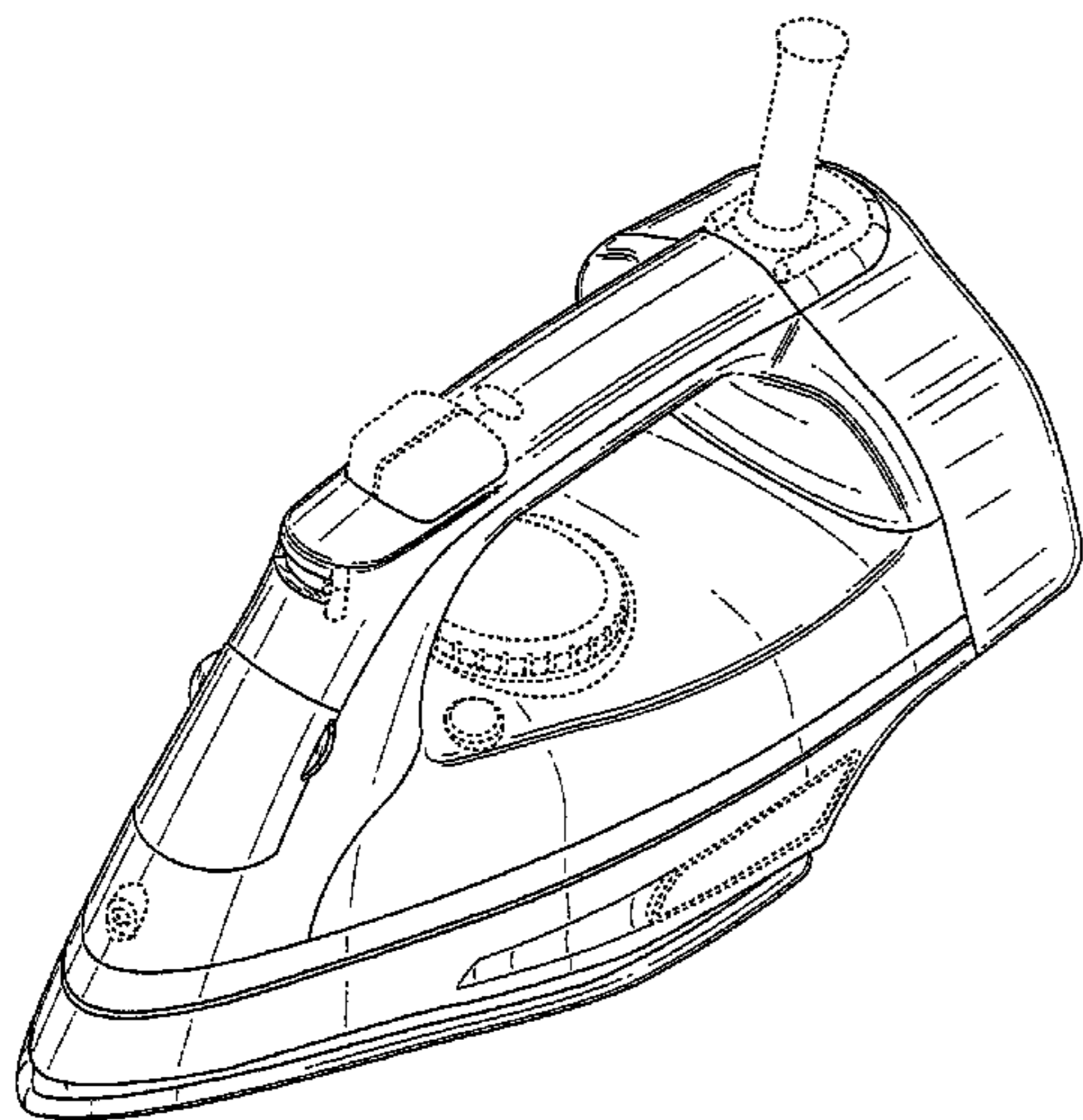
FIG. 6 is a top view thereof;

FIG. 7 is a bottom view thereof; and,

FIG. 8 is a perspective view as seen from the top, rear and left thereof.

The broken lines shown in drawings represent unclaimed portions of the iron that form no part of the claimed design.

1 Claim, 8 Drawing Sheets



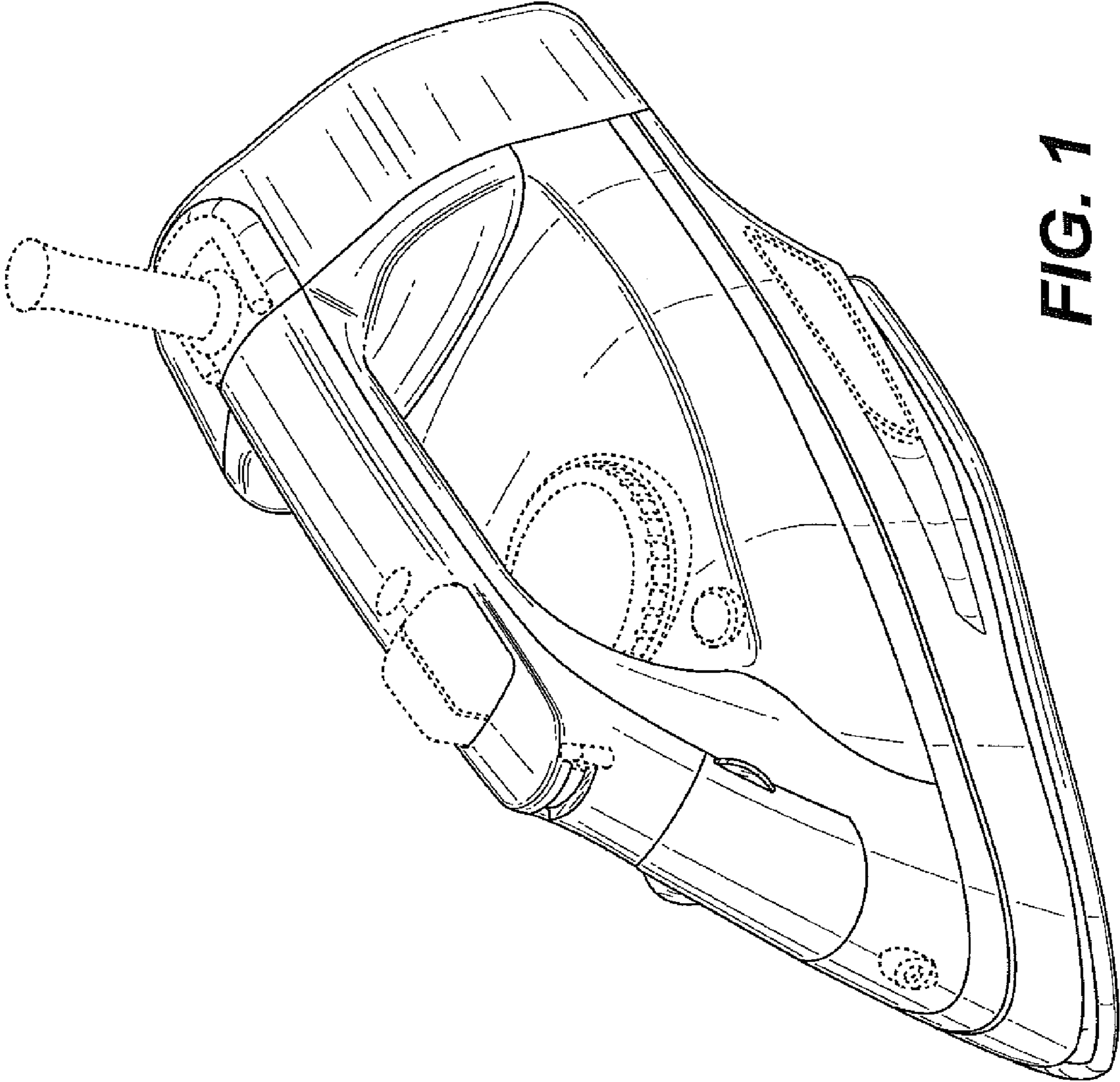


FIG. 1

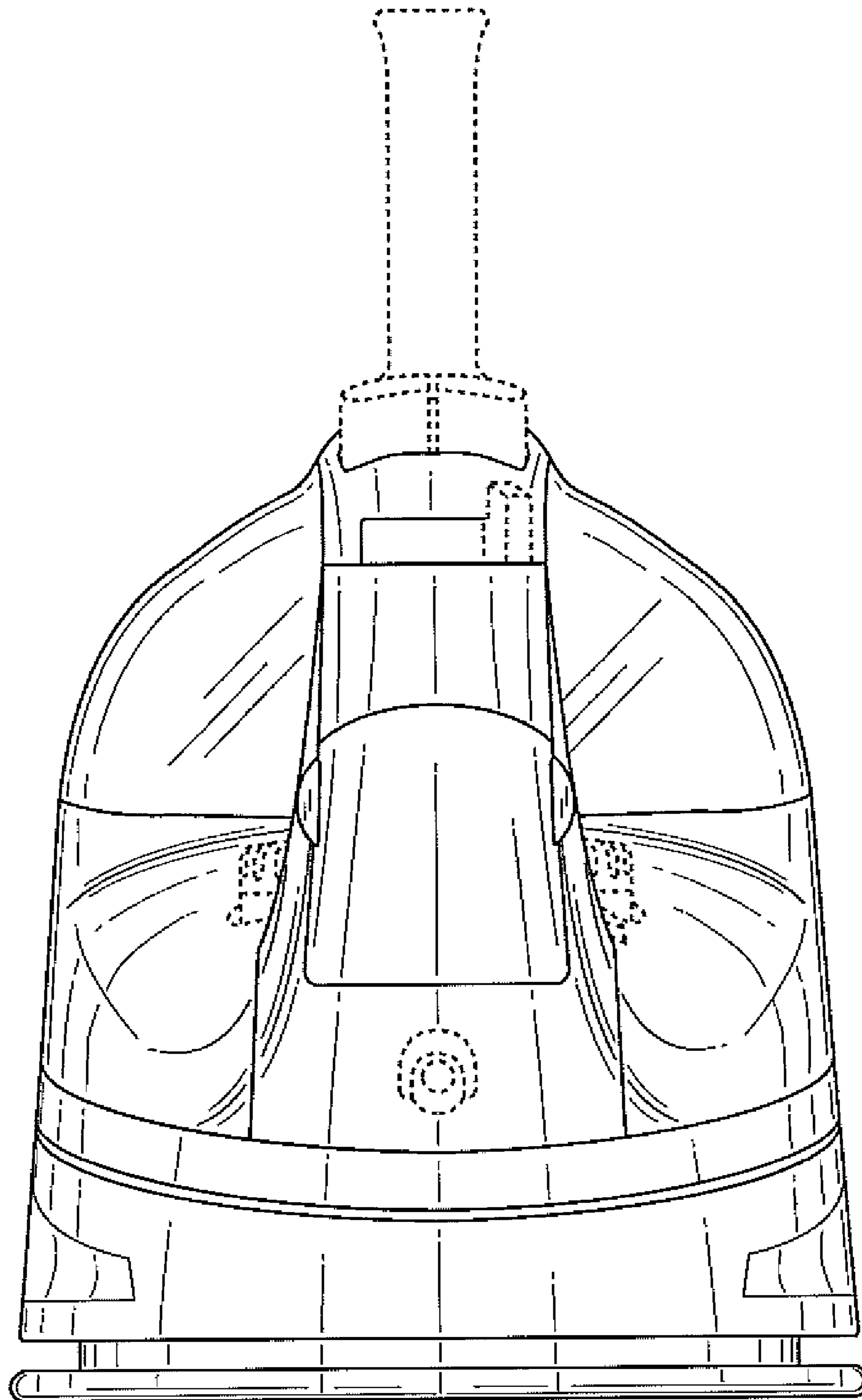


FIG. 2

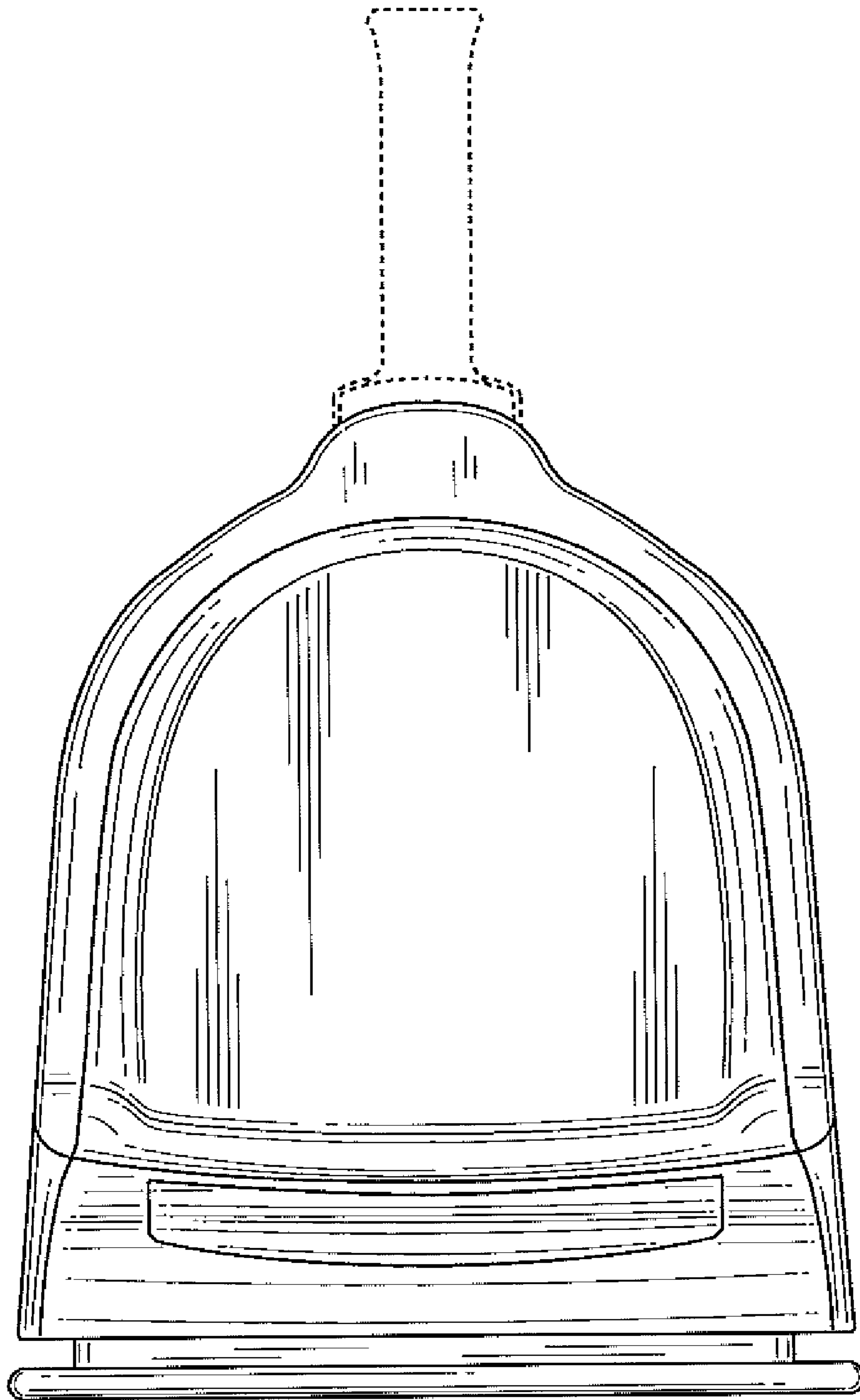


FIG. 3

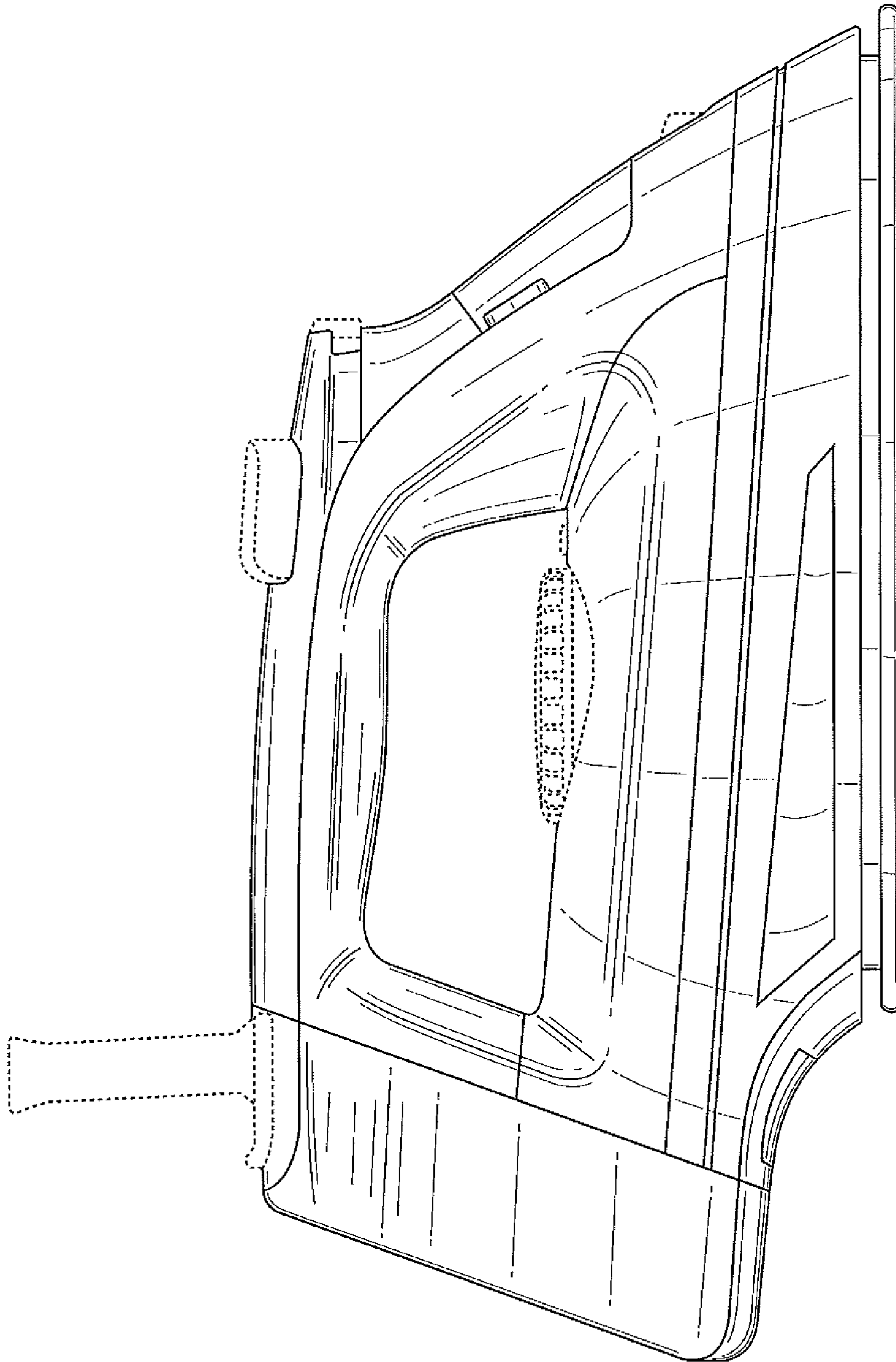


FIG. 4

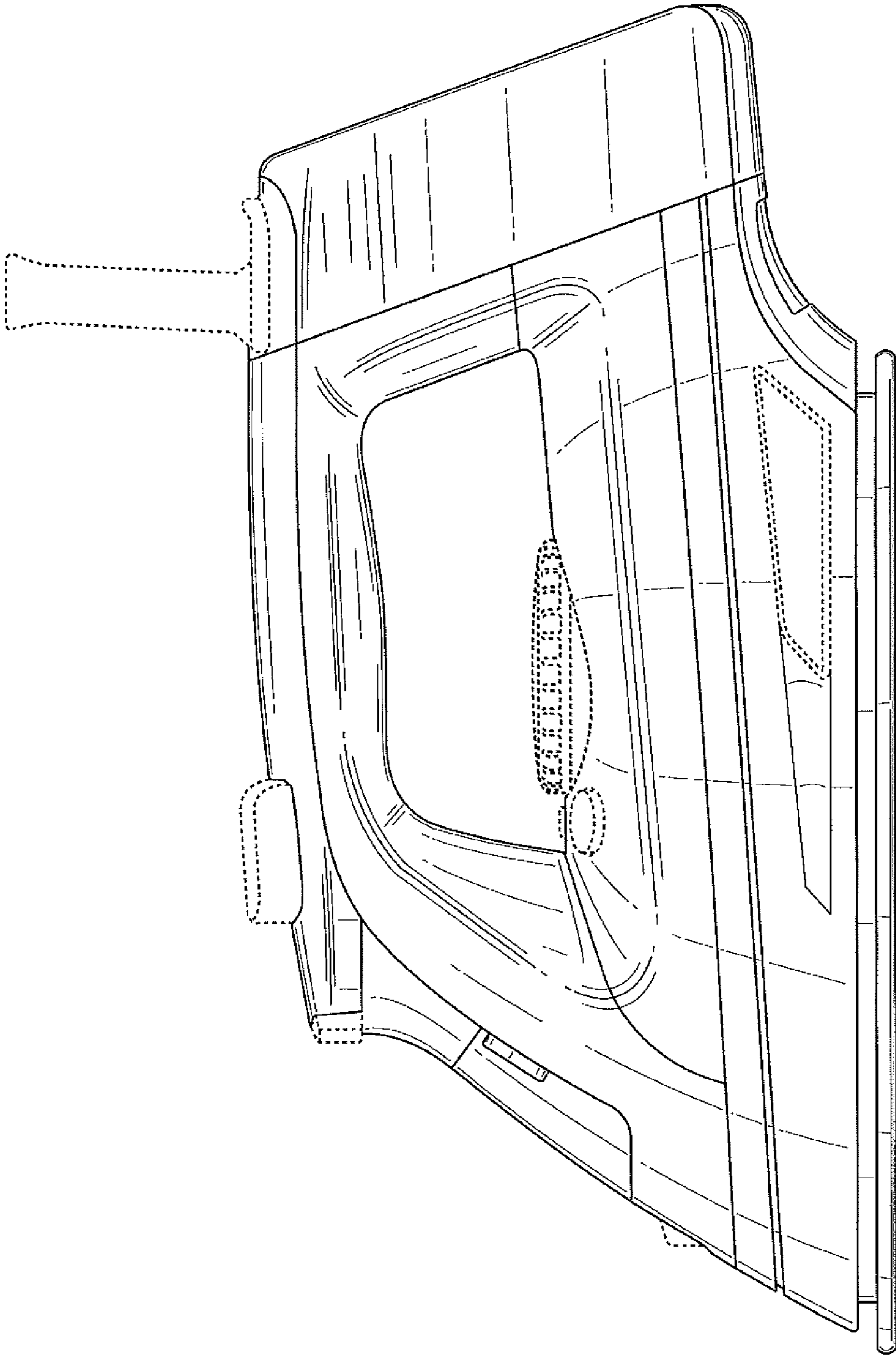


FIG. 5

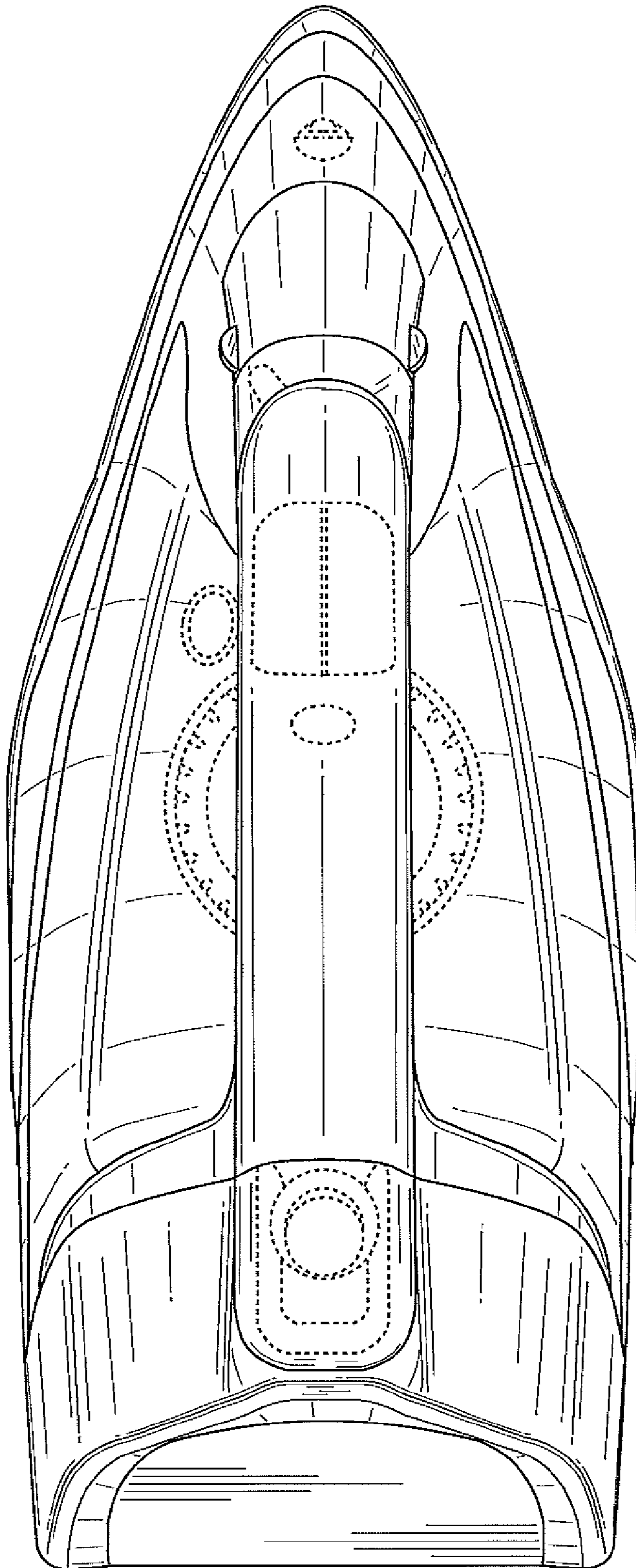


FIG. 6

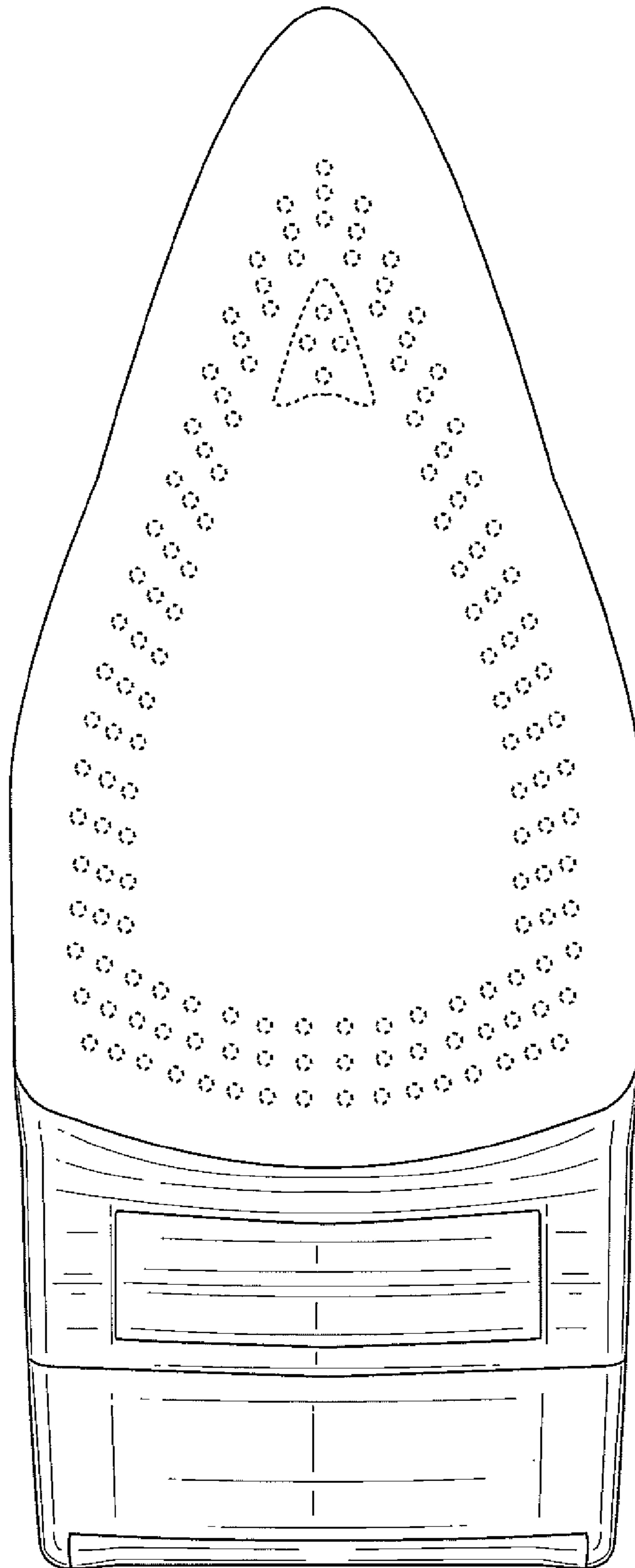


FIG. 7

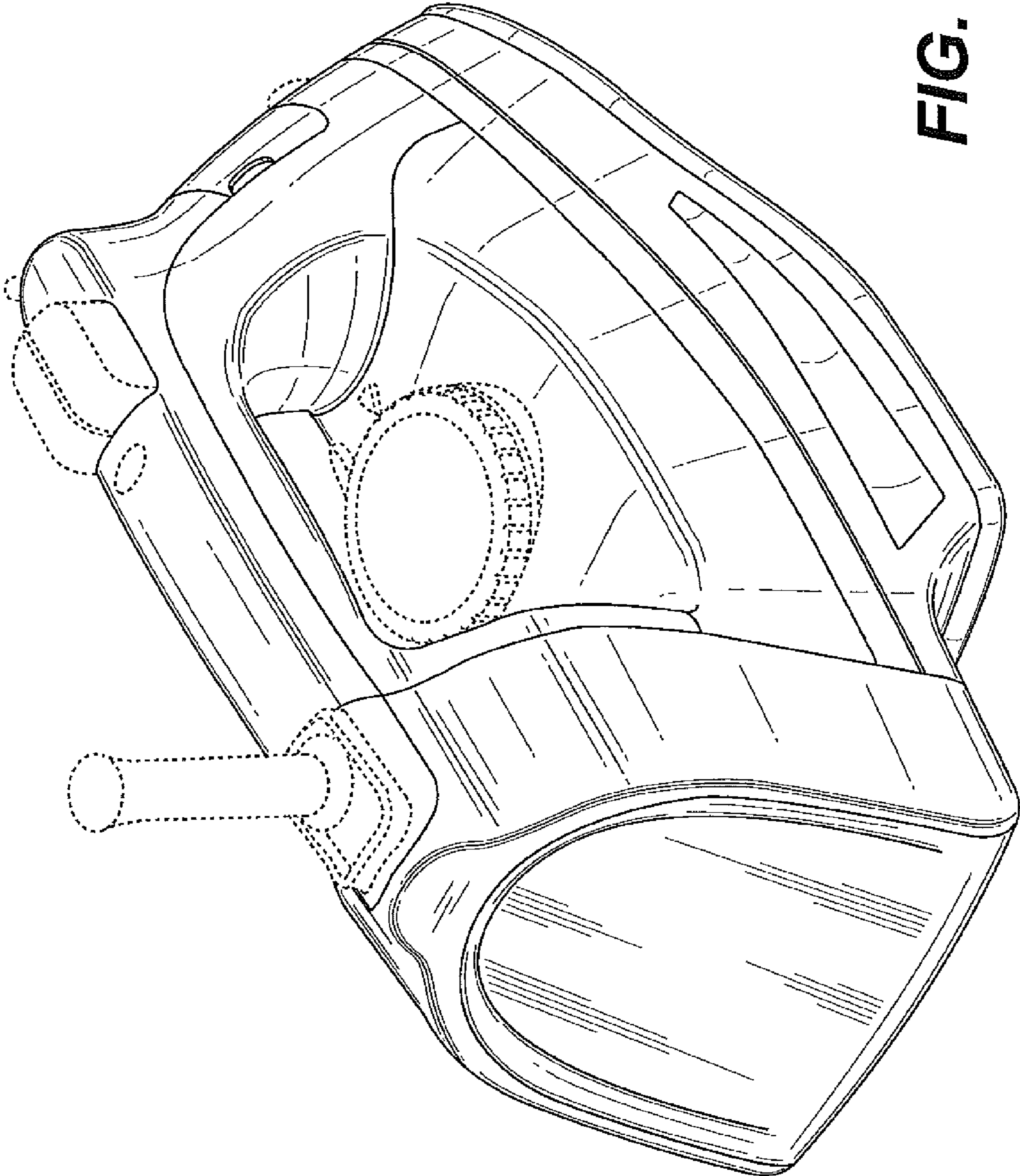


FIG. 8