



US00D635728S

(12) **United States Design Patent**
Fjellman

(10) **Patent No.:** **US D635,728 S**

(45) **Date of Patent:** **** Apr. 5, 2011**

(54) **VACUUM CLEANER**

(75) **Inventor:** **Oskar Fjellman, Stockholm (SE)**

(73) **Assignee:** **Aktiebolaget Electrolux, Stockholm (SE)**

(**) **Term:** **14 Years**

(21) **Appl. No.:** **29/326,599**

(22) **Filed:** **Oct. 21, 2008**

(51) **LOC (9) Cl.** **15-05**

(52) **U.S. Cl.** **D32/22**

(58) **Field of Classification Search** D32/22,

D32/31, 15, 16, 34; 15/320, 329, 340.2,

15/335, 347, 350, 352, 353, 344

See application file for complete search history.

(56) **References Cited**

U.S. PATENT DOCUMENTS

D303,173	S	*	8/1989	Miyamoto et al.	D32/22
D315,043	S	*	2/1991	Hayden	D32/34
D333,023	S	*	2/1993	Herron, Jr.	D32/34
D334,447	S	*	3/1993	Rohn	D32/34
D398,097	S	*	9/1998	Murphy et al.	D32/22
D426,356	S	*	6/2000	Tsuruha	D32/22
D429,044	S	*	8/2000	Saunders et al.	D32/34
D429,392	S	*	8/2000	Maruyama et al.	D32/22
D431,335	S	*	9/2000	Mehaffey et al.	D32/34
D433,546	S	*	11/2000	Milanese	D32/22
D453,866	S	*	2/2002	Nighy et al.	D32/31
D470,983	S	*	2/2003	Svaldi	D32/31
D477,445	S	*	7/2003	Schroter	D32/31
D480,848	S	*	10/2003	Smith et al.	D32/31
D483,160	S	*	12/2003	Houghton	D32/22
D495,456	S	*	8/2004	Ågren et al.	D32/22
D502,578	S	*	3/2005	Roschi	D32/31
D507,387	S	*	7/2005	Jacobs	D32/22
D525,755	S	*	7/2006	Simmonds	D32/34
D543,325	S	*	5/2007	Burnham	D32/34

D545,011	S	*	6/2007	Ågren et al.	D32/22
D548,905	S	*	8/2007	Bobrosky	D32/34
D561,415	S	*	2/2008	Tavano	D32/34
D565,266	S	*	3/2008	Crevling et al.	D32/34
D565,814	S	*	4/2008	Ågren et al.	D32/22
D565,816	S	*	4/2008	Ågren et al.	D32/22
D574,563	S	*	8/2008	Fjellman et al.	D32/22
D577,165	S	*	9/2008	Quance et al.	D32/34
D580,116	S	*	11/2008	Santiago et al.	D32/34
D582,111	S	*	12/2008	Ågren et al.	D32/22
D591,918	S	*	5/2009	Vagges	D32/22
D598,616	S	*	8/2009	Crawley	D32/22
D608,513	S	*	1/2010	Ho	D32/22
D611,665	S	*	3/2010	Braithwaite	D32/22
D613,469	S	*	4/2010	Ågren	D32/22
2009/0064448	A1	*	3/2009	Oh et al.	15/320
2010/0050367	A1	*	3/2010	Tsai	15/320

FOREIGN PATENT DOCUMENTS

AU	200720593	12/2007
EM	000184759	2/2004
EM	000298005	5/2007

* cited by examiner

Primary Examiner — Ruth McInroy

(74) *Attorney, Agent, or Firm* — Banner & Witcoff, Ltd.

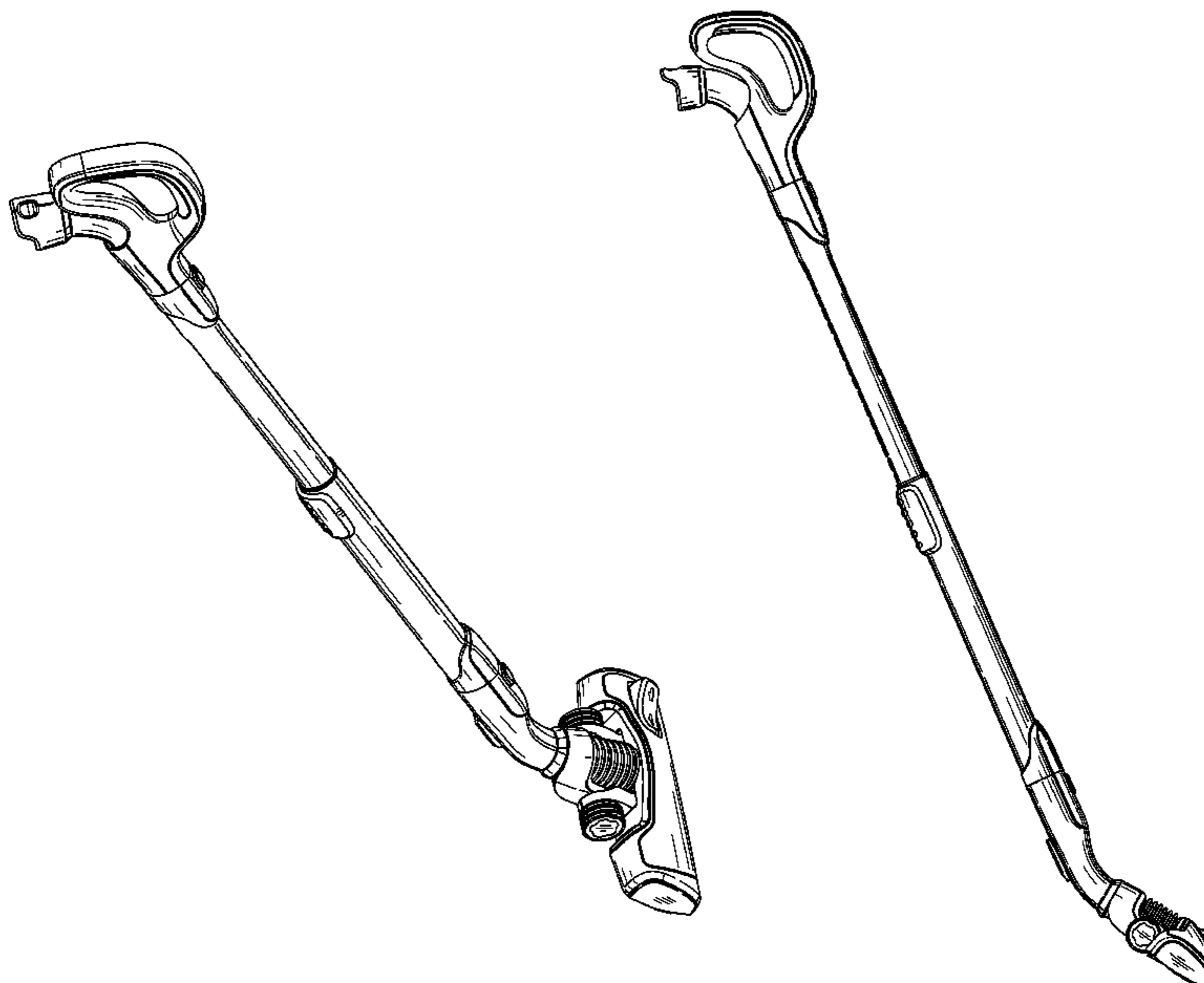
(57) **CLAIM**

The ornamental design for a vacuum cleaner, as shown and described.

DESCRIPTION

FIG. 1 is a top, front and left side perspective view of a vacuum cleaner showing my new design;
FIG. 2 is a left side view thereof;
FIG. 3 is a right side view thereof;
FIG. 4 is a top plan view thereof;
FIG. 5 is a bottom plan view thereof;
FIG. 6 is a front view thereof; and,
FIG. 7 is a rear view thereof.

1 Claim, 6 Drawing Sheets



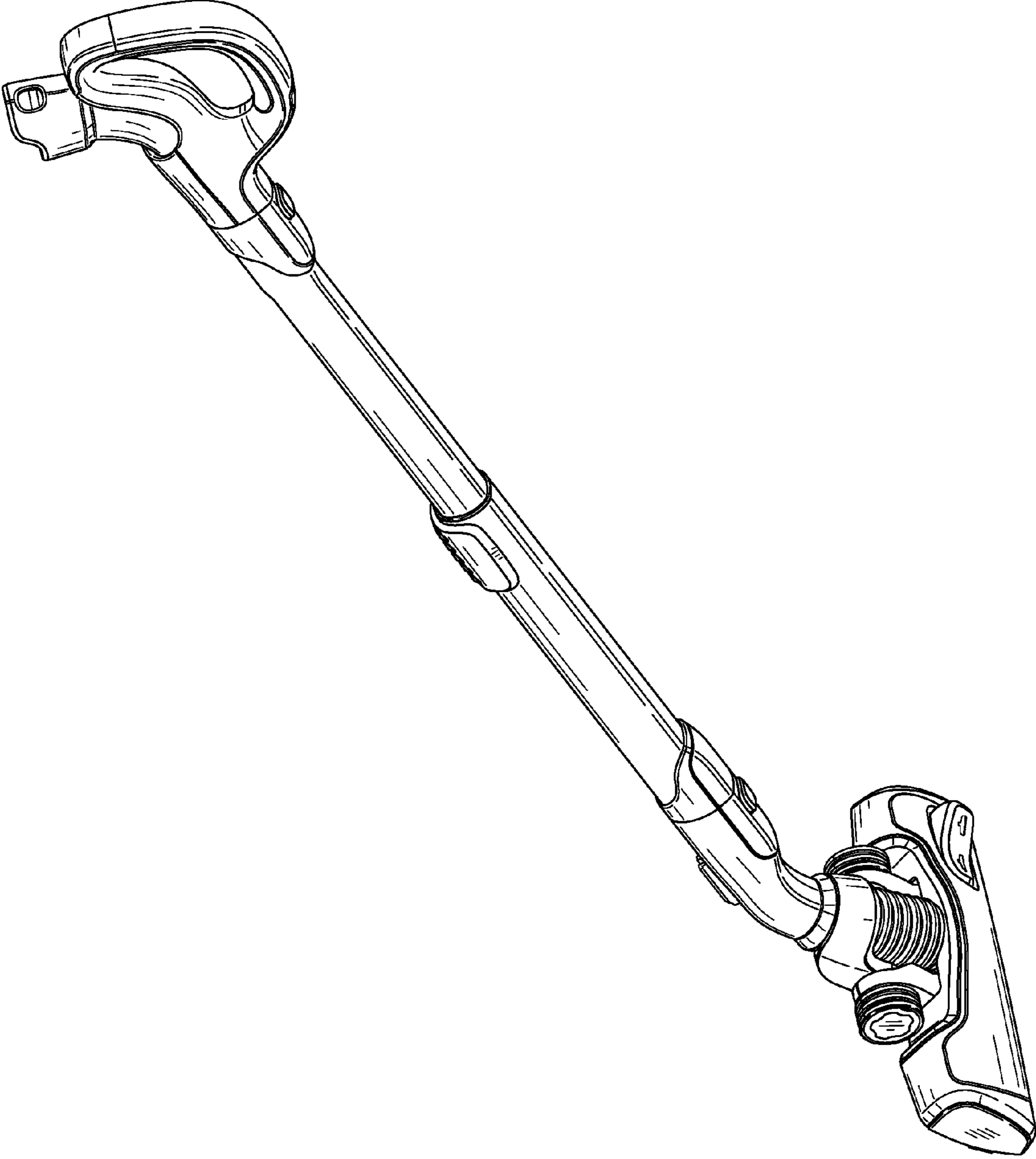


FIG. 1

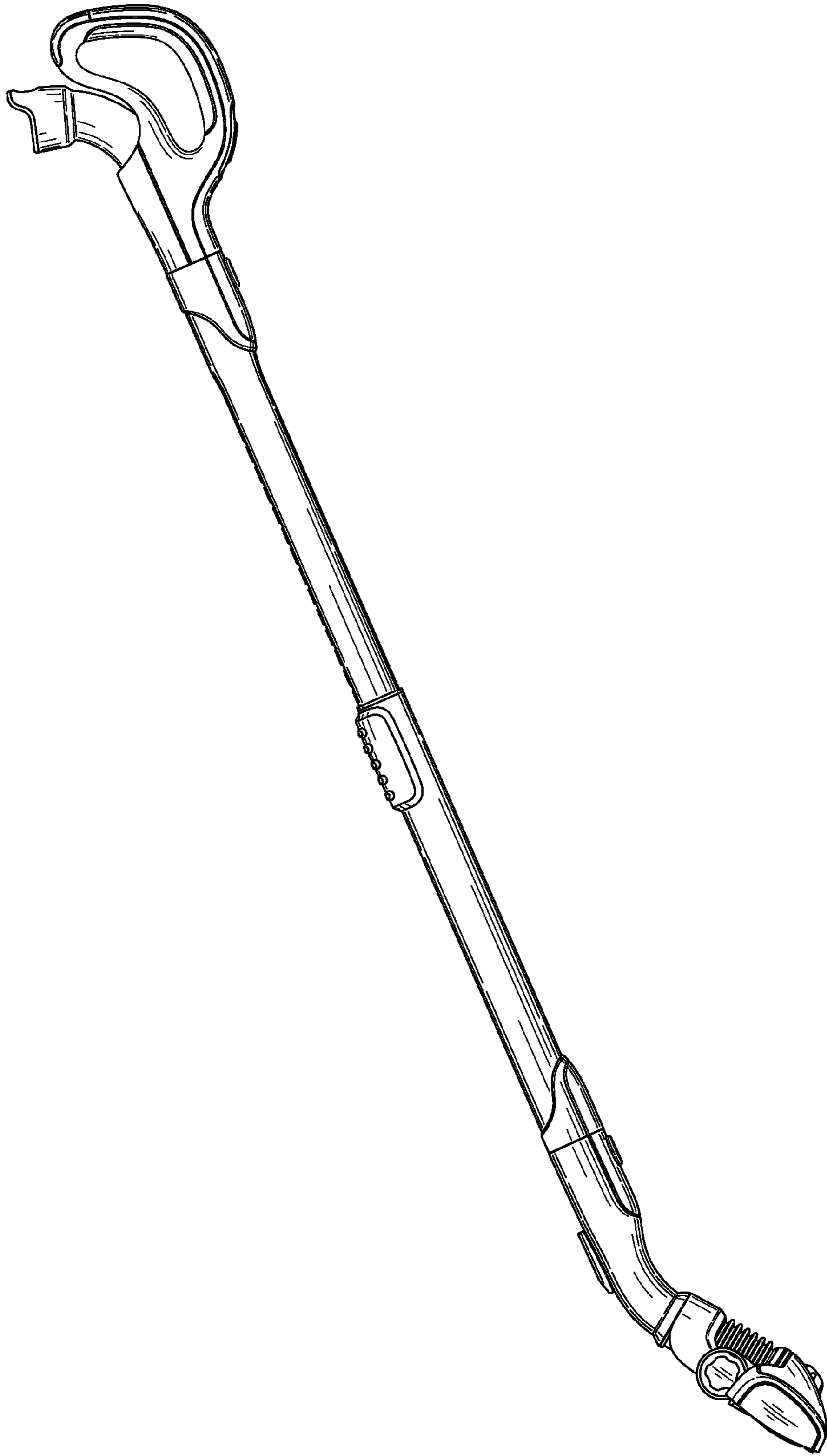


FIG. 2

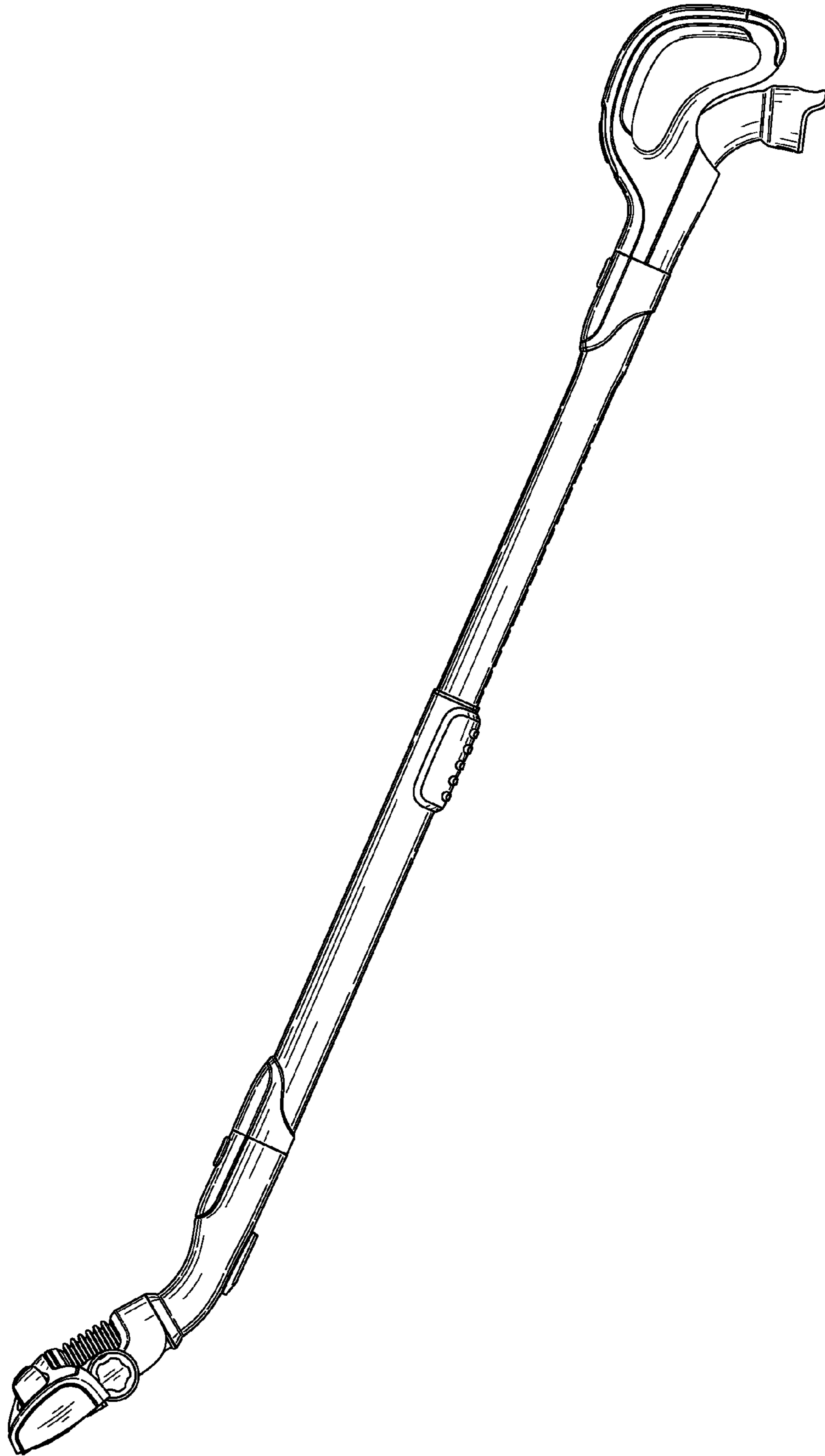


FIG. 3

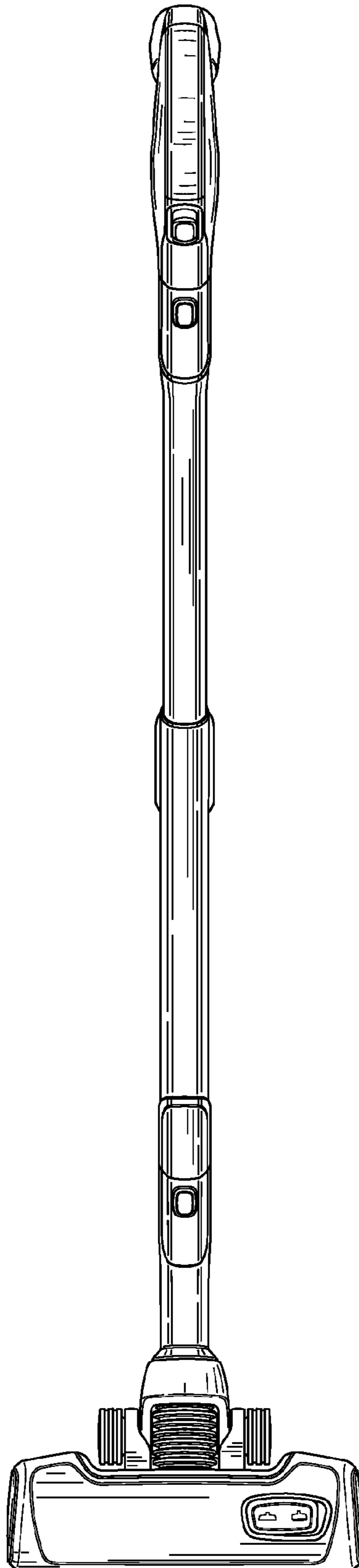


FIG. 4

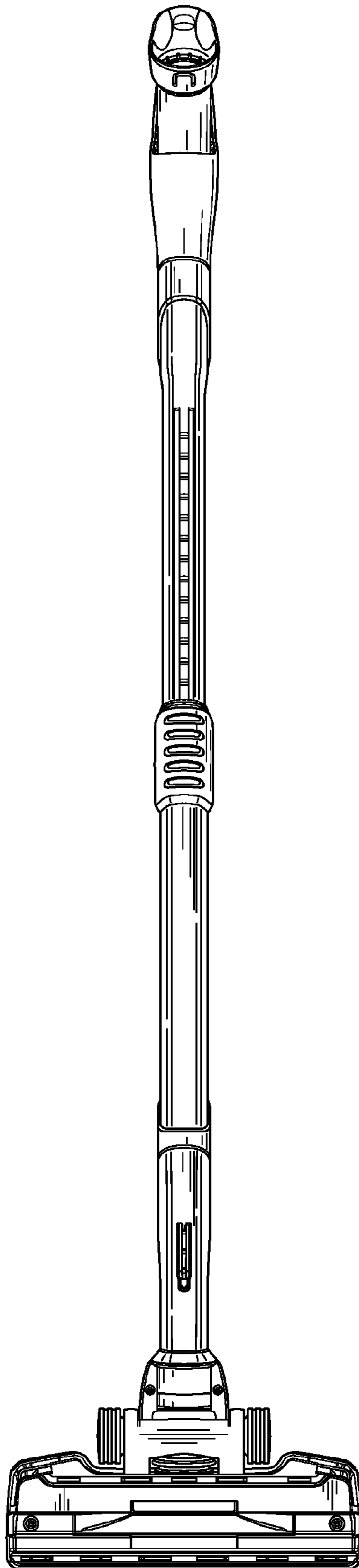


FIG. 5

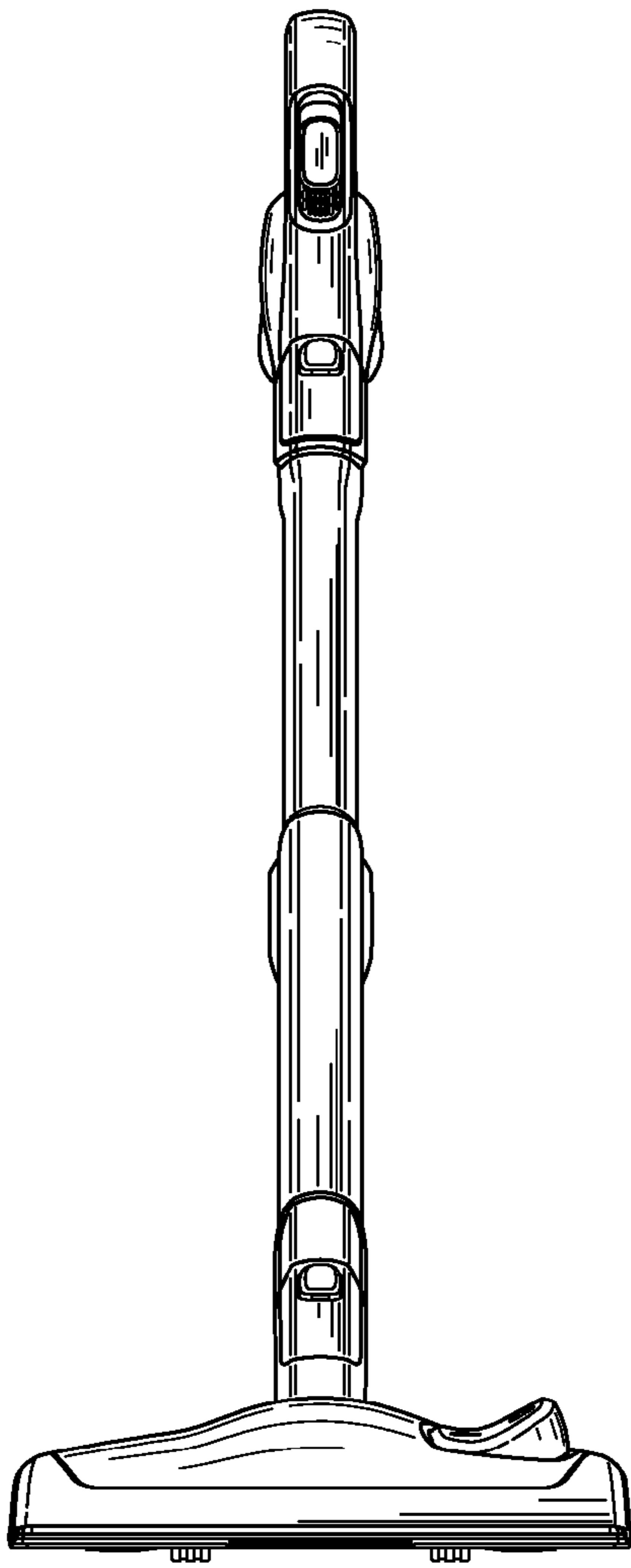


FIG. 6

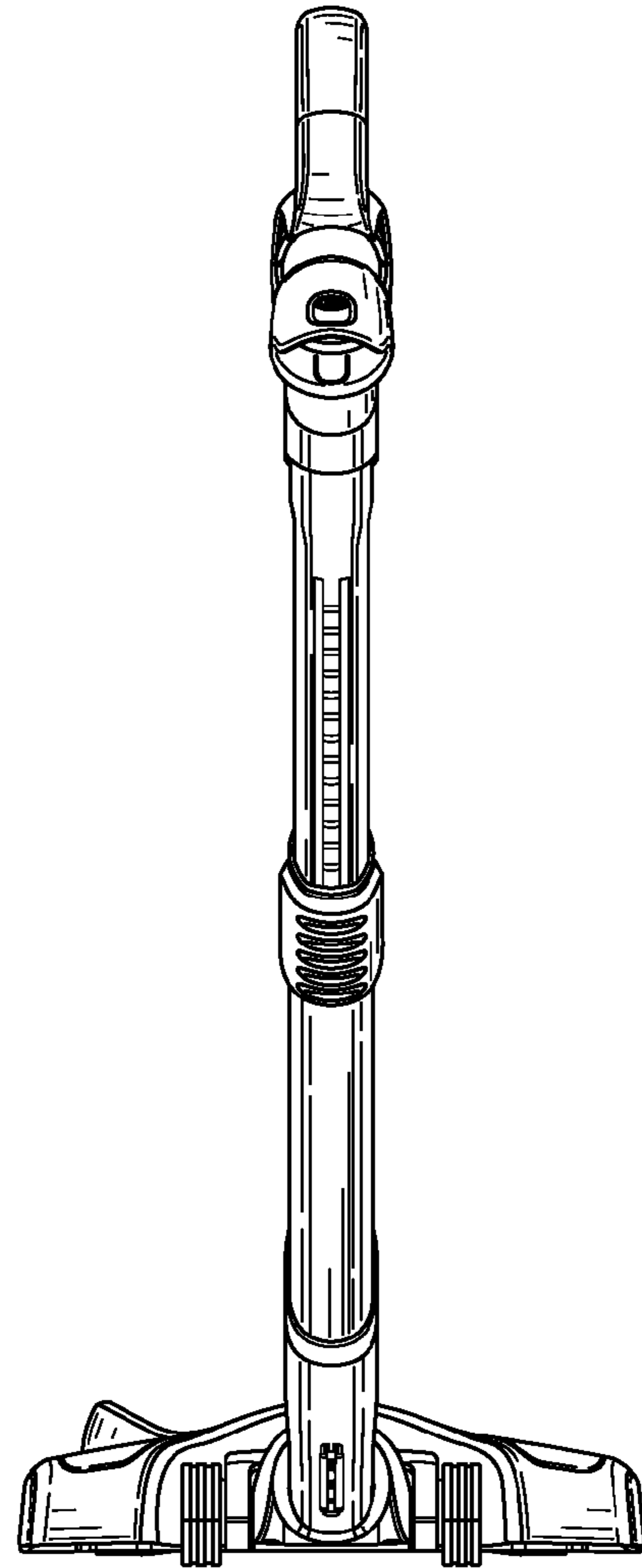


FIG. 7