



US00D635725S

(12) **United States Design Patent**
Levy et al.

(10) **Patent No.:** **US D635,725 S**

(45) **Date of Patent:** **** Apr. 5, 2011**

(54) **ANIMAL COOLING DEVICE**

(75) Inventors: **Richard C. Levy**, Delray Beach, FL
(US); **Gregory S. Spiegel**, Land of
Lakes, FL (US)

(73) Assignee: **Rose America Corporation**, Wichita,
KS (US)

(**) Term: **14 Years**

(21) Appl. No.: **29/347,918**

(22) Filed: **Jul. 30, 2010**

(51) **LOC (9) Cl.** **30-04**

(52) **U.S. Cl.** **D30/153**

(58) **Field of Classification Search** D30/151-154;
119/792-798, 758, 760, 769, 770, 712, 784,
119/802, 856, 857, 863, 865; 54/71; 30/39;
242/397, 615.3

See application file for complete search history.

(56) **References Cited**

U.S. PATENT DOCUMENTS

2,023,950	A	12/1935	Carter	
2,314,504	A	3/1943	Lifchultz	
D338,508	S *	8/1993	Kuo	D21/575
5,401,034	A	3/1995	Mallinger	
5,501,179	A	3/1996	Cory	
D376,215	S	12/1996	Gomm et al.	
D393,022	S *	3/1998	Nagel	D21/572
5,887,550	A *	3/1999	Levine et al.	119/796
5,890,456	A *	4/1999	Tancrede	119/794
D413,364	S *	8/1999	D'Andrade	D21/572
D426,592	S *	6/2000	Zimmerman	D21/572
D426,593	S *	6/2000	Zimmerman	D21/572
D427,251	S *	6/2000	D'Andrade et al.	D21/572
D428,077	S *	7/2000	Zimmerman	D21/572
D430,908	S *	9/2000	Hornsby et al.	D21/572
D433,079	S *	10/2000	Zimmerman	D21/572
D434,458	S *	11/2000	Hornsby et al.	D21/572
D438,916	S *	3/2001	Wan	D21/572
D439,286	S *	3/2001	Hornsby et al.	D21/572
D441,039	S *	4/2001	Greenberg et al.	D21/572
6,223,695	B1	5/2001	Edwards et al.	

6,280,277	B1 *	8/2001	Greenberg et al.	446/161
6,327,998	B1	12/2001	Andre et al.	
D458,975	S *	6/2002	Hornsby et al.	D21/574
6,405,683	B1	6/2002	Walter et al.	
6,474,270	B1	11/2002	Imes	
D466,958	S *	12/2002	Hornsby et al.	D21/572
D478,639	S *	8/2003	Menow et al.	D21/572
D479,286	S *	9/2003	Menow et al.	D21/572
6,712,026	B1	3/2004	Carville, Jr.	
6,886,499	B2	5/2005	Meissner	

(Continued)

OTHER PUBLICATIONS

U.S. Appl. No. 29/347,640, filed Mar. 24, 2010, entitled "Animal Cooling Device".

(Continued)

Primary Examiner — Susan Moon Lee

(74) *Attorney, Agent, or Firm* — Dinesh Agarwal, P.C.

(57) **CLAIM**

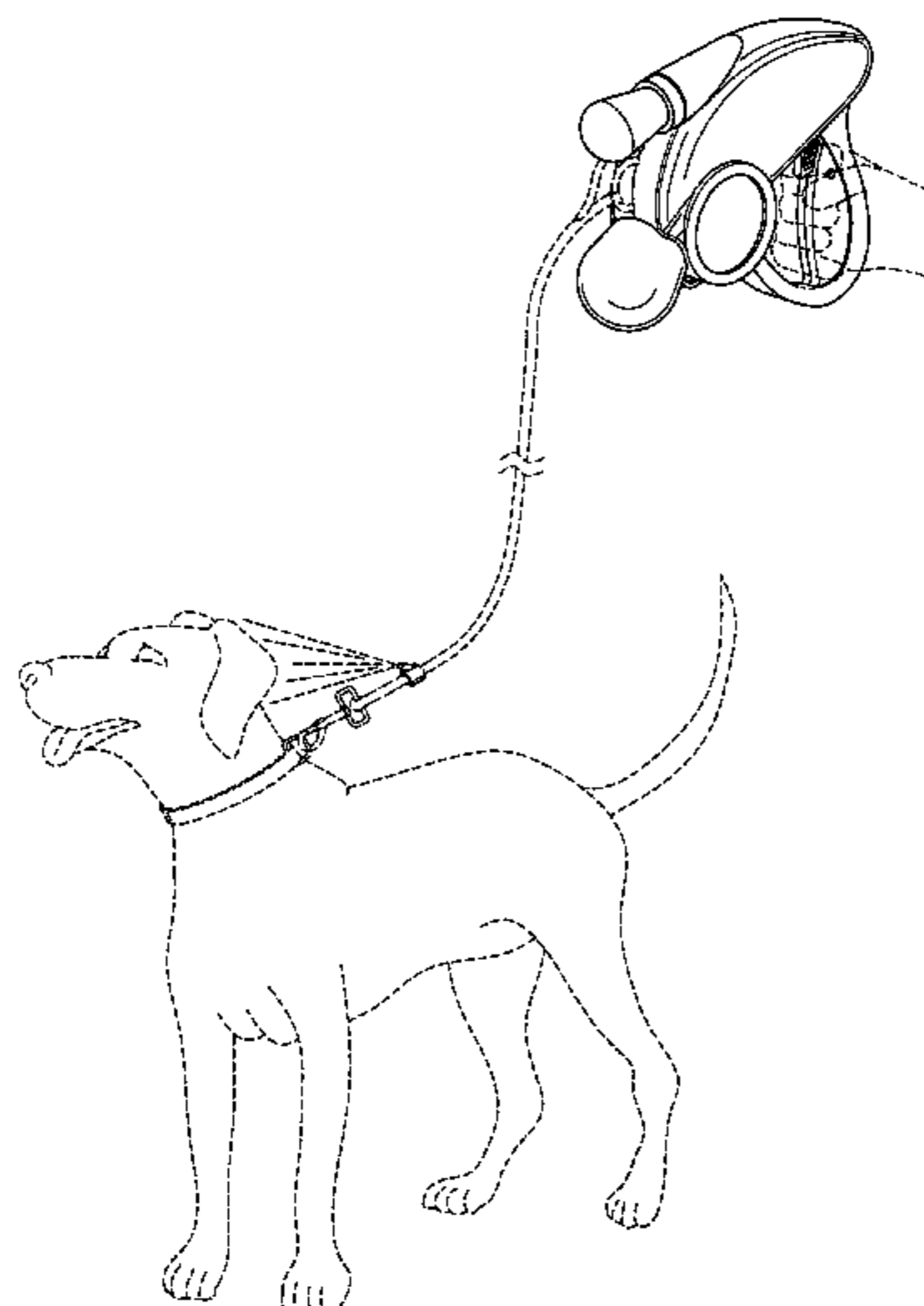
The ornamental design for an animal cooling device, as shown and described.

DESCRIPTION

FIG. 1 is a right perspective view of an animal cooling device showing our new design;
FIG. 2 is a left side view of the animal cooling device of FIG. 1;
FIG. 3 is a top plan view of the animal cooling device of FIG. 1;
FIG. 4 is a bottom plan view of the animal cooling device of FIG. 1;
FIG. 5 is a front elevational view of the animal cooling device of FIG. 1;
FIG. 6 is a rear elevational view of the animal cooling device of FIG. 1; and,
FIG. 7 is a perspective view of an animal cooling device of FIG. 1, shown in use.

The portions depicted in broken line are not claimed.

1 Claim, 4 Drawing Sheets



US D635,725 S

Page 2

U.S. PATENT DOCUMENTS

6,955,138 B2 10/2005 DeBien
7,040,257 B2* 5/2006 Waxman et al. 119/796
7,131,401 B2 11/2006 Huff et al.
7,152,902 B2 12/2006 Moen et al.
7,194,982 B2 3/2007 Edwards
D557,355 S * 12/2007 Higuchi et al. D21/572
D588,652 S * 3/2009 Stadlbauer D21/572
7,497,186 B2 3/2009 Dorton et al.
2002/0020712 A1* 2/2002 Hornsby et al. 222/79
2002/0092864 A1* 7/2002 Small et al. 222/79
2002/0127946 A1* 9/2002 Hornsby et al. 446/176
2005/0011472 A1 1/2005 Wuensche
2005/0217609 A1 10/2005 Dorton et al.
2005/0263103 A1 12/2005 Updyke et al.
2006/0012212 A1 1/2006 Moen et al.
2006/0118062 A1 6/2006 Edwards
2006/0162675 A1 7/2006 Ghalebi et al.

2006/0201450 A1 9/2006 Jordan et al.
2006/0207522 A1 9/2006 Perkitny
2006/0231043 A1 10/2006 Galdo
2007/0157892 A1 7/2007 Farrell et al.
2007/0261645 A1 11/2007 Van de Merwe et al.
2008/0173257 A1 7/2008 Steiner et al.
2008/0223308 A1 9/2008 Stern
2009/0020077 A1 1/2009 Macrae
2009/0183691 A1 7/2009 Hassan

OTHER PUBLICATIONS

U.S. Appl. No. 12/659,875, filed Mar. 24, 2010, entitled "Animal Cooling Device and Method Therefor".

U.S. Appl. No. 12/923,153, filed Sep. 7, 2010, entitled "Animal Cooling Device and Method Therefor".

* cited by examiner

FIG. 1

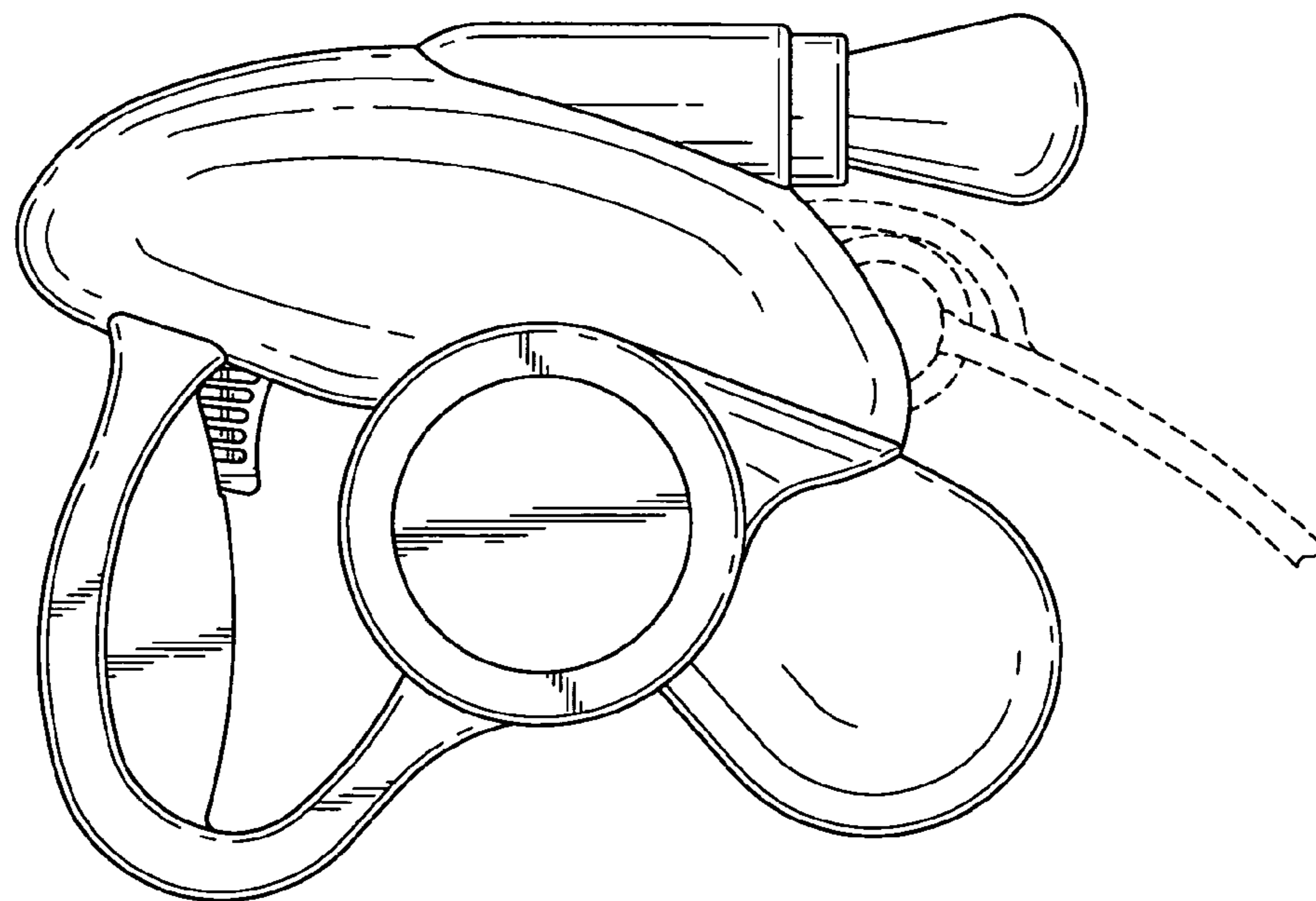
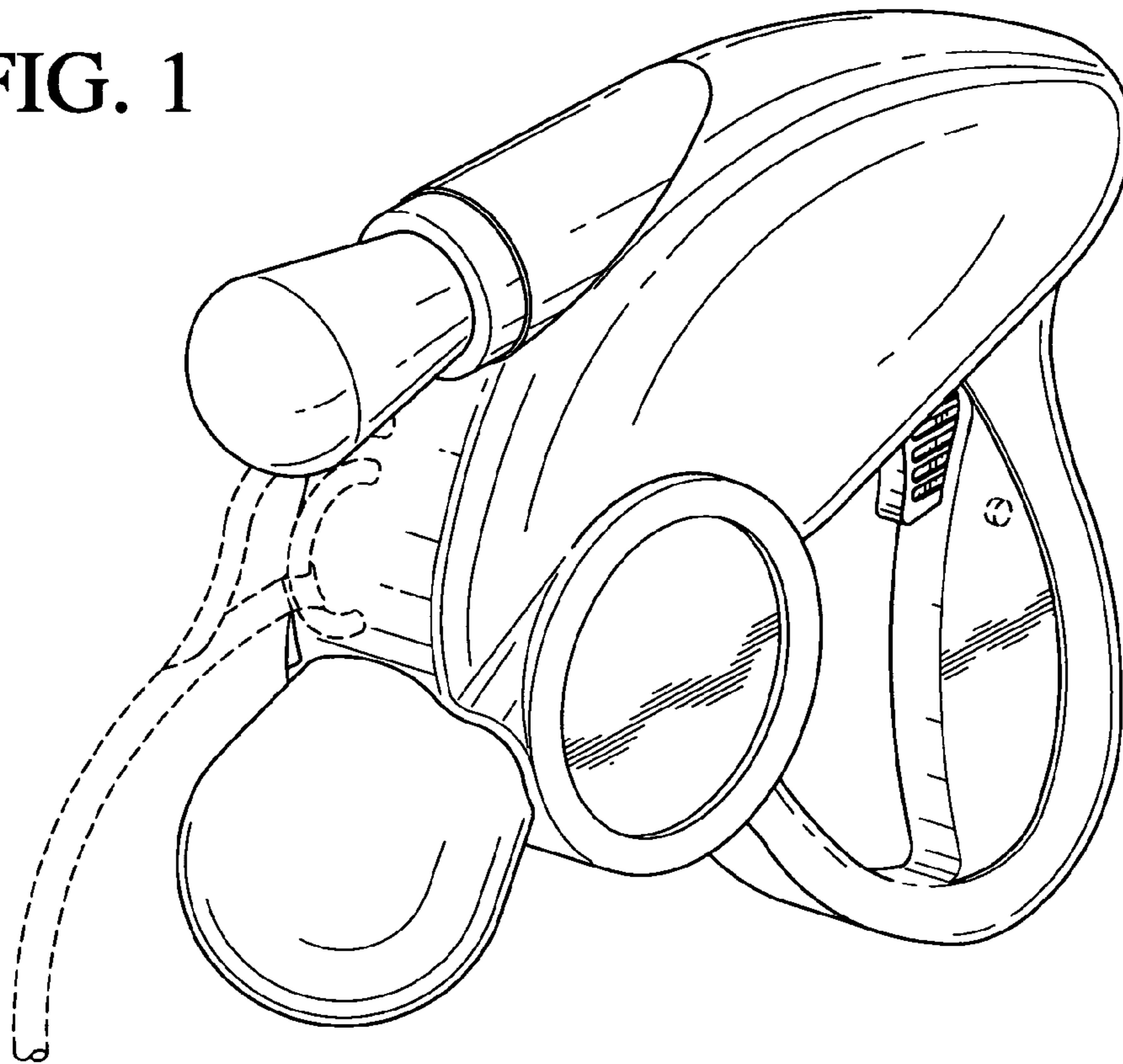


FIG. 2

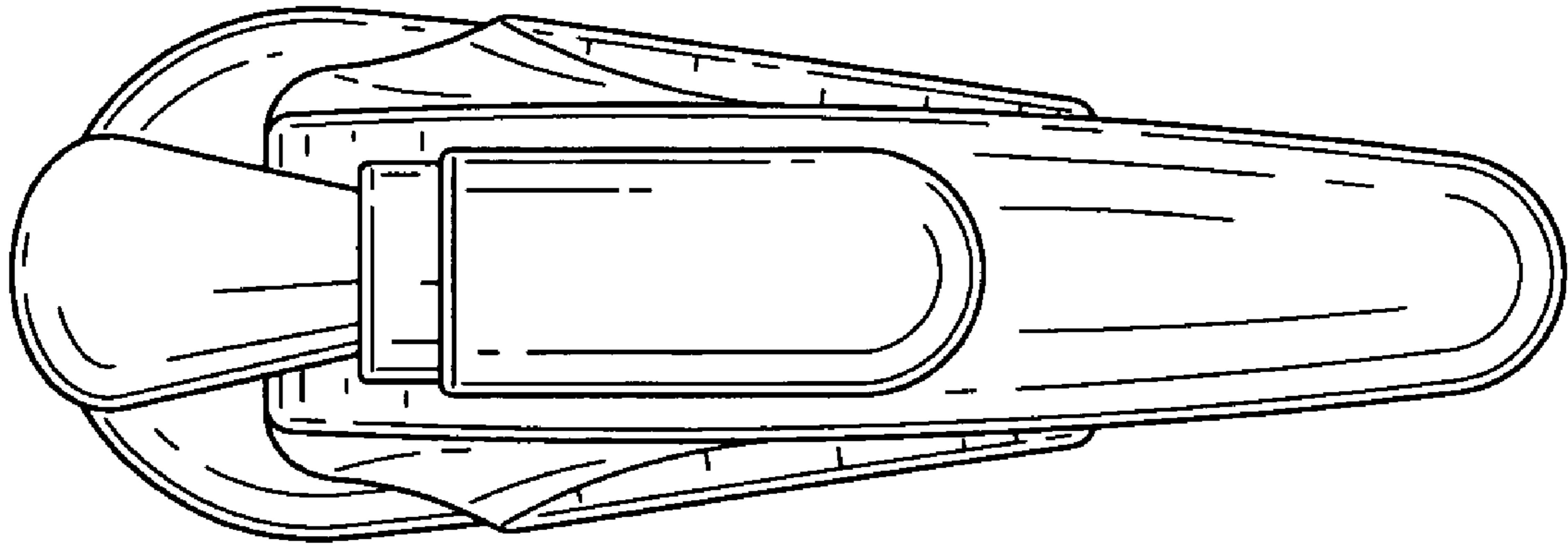


FIG. 3

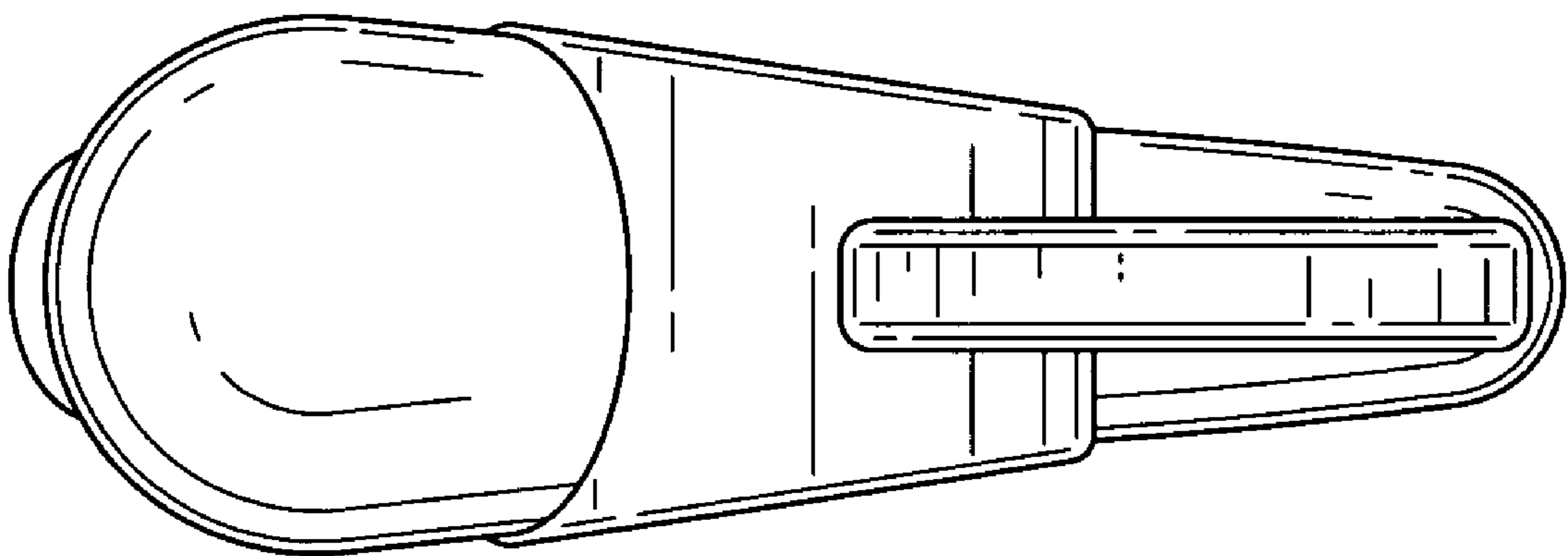


FIG. 4

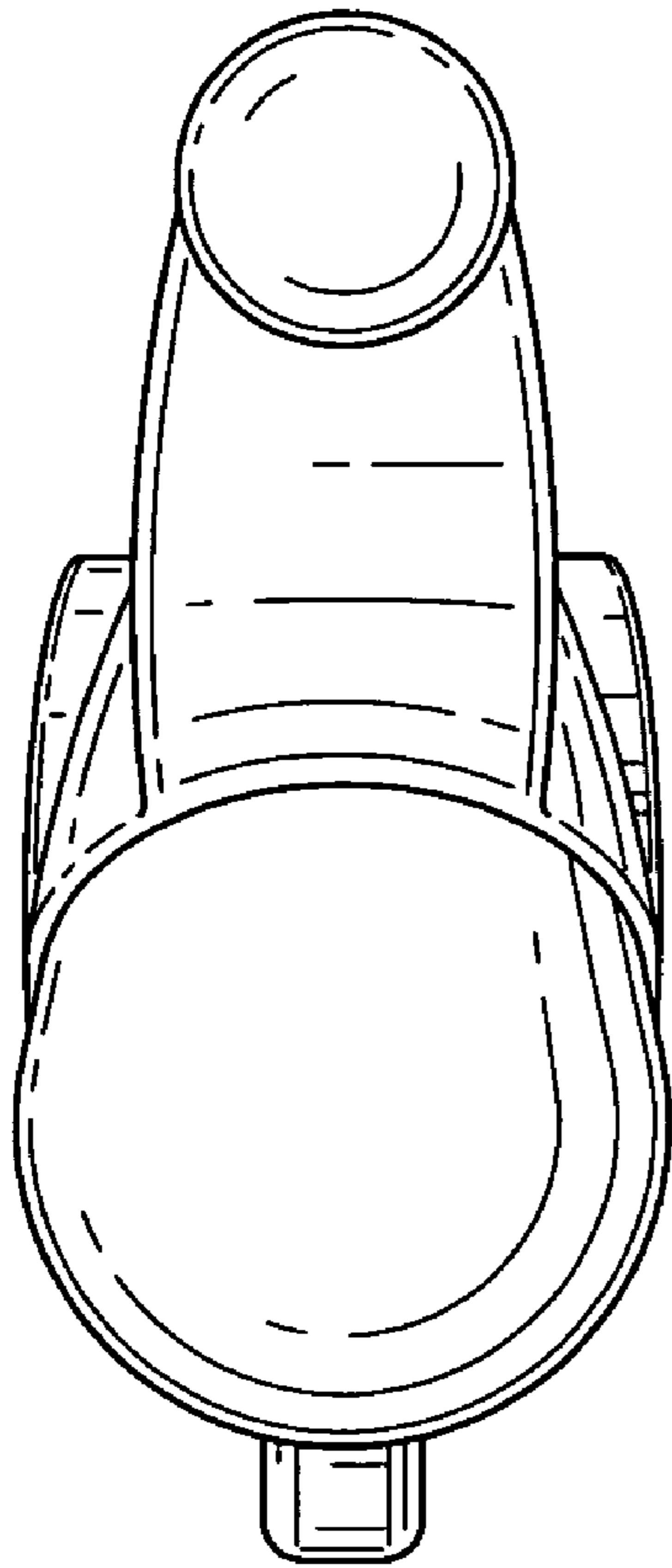


FIG. 5

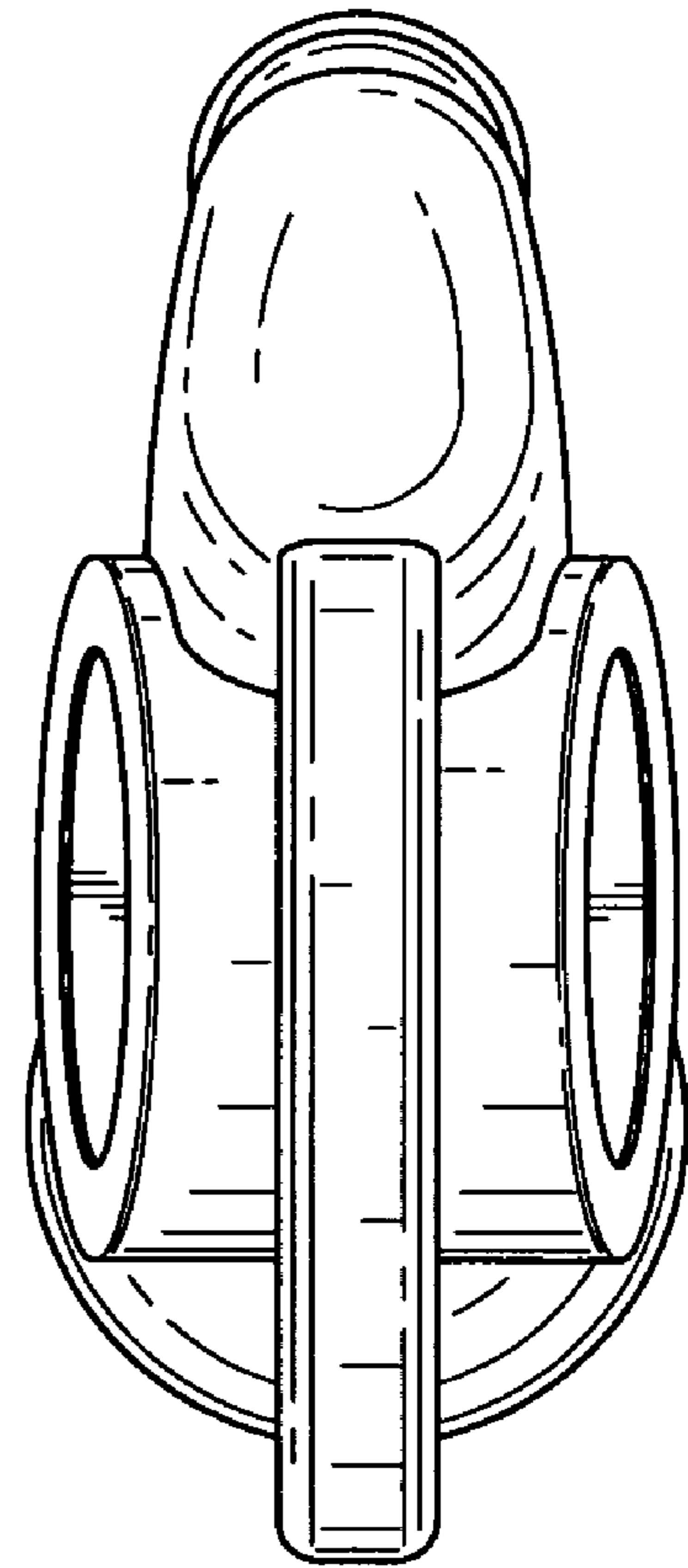


FIG. 6

FIG. 7

