

US00D635723S

(12) **United States Design Patent**  
**Young**

(10) **Patent No.:** **US D635,723 S**  
(45) **Date of Patent:** **\*\* Apr. 5, 2011**

- (54) **ANIMAL FEEDING AND WATERING STATION**
- (76) Inventor: **Brian Trevor Young**, Clendenin, WV (US)
- (\*\*) Term: **14 Years**
- (21) Appl. No.: **29/370,384**
- (22) Filed: **Jul. 12, 2010**
- (51) **LOC (9) Cl.** ..... **30-03**
- (52) **U.S. Cl.** ..... **D30/131; D30/121**
- (58) **Field of Classification Search** ..... D30/133, D30/121, 122, 124, 127, 128, 132, 129-131; 119/51.01, 61, 51.04, 53, 57.91, 54, 53.5, 119/52.4, 51.11, 63, 61.2, 52.1, 57.5, 57.6, 119/51.13, 62, 75, 500, 501, 73, 74, 51.12, 119/51.5, 52.2, 61.1, 60, 58, 59; 239/7, 687, 239/379, 397.5; 222/199, 181.1, 181.2, 185.1, 222/557, 156, 485, 486, 548, 555; 220/200, 220/227, 247, 262, 697-702; 221/174, 185.1, 221/289, 295, 296, 559; 454/35; 209/270, 209/283, 244; 52/194, 192; 49/279, 344, 49/357; D34/28; D7/409, 601; 211/181.1; 414/24.5; D32/53.1; 15/260, 262, 264, 257.01, 15/257.05, 257.06; 118/419; D9/424, 429  
See application file for complete search history.

1,799,946	A *	4/1931	Behler	.....	119/61.3
1,829,108	A *	10/1931	Petersen	.....	119/61.1
1,997,029	A *	4/1935	Abendroth	.....	119/61.3
2,011,684	A *	8/1935	Martin	.....	119/51.5
2,274,678	A *	3/1942	Eliason	.....	119/78
2,498,981	A *	2/1950	Darby	.....	119/51.5
3,180,319	A *	4/1965	France et al.	.....	119/61.1
D223,302	S *	4/1972	Golden et al.	.....	D32/53.1
D243,269	S *	2/1977	Baumgaertner	.....	D11/156
4,934,311	A *	6/1990	Topelko	.....	118/419
D313,374	S *	1/1991	Hartley	.....	D11/156
D351,709	S *	10/1994	Williams	.....	D34/28
D357,210	S *	4/1995	Tomlinson et al.	.....	D11/156
D369,001	S *	4/1996	Hedges	.....	D32/53.1
D403,268	S *	12/1998	Dignam	.....	D11/156
D419,736	S *	1/2000	Clark	.....	D32/53.1

\* cited by examiner

*Primary Examiner* — Susan Moon Lee  
(74) *Attorney, Agent, or Firm* — Richard L. Mikesell

(57) **CLAIM**  
The ornamental design for an animal feeding and watering station, as shown and described.

**DESCRIPTION**

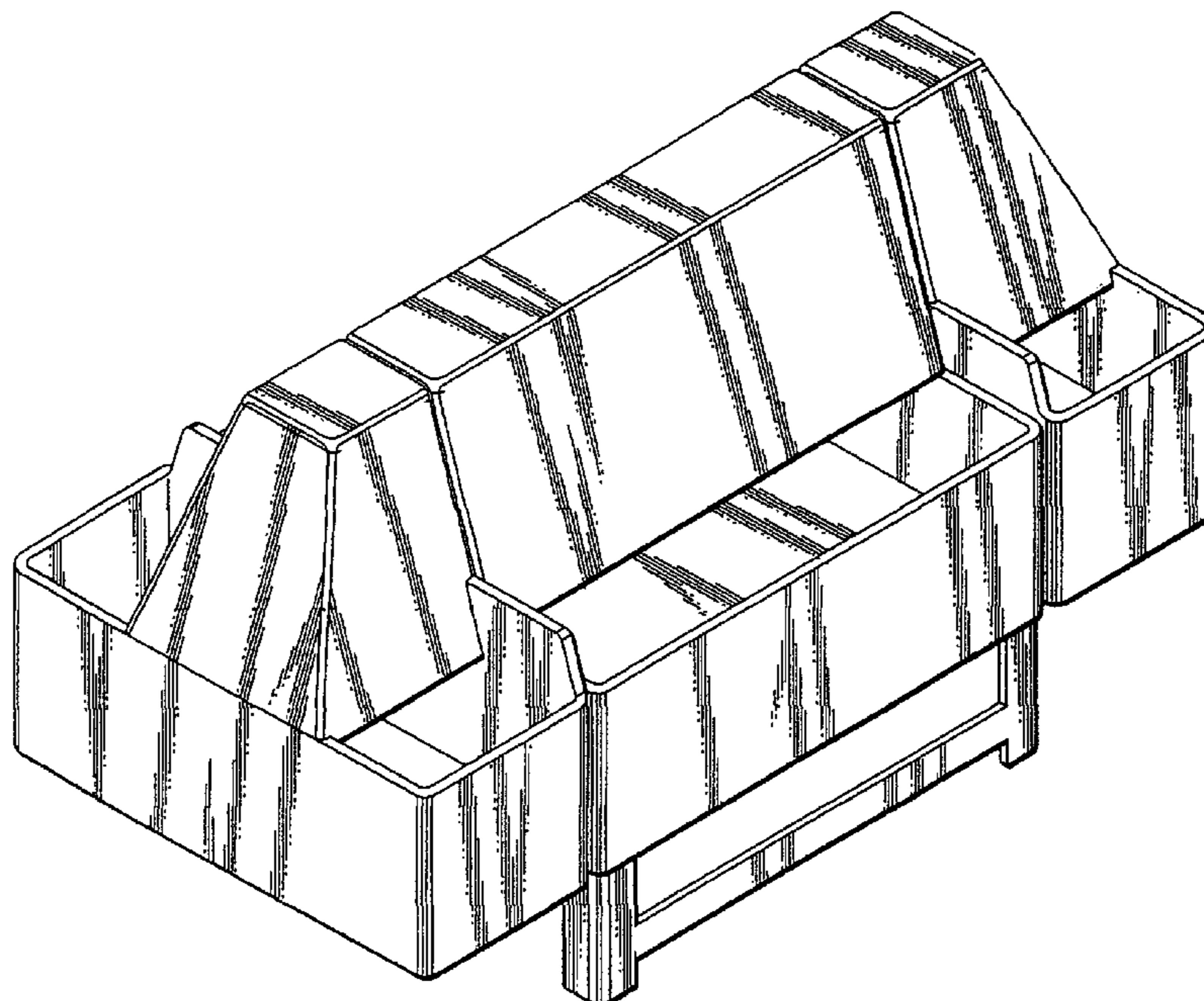
FIG. 1 is a top right perspective view of an animal feeding and watering station;  
FIG. 2 is a right side elevation thereof;  
FIG. 3 is a left side elevation view thereof, in which live hinges are visible;  
FIG. 4 is a top plan view thereof;  
FIG. 5 is a bottom plan view thereof;  
FIG. 6 is an end elevation view thereof;  
FIG. 7 is a front elevation view thereof; and,  
FIG. 8 is a top right perspective view of the animal feeding and watering station shown in a detached condition.

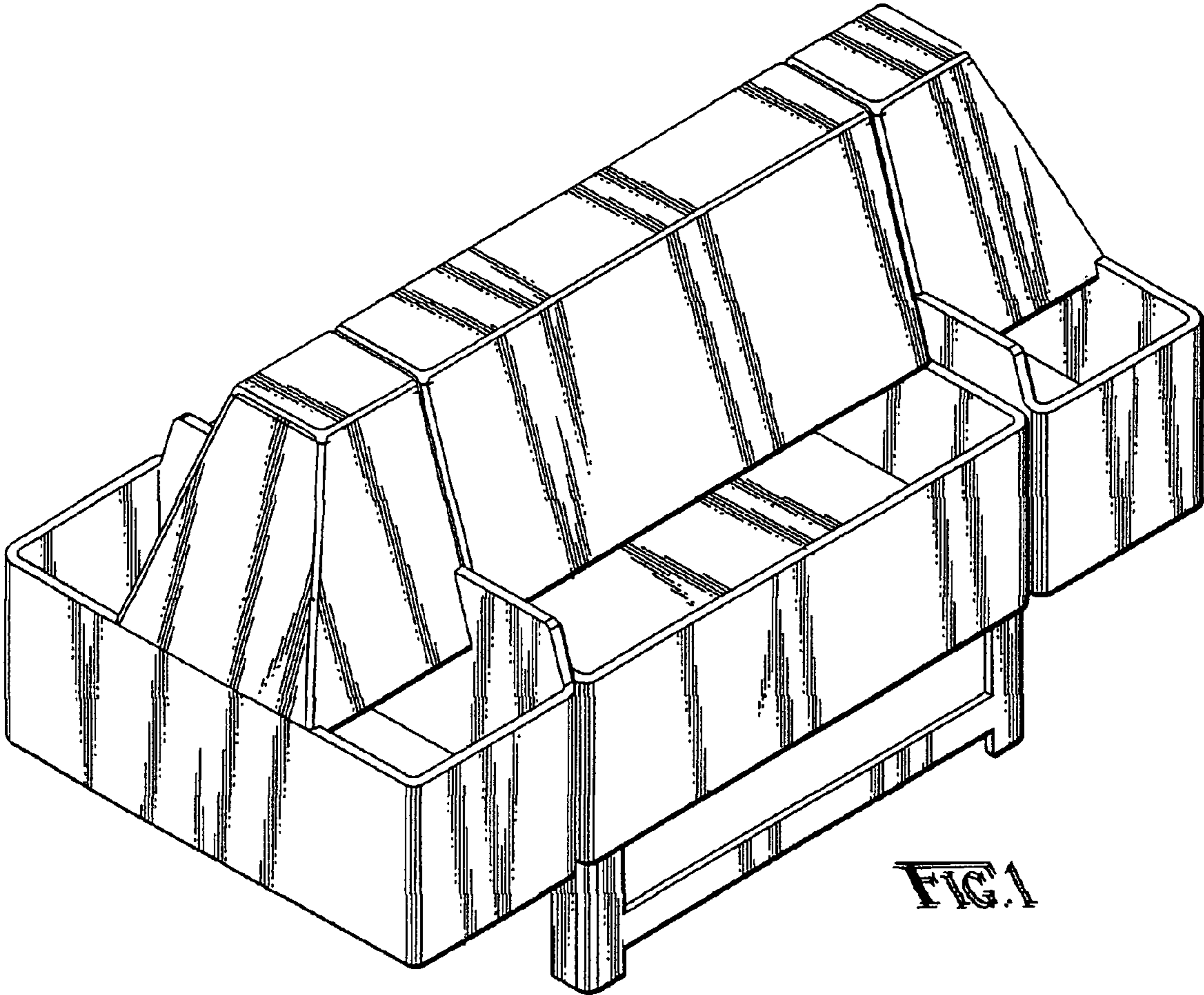
**1 Claim, 5 Drawing Sheets**

(56) **References Cited**

U.S. PATENT DOCUMENTS

1,424,371	A *	8/1922	Naylor et al.	.....	119/61.1
1,498,697	A *	6/1924	Scholle	.....	119/53
1,553,502	A *	9/1925	Boyes	.....	119/51.5
1,644,660	A *	10/1927	Arkfeld	.....	119/78
1,774,947	A *	9/1930	Rowley	.....	119/53





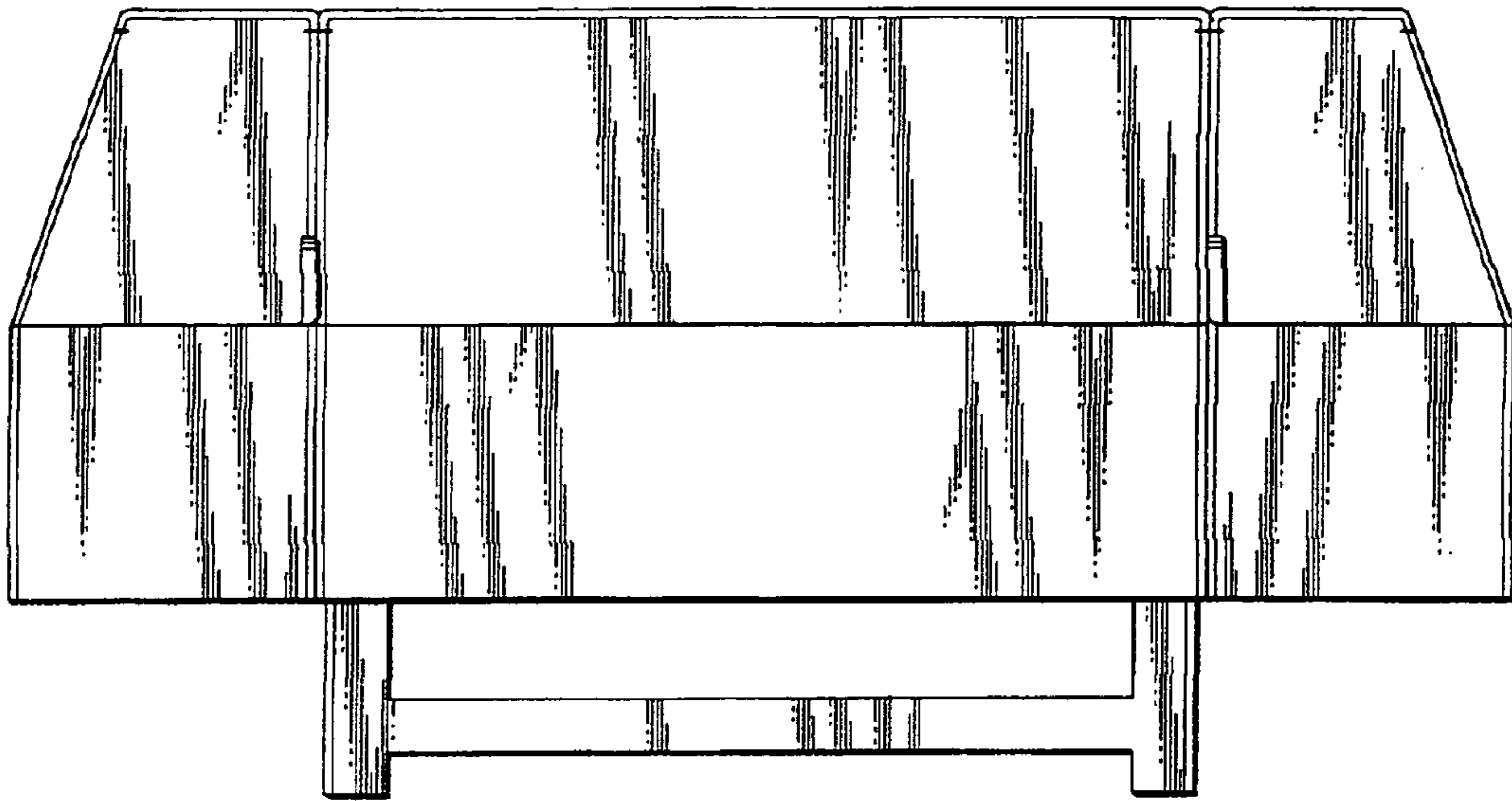


FIG. 2

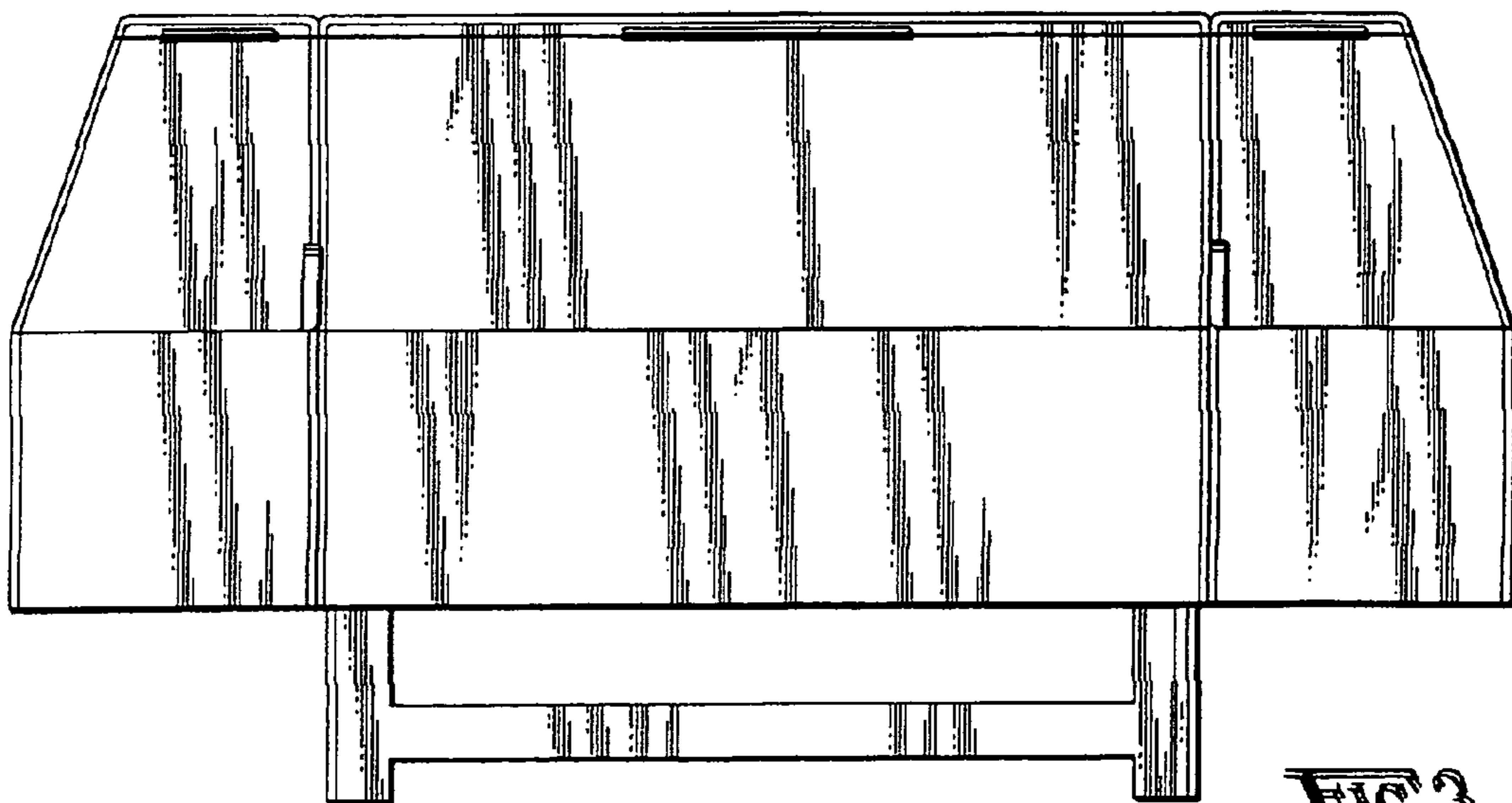


FIG. 3

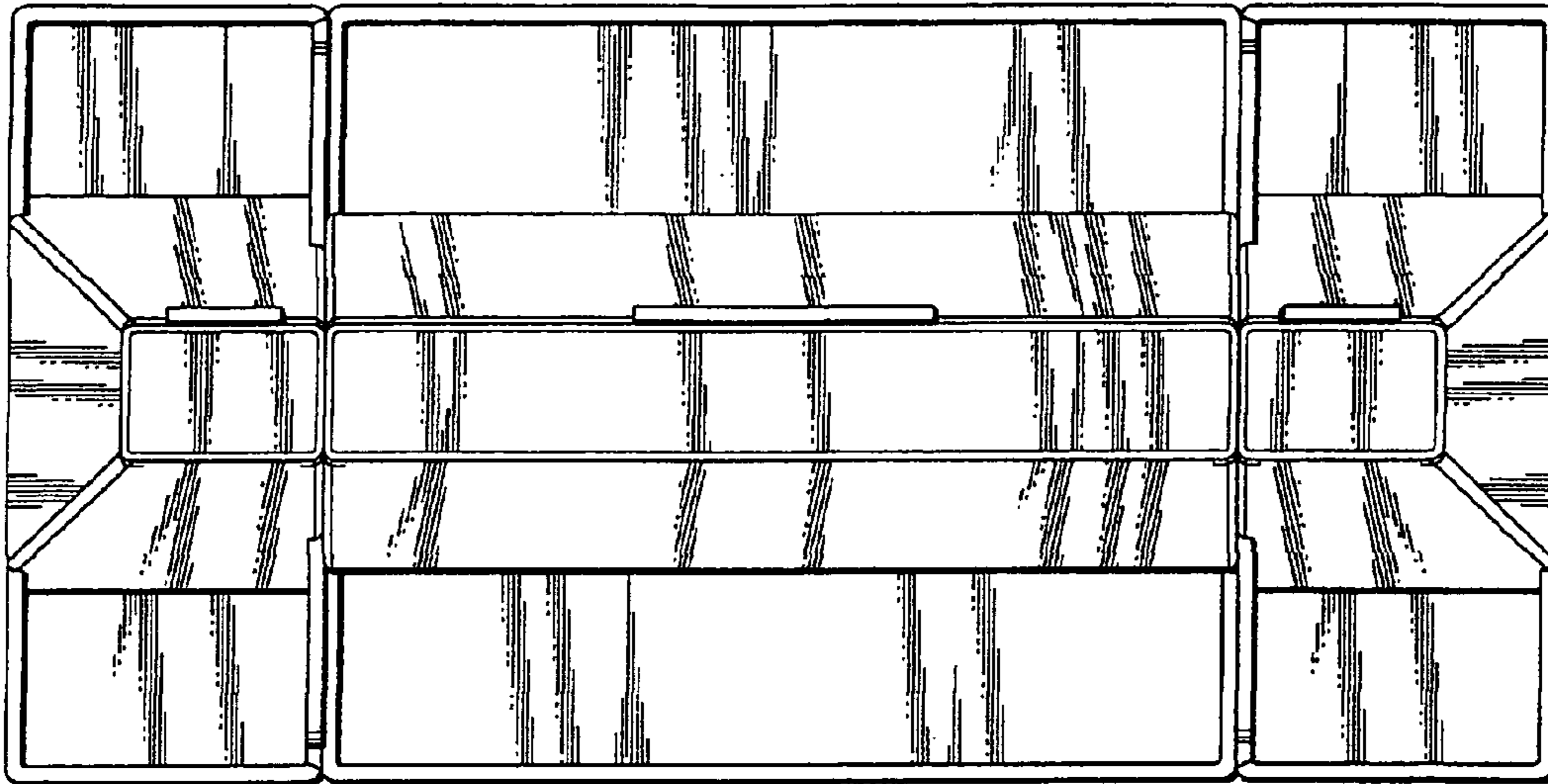


FIG. 4

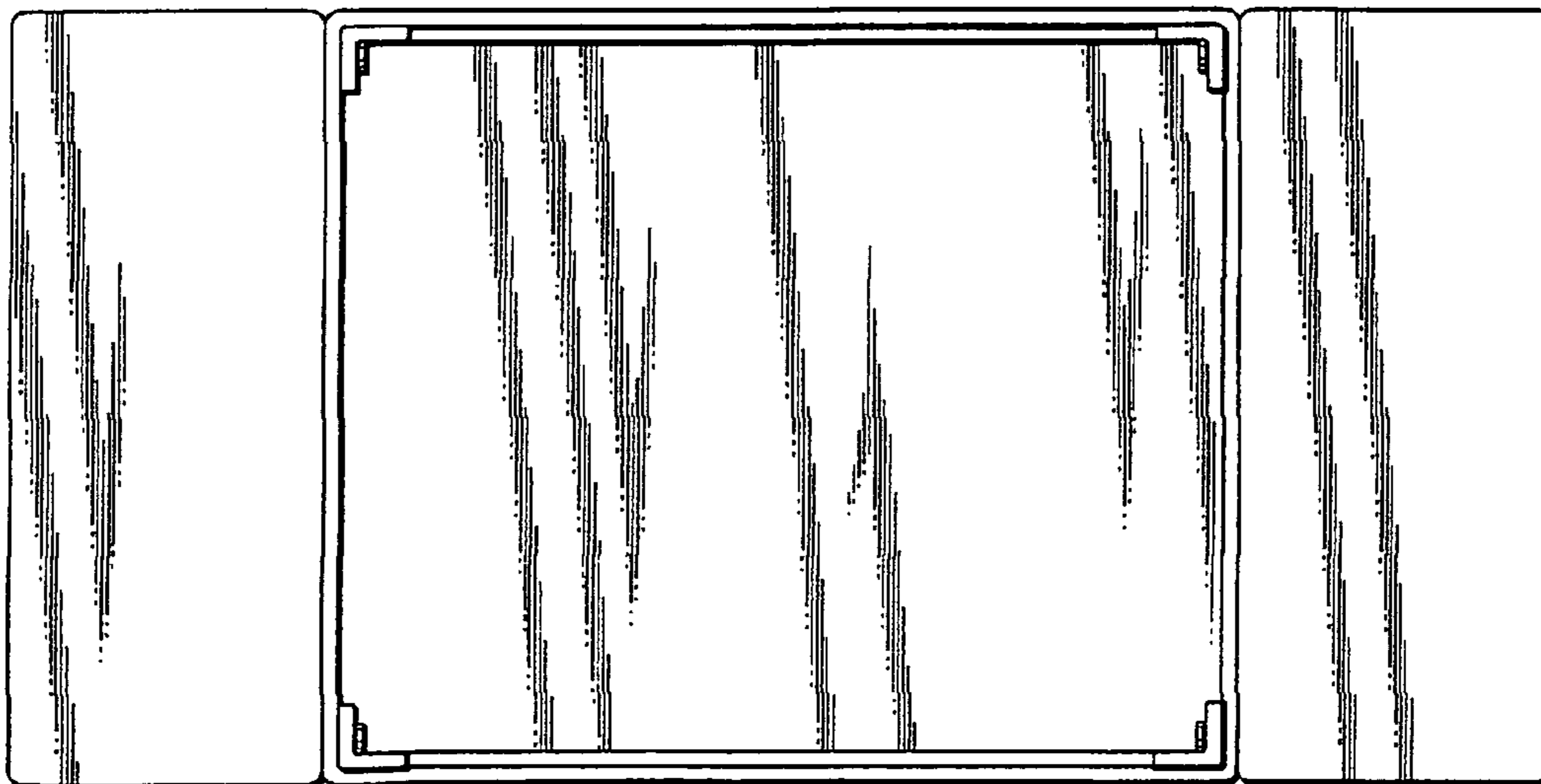


FIG. 5

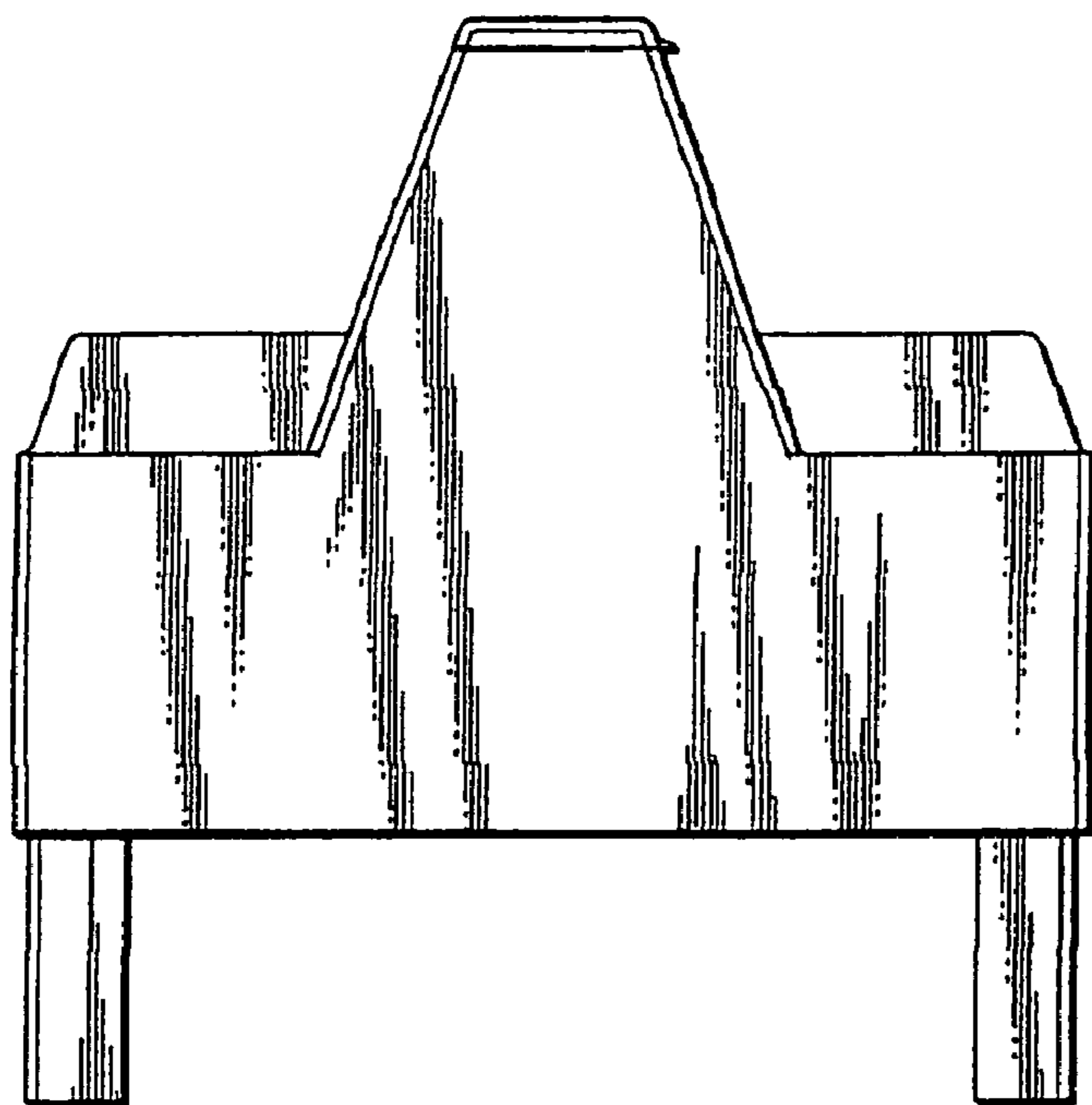


FIG. 6

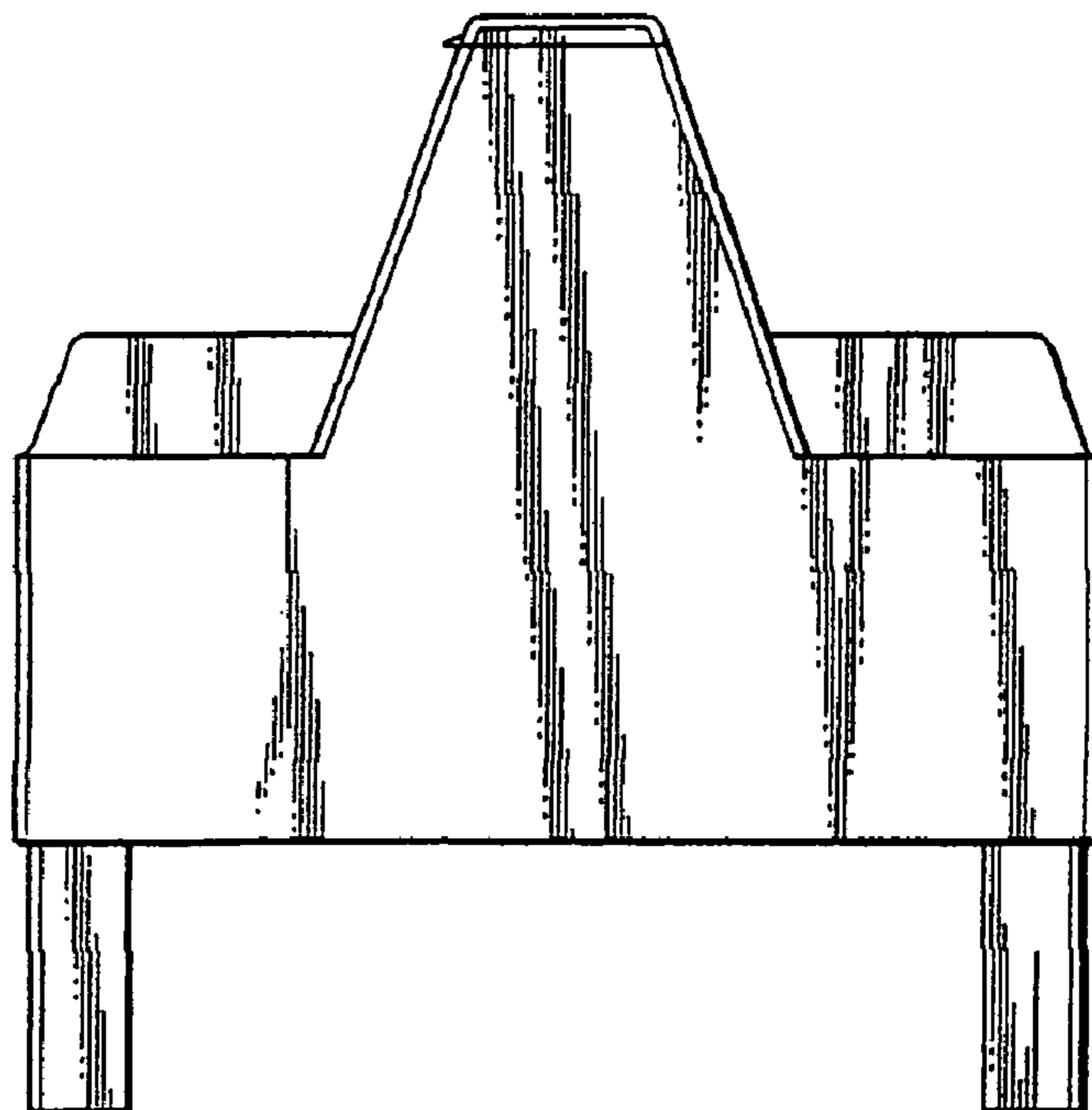


FIG. 7

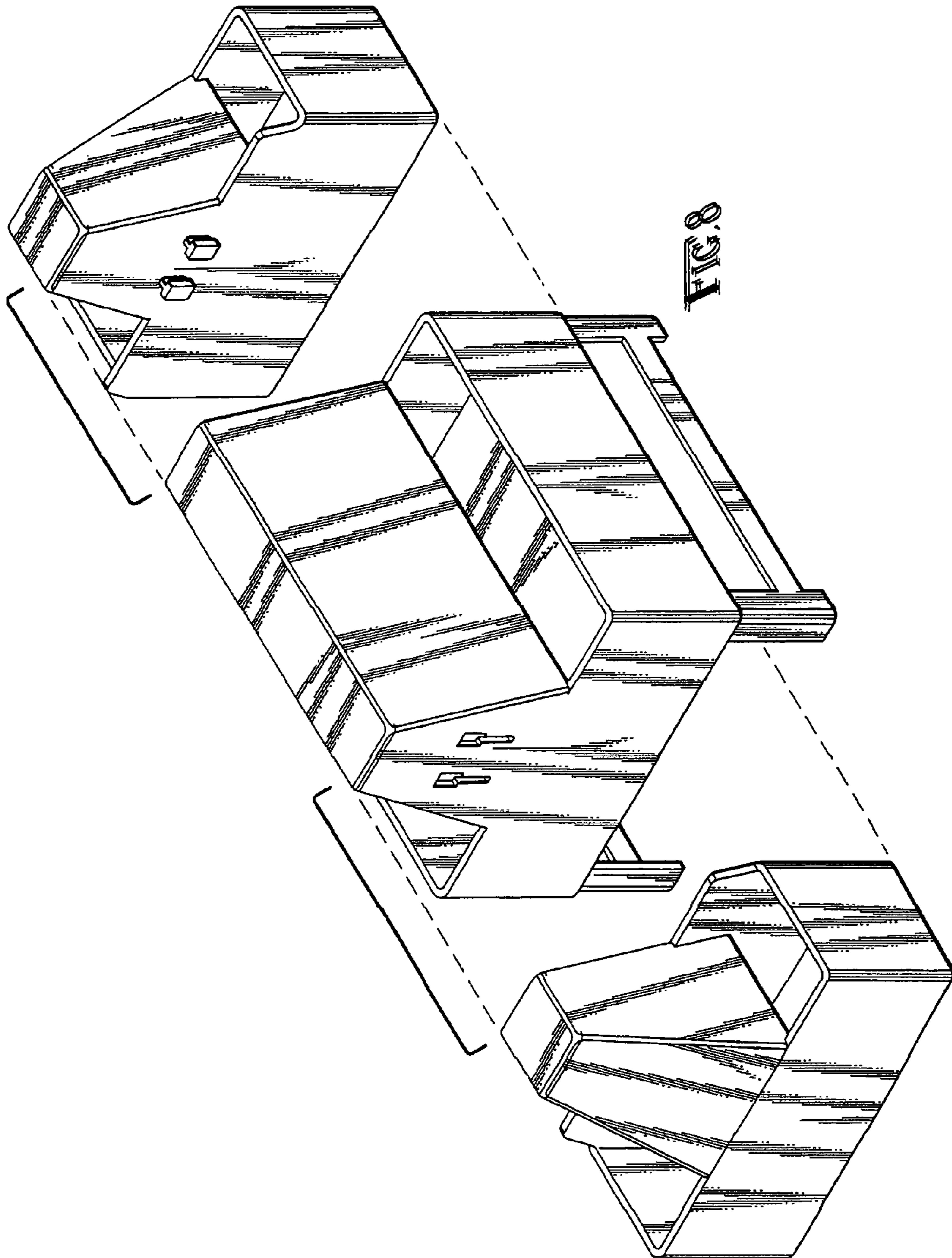


FIG. 8