



US00D635714S

(12) **United States Design Patent**
Rojas

(10) **Patent No.:** **US D635,714 S**

(45) **Date of Patent:** **** Apr. 5, 2011**

(54) **MATCH HOLDING CIGARETTE BOX**

(76) Inventor: **Luis M. Rojas**, Fort Lauderdale, FL
(US)

(**) Term: **14 Years**

(21) Appl. No.: **29/362,373**

(22) Filed: **May 25, 2010**

(51) **LOC (9) Cl.** **27-06**

(52) **U.S. Cl.** **D27/175; D27/187; D9/423; D9/721**

(58) **Field of Classification Search** 206/85-95;
D27/172-175, 186-187, 189; D9/423, 432,
D9/721

See application file for complete search history.

(56) **References Cited**

U.S. PATENT DOCUMENTS

1,504,357	A	8/1924	Lebwohl	
2,494,724	A *	1/1950	Schmidt	206/95
2,975,890	A	3/1961	Block	
3,012,661	A *	12/1961	Kennard	206/93
3,065,849	A *	11/1962	Rice et al.	206/92
D243,350	S *	2/1977	Shibata	D27/175
4,355,716	A *	10/1982	Berrio de la Fe	206/90

D273,660	S *	5/1984	Weinberg	D27/187
4,887,711	A *	12/1989	Bladt	206/92
5,096,057	A *	3/1992	Yoo	206/90
6,644,470	B1 *	11/2003	Grayson	206/92
2003/0205487	A1 *	11/2003	Lin	206/86
2007/0272566	A1 *	11/2007	Divers	206/94

* cited by examiner

Primary Examiner — Jennifer Rivard

(74) *Attorney, Agent, or Firm* — Crossley Patent Law; Mark A. Crossley

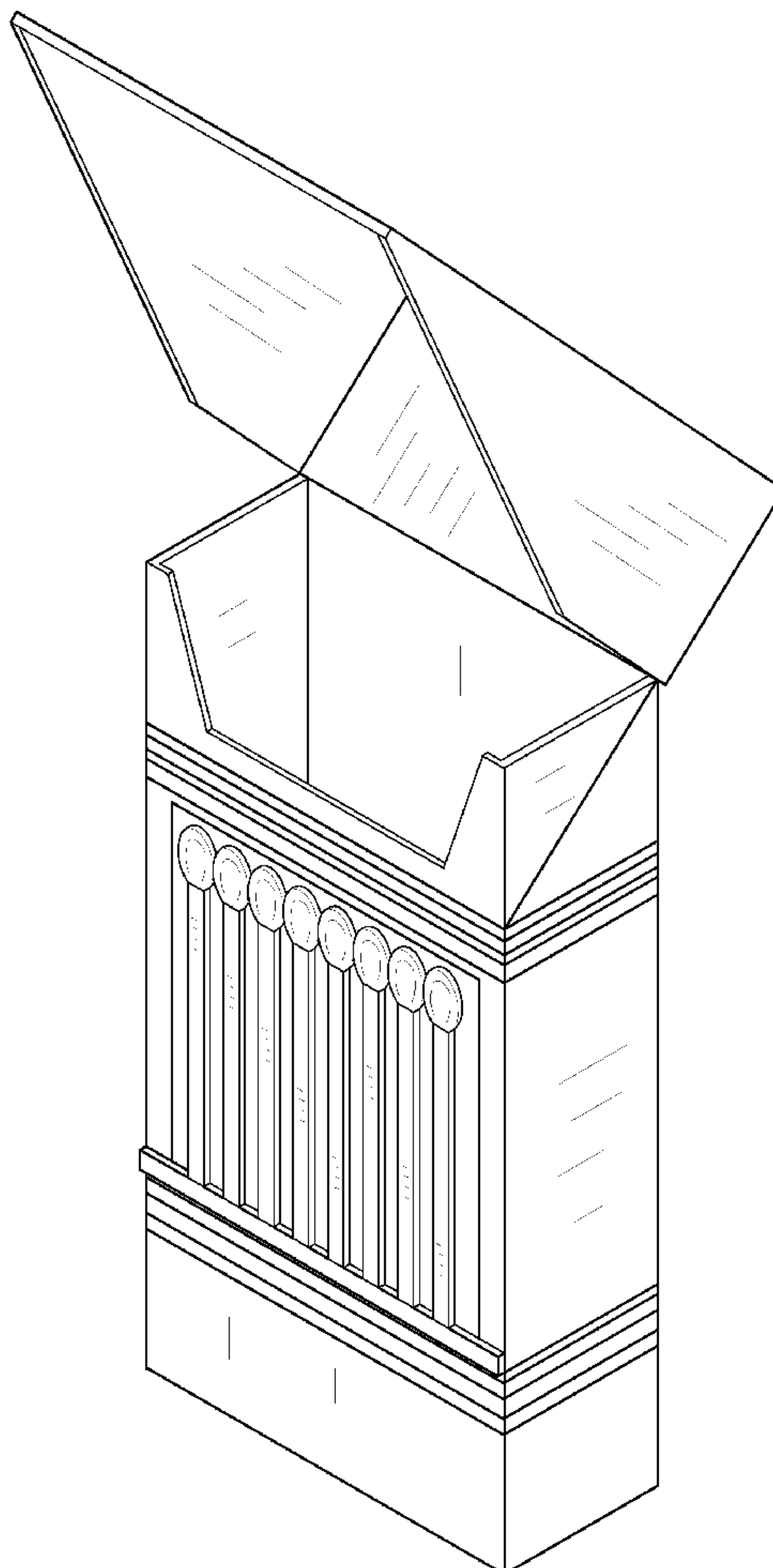
(57) **CLAIM**

The ornamental design for a match holding cigarette box, as shown and described.

DESCRIPTION

FIG. 1 is a front elevation view of a match holding cigarette box showing my new design in an open position; FIG. 2 is a rear elevation view thereof; FIG. 3 is a right elevation view thereof; FIG. 4 is a left elevation view thereof; FIG. 5 is a top plan view thereof; FIG. 6 is a bottom plan view thereof; and, FIG. 7 is an isometric view thereof.

1 Claim, 4 Drawing Sheets



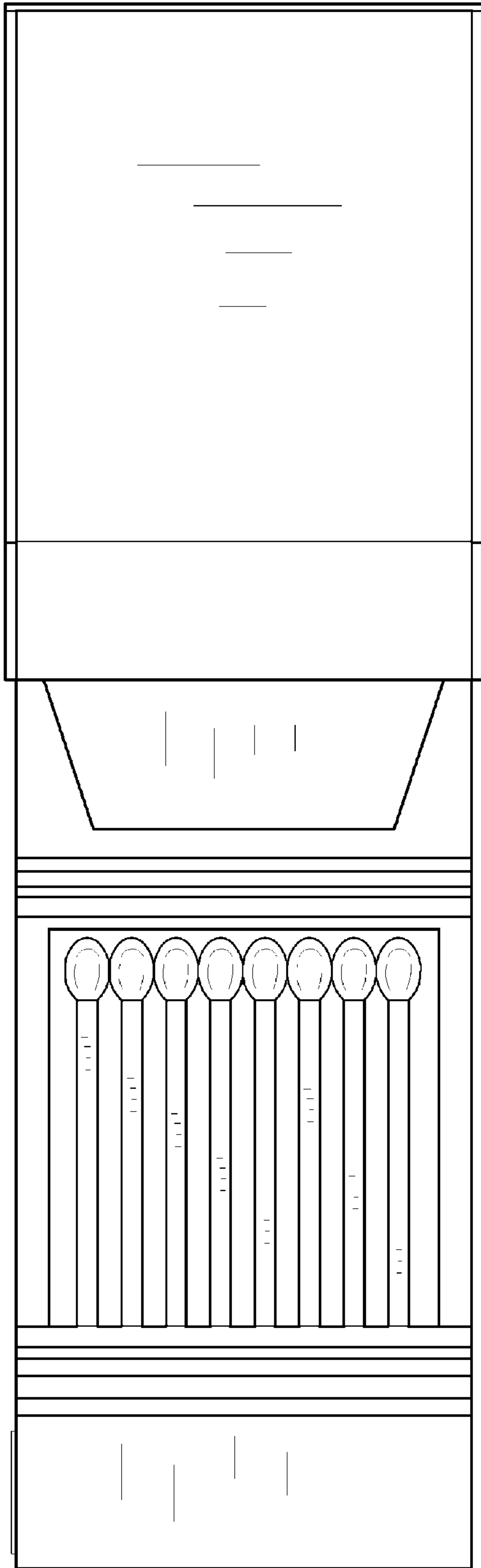


FIG. 1

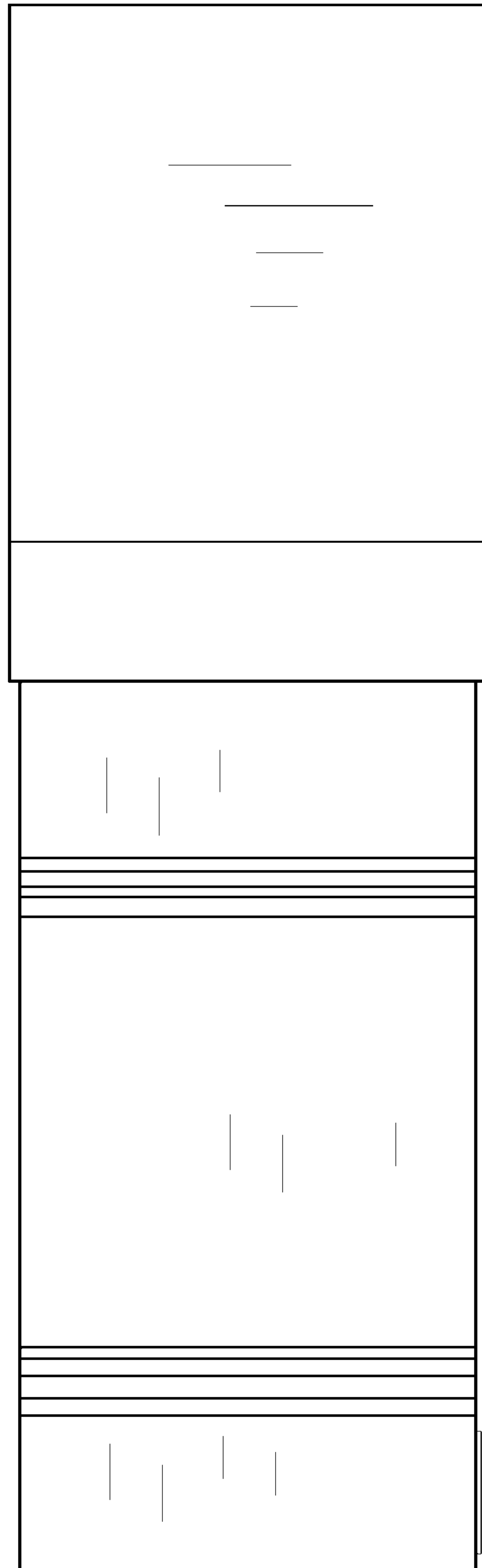


FIG. 2

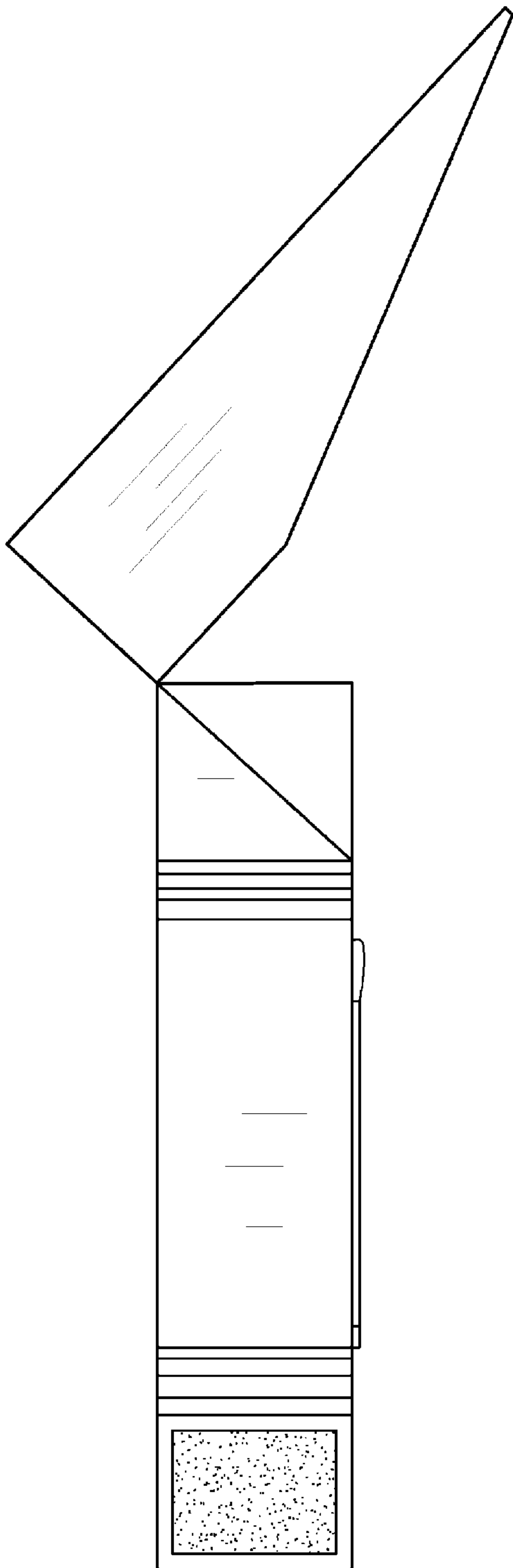


FIG. 3

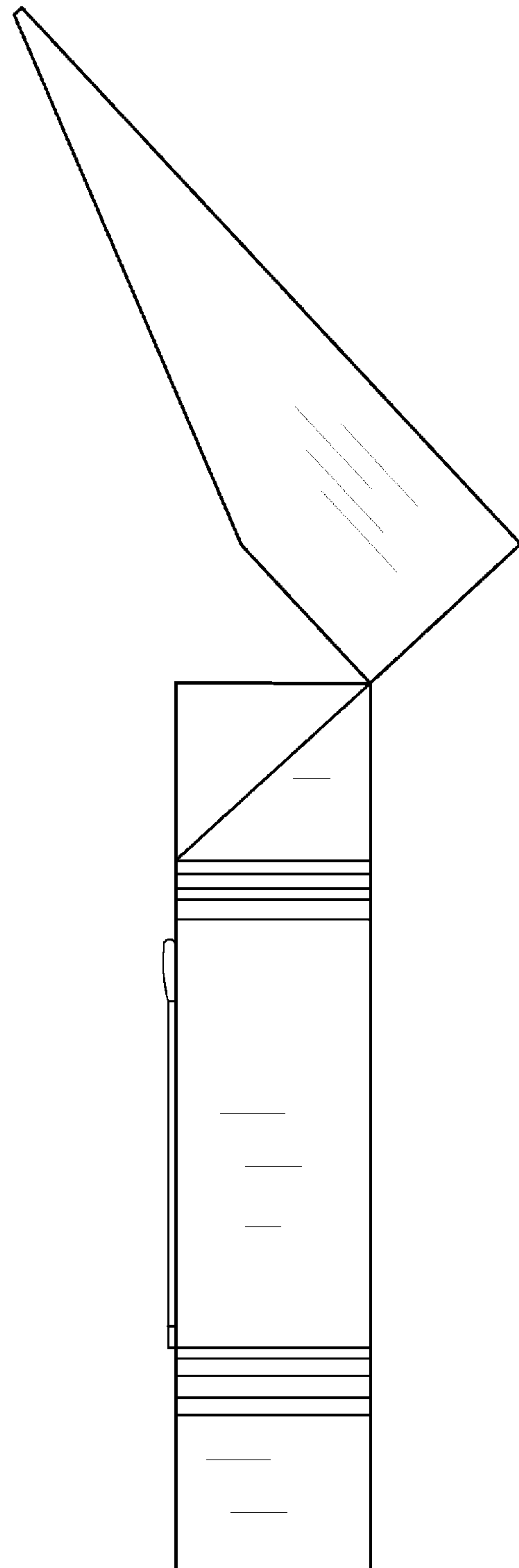


FIG. 4

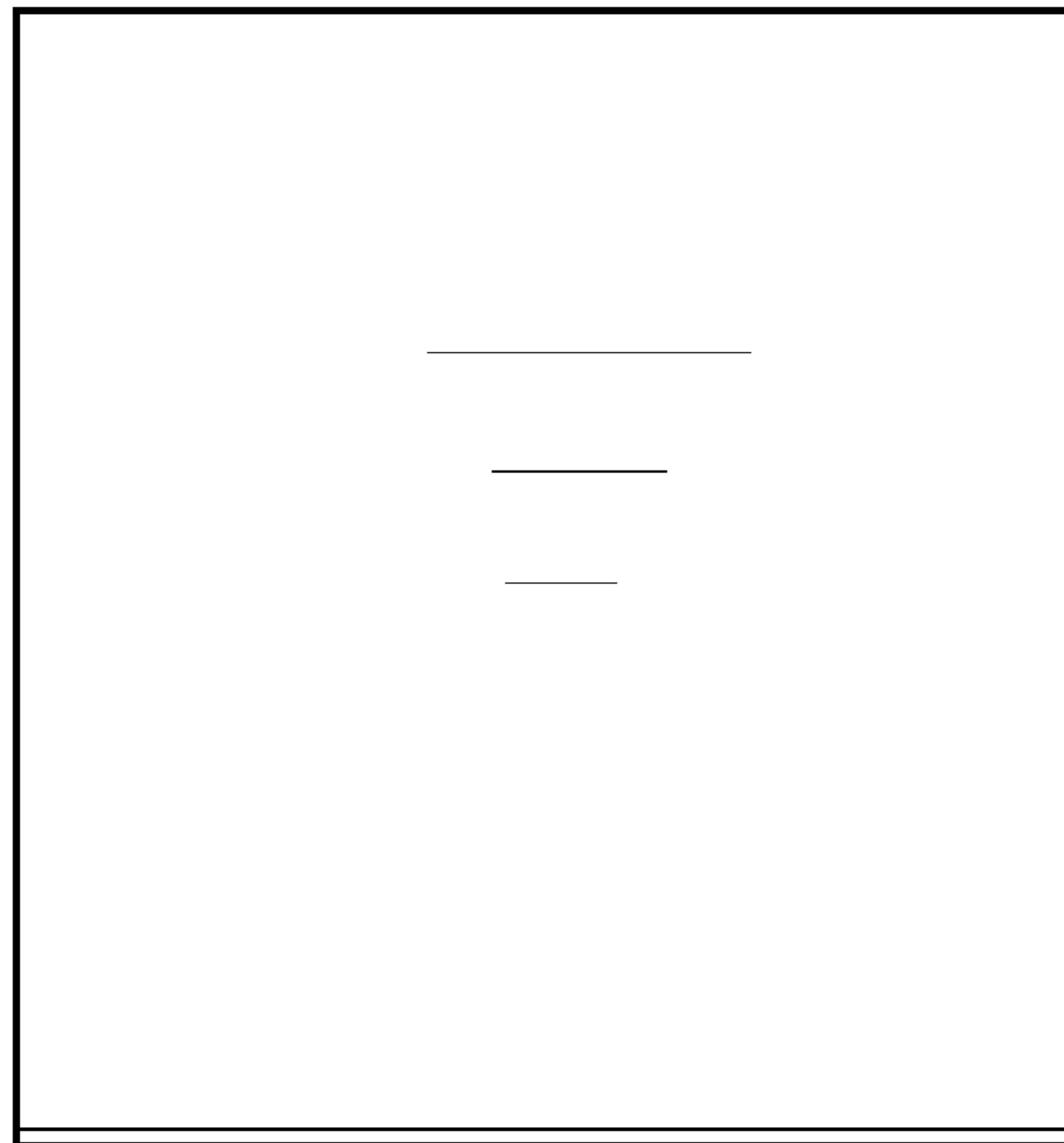


FIG. 5

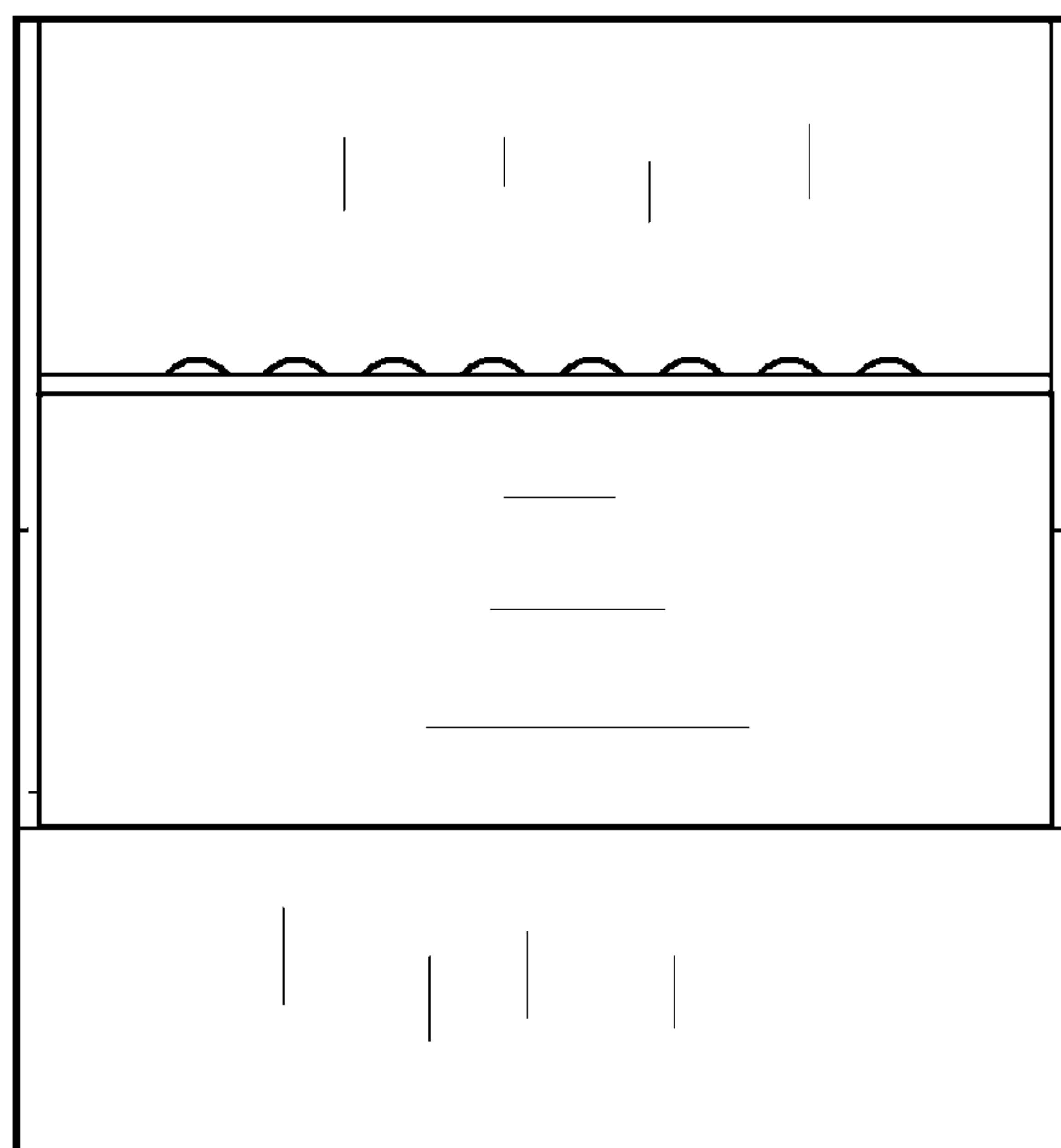


FIG. 6

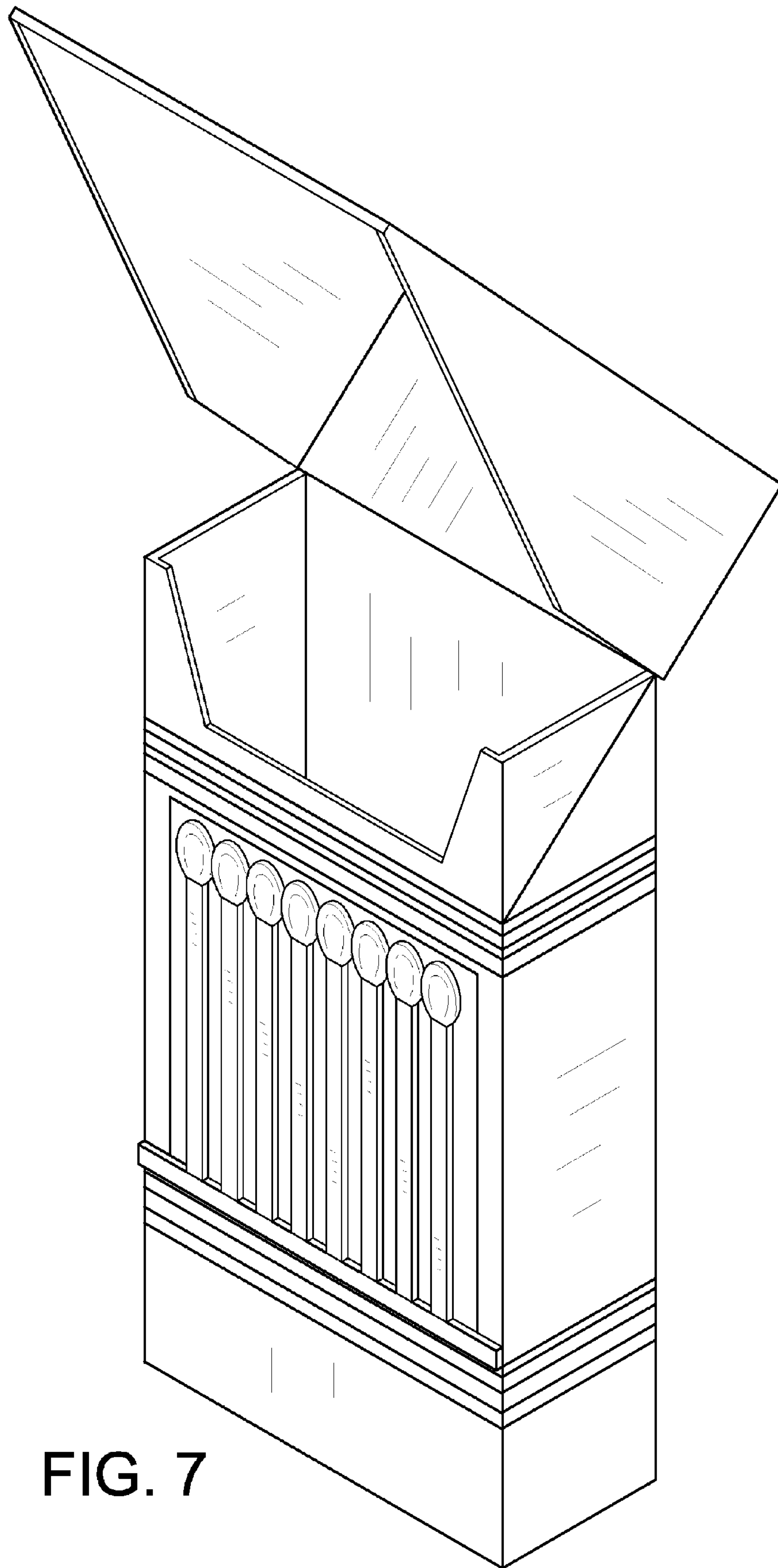


FIG. 7