



US00D635712S

(12) **United States Design Patent**
Leen

(10) **Patent No.:** **US D635,712 S**

(45) **Date of Patent:** **** Apr. 5, 2011**

(54) **WORKLIGHT HOUSING**

(76) Inventor: **Monte Leen**, Bellevue, WA (US)

(**) Term: **14 Years**

(21) Appl. No.: **29/355,679**

(22) Filed: **Feb. 11, 2010**

(51) **LOC (9) Cl.** **26-99**

(52) **U.S. Cl.** **D26/118**

(58) **Field of Classification Search** D26/124,
D26/123, 129, 130, 131, 120, 113, 152, 138,
D26/72, 77, 81, 83, 139, 85, 71, 87, 26, 118,
D26/125, 73, 9, 134, 84, 127, 63, 50, 119,
D26/60, 67, 128, 88, 86, 141, 142, 145, 153,
D26/154, 155, 76, 78, 122; 428/26; 362/147,
362/351, 365, 350, 348, 335, 364, 235, 249.02,
362/294, 345, 366, 249.1, 25, 240, 376, 221,
362/223, 325, 342; D12/163, 193; D11/125,
D11/121, 49, 117, 184; D1/106, 107; D23/366;
D6/332

See application file for complete search history.

(56) **References Cited**

U.S. PATENT DOCUMENTS

5,243,507	A *	9/1993	Atkins et al.	362/376
D345,226	S *	3/1994	Tsao	D26/63
D355,502	S *	2/1995	Liao	D26/67
5,455,756	A *	10/1995	Sumer et al.	362/376
D367,540	S *	2/1996	Lee	D26/63
D369,227	S *	4/1996	Sumer	D26/63
D375,377	S *	11/1996	Leen	D26/63
D380,568	S *	7/1997	Landy	D26/63
D403,455	S *	12/1998	Duennes	D26/50

D407,836	S *	4/1999	Leen	D26/63
5,984,490	A *	11/1999	Leen	362/240
D461,018	S *	7/2002	Leen	D26/60
D486,261	S *	2/2004	Tsai	D26/63
D486,599	S *	2/2004	Bayat et al.	D26/63
6,902,303	B2 *	6/2005	Lee	362/362
D519,238	S *	4/2006	Leen	D26/119
7,028,634	B1 *	4/2006	Lee	116/207
D566,318	S *	4/2008	Quiogue et al.	D26/63
D574,102	S *	7/2008	Quiogue et al.	D26/63

* cited by examiner

Primary Examiner — Cathron C Brooks

Assistant Examiner — Kevin K Rudzinski

(74) *Attorney, Agent, or Firm* — Dean A. Craine

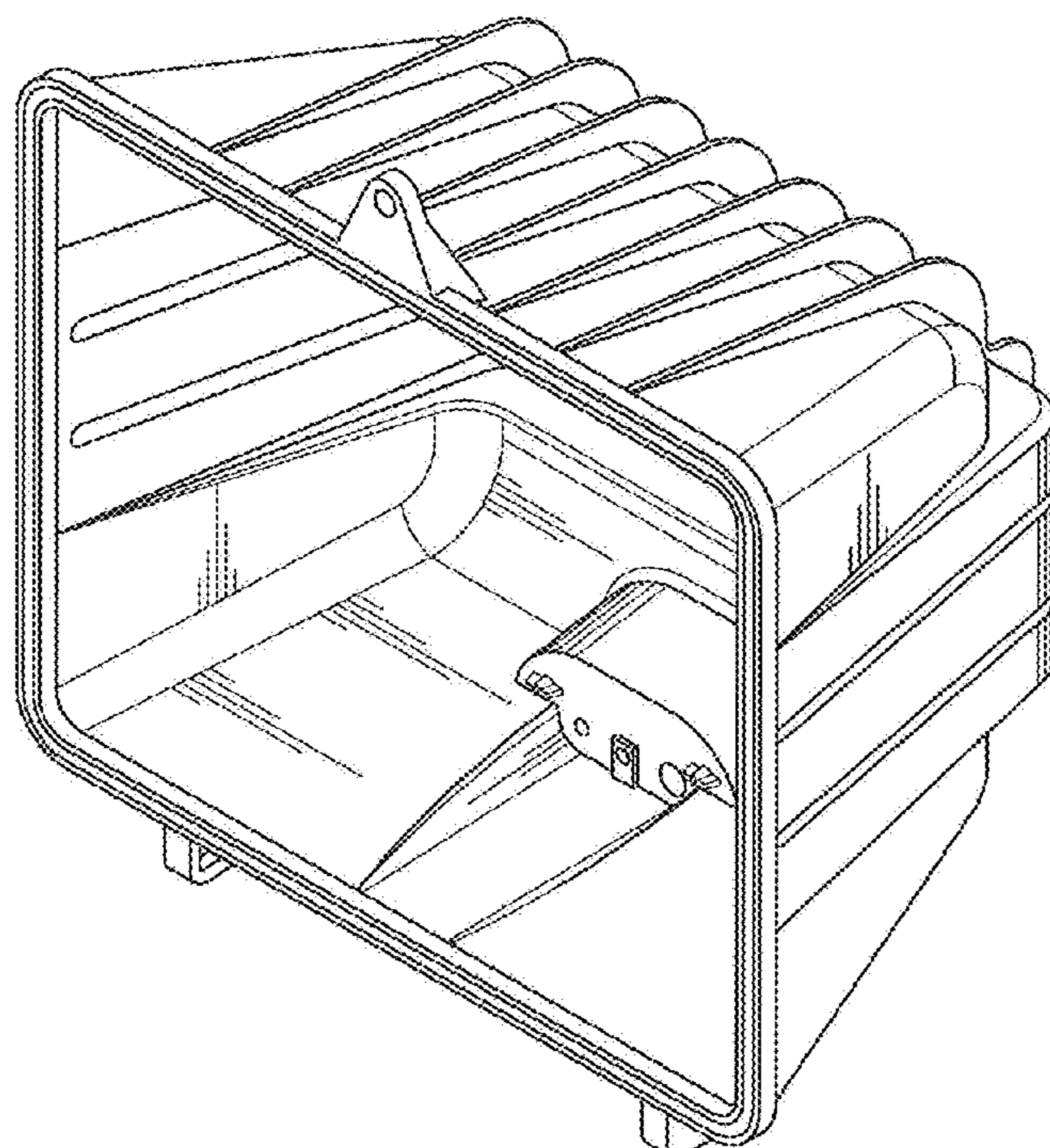
(57) **CLAIM**

The ornamental design for a worklight housing, as shown and described.

DESCRIPTION

FIG. 1 is a perspective view of the worklight housing.
FIG. 2 is a right side elevational view of the invention.
FIG. 3 is a left side elevational view of the invention.
FIG. 4 is a top plan view of the invention.
FIG. 5 is a front elevational view of the invention.
FIG. 6 is a rear elevational view of the invention; and,
FIG. 7 is a bottom plan view of the invention.
The broken lines shown in the drawings illustrate unclaimed portions of the worklight housing and form no part of the claimed design.

1 Claim, 4 Drawing Sheets



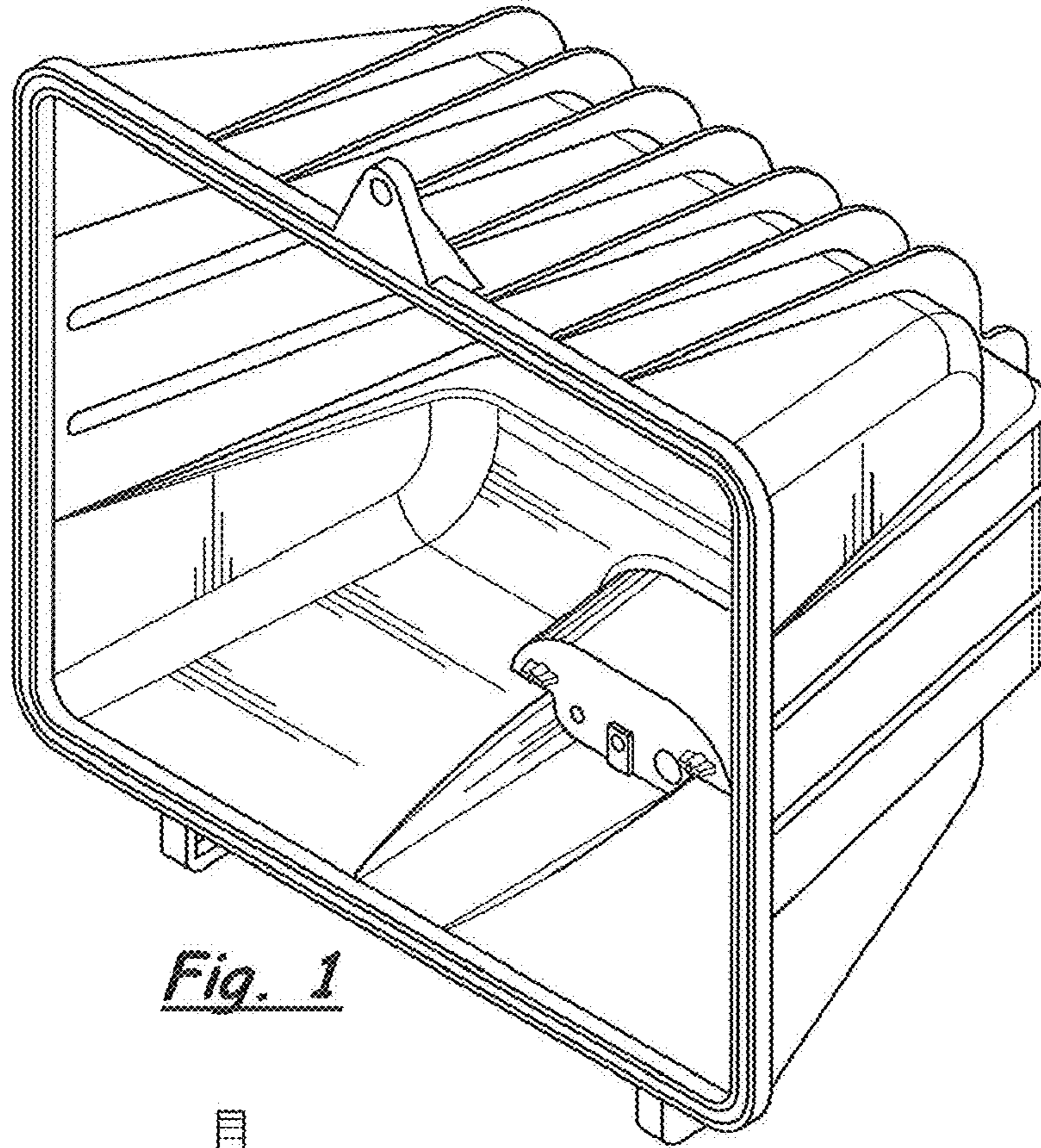


Fig. 1

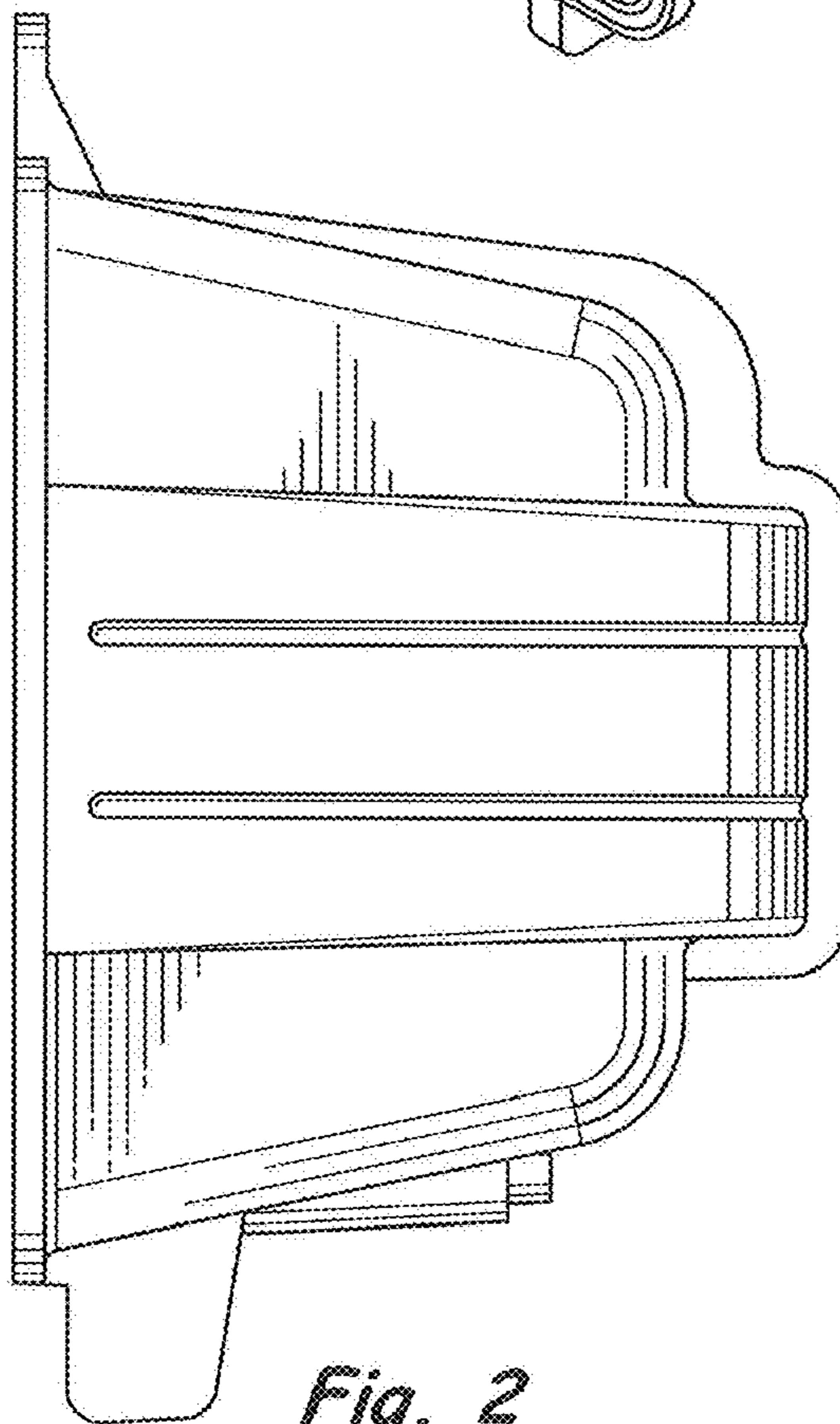
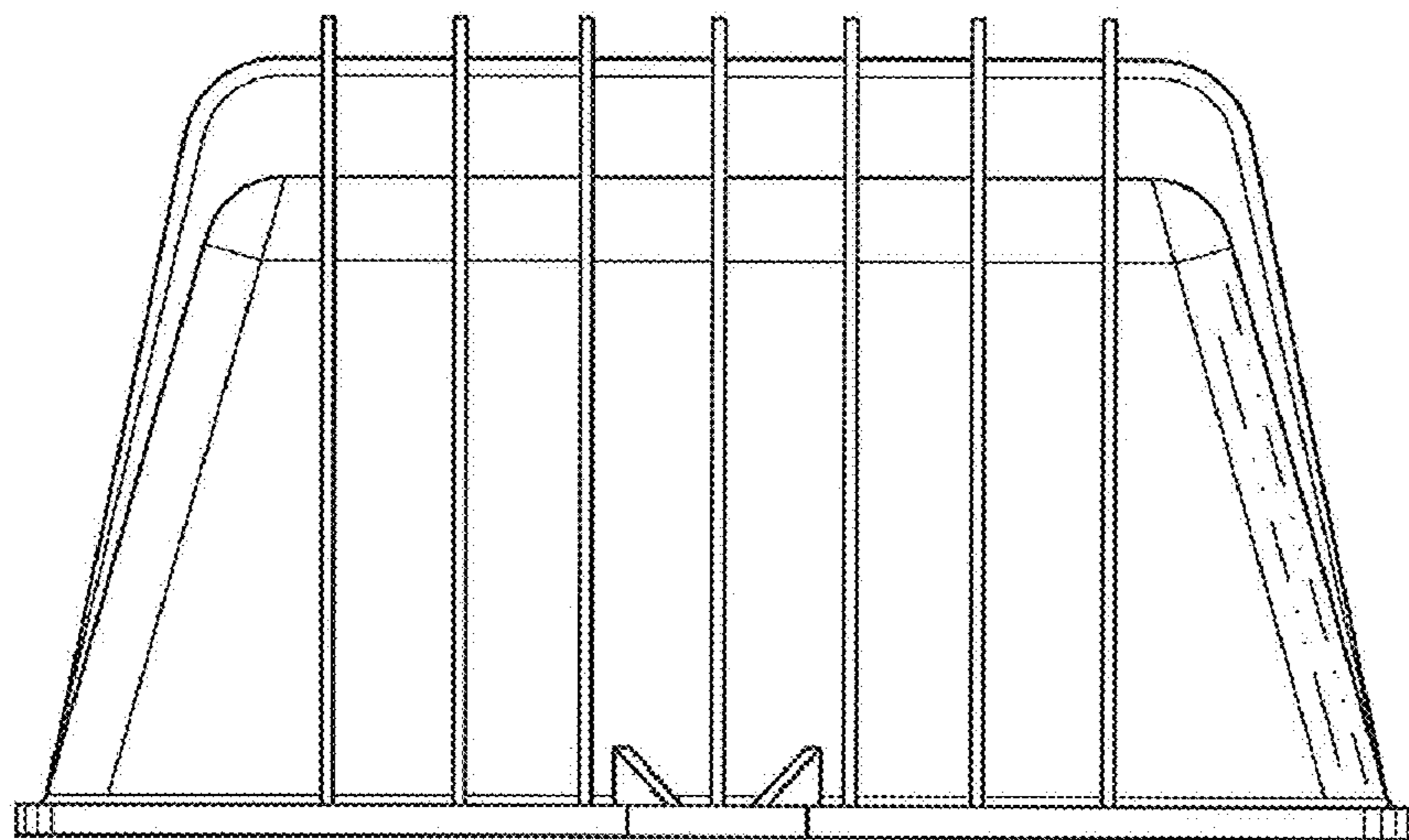
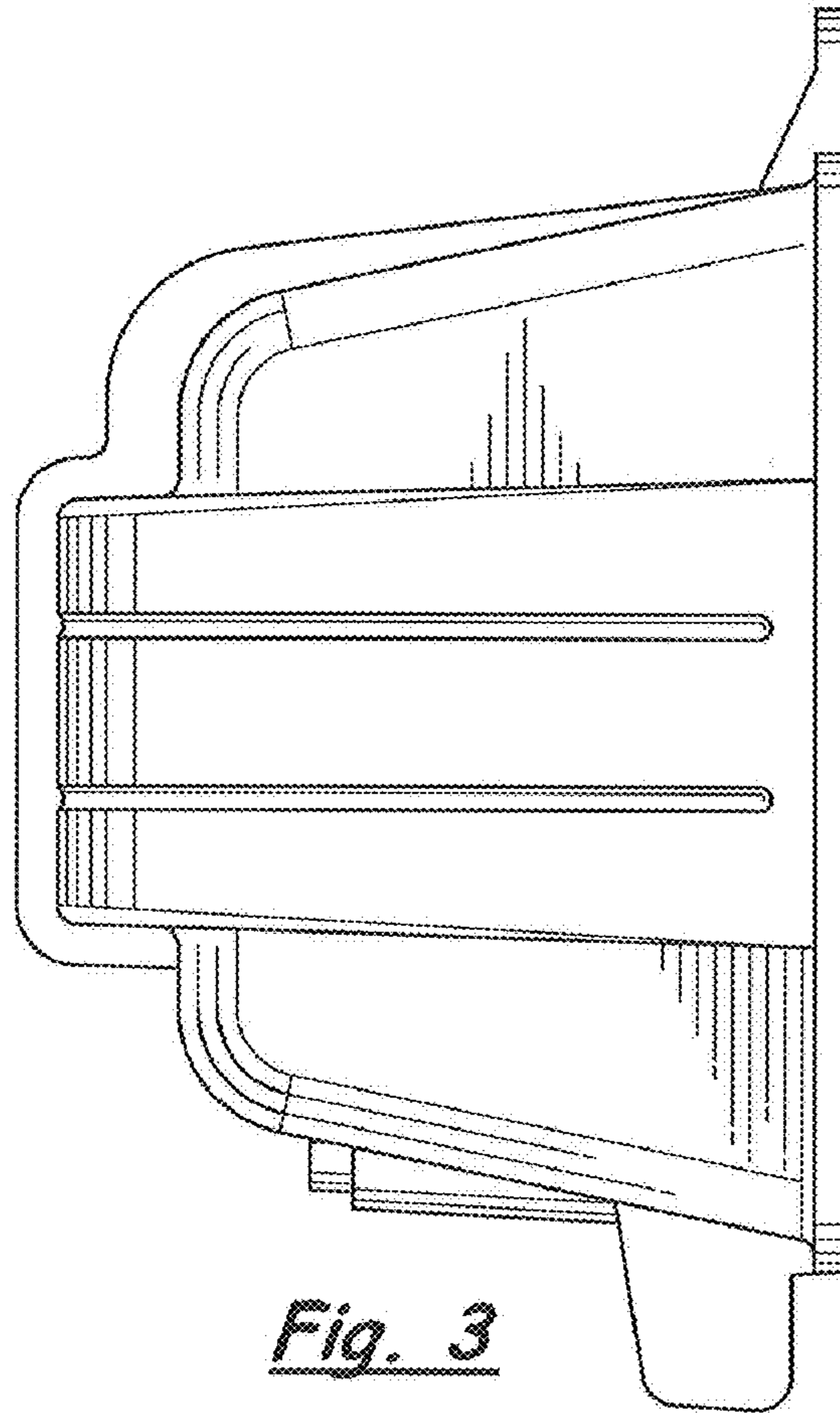


Fig. 2



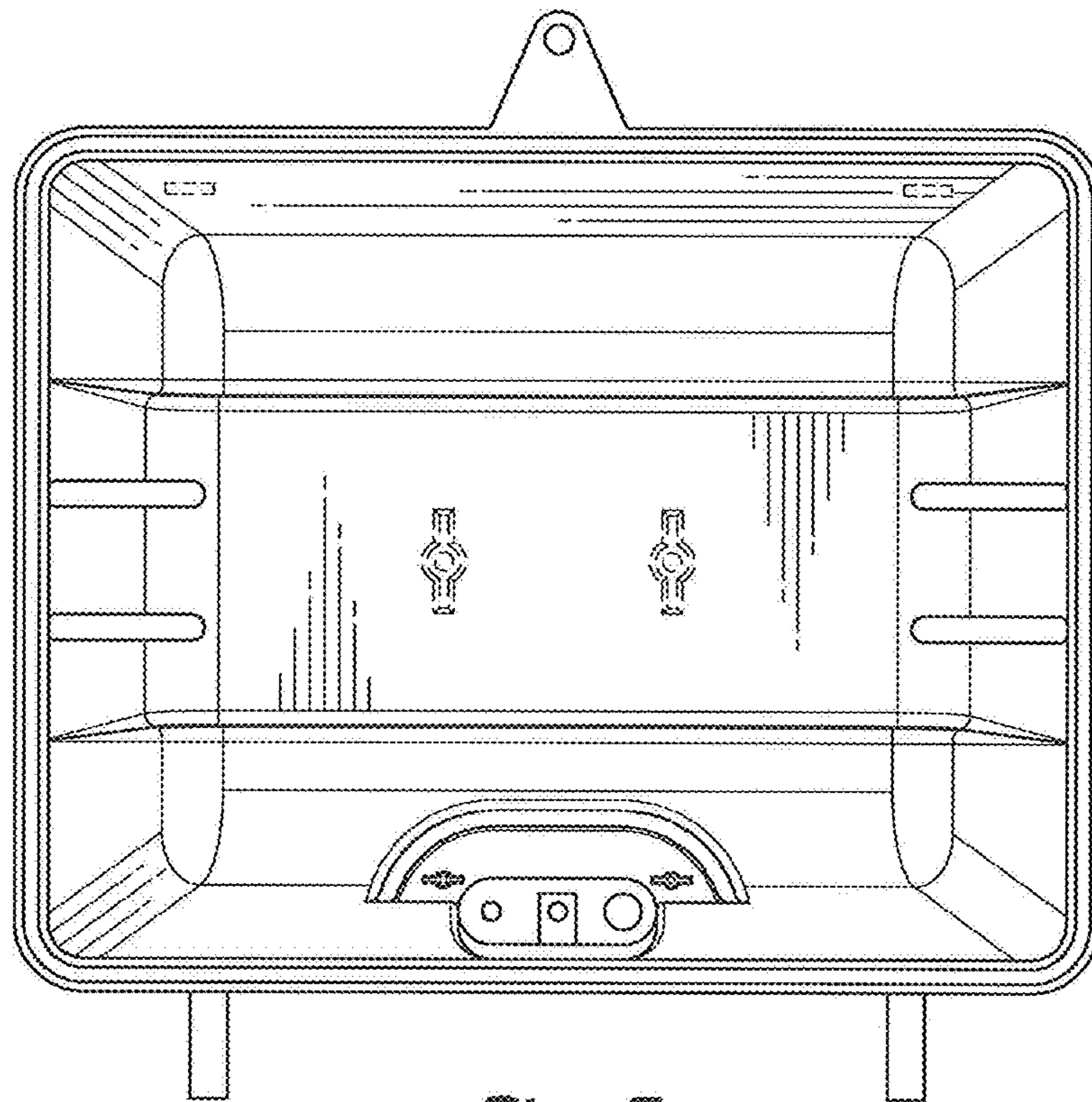


Fig. 5

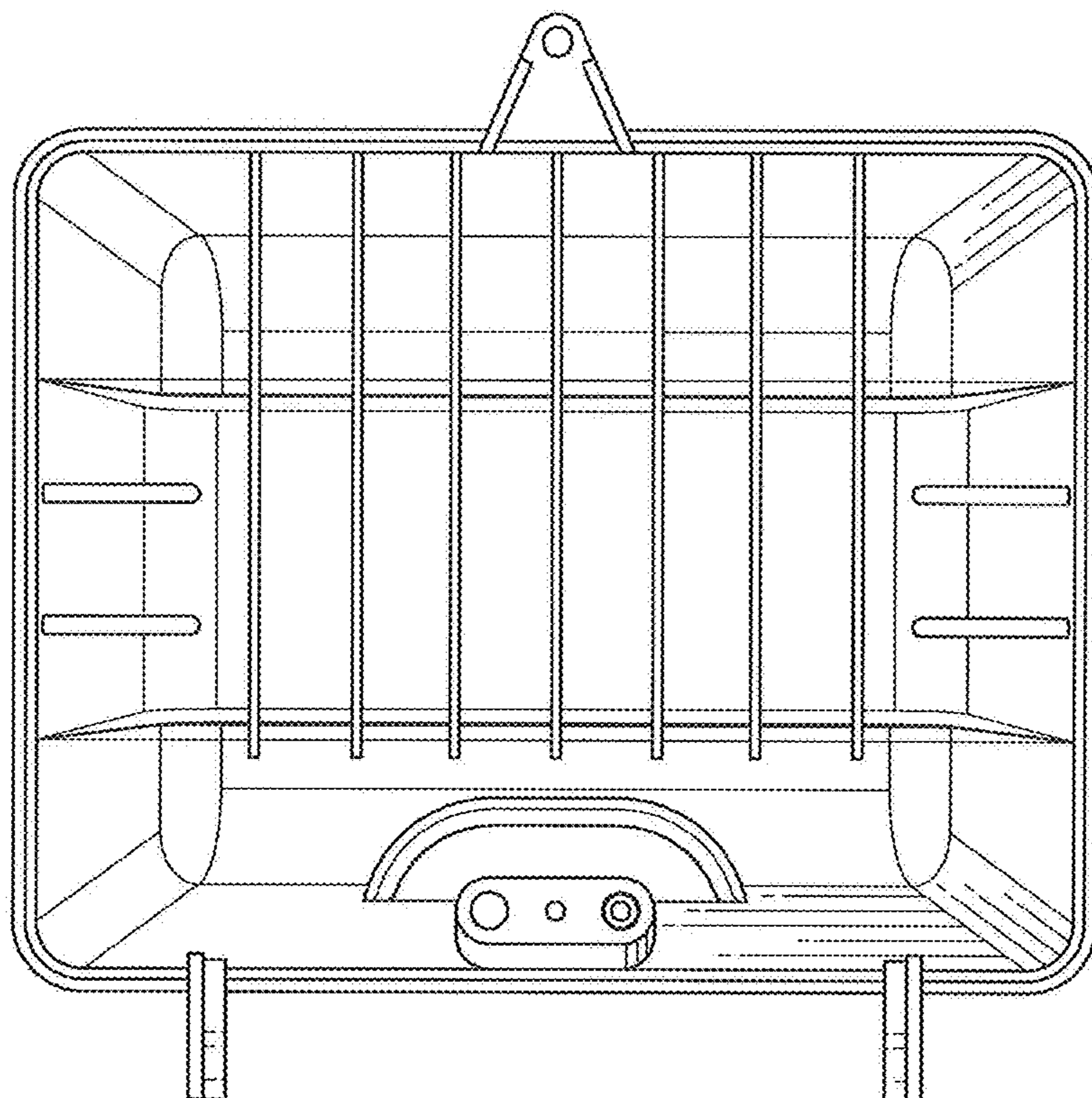


Fig. 6

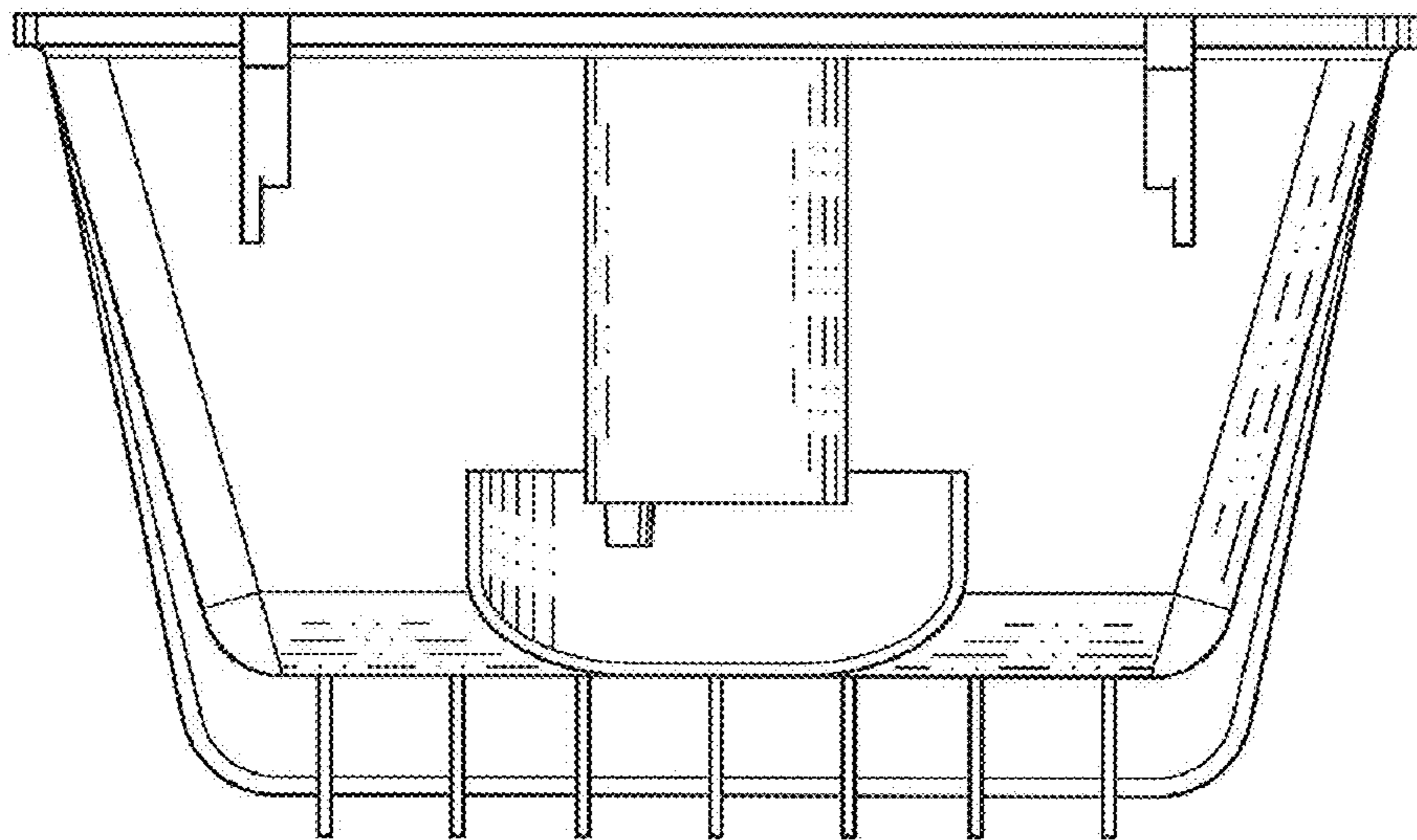


Fig. 7