



US00D635710S

(12) **United States Design Patent**
Jean

(10) **Patent No.:** **US D635,710 S**

(45) **Date of Patent:** **** Apr. 5, 2011**

(54) **LIGHT FIXTURE**

(75) Inventor: **Paul Jean**, Brossard (CA)

(73) Assignee: **Northern International, Inc.**, Ontario (CA)

(**) Term: **14 Years**

(21) Appl. No.: **29/362,431**

(22) Filed: **May 25, 2010**

Related U.S. Application Data

(63) Continuation of application No. 29/333,482, filed on Mar. 10, 2009, now Pat. No. Des. 616,593.

(51) **LOC (9) Cl.** **26-05**

(52) **U.S. Cl.** **D26/85; D26/120**

(58) **Field of Classification Search** D26/72-92, D26/104, 118-124; 362/148, 150, 153, 153.1, 362/158, 368, 806, 147, 157, 362-364, 375
See application file for complete search history.

(56) **References Cited**

U.S. PATENT DOCUMENTS

D190,385 S	5/1961	Schreckengost
D216,151 S	11/1969	Cox
D265,765 S	8/1982	Hawkins
D352,797 S	11/1994	Mehaffey
D357,997 S	5/1995	Wegrzyn et al.
D377,536 S	1/1997	Yuen
D379,539 S	5/1997	Yuen
D380,564 S	7/1997	Yuen
D452,578 S	12/2001	Yuen
D558,910 S	1/2008	Martineau

D569,029 S 5/2008 Guercio
D583,977 S 12/2008 Guercio
D584,445 S 1/2009 Guercio

Primary Examiner — Susan M Lee

Assistant Examiner — Linda G. Brooks

(74) *Attorney, Agent, or Firm* — McAndrews, Held & Malloy, Ltd.

(57) **CLAIM**

The ornamental design for a light fixture, as shown and described.

DESCRIPTION

FIG. 1 is a front perspective view of a first embodiment of a light fixture showing my new design;

FIG. 2 is a right side elevation view thereof; the left side being a mirror image;

FIG. 3 is a back elevation view thereof;

FIG. 4 is a front elevation view thereof;

FIG. 5 is a top plan view thereof;

FIG. 6 is a front perspective view of second embodiment of a light fixture showing my new design;

FIG. 7 is a right side elevation view thereof; the left side being a mirror image;

FIG. 8 is a back elevation view thereof;

FIG. 9 is a front elevation view thereof;

FIG. 10 is a top plan view thereof;

FIG. 11 is a front perspective view of third embodiment of a light fixture showing my new design;

FIG. 12 is a right side elevation view thereof; the left side being a mirror image;

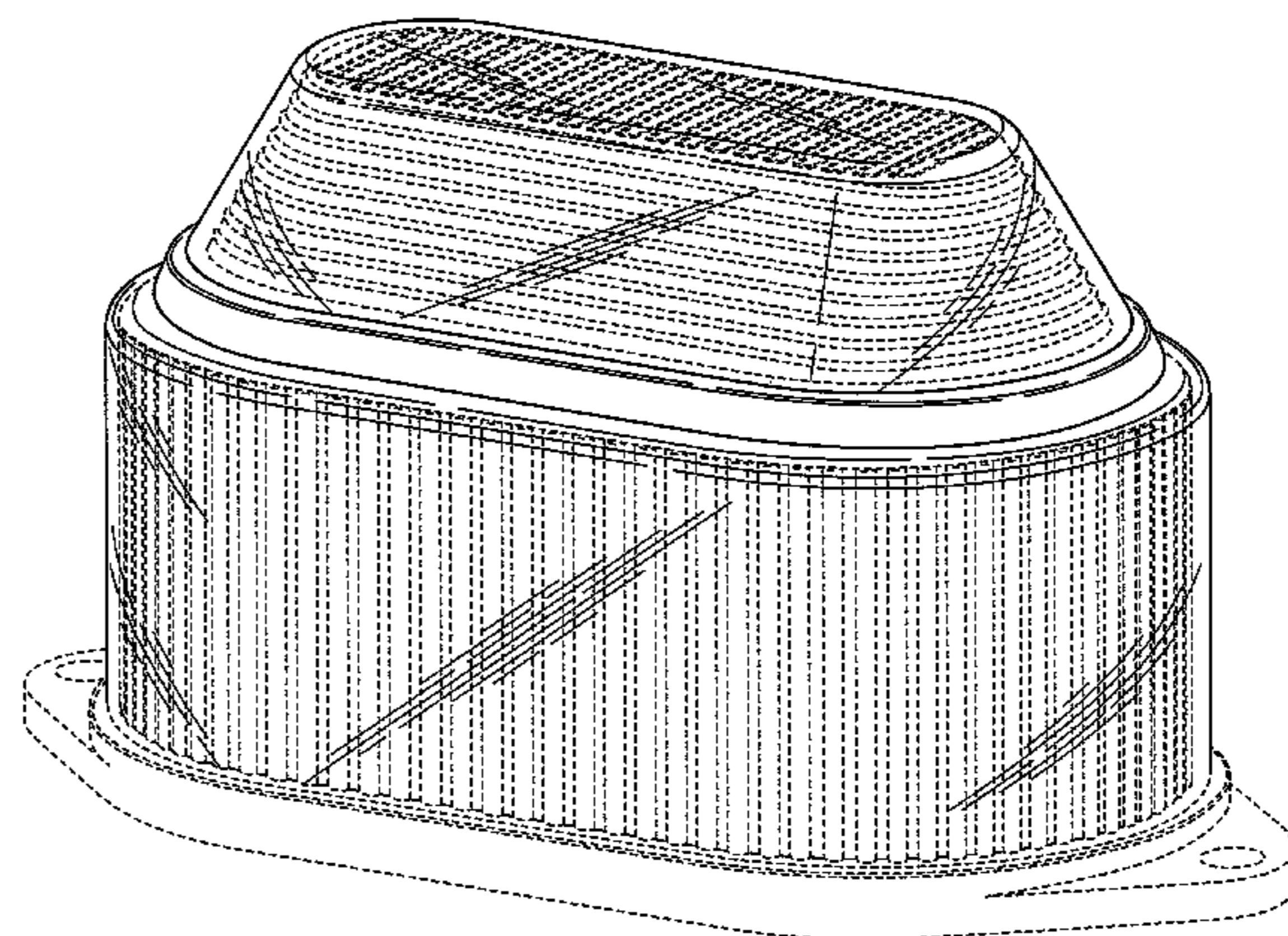
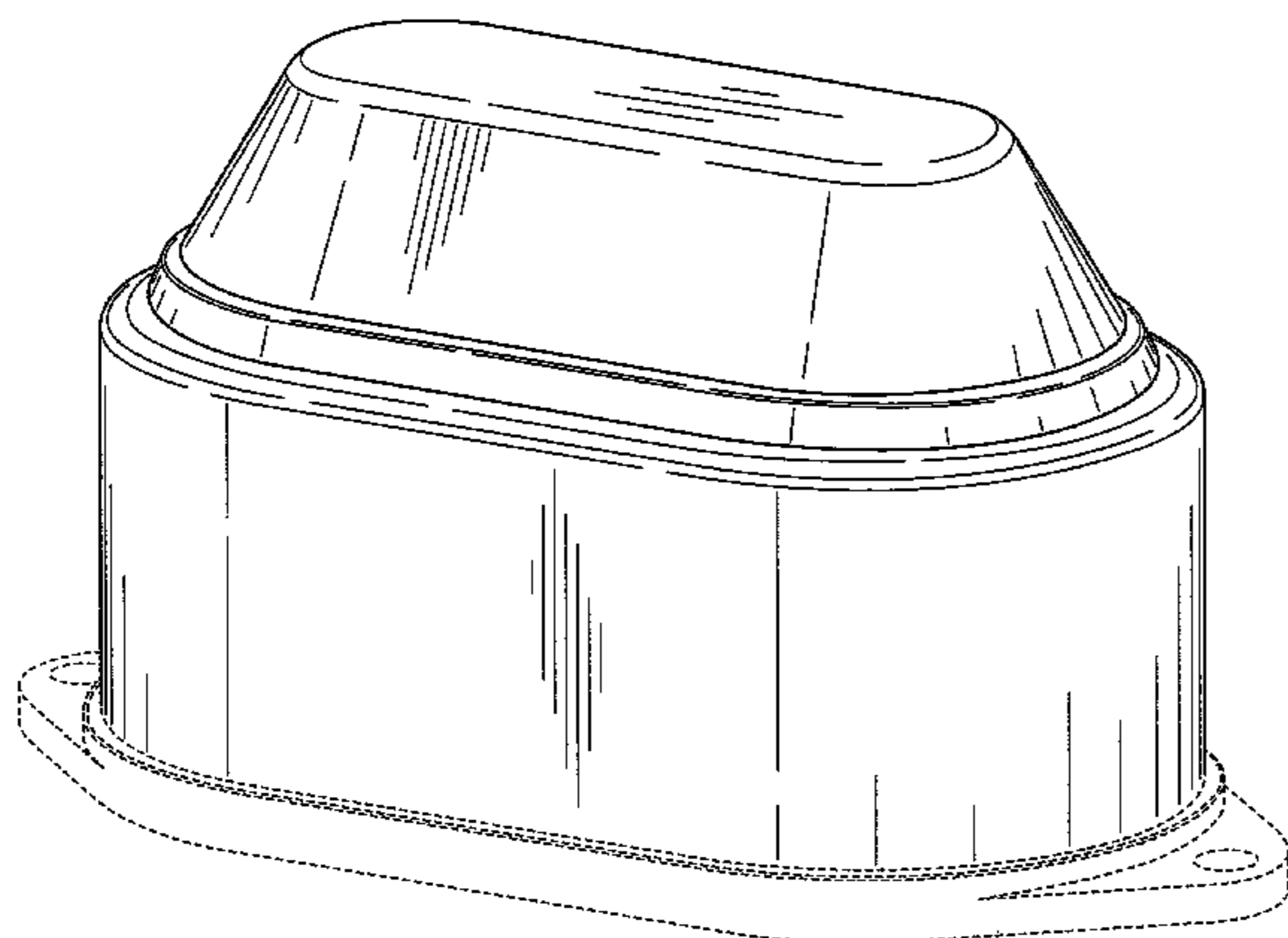
FIG. 13 is a back elevation view thereof;

FIG. 14 is a front elevation view thereof; and,

FIG. 15 is a top plan view thereof.

The broken lines in the drawings represent environmental subject matter and form no part of the claimed design. The bottom surface is unclaimed.

1 Claim, 15 Drawing Sheets



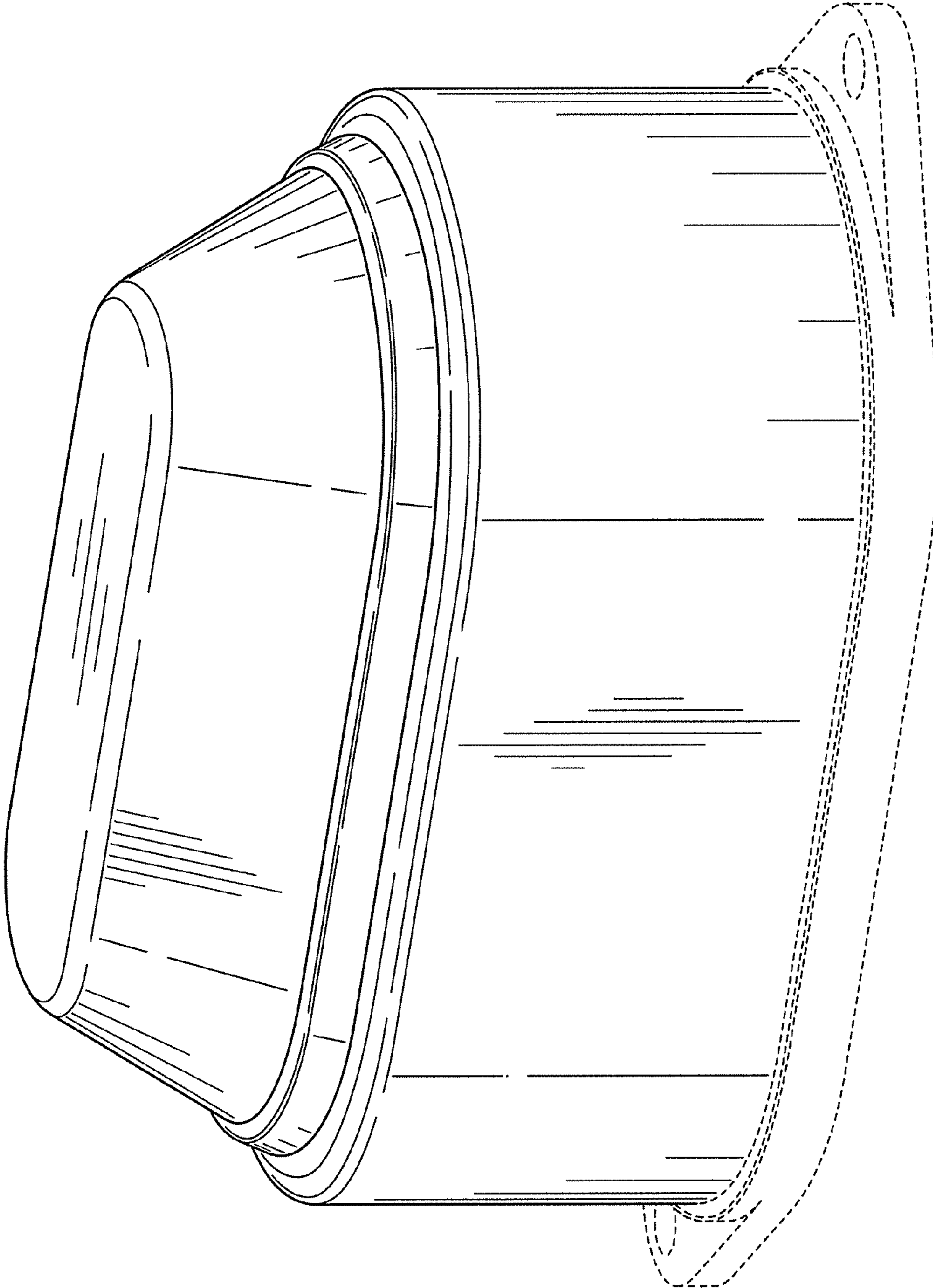


FIG. 1

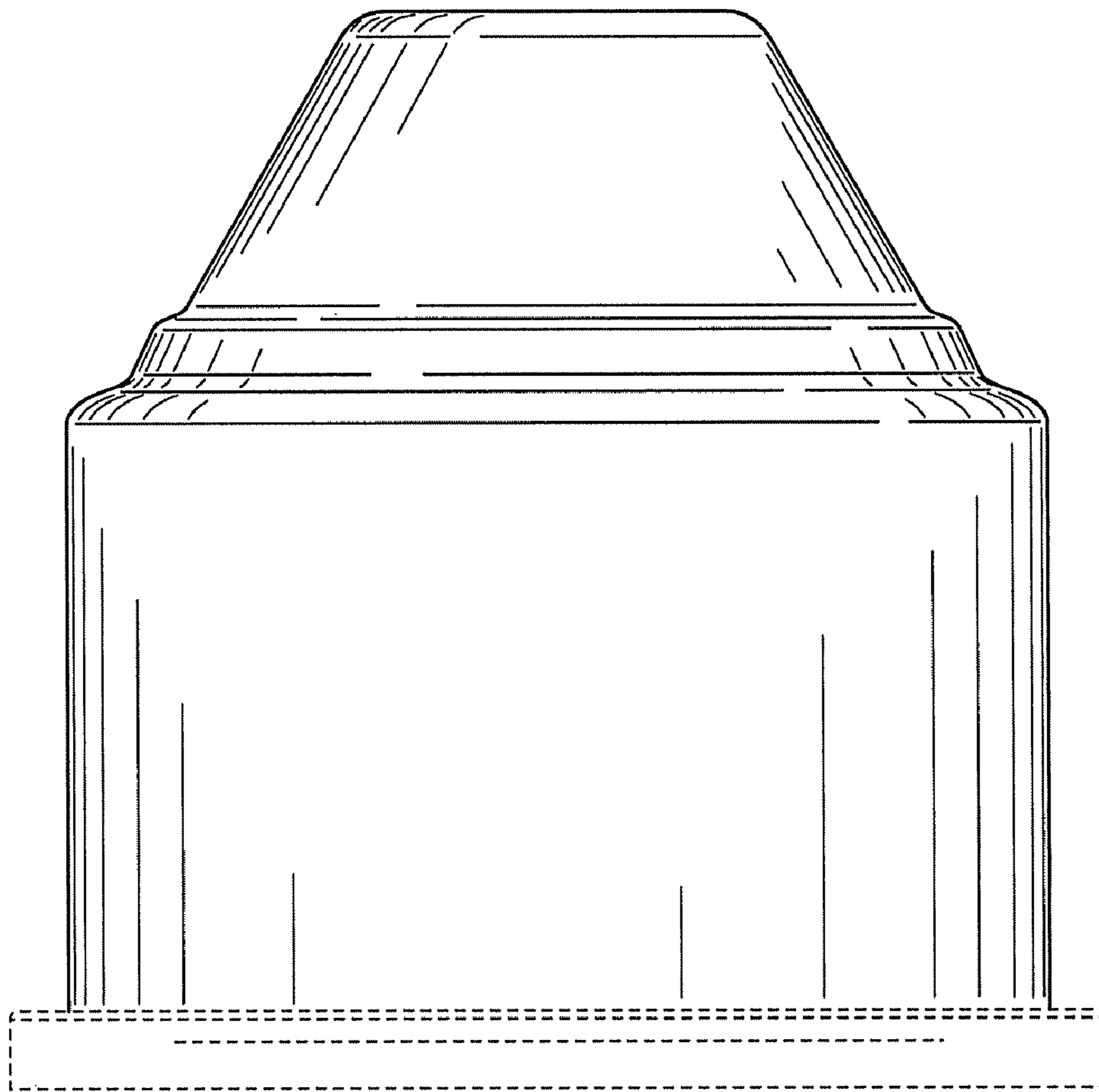


FIG. 2

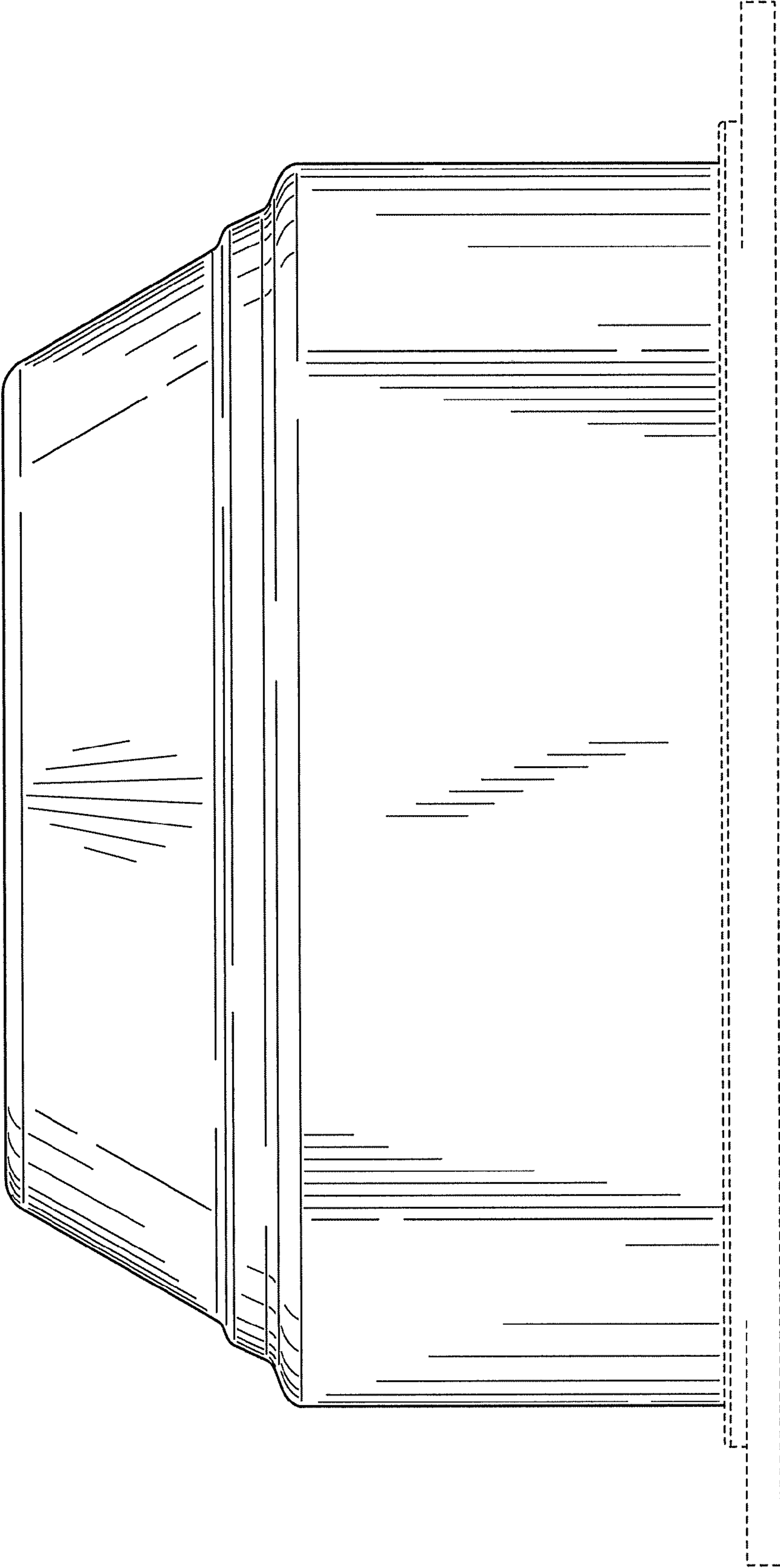


FIG. 3

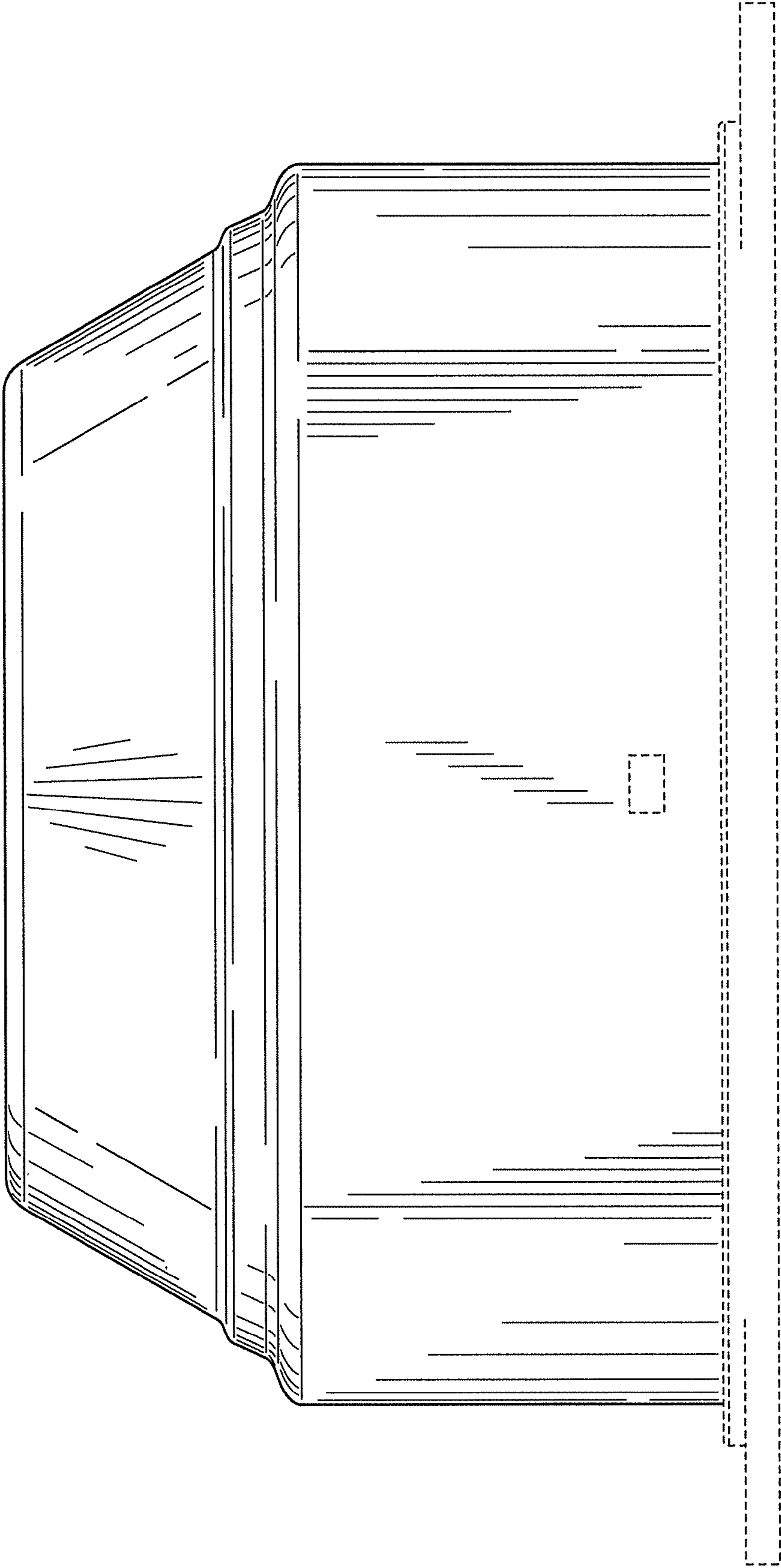


FIG. 4

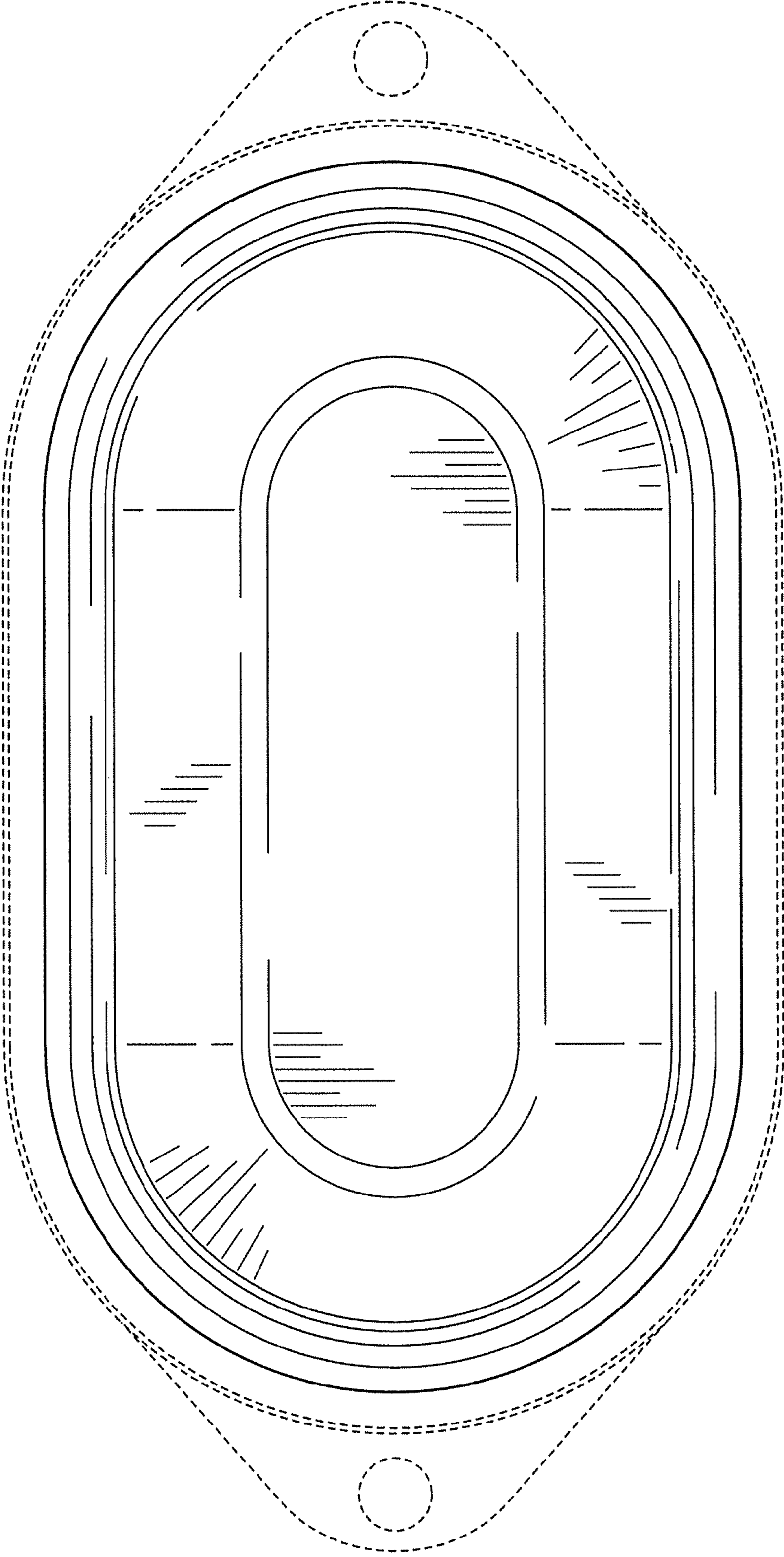


FIG. 5

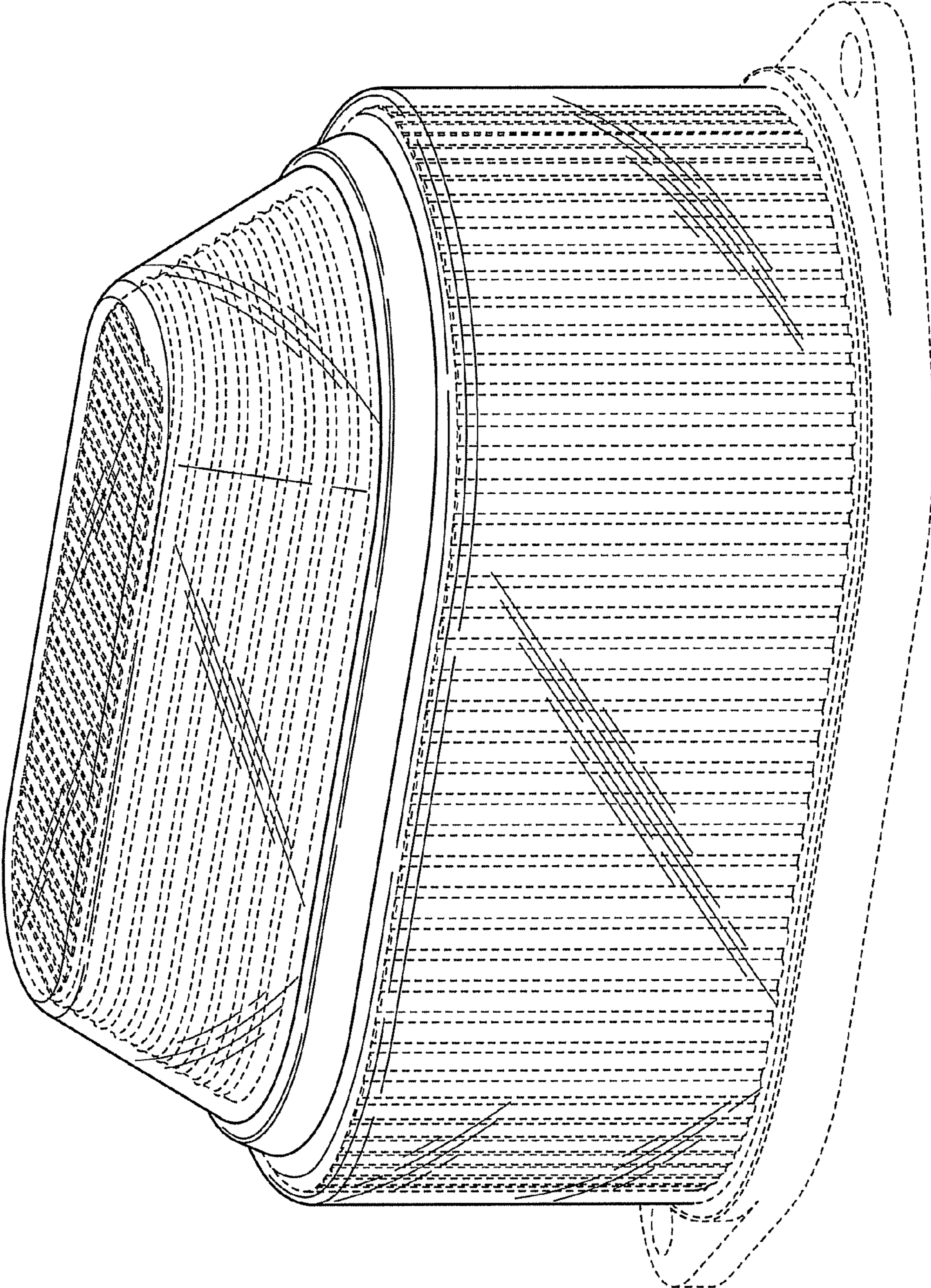


FIG. 6

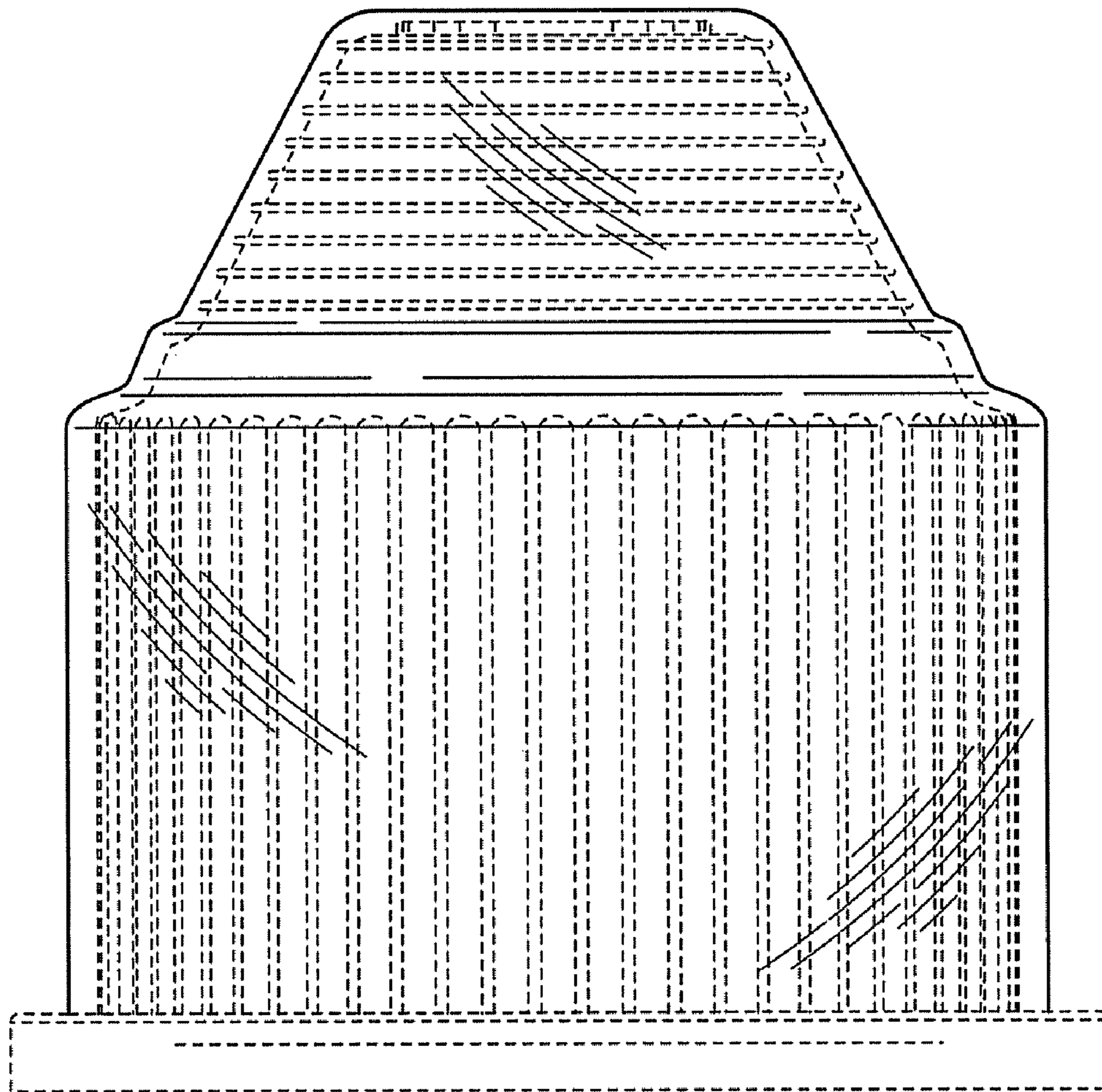


FIG. 7

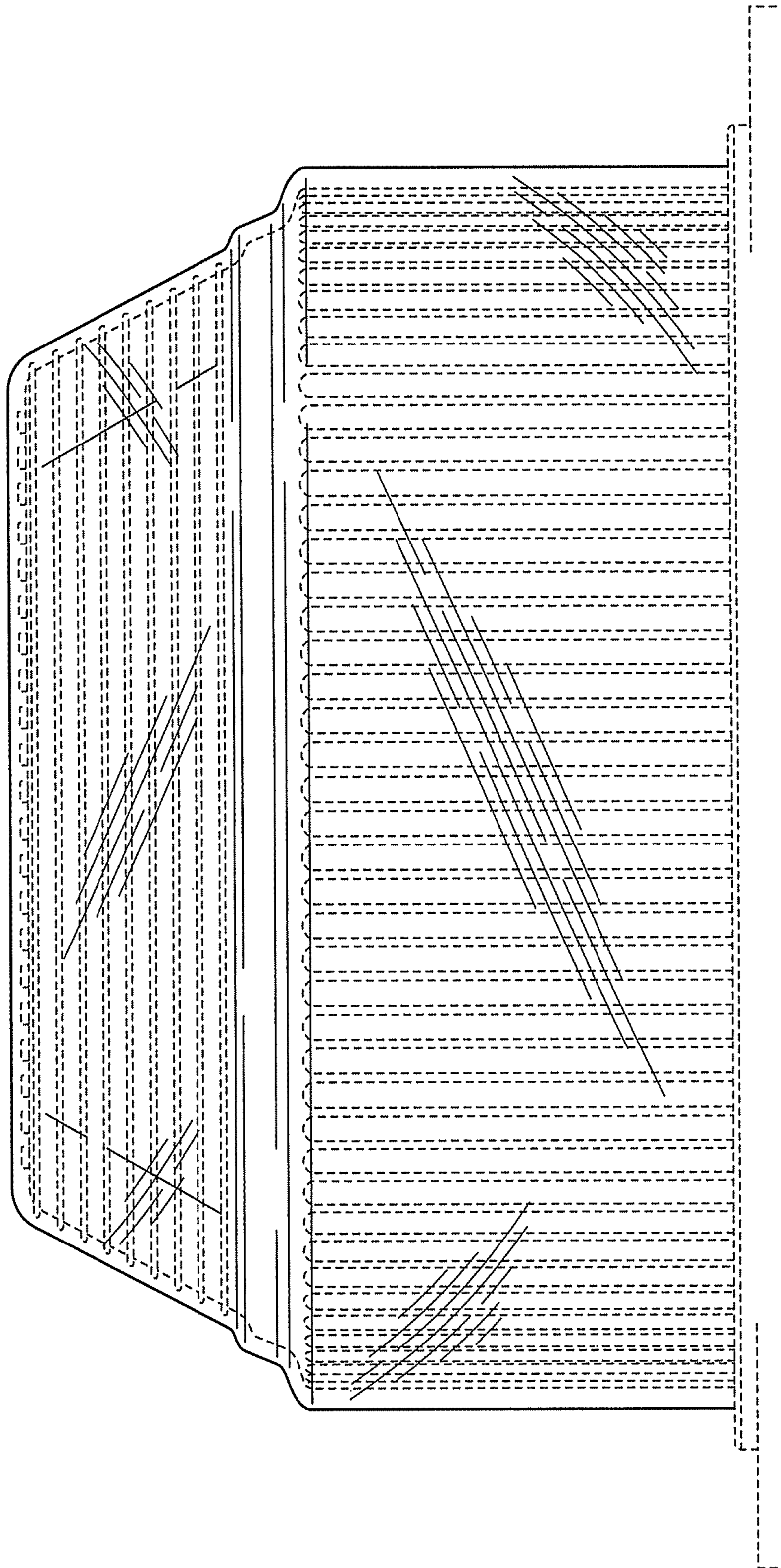


FIG. 8

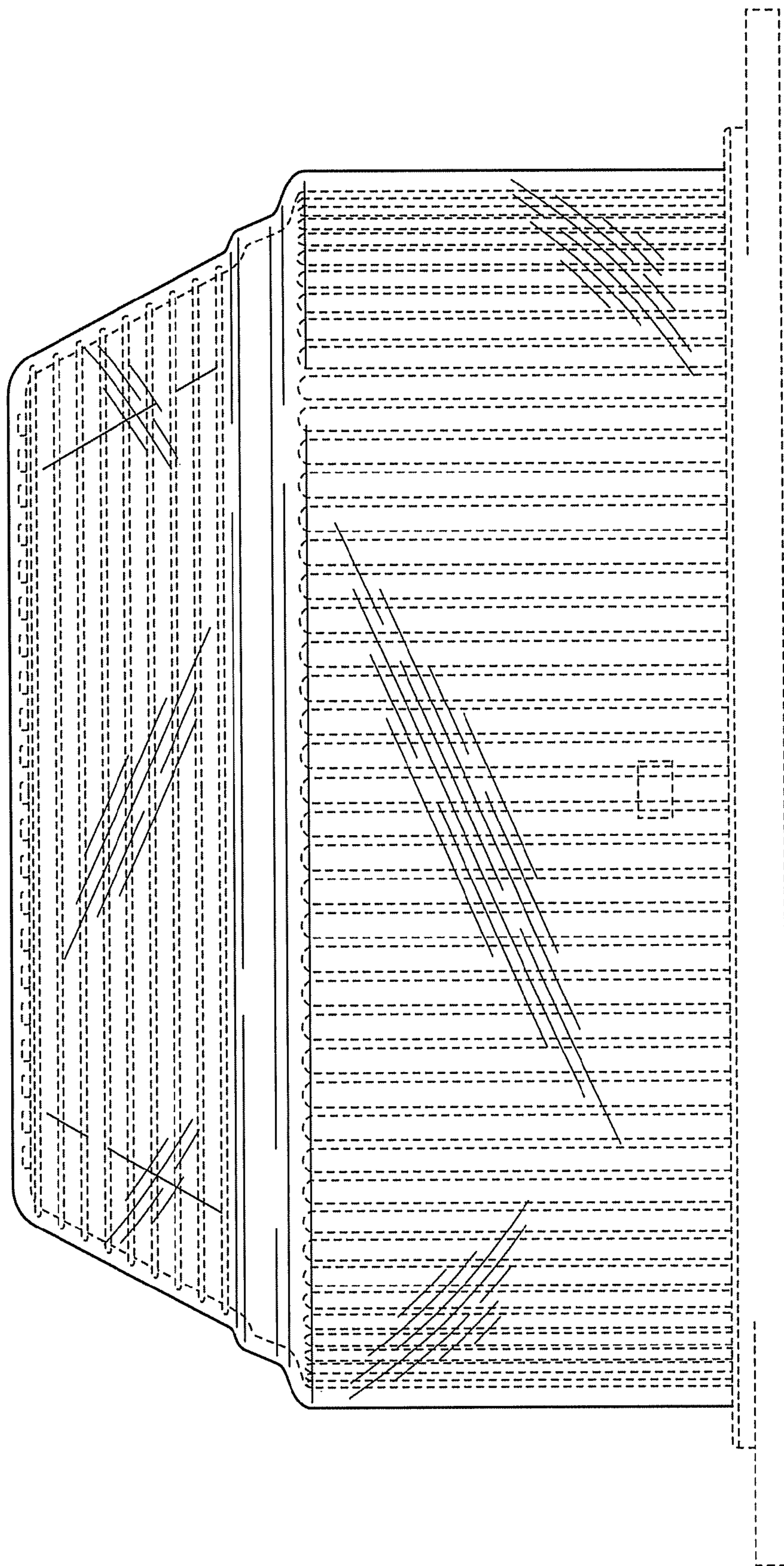


FIG. 9

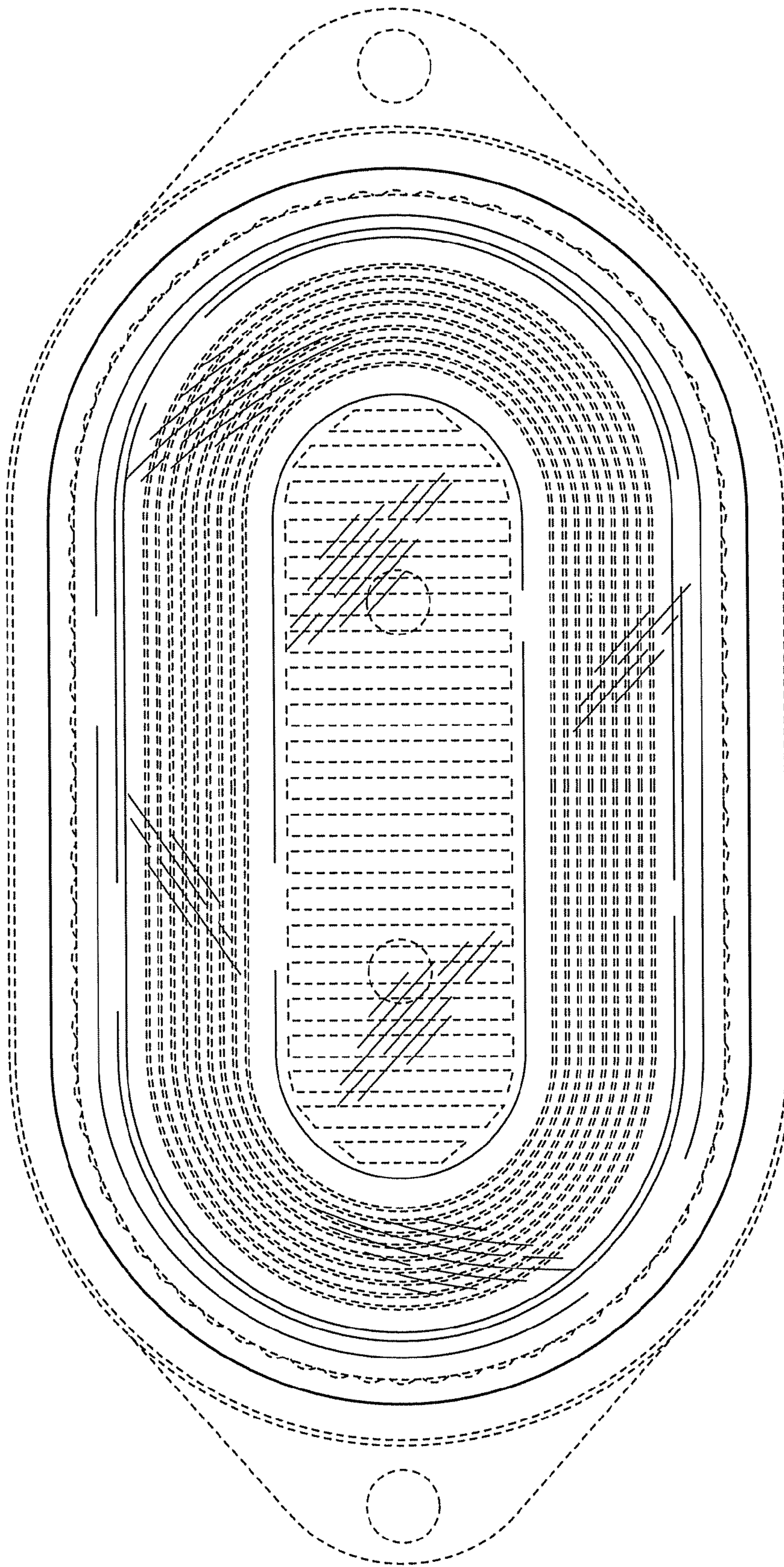


FIG. 10

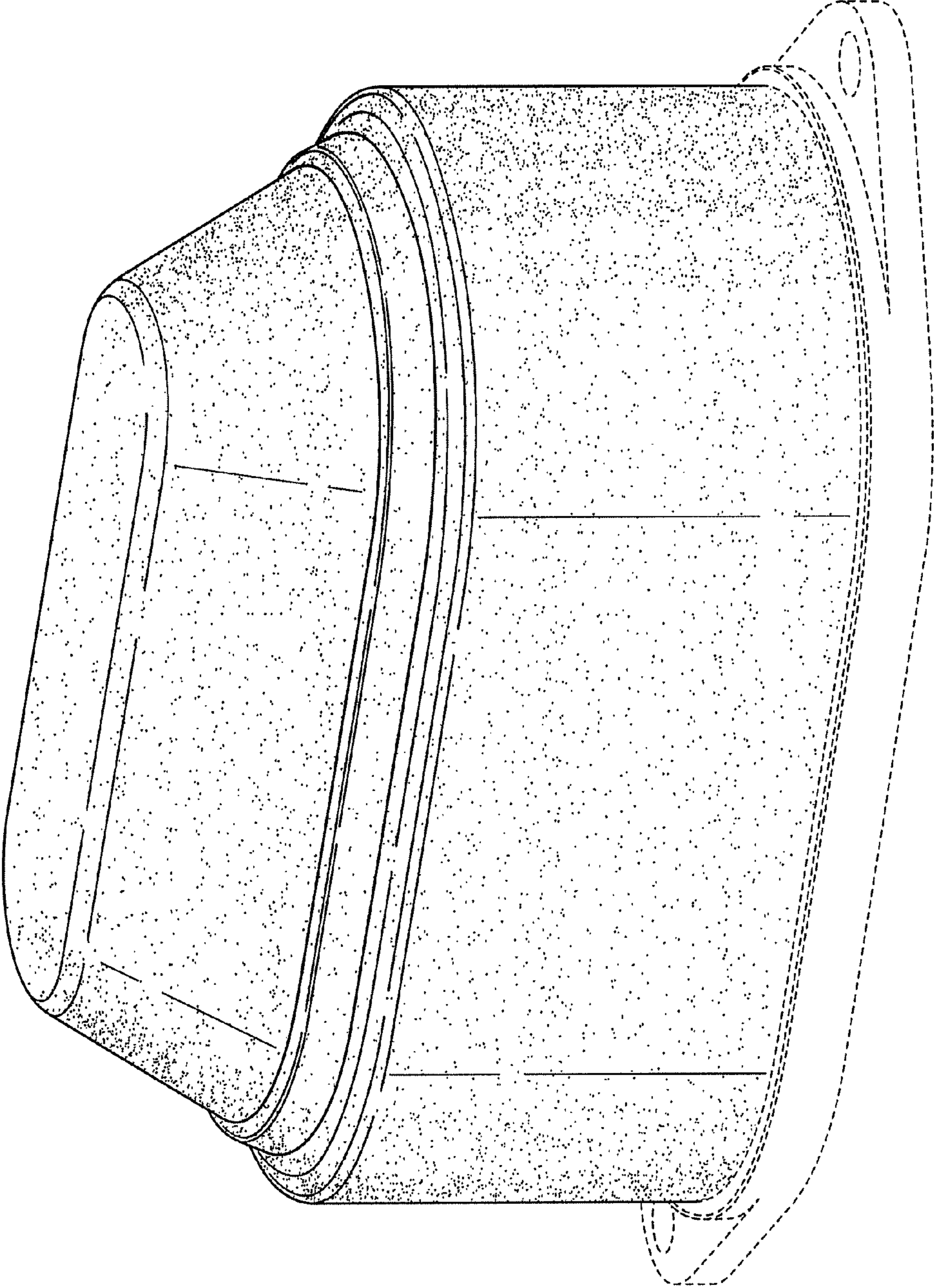


FIG. 11

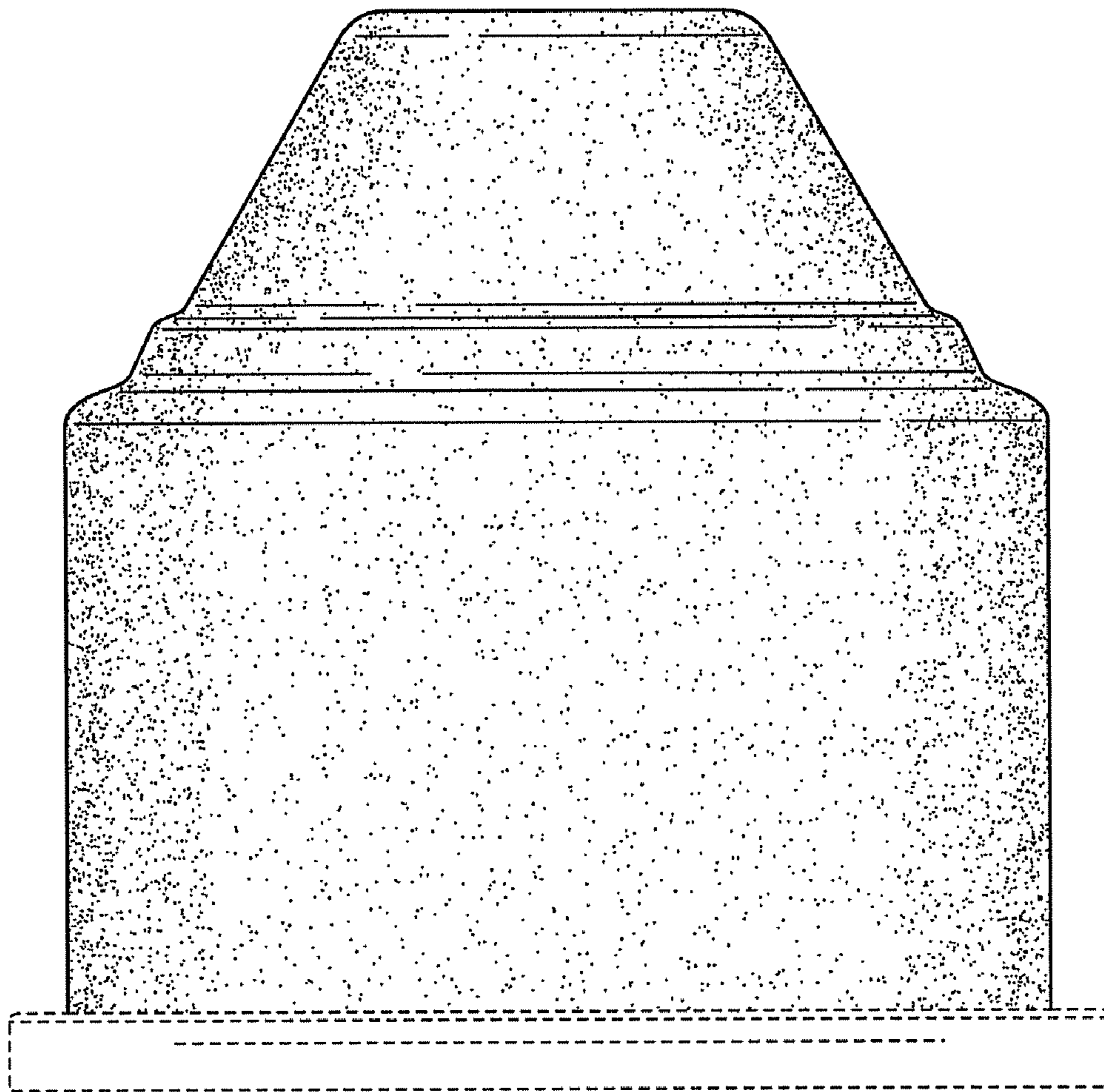


FIG. 12

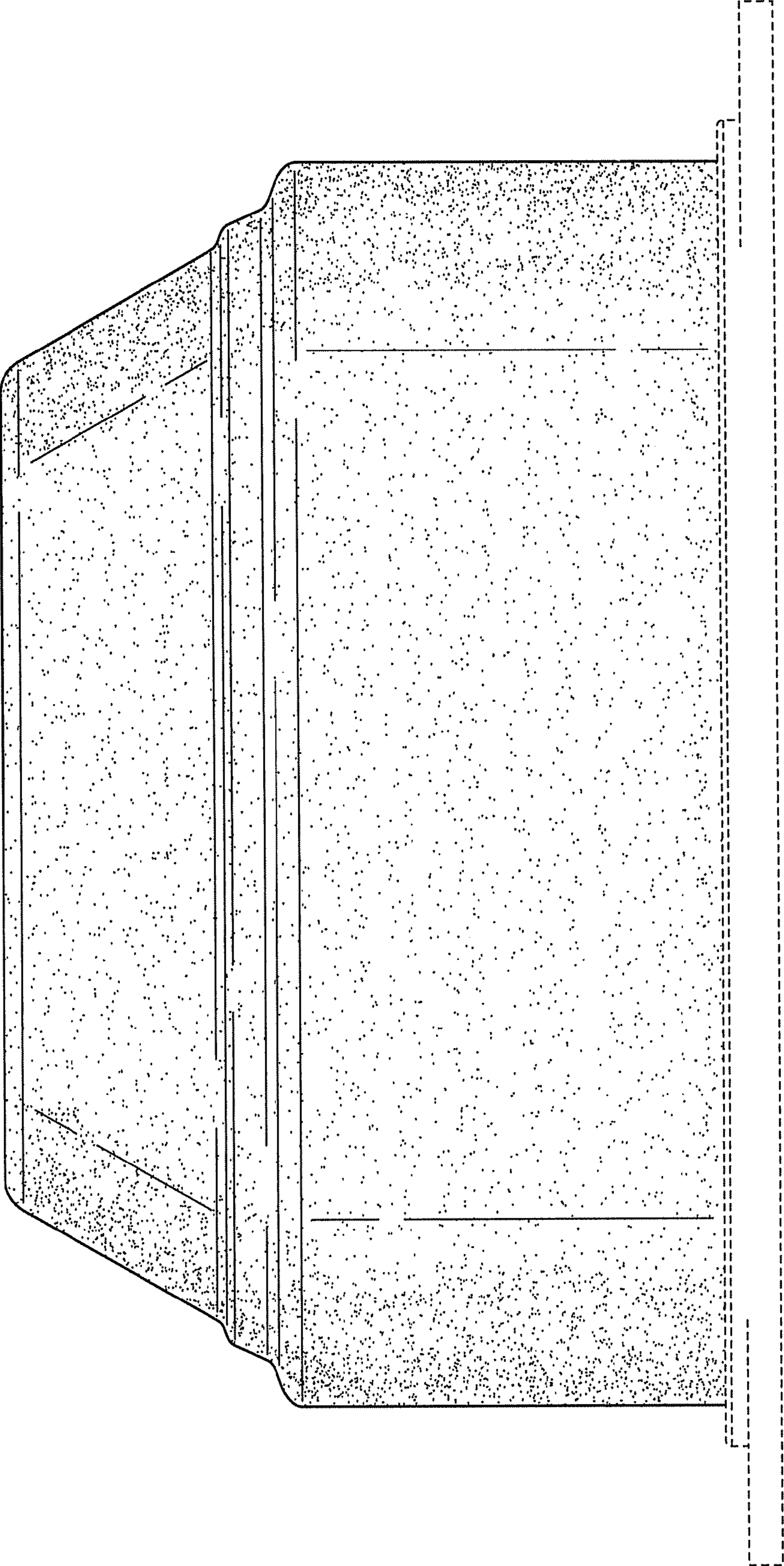


FIG. 13

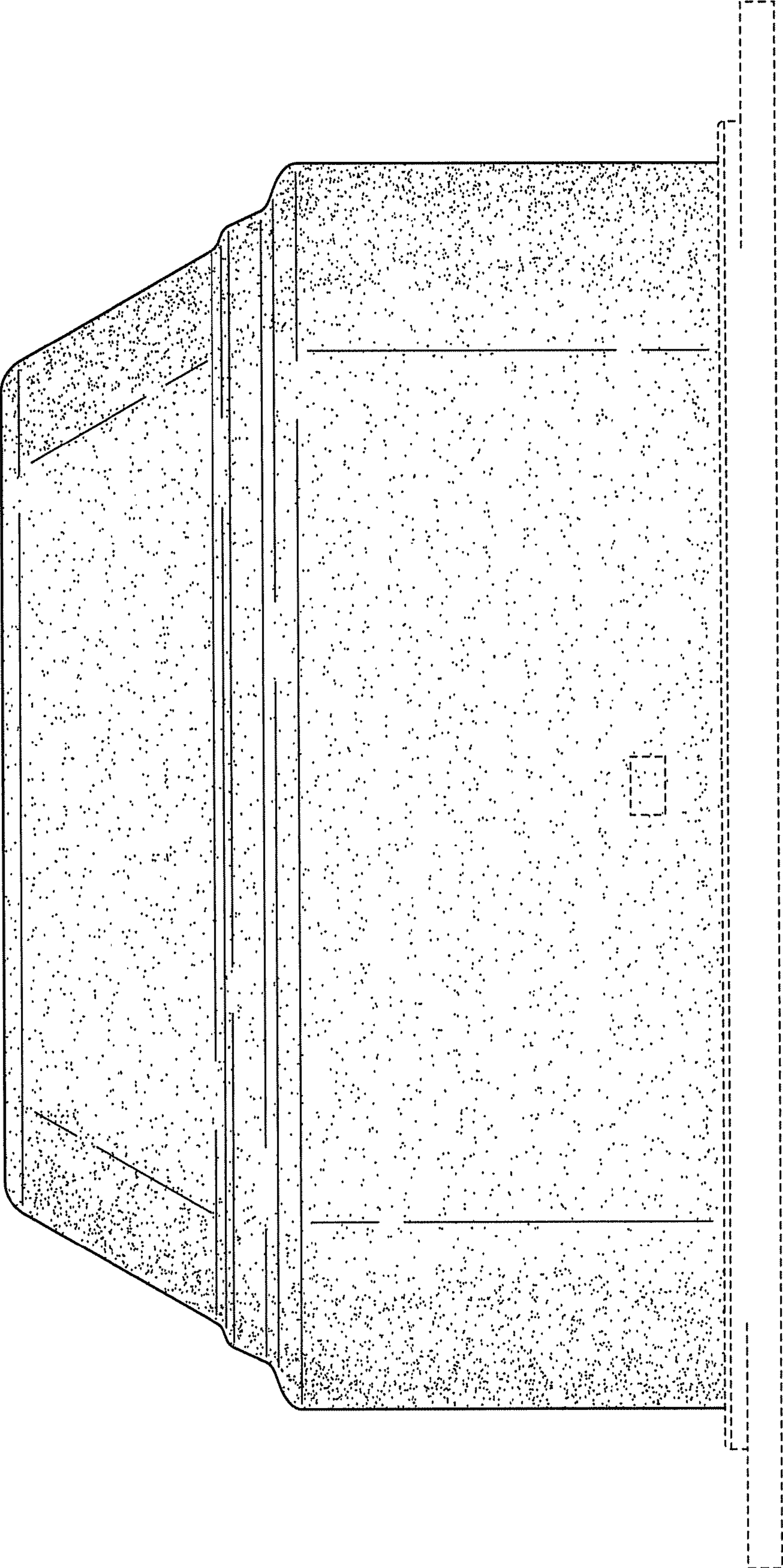


FIG. 14

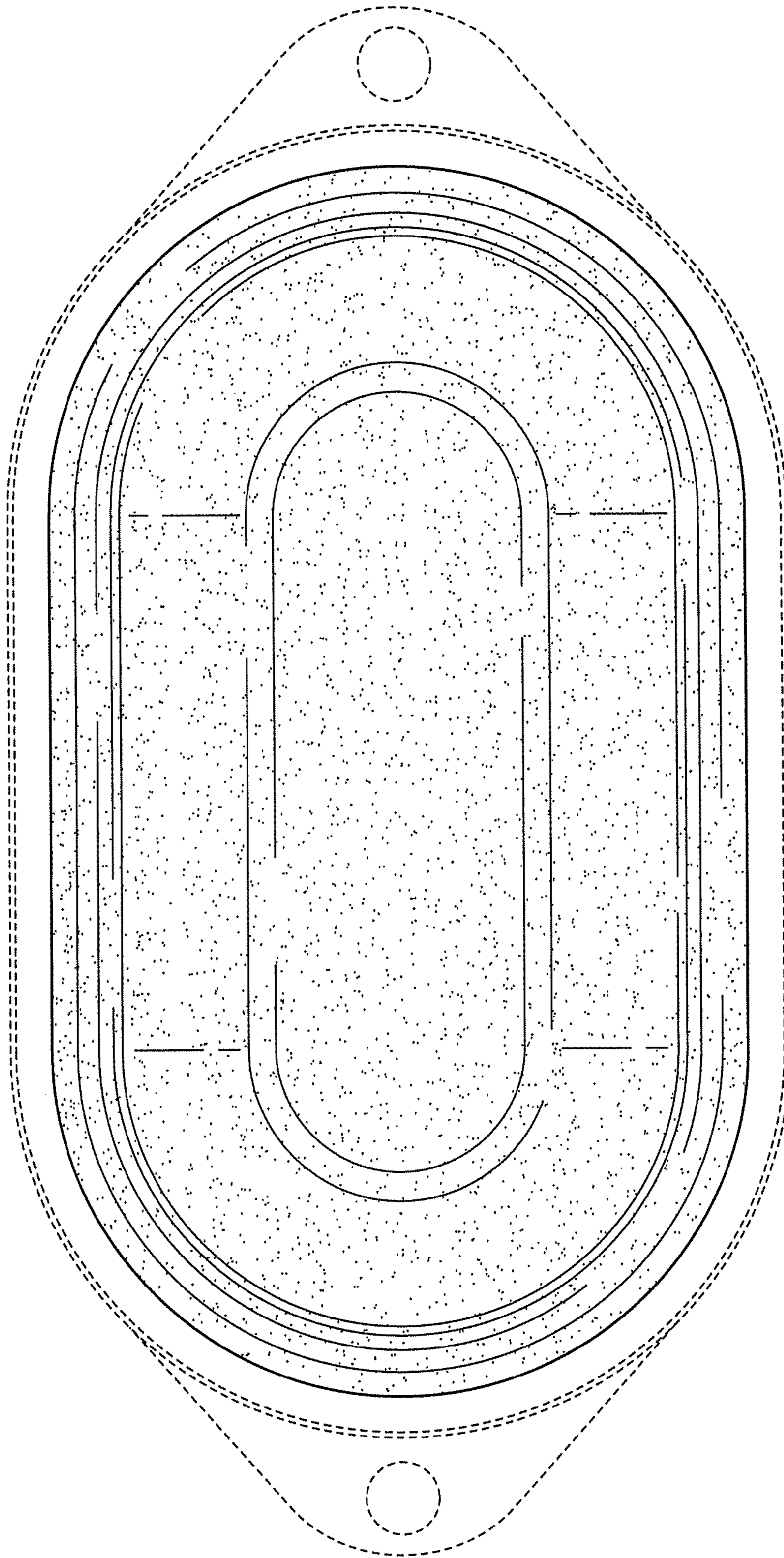


FIG. 15