



US00D635708S

(12) **United States Design Patent**
Zheng

(10) **Patent No.:** **US D635,708 S**

(45) **Date of Patent:** **** Apr. 5, 2011**

(54) **LED LAMP**

(75) **Inventor:** **Shi-Song Zheng**, Shenzhen (CN)

(73) **Assignee:** **Foxconn Technology Co., Ltd.**,
Tucheng, Taipei County (TW)

(**) **Term:** **14 Years**

(21) **Appl. No.:** **29/353,500**

(22) **Filed:** **Jan. 9, 2010**

(51) **LOC (9) Cl.** **26-03**

(52) **U.S. Cl.** **D26/78**

(58) **Field of Classification Search** D26/24,
D26/26, 37, 46, 72, 85, 87, 88, 89, 93, 104,
D26/113, 118, 1, 2, 3, 28, 38, 60, 74, 75,
D26/77, 78; D10/111, 114; D23/366, 367,
D23/368; D13/107, 108, 180, 182; 362/640,
362/641, 642, 643, 644, 652, 653, 655, 657,
362/249.02, 311.02, 800, 806, 555, 567,
362/116, 122, 123, 145, 147, 157, 183, 194,
362/195, 200, 565

See application file for complete search history.

(56) **References Cited**

U.S. PATENT DOCUMENTS

2,099,452 A * 11/1937 Schepmoes 362/480
D120,544 S * 5/1940 Carter, Jr. D26/77

D177,918 S * 6/1956 Meyer D26/77
D334,076 S * 3/1993 Dieperink et al. D26/77
D405,209 S * 2/1999 Walz D26/86
D455,516 S * 4/2002 Casciani et al. D26/76
D480,168 S * 9/2003 Herst et al. D26/77
D521,179 S * 5/2006 Herst et al. D26/121
D558,376 S * 12/2007 Posey et al. D26/72
D597,247 S * 7/2009 Meyer et al. D26/113
D607,598 S * 1/2010 Xiao et al. D26/80
2010/0238657 A1 * 9/2010 Zheng 362/235
2010/0271823 A1 * 10/2010 Huang et al. 362/249.02

* cited by examiner

Primary Examiner — Angela J Lee

(74) *Attorney, Agent, or Firm* — Frank R. Nirranjan

(57) **CLAIM**

The ornamental design for an LED Lamp, as shown and described.

DESCRIPTION

FIG. 1 is a perspective view of an LED lamp showing my new design.

FIG. 2 is a front elevational view thereof.

FIG. 3 is a rear elevational view thereof.

FIG. 4 is a left-side, elevational view thereof.

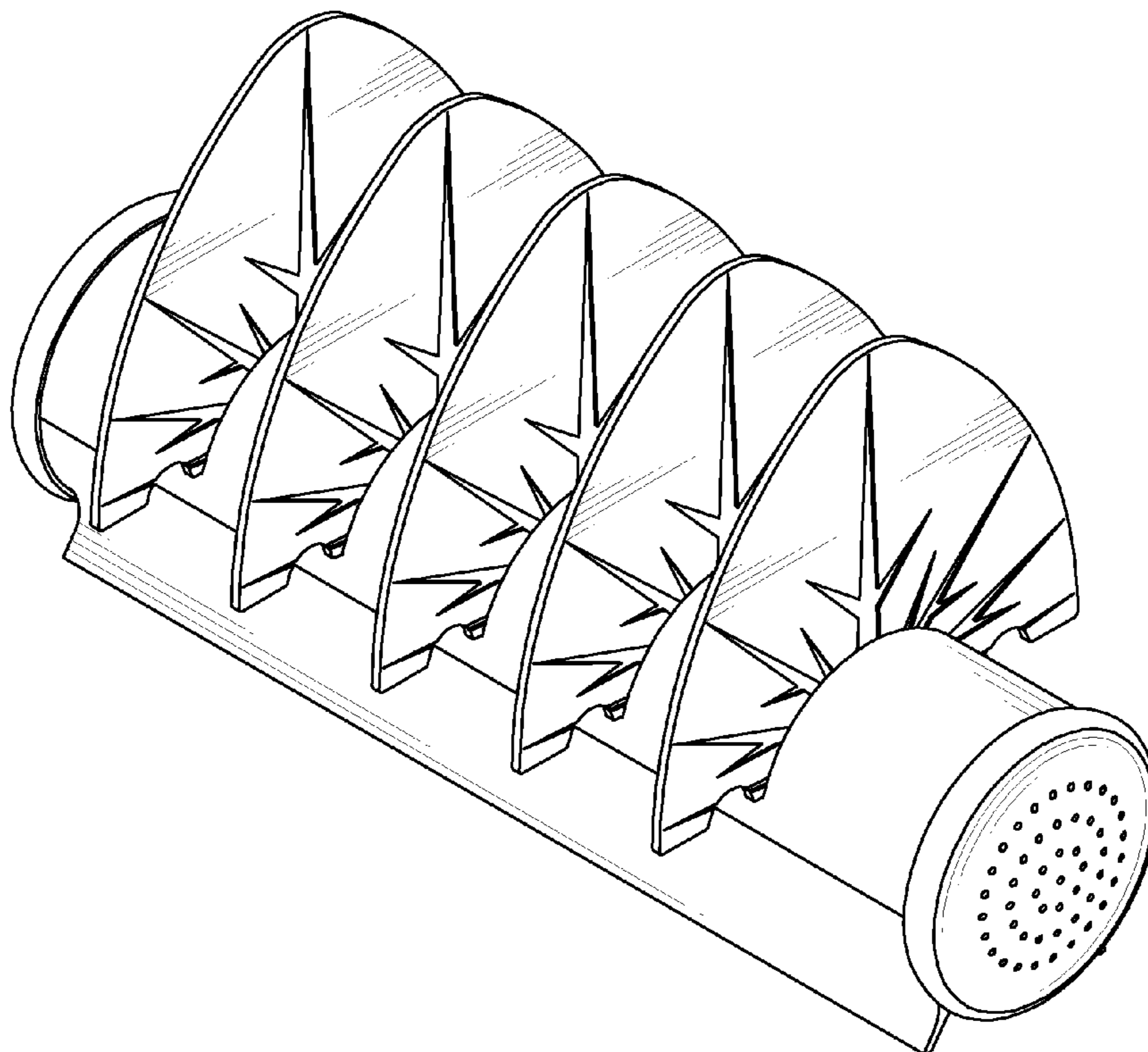
FIG. 5 is a right-side, elevational view thereof.

FIG. 6 is a top plan view thereof; and,

FIG. 7 is a bottom plan view thereof.

The portions of the LED lamp shown in broken lines are for illustrative purposes only and form no part of the claimed design.

1 Claim, 7 Drawing Sheets



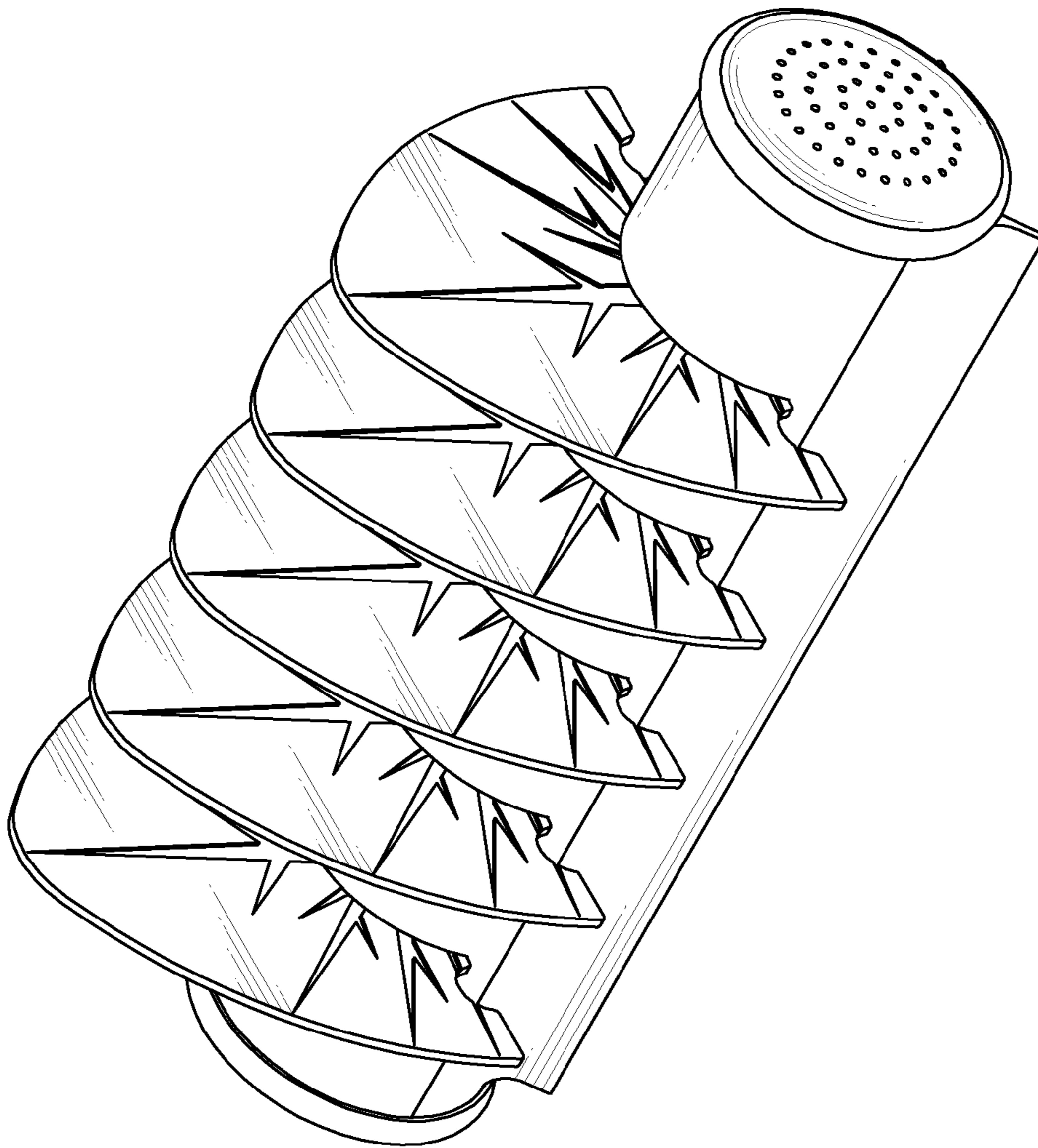


FIG. 1

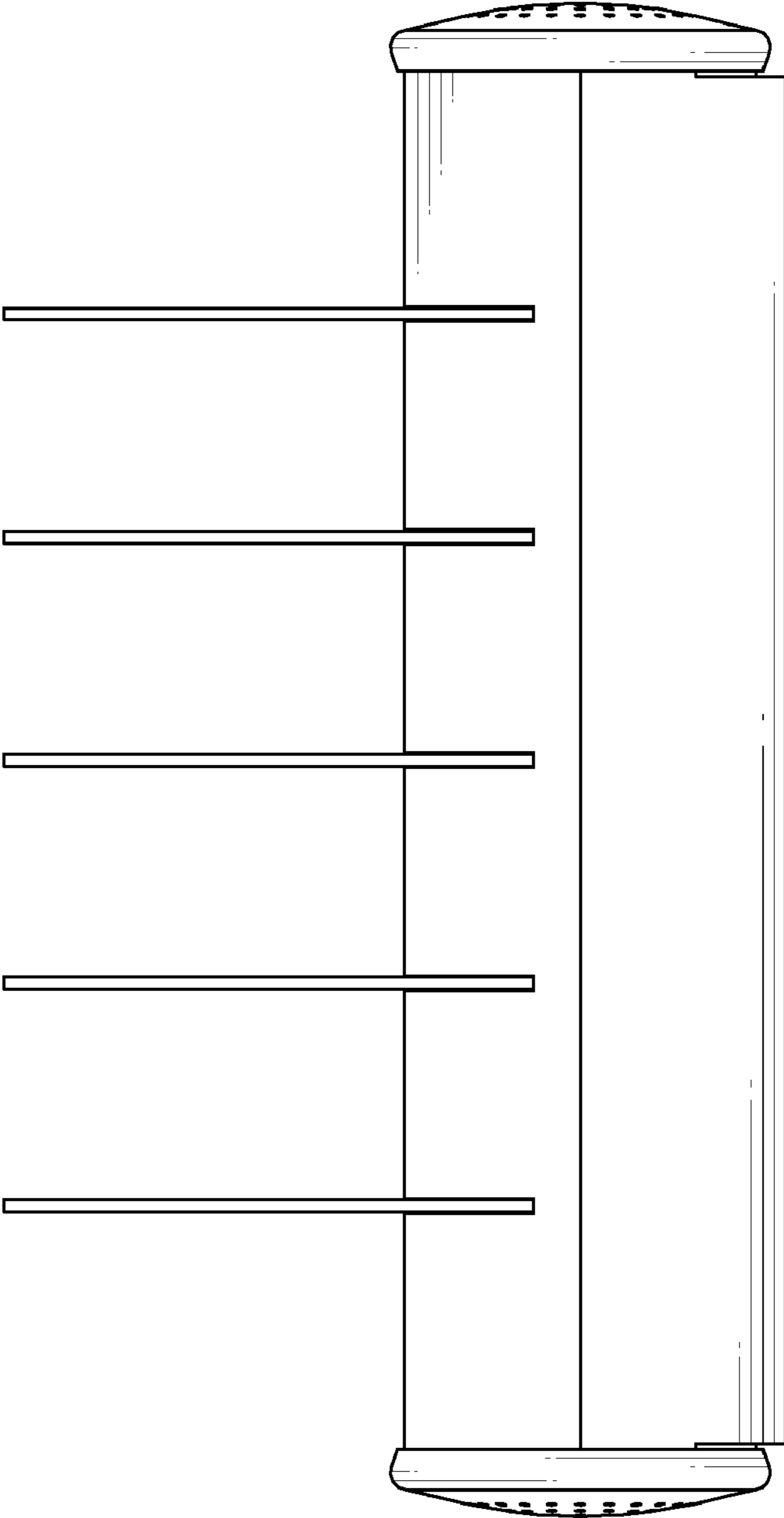


FIG. 2

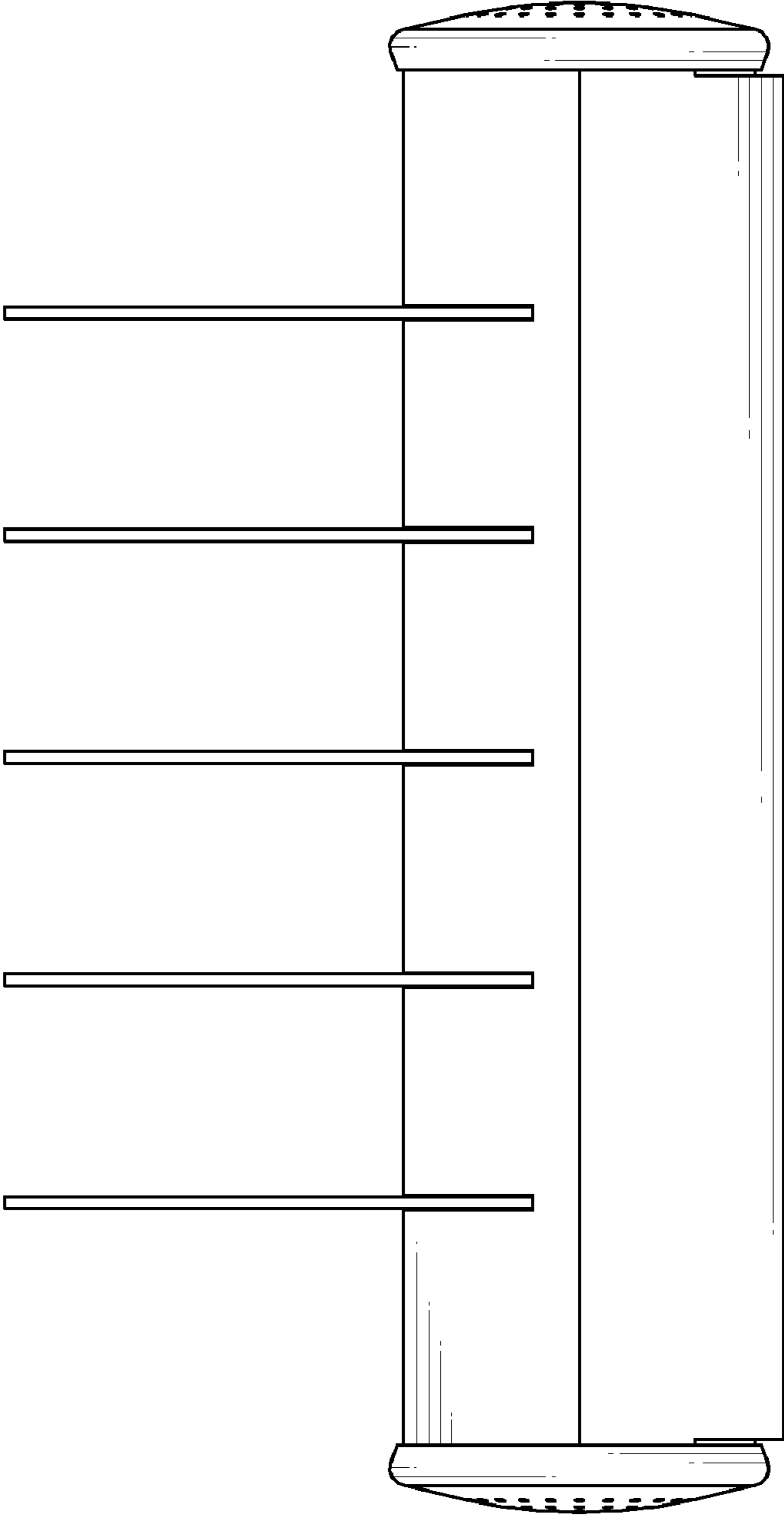


FIG. 3

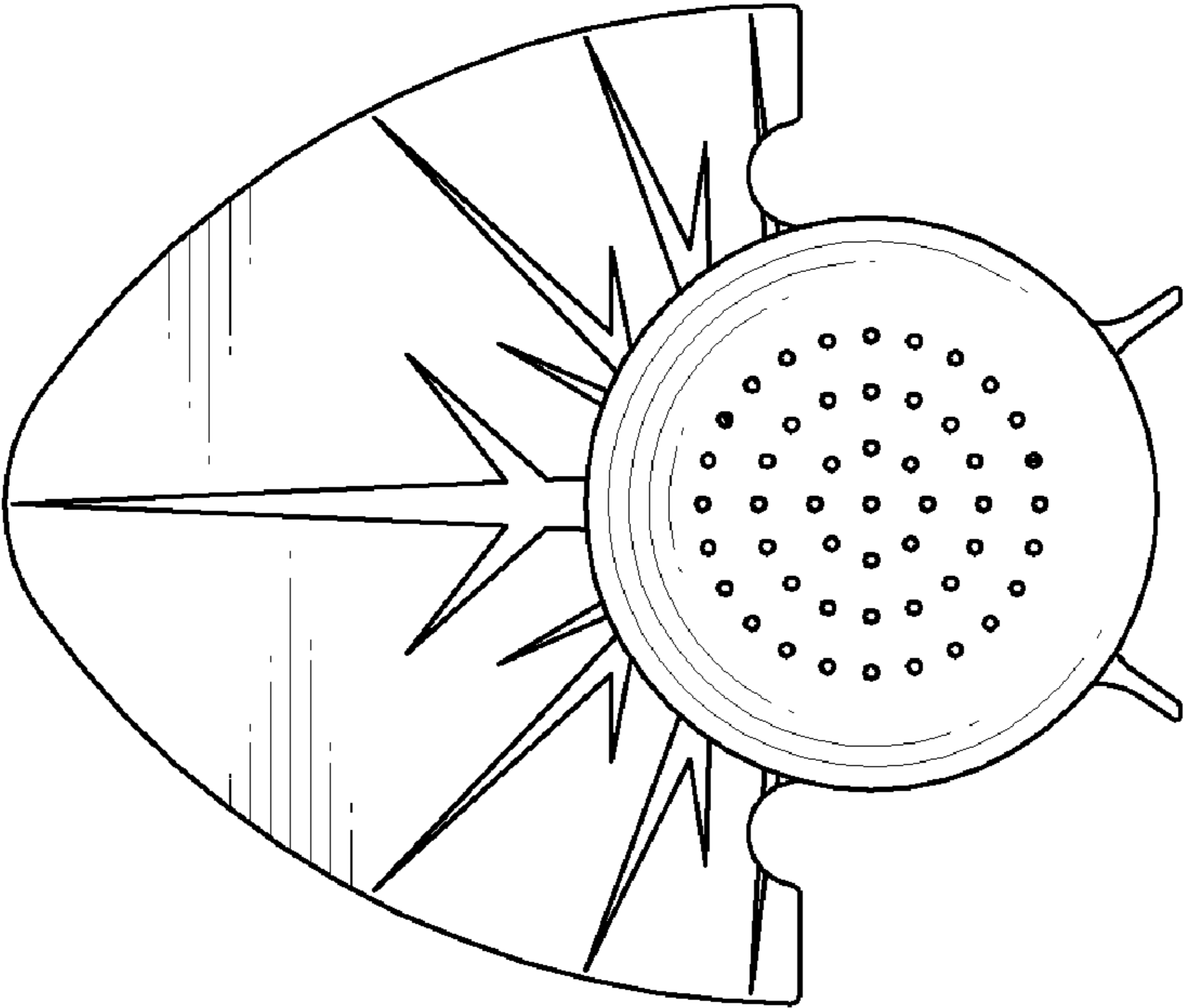


FIG. 4

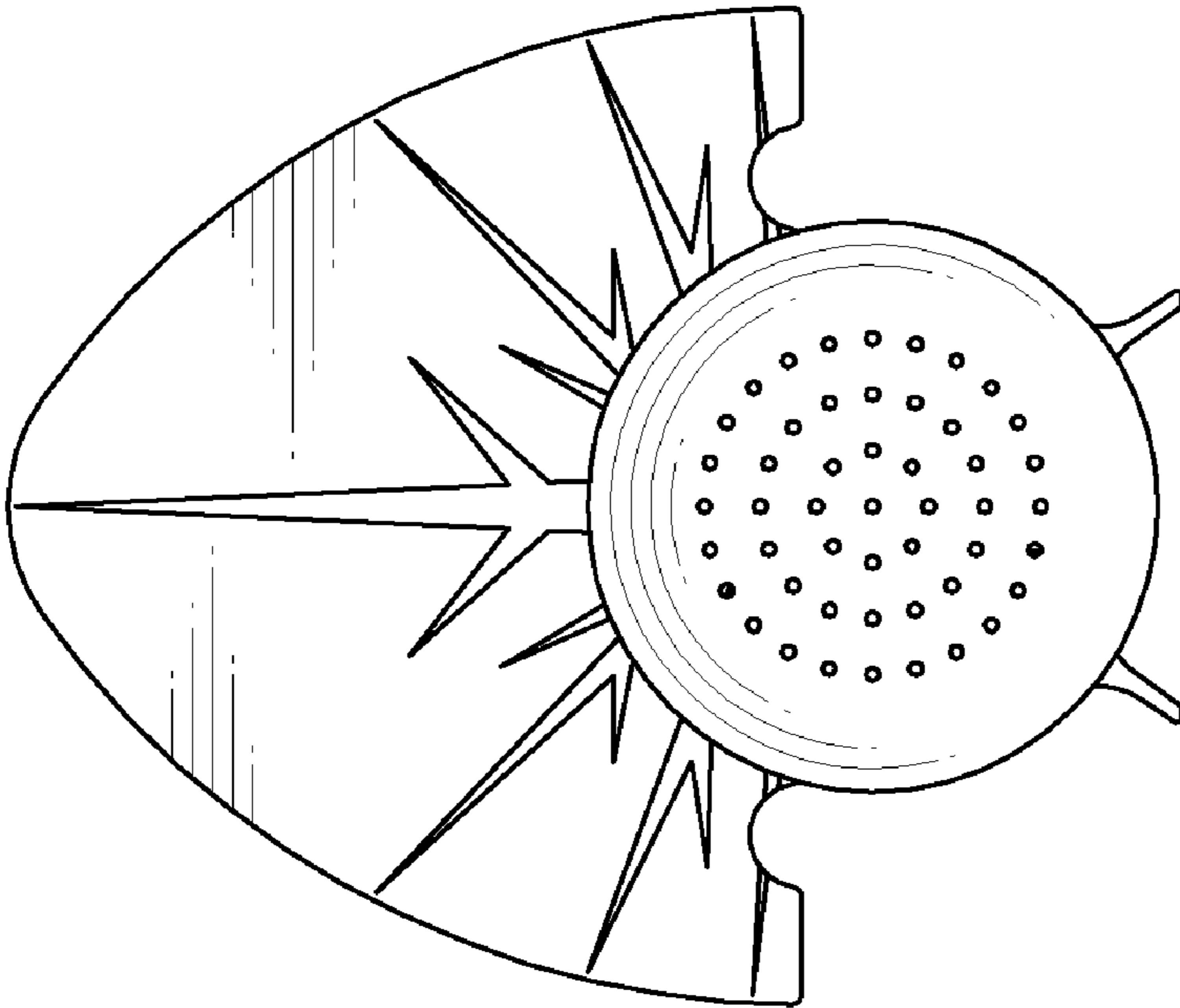


FIG. 5

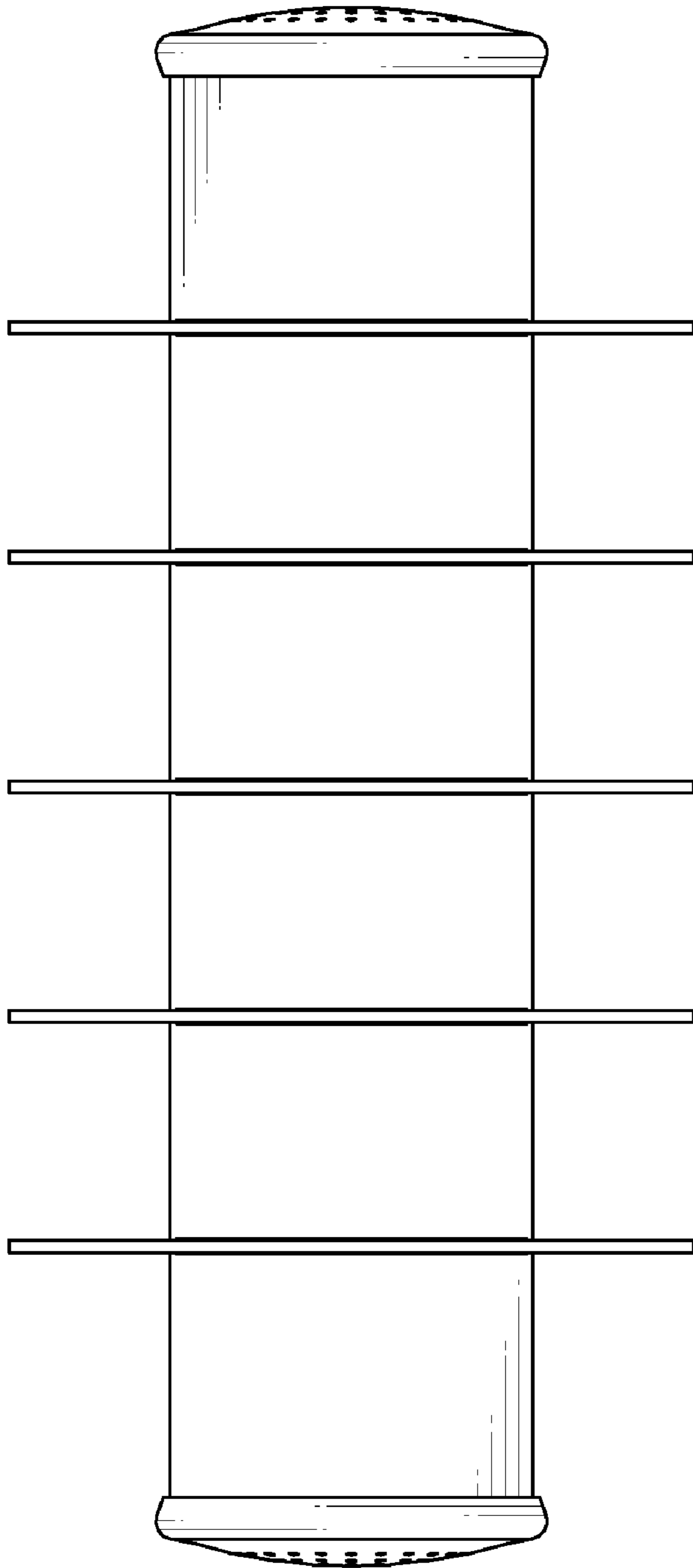


FIG. 6

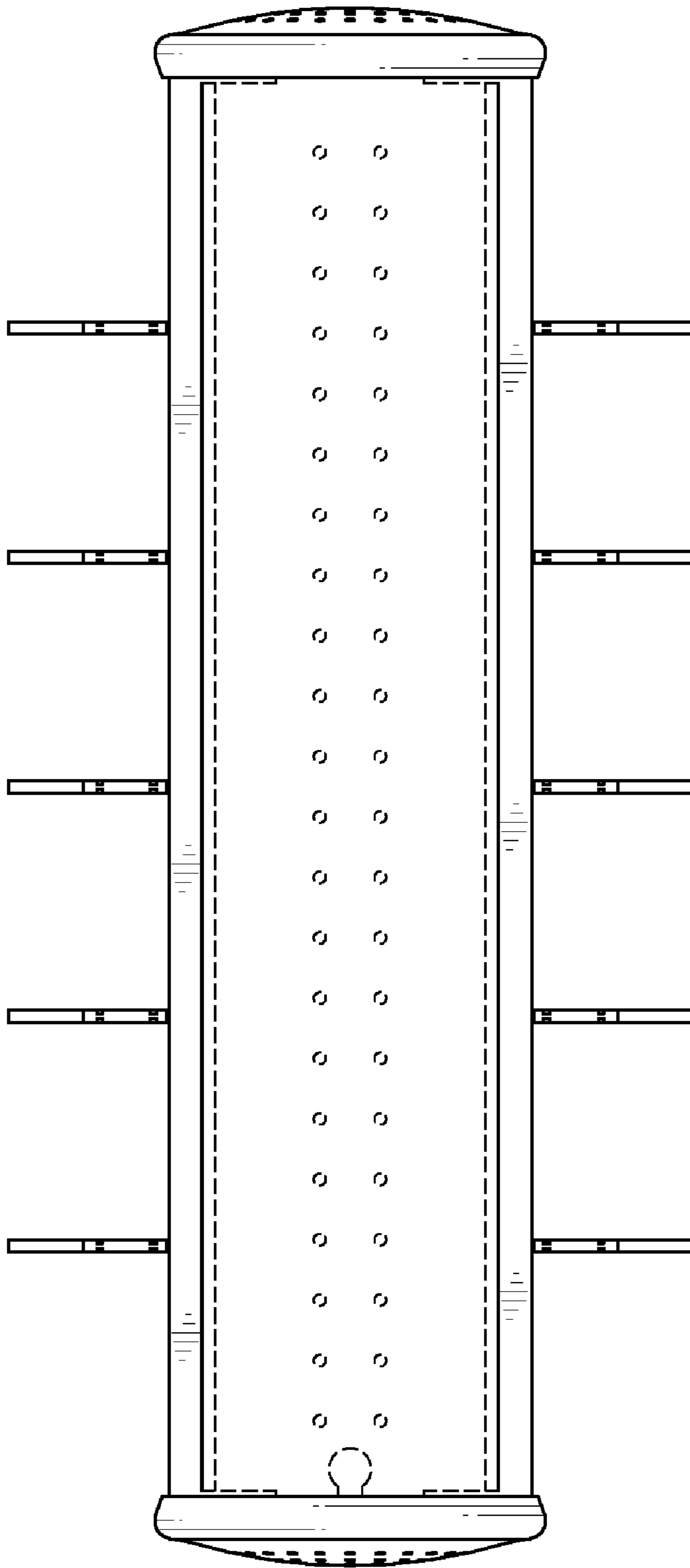


FIG. 7