



US00D635707S

(12) **United States Design Patent**
Ng et al.

(10) **Patent No.:** **US D635,707 S**
(45) **Date of Patent:** **** Apr. 5, 2011**

(54) **LAMP**

(75) Inventors: **Kenneth Ng**, Arcadia, CA (US);
Edmund Ng, Temple City, CA (US);
Peter Ng, Hong Kong (CN)

(73) Assignee: **Koncept Technologies, Inc.**, Monterey
Park, CA (US)

(**) Term: **14 Years**

(21) Appl. No.: **29/359,831**

(22) Filed: **Apr. 15, 2010**

(51) **LOC (9) Cl.** **26-05**

(52) **U.S. Cl.** **D26/65; D26/60**

(58) **Field of Classification Search** D26/60-66,
D26/93, 107-109, 118, 102, 104; 362/145,
362/153, 153.1, 217.02, 220, 223, 431, 269,
362/270, 274, 275, 277, 280-285, 287, 288,
362/311.02, 413, 427, 249.01-249.03, 249.07,
362/249.1, 800, 238, 240, 249.09, 421
See application file for complete search history.

(56) **References Cited**

U.S. PATENT DOCUMENTS

D486,938 S *	2/2004	Waldmann	D26/60
D495,082 S *	8/2004	Marchand	D26/65
D510,451 S *	10/2005	Marchand	D26/65
D523,164 S *	6/2006	Ng	D26/65

D574,530 S *	8/2008	Tragatschnig	D26/61
D606,692 S *	12/2009	Waldmann	D26/65
D620,165 S *	7/2010	Huang	D26/63
D622,885 S *	8/2010	Ng et al.	D26/65
D626,279 S *	10/2010	Watson et al.	D26/93
2007/0247860 A1 *	10/2007	Franklin et al.	362/431

* cited by examiner

Primary Examiner — Susan M Lee

Assistant Examiner — Linda G. Brooks

(74) *Attorney, Agent, or Firm* — Foley & Larnder LLP

(57) **CLAIM**

The ornamental design for a lamp, as shown and described.

DESCRIPTION

FIG. 1 is a perspective view of a lamp showing our new design;

FIG. 2 is a perspective fragmentary view showing a portion of a bottom, side and end of the upper bar of the lamp of FIG. 1;

FIG. 3 is a right side view thereof;

FIG. 4 is a left side view thereof;

FIG. 5 is a bottom view thereof;

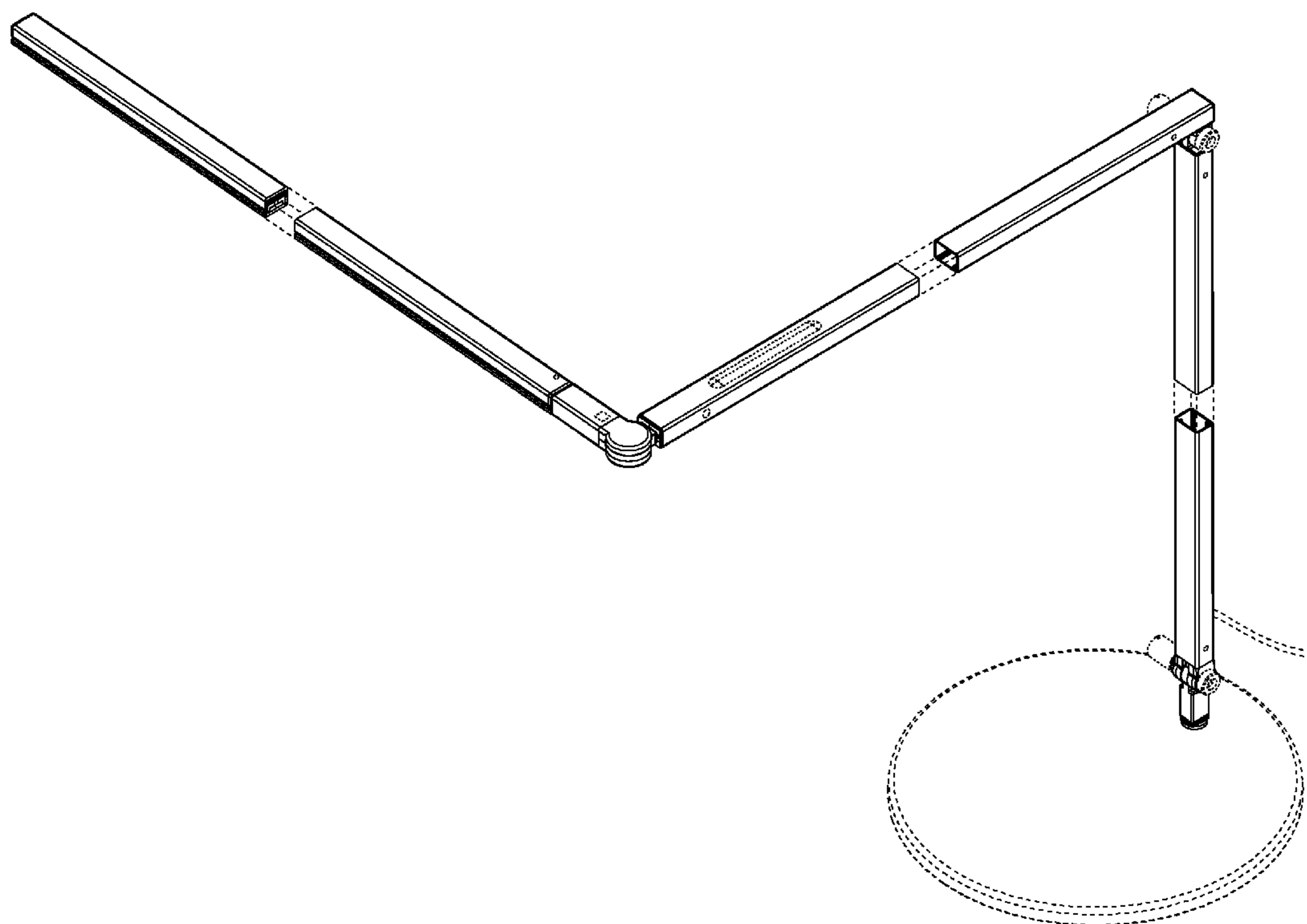
FIG. 6 is a top view thereof;

FIG. 7 is a front view thereof; and,

FIG. 8 is a rear view thereof.

Elements of the lamp have been shown broken away in all figures to indicate that no particular length is claimed. The portions of the lamp shown in broken lines form no part of the claimed design.

1 Claim, 8 Drawing Sheets



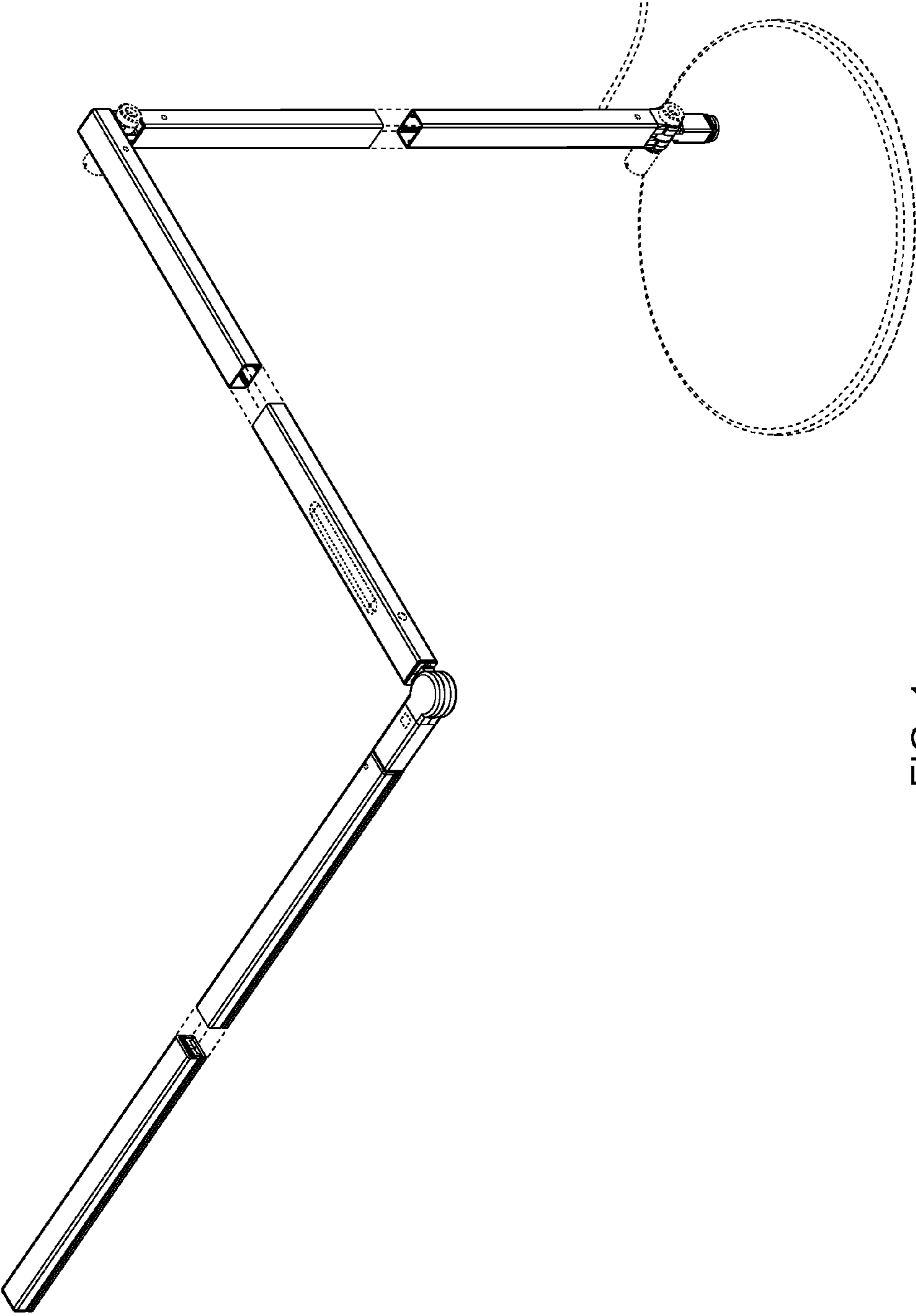


FIG. 1

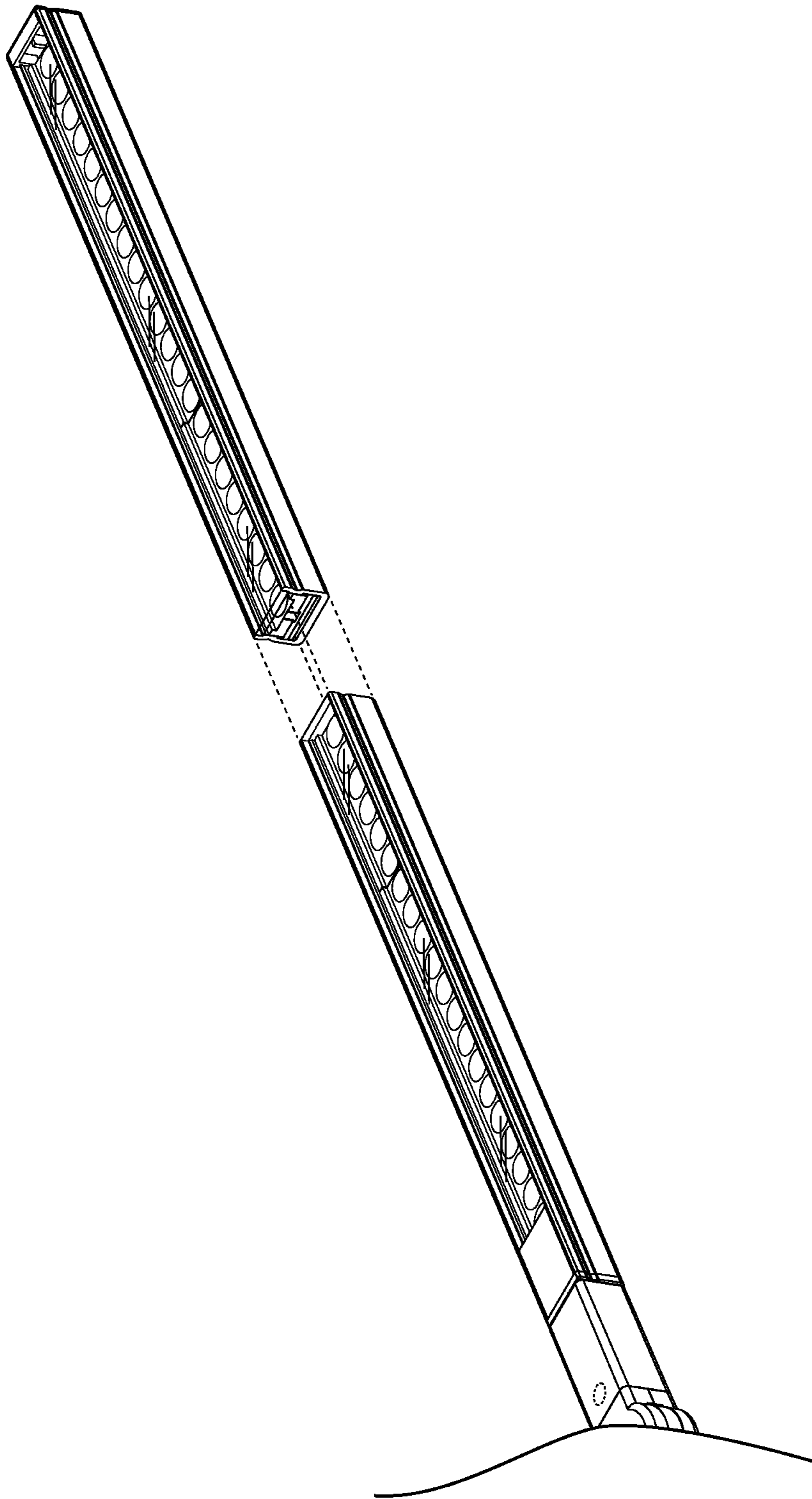


FIG. 2

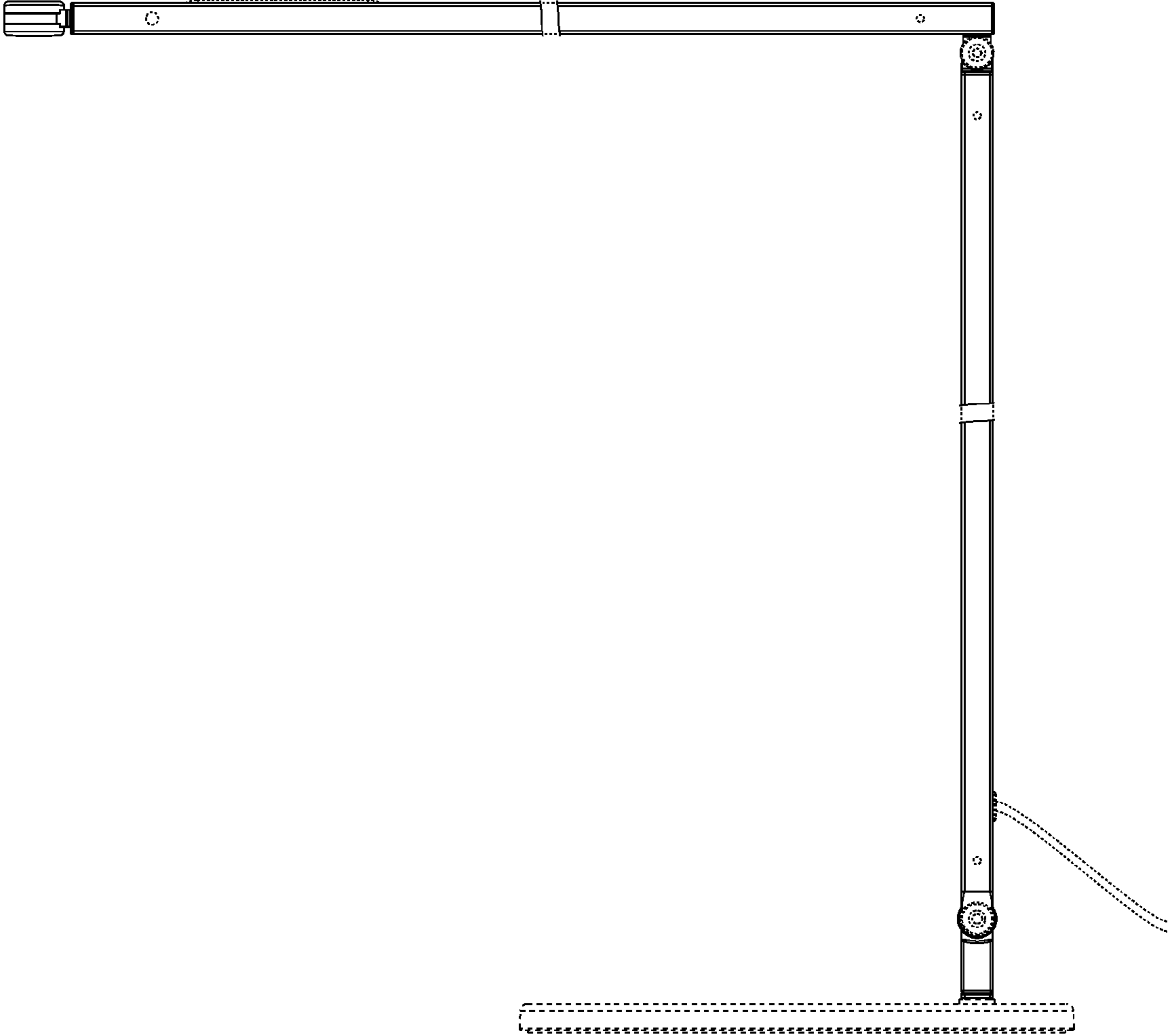


FIG. 3

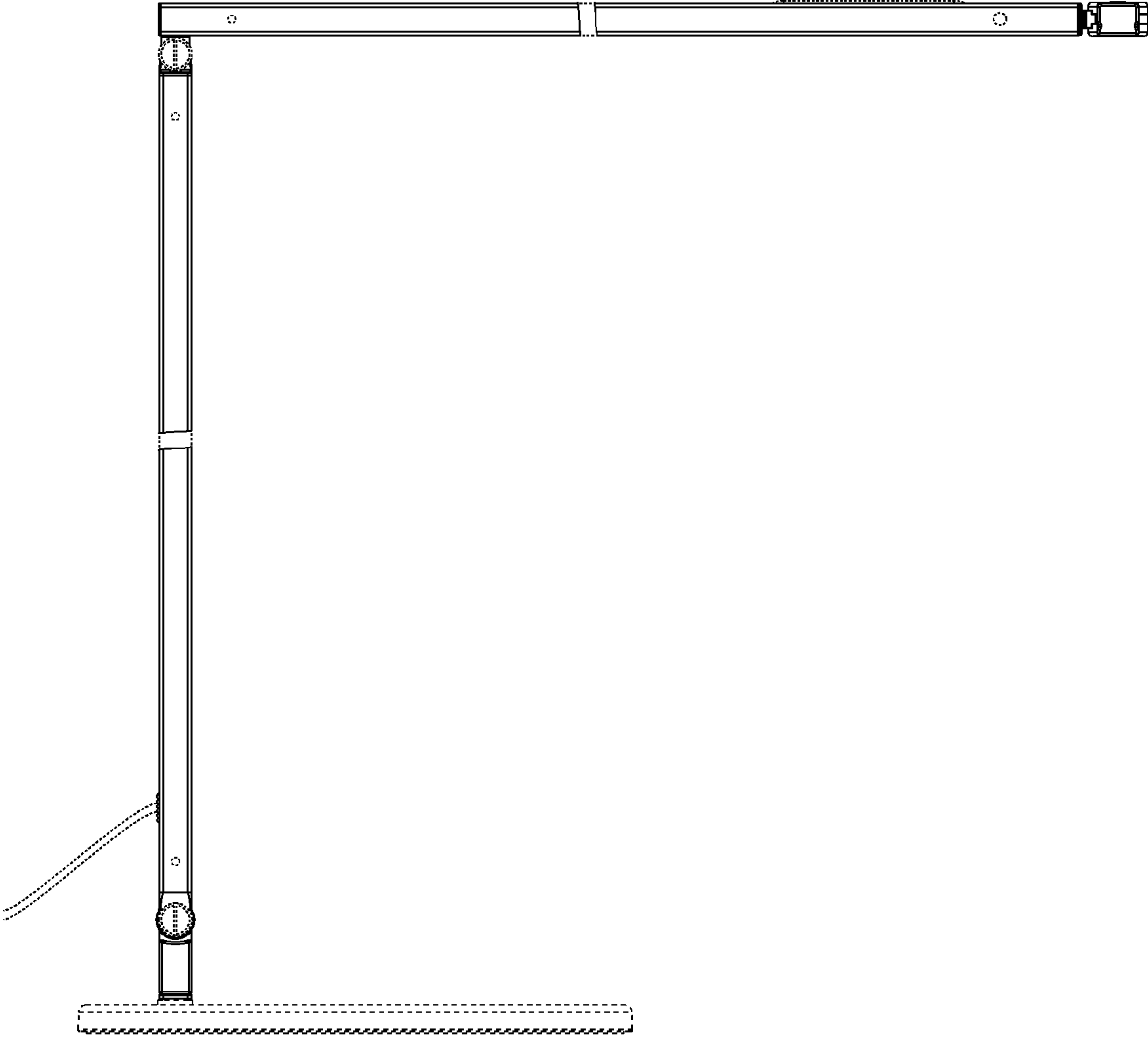


FIG. 4

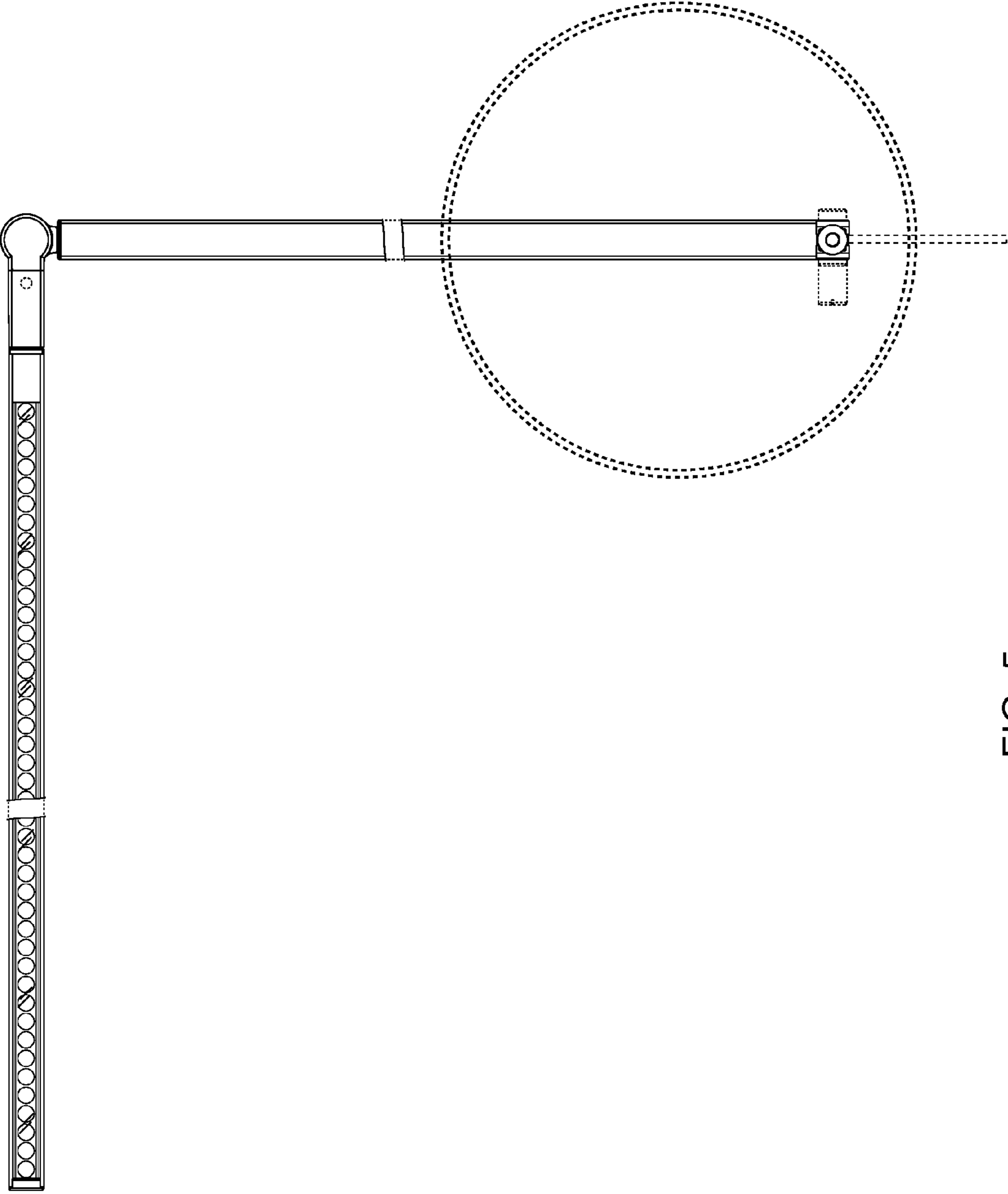


FIG. 5

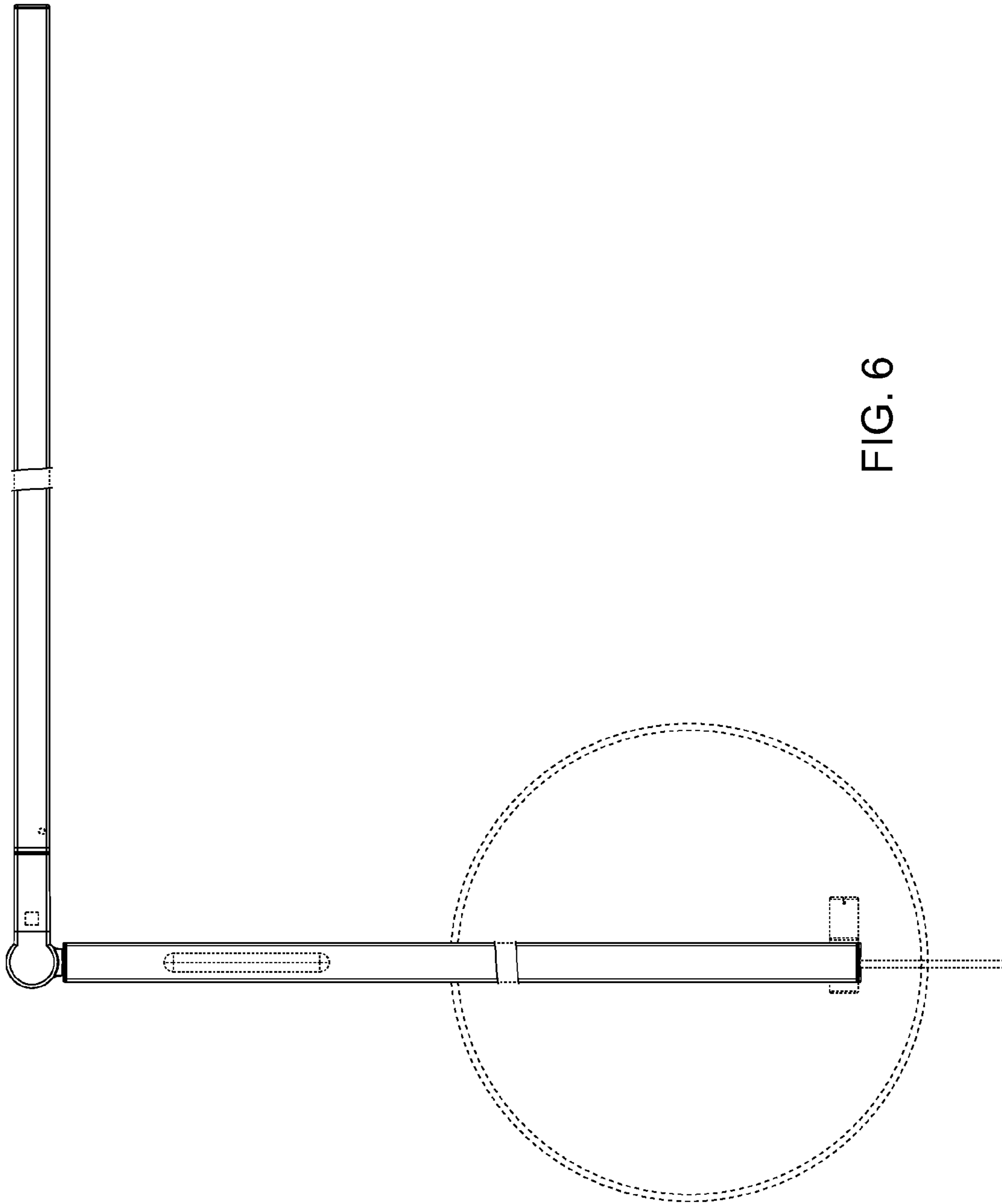


FIG. 6

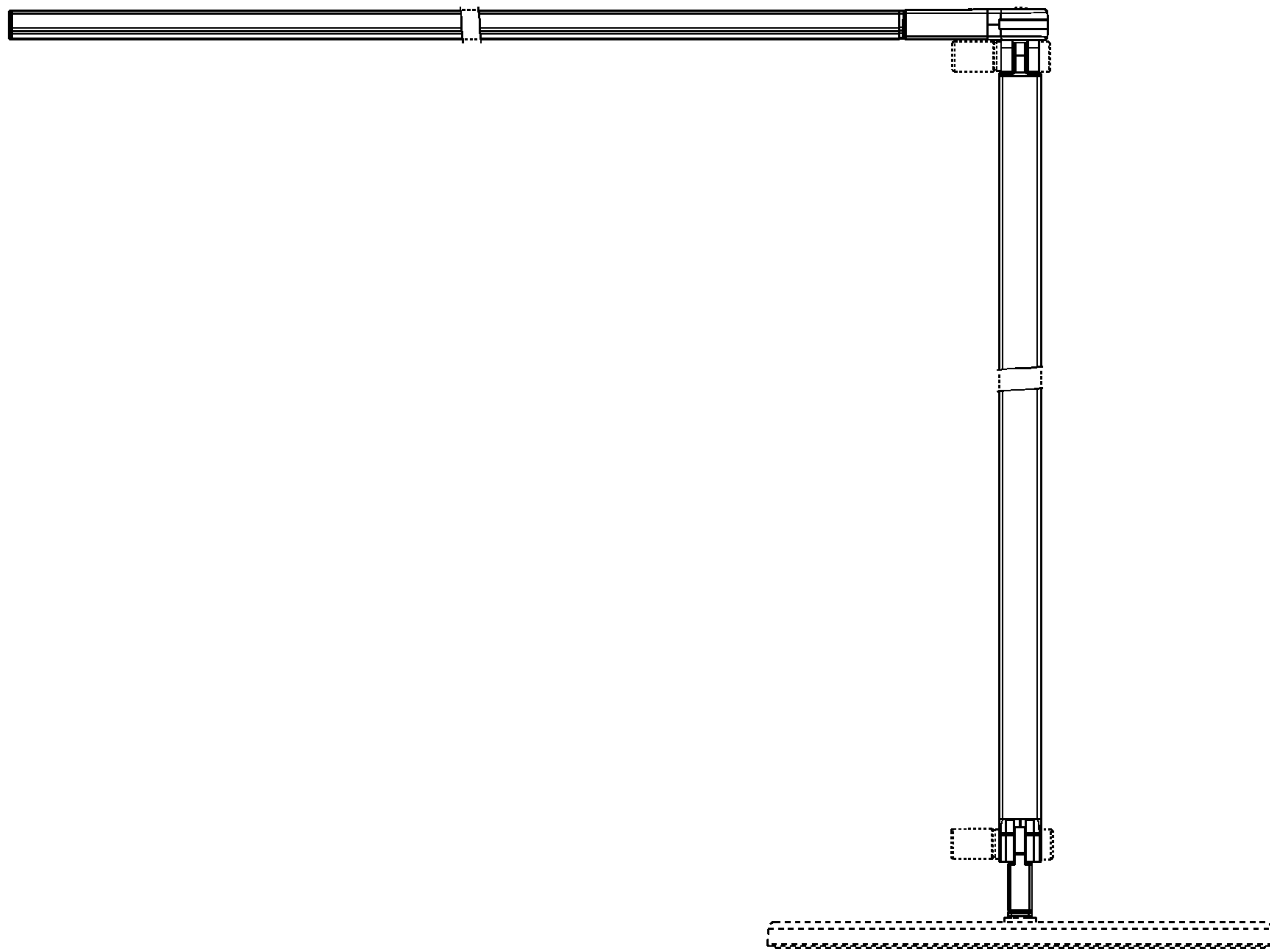


FIG. 7

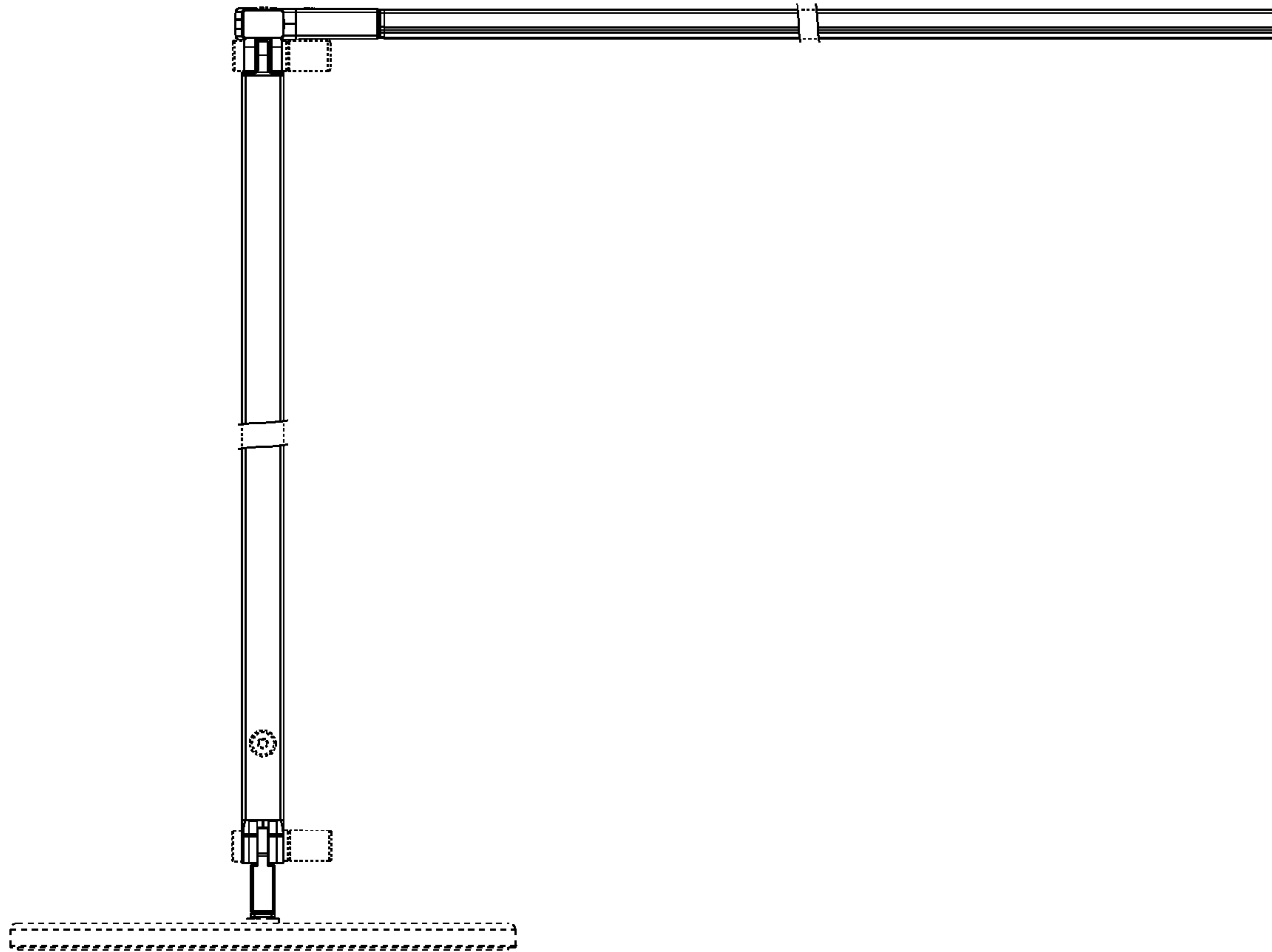


FIG. 8