



US00D635706S

(12) **United States Design Patent**  
**Hodgson**

(10) **Patent No.:** **US D635,706 S**  
(45) **Date of Patent:** **\*\* Apr. 5, 2011**

(54) **EASEL LAMP**

(75) Inventor: **Fraser Milbourne Hodgson**, London  
(GB)

(73) Assignee: **The Daylight Company (Holdings)**  
**Limited** (GB)

(\*\*) Term: **14 Years**

(21) Appl. No.: **29/365,873**

(22) Filed: **Jul. 16, 2010**

(30) **Foreign Application Priority Data**

Jan. 18, 2010 (EM) ..... 001657917-001

(51) **LOC (9) Cl.** ..... **26-05**

(52) **U.S. Cl.** ..... **D26/60**

(58) **Field of Classification Search** ..... D26/60-66,  
D26/51, 56, 106-108, 118; 362/396, 394,  
362/395, 98, 99, 157, 174, 191, 197, 198,  
362/269, 270, 274, 277, 278, 281, 282, 287,  
362/288, 362, 368, 371, 372, 285, 413, 414,  
362/418, 427, 428, 253, 33, 145, 812; 40/124.02,  
40/540, 541, 553, 554, 559, 714, 715

See application file for complete search history.

(56) **References Cited**

U.S. PATENT DOCUMENTS

D117,474	S	*	11/1939	Grode	.....	D26/60
4,504,892	A	*	3/1985	Zulfilar	.....	362/234
5,033,528	A	*	7/1991	Volcani	.....	160/351
D383,559	S	*	9/1997	Chan	.....	D26/60
5,765,793	A	*	6/1998	Yu	.....	248/126
6,079,857	A	*	6/2000	Mendelsohn et al.	.....	362/427
D438,318	S	*	2/2001	Lo	.....	D26/60
D520,168	S	*	5/2006	Hodgson	.....	D26/65
D525,381	S	*	7/2006	Hodgson	.....	D26/60
D614,335	S	*	4/2010	Cham	.....	D26/51

\* cited by examiner

*Primary Examiner* — Susan M Lee

*Assistant Examiner* — Linda G. Brooks

(74) *Attorney, Agent, or Firm* — Laubscher & Laubscher,  
P.C.

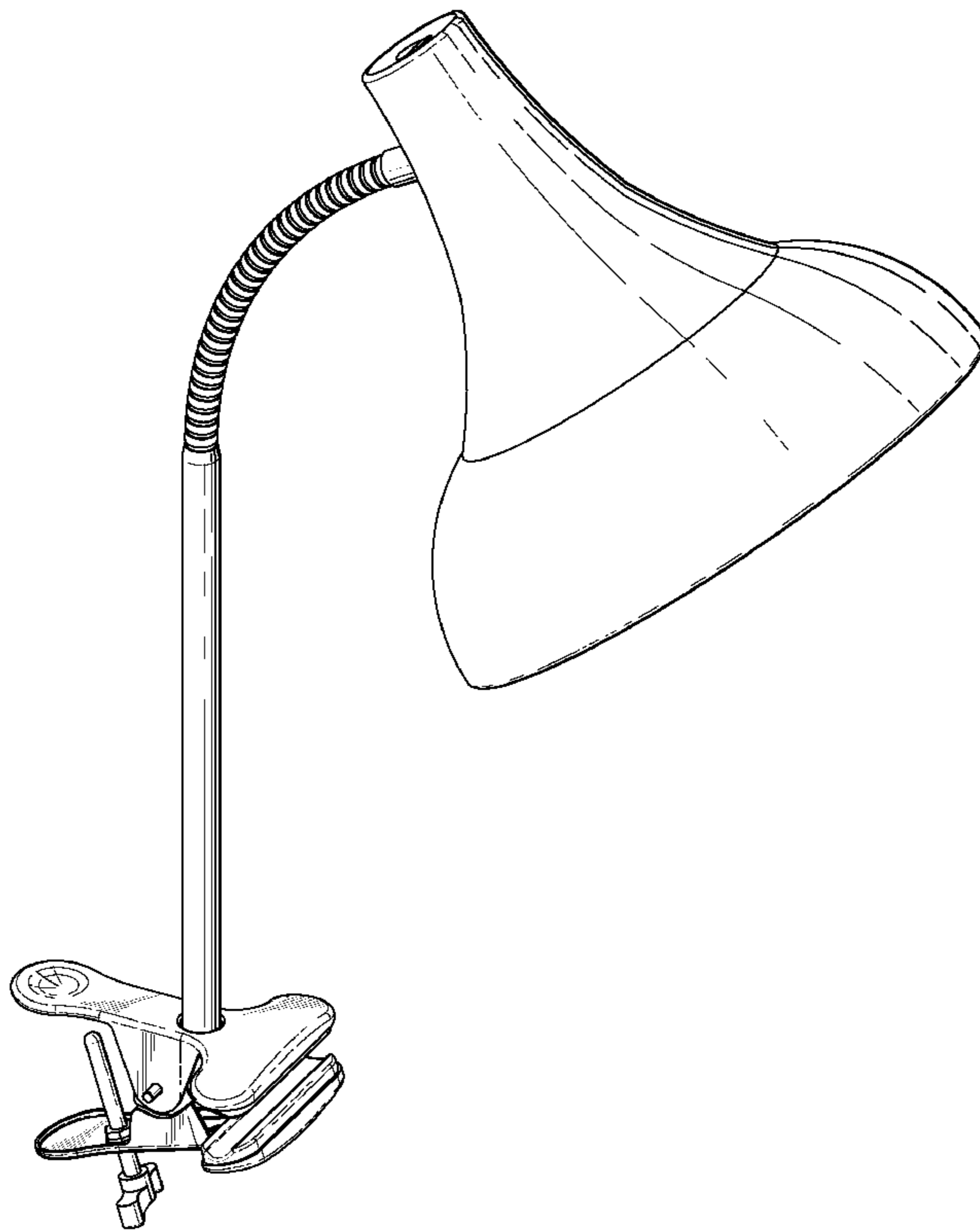
(57) **CLAIM**

The ornamental design for an easel lamp, as shown and described.

**DESCRIPTION**

FIG. 1 is a side perspective view of the invention illustrating my design;  
FIG. 2 is a left side elevation view thereof;  
FIG. 3 is a right side elevation view thereof;  
FIG. 4 is a front elevation view thereof;  
FIG. 5 is a rear elevation view thereof;  
FIG. 6 is a top elevation view thereof; and,  
FIG. 7 is a bottom elevation view thereof.

**1 Claim, 6 Drawing Sheets**



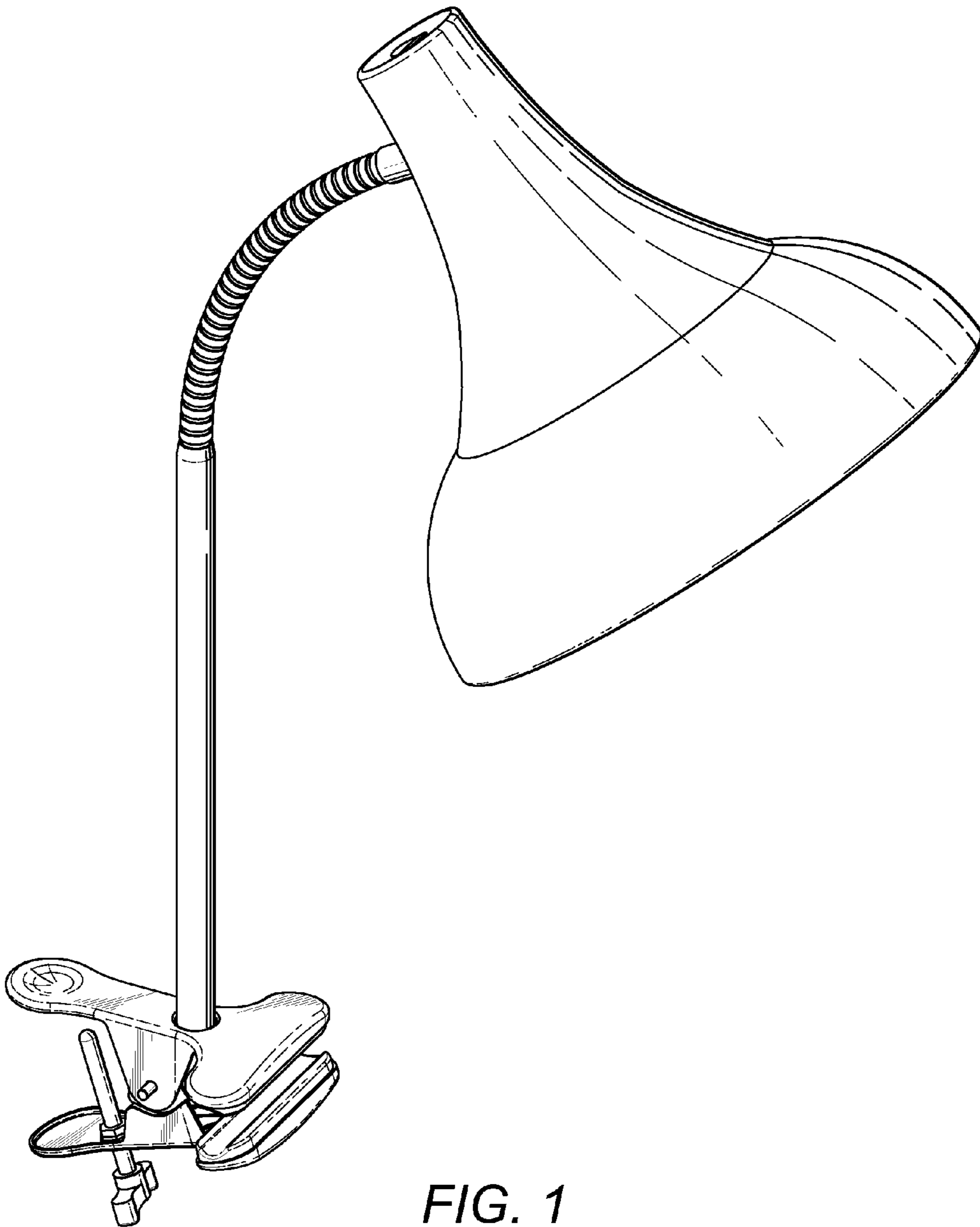


FIG. 1

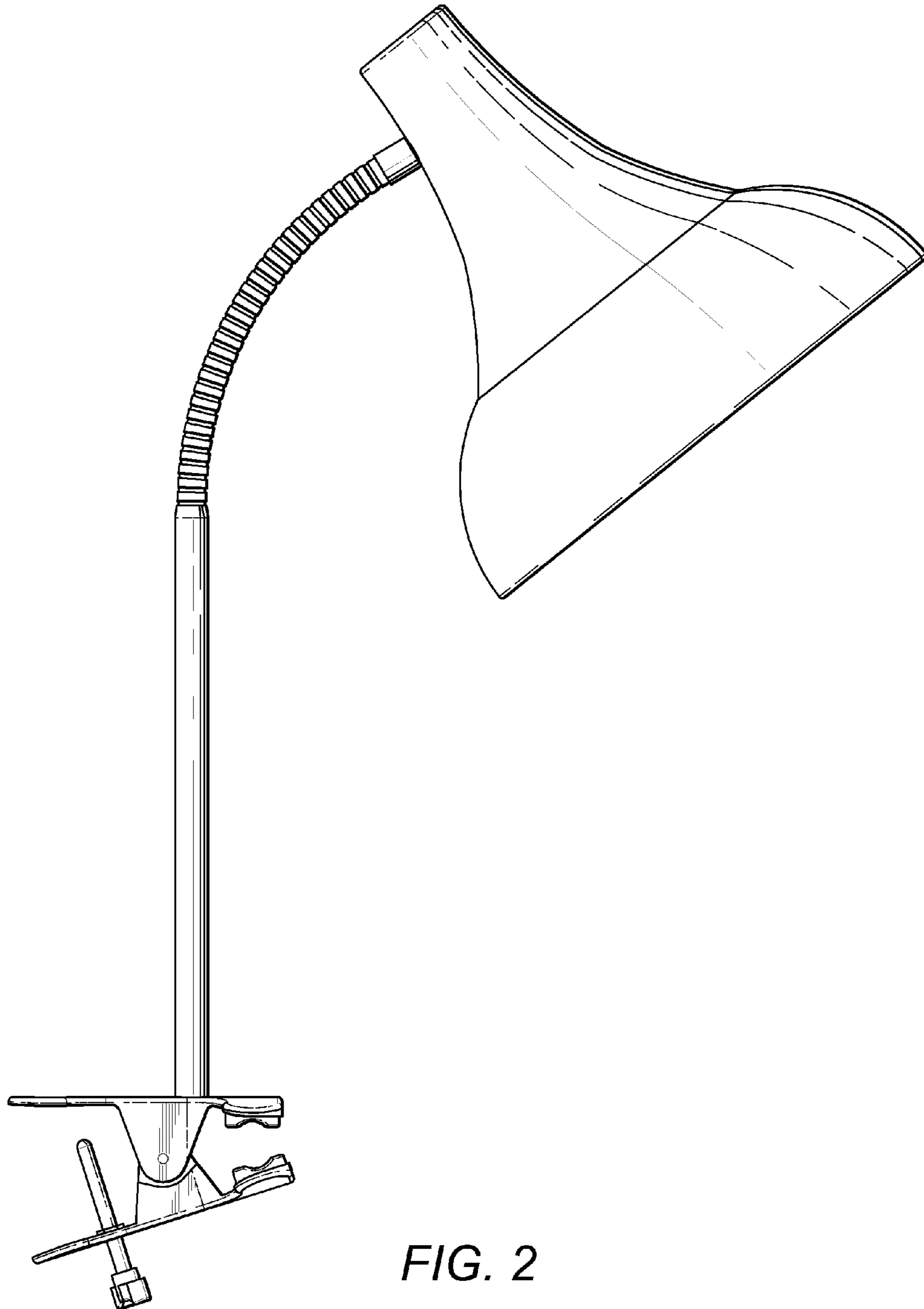


FIG. 2

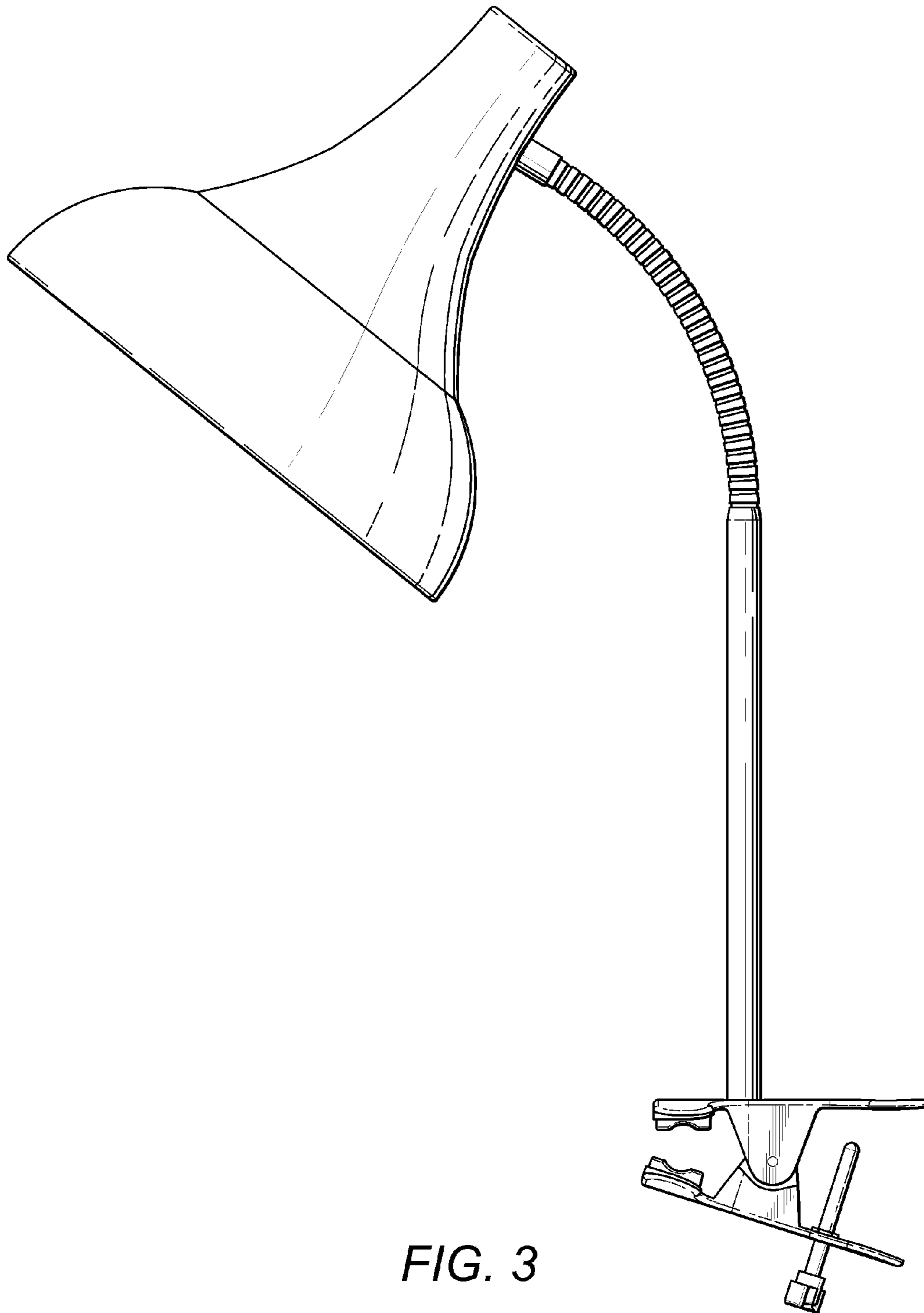
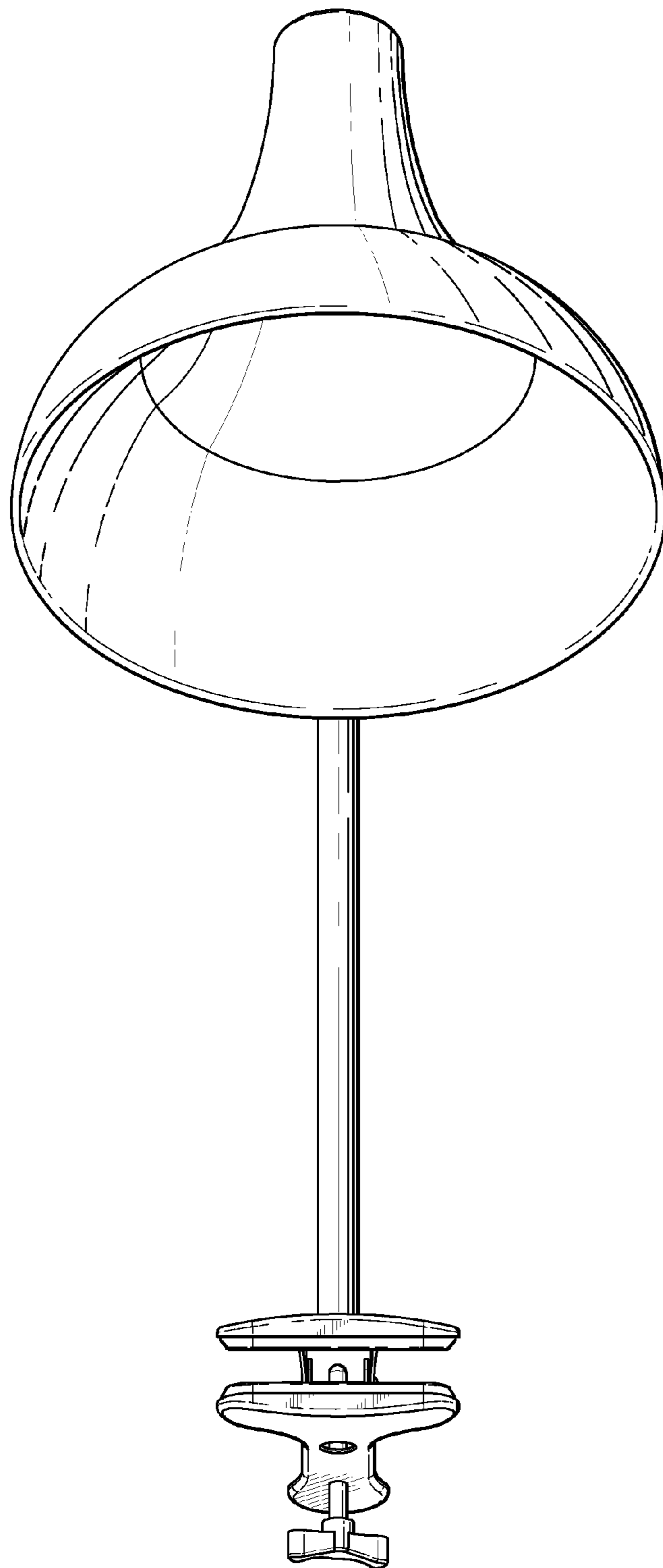


FIG. 3



*FIG. 4*

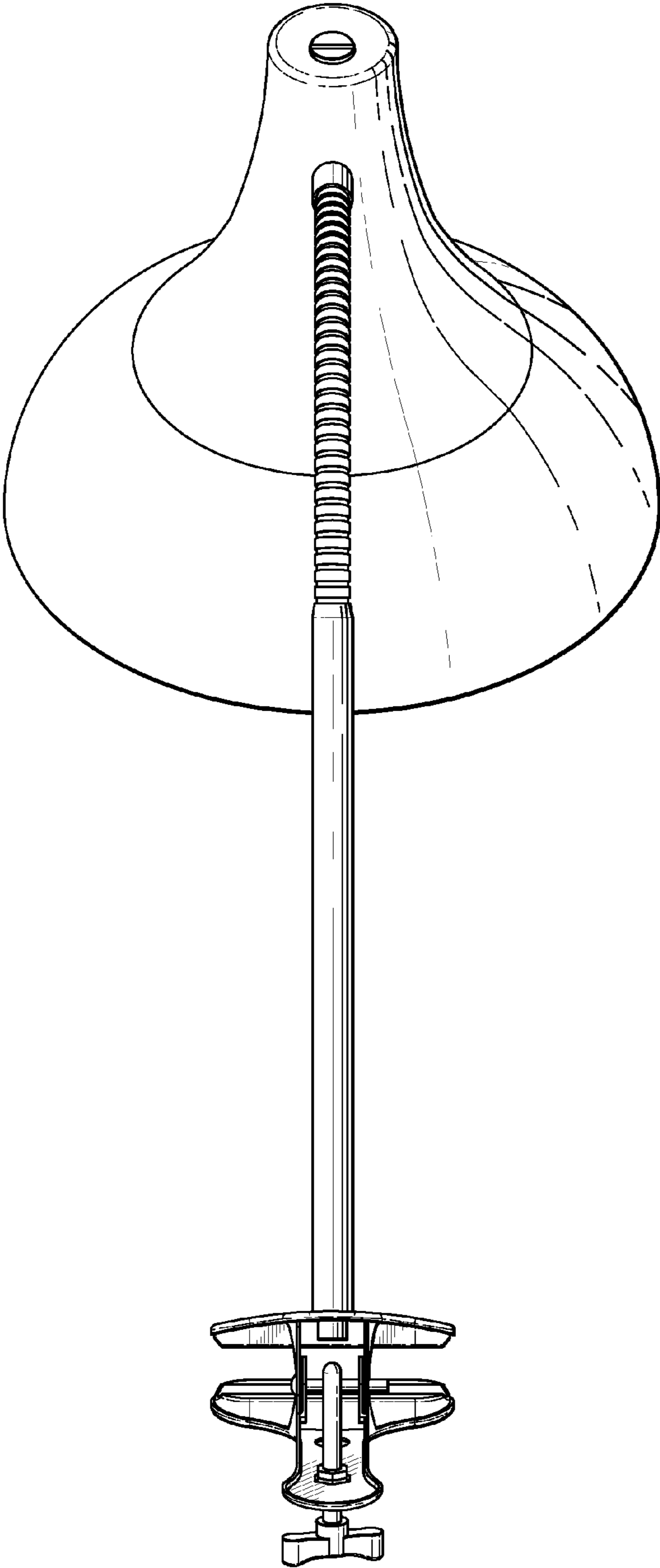


FIG. 5

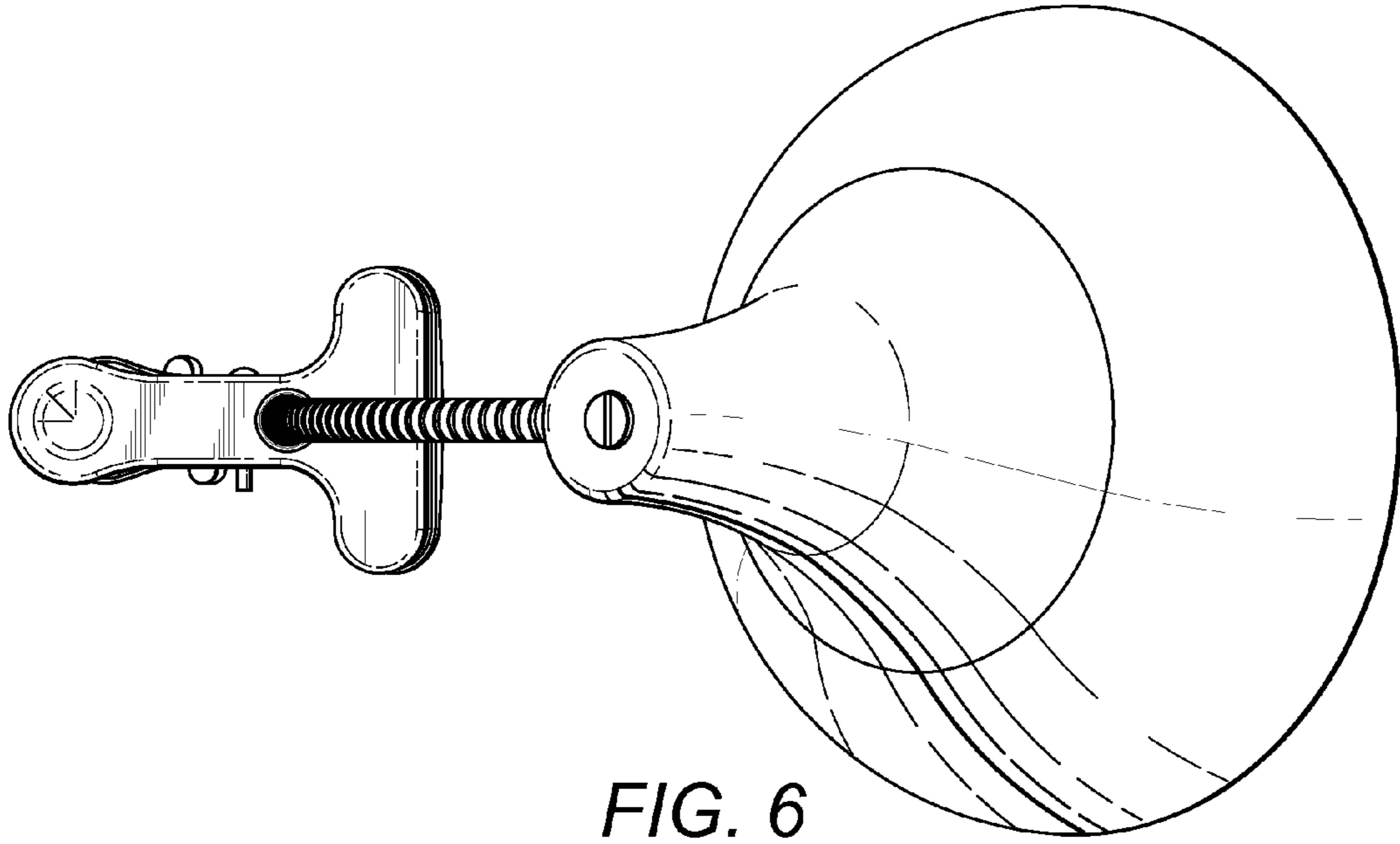


FIG. 6

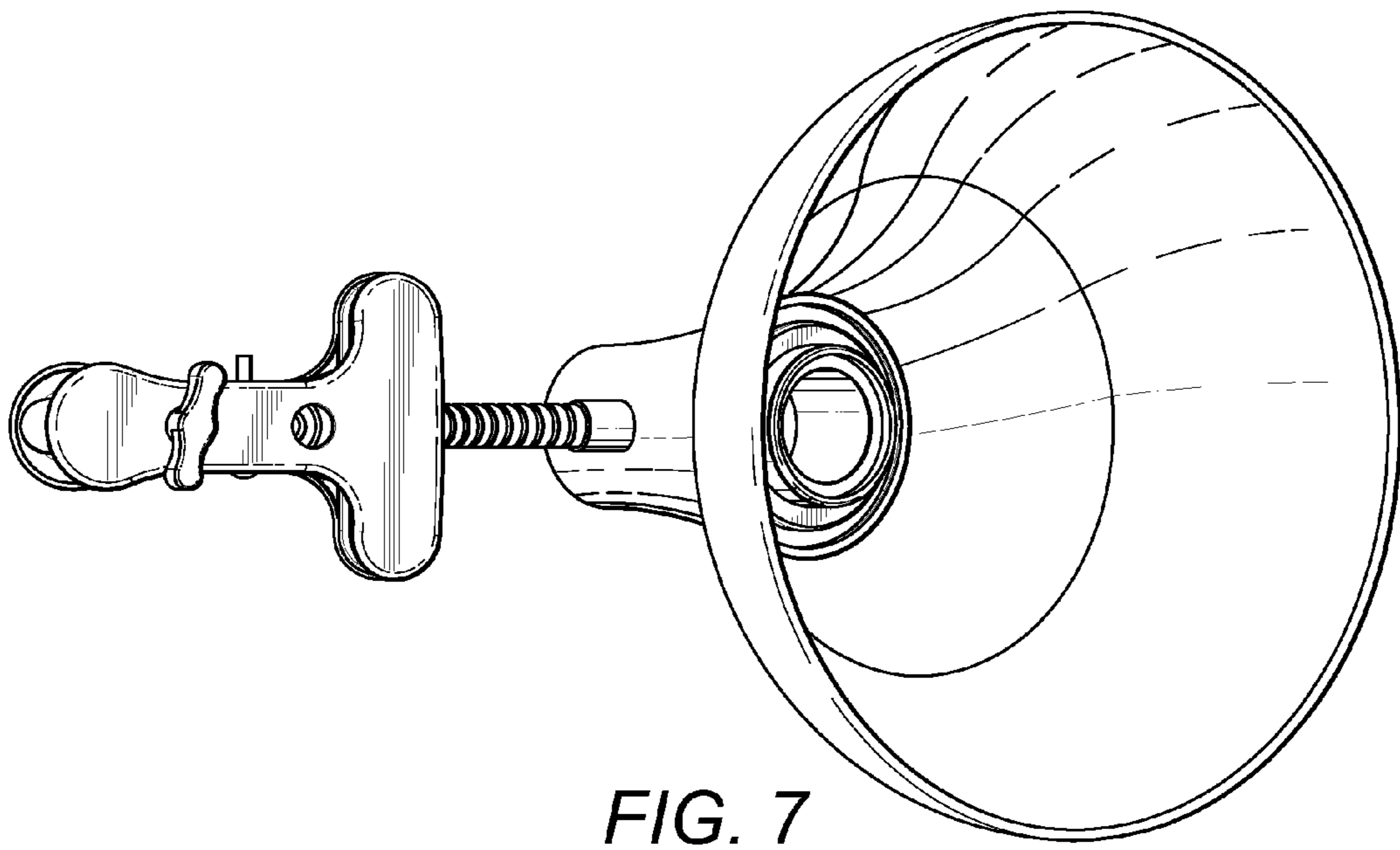


FIG. 7