



US00D635704S

(12) **United States Design Patent**
Kim

(10) **Patent No.:** **US D635,704 S**

(45) **Date of Patent:** **** *Apr. 5, 2011**

- (54) **BODY PORTION OF A FLASHLIGHT**
- (75) Inventor: **Paul Y. Kim**, Santa Ana, CA (US)
- (73) Assignee: **SureFire, LLC**, Fountain Valley, CA (US)
- (*) Notice: This patent is subject to a terminal disclaimer.
- (**) Term: **14 Years**
- (21) Appl. No.: **29/353,888**
- (22) Filed: **Jan. 15, 2010**
- (51) **LOC (9) Cl.** **26-02**
- (52) **U.S. Cl.** **D26/49**
- (58) **Field of Classification Search** D26/37, D26/38, 39, 40, 41, 42, 46, 48, 49; 362/103, 362/104, 105, 106, 108, 157, 158, 174, 183, 362/184, 190, 191, 200-208, 253
See application file for complete search history.

D577,845 S	9/2008	Shiu
D585,577 S	1/2009	Bonis
D590,970 S	4/2009	Kornfeld et al.
D592,338 S	5/2009	Bushee
D596,329 S	7/2009	Galli
D596,772 S	7/2009	Chang
D597,690 S	8/2009	Yamamoto
D605,319 S	12/2009	Devaney et al.
D605,799 S	12/2009	Kim
D608,923 S	1/2010	Yamamoto
D612,968 S	3/2010	Ma
D617,022 S	6/2010	Kung
D624,678 S	9/2010	Kim

(56) **References Cited**

U.S. PATENT DOCUMENTS

6,761,467 B2 *	7/2004	Matthews et al.	362/202
D518,583 S	4/2006	Vickers et al.	
D531,747 S *	11/2006	Brown	D26/49
D534,672 S *	1/2007	Kim	D26/49
D537,969 S	3/2007	Moser	
D537,970 S *	3/2007	Shiu	D26/49
D537,971 S *	3/2007	Shiu	D26/49
D546,491 S *	7/2007	Shiu	D26/49
D554,787 S *	11/2007	Shiu	D26/49
D557,844 S	12/2007	Shiu	
D560,294 S	1/2008	Parsons et al.	
D560,295 S	1/2008	Parsons et al.	
D560,297 S *	1/2008	Brown et al.	D26/37
D565,220 S	3/2008	Galli	
D574,529 S	8/2008	Squires et al.	
D577,452 S	9/2008	Shiu	
D577,843 S	9/2008	Couture et al.	

OTHER PUBLICATIONS

U.S. Appl. No. 29/353,884, Kim, Paul Y.
U.S. Appl. No. 29/353,890, Kim, Paul Y.

* cited by examiner

Primary Examiner — Ian Simmons

Assistant Examiner — Carissa C Fitts

(74) *Attorney, Agent, or Firm* — Haynes and Boone, LLP

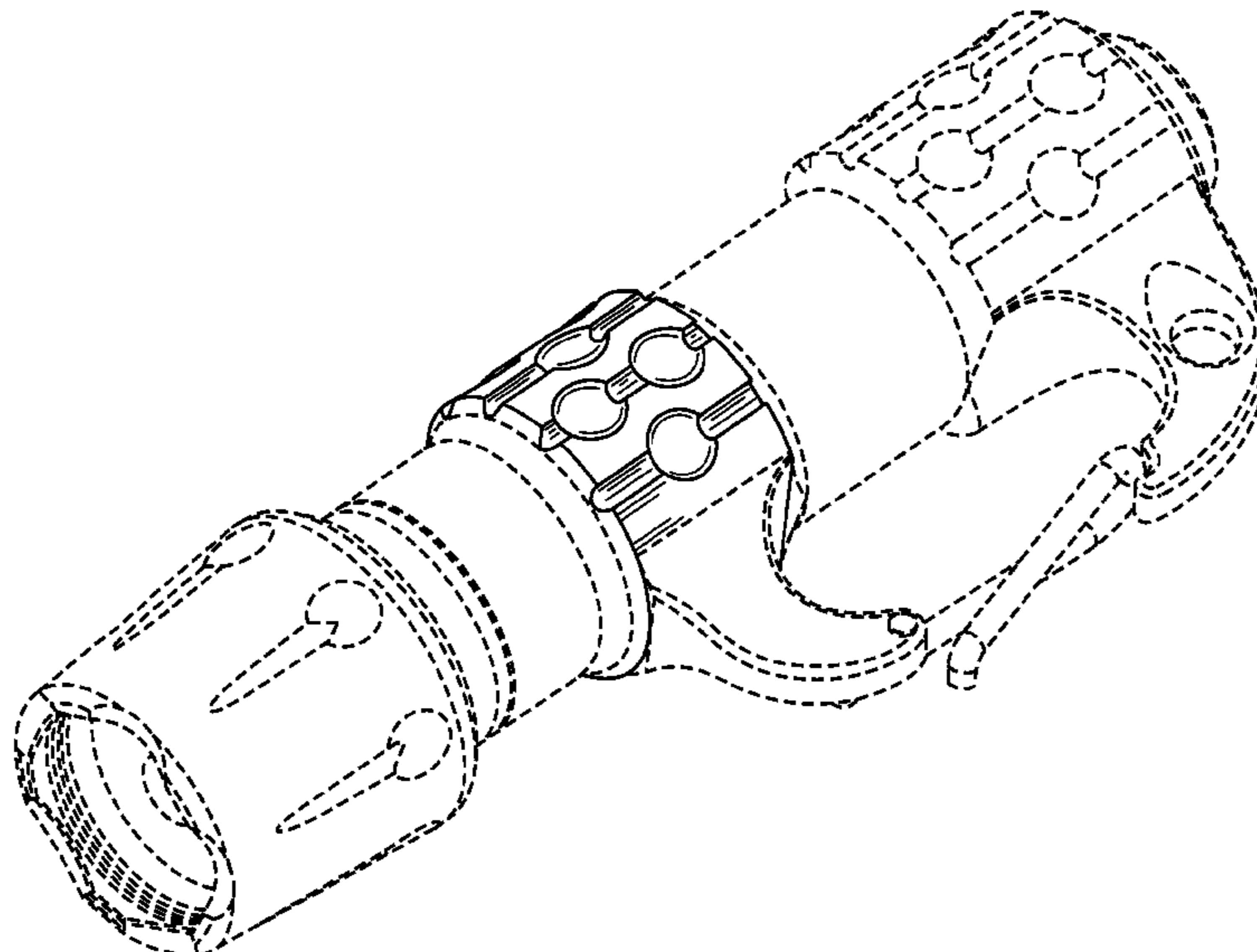
(57) **CLAIM**

The ornamental design for a body portion of a flashlight, as shown and described.

DESCRIPTION

FIG. 1 is a front perspective view of a body portion of a flashlight showing my new design;
FIG. 2 is a rear perspective view thereof;
FIG. 3 is a top plan view thereof;
FIG. 4 is a bottom plan view thereof;
FIG. 5 is a left side elevational view thereof;
FIG. 6 is a right side elevational view thereof;
FIG. 7 is a front side elevational view thereof; and,
FIG. 8 is a rear side elevational view thereof.
The dashed lines in FIGS. 1-8 are shown for illustrative purposes and form no part of the claimed design.

1 Claim, 7 Drawing Sheets



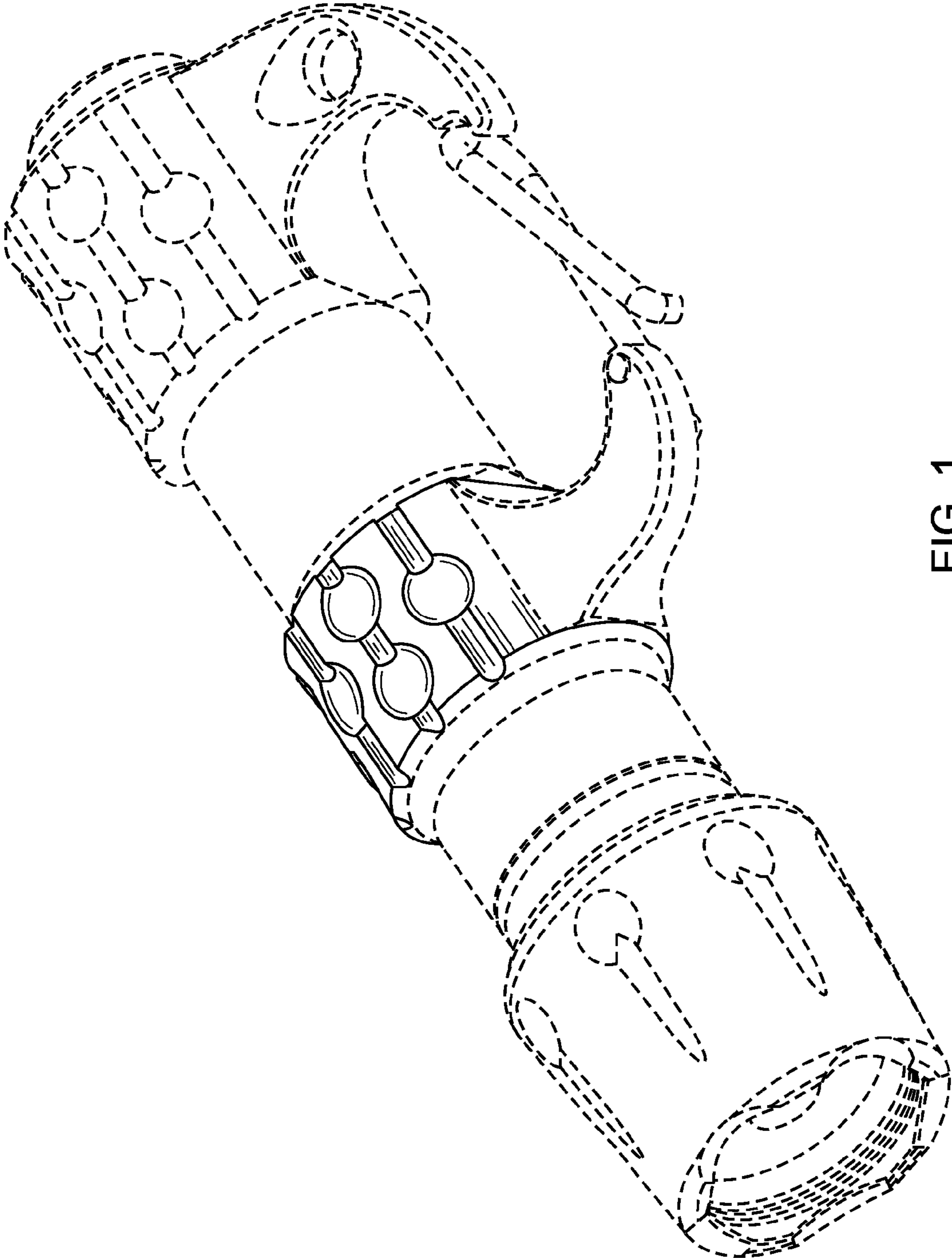


FIG. 1

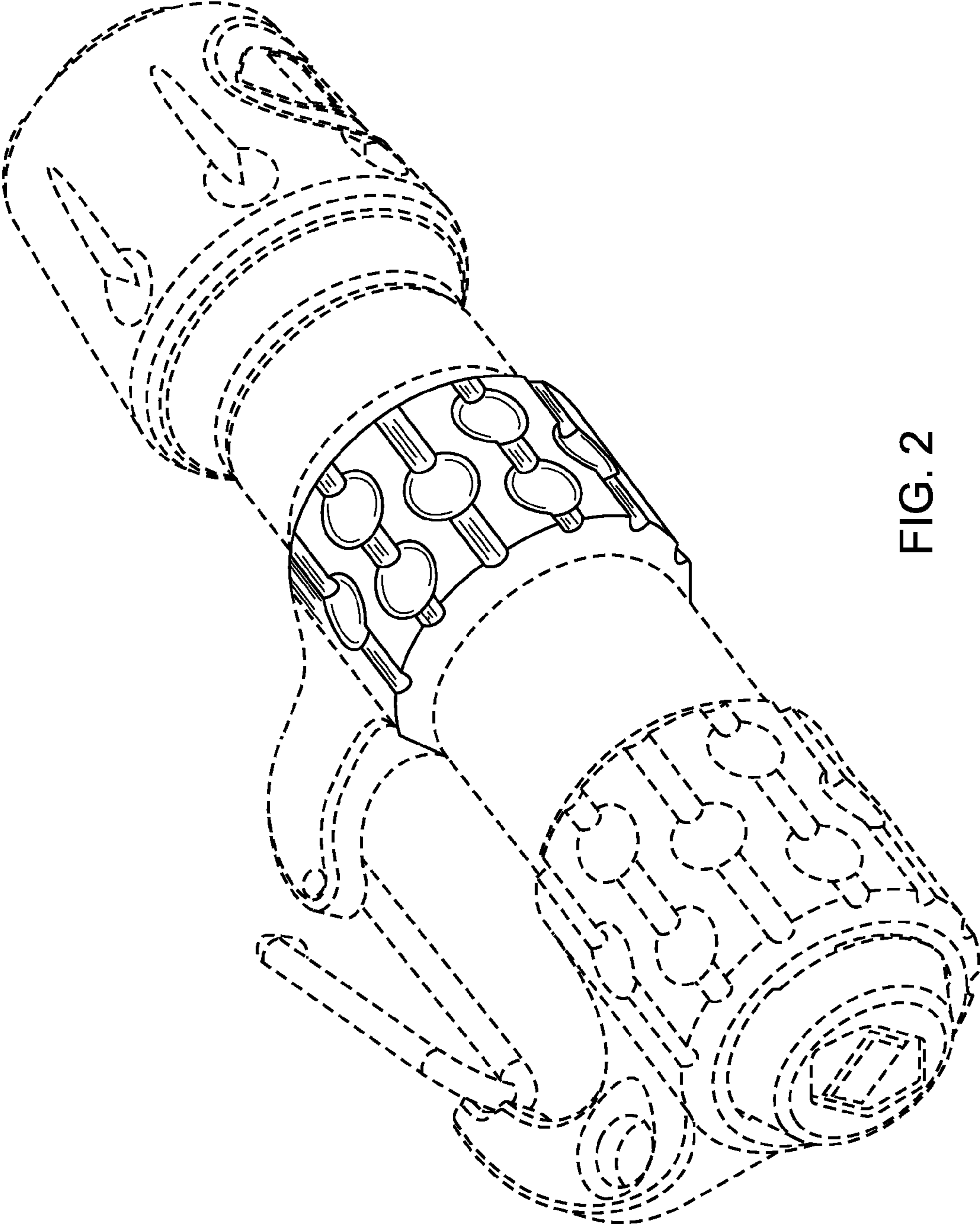


FIG. 2

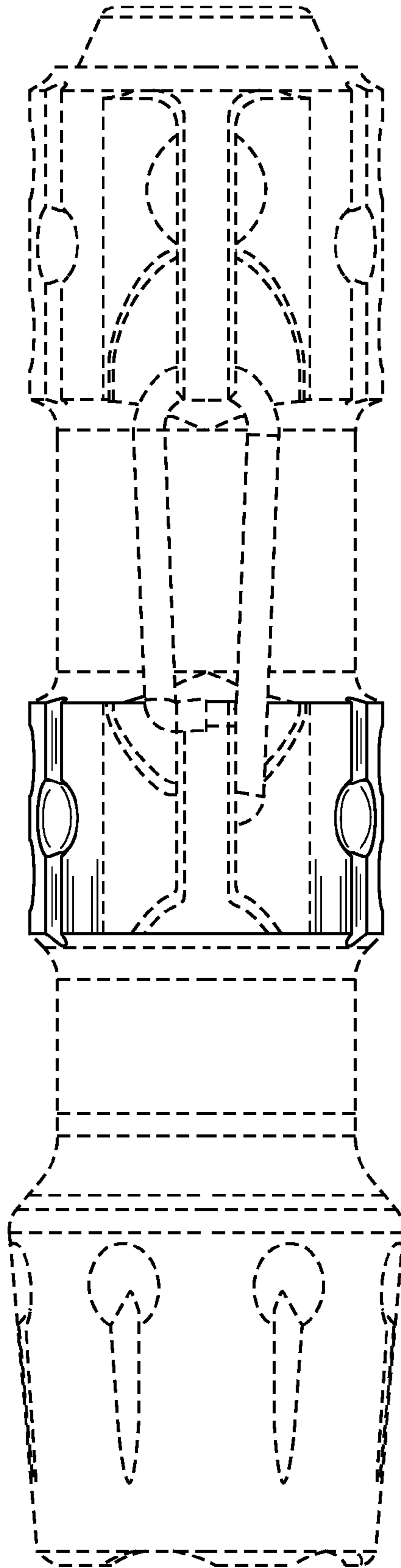


FIG. 3

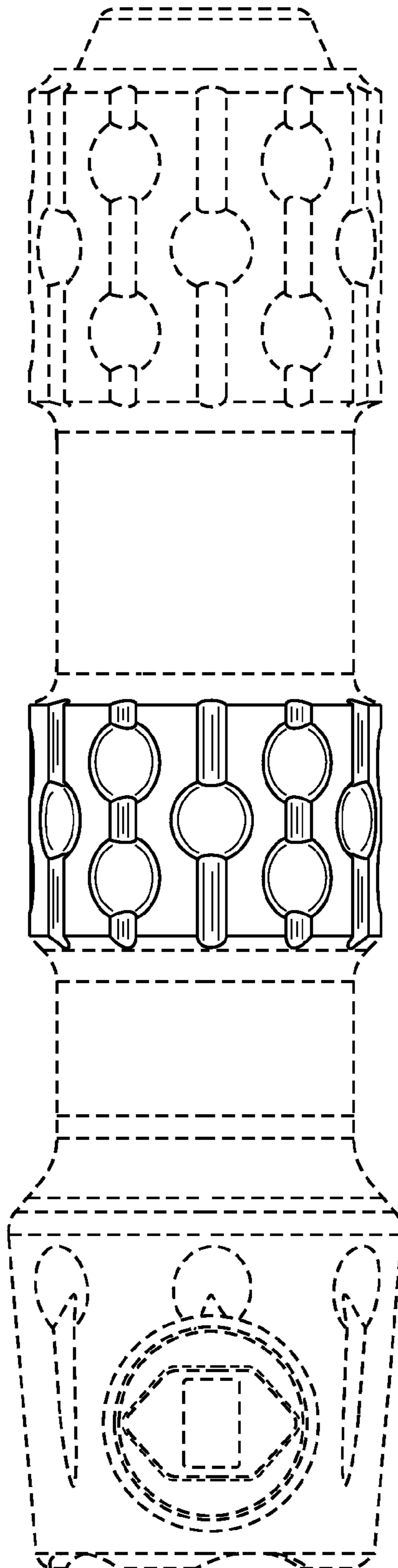


FIG. 4

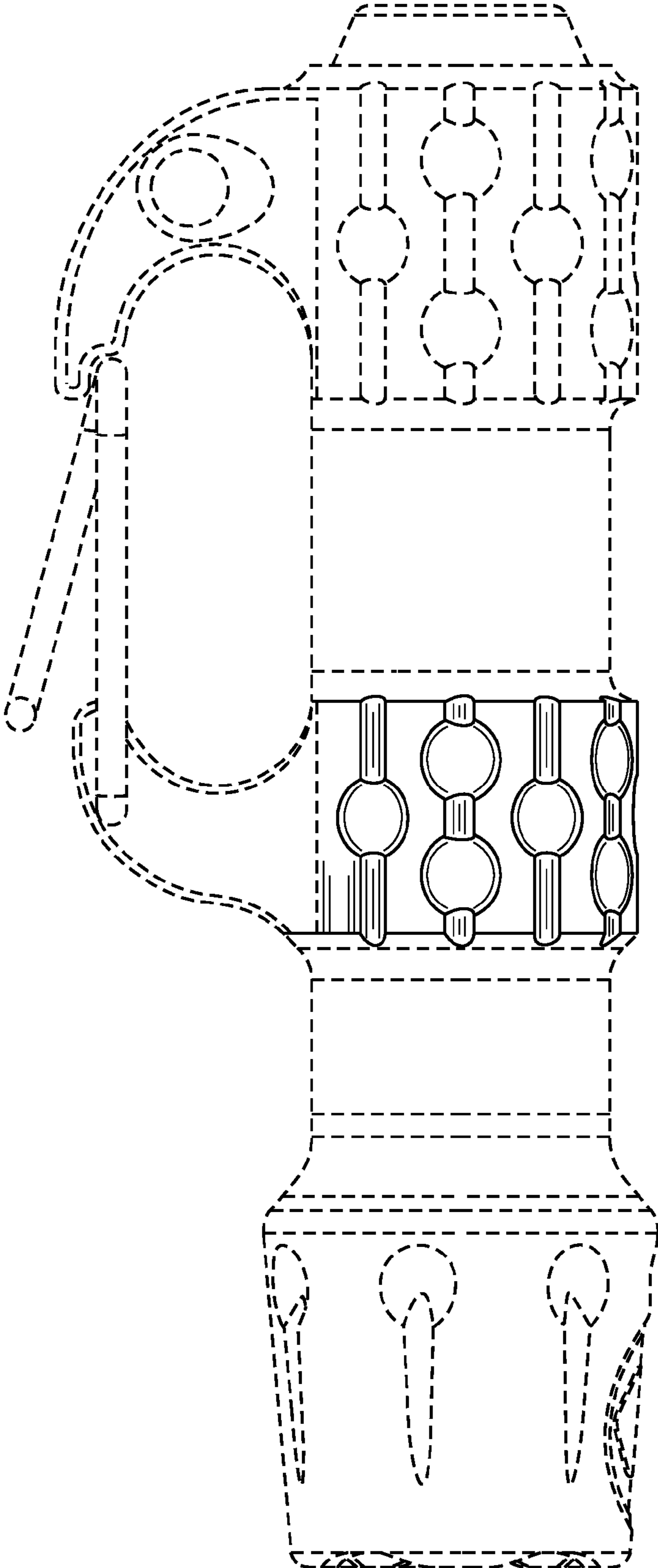


FIG. 5

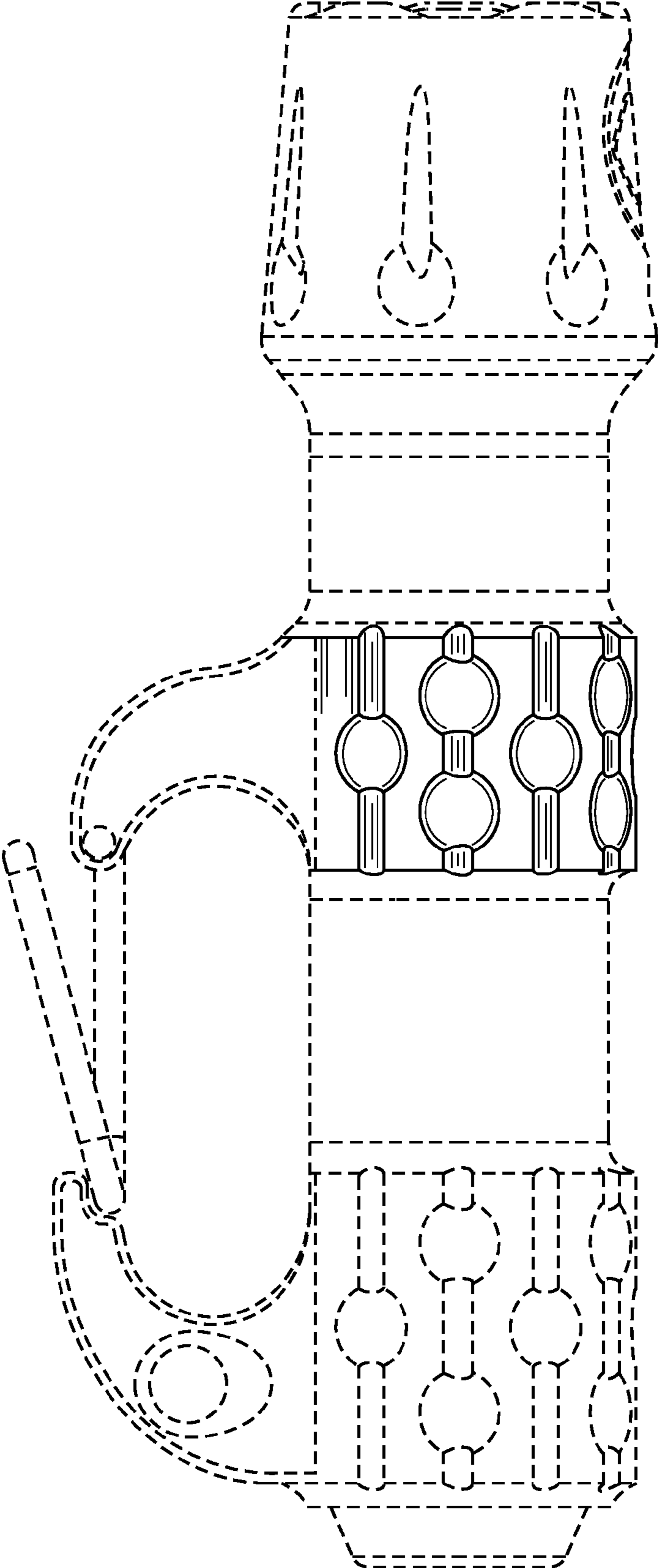


FIG. 6

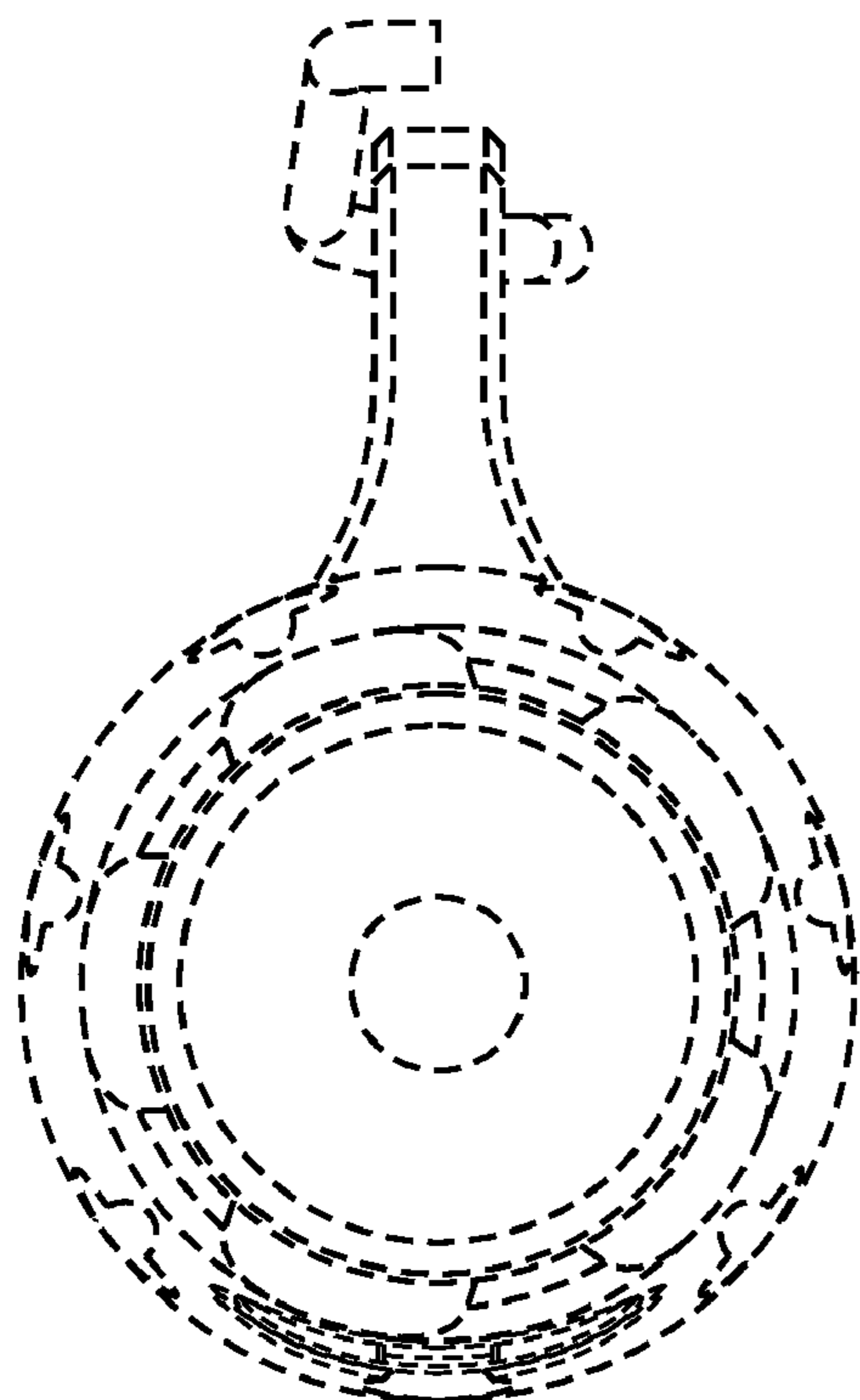


FIG. 7

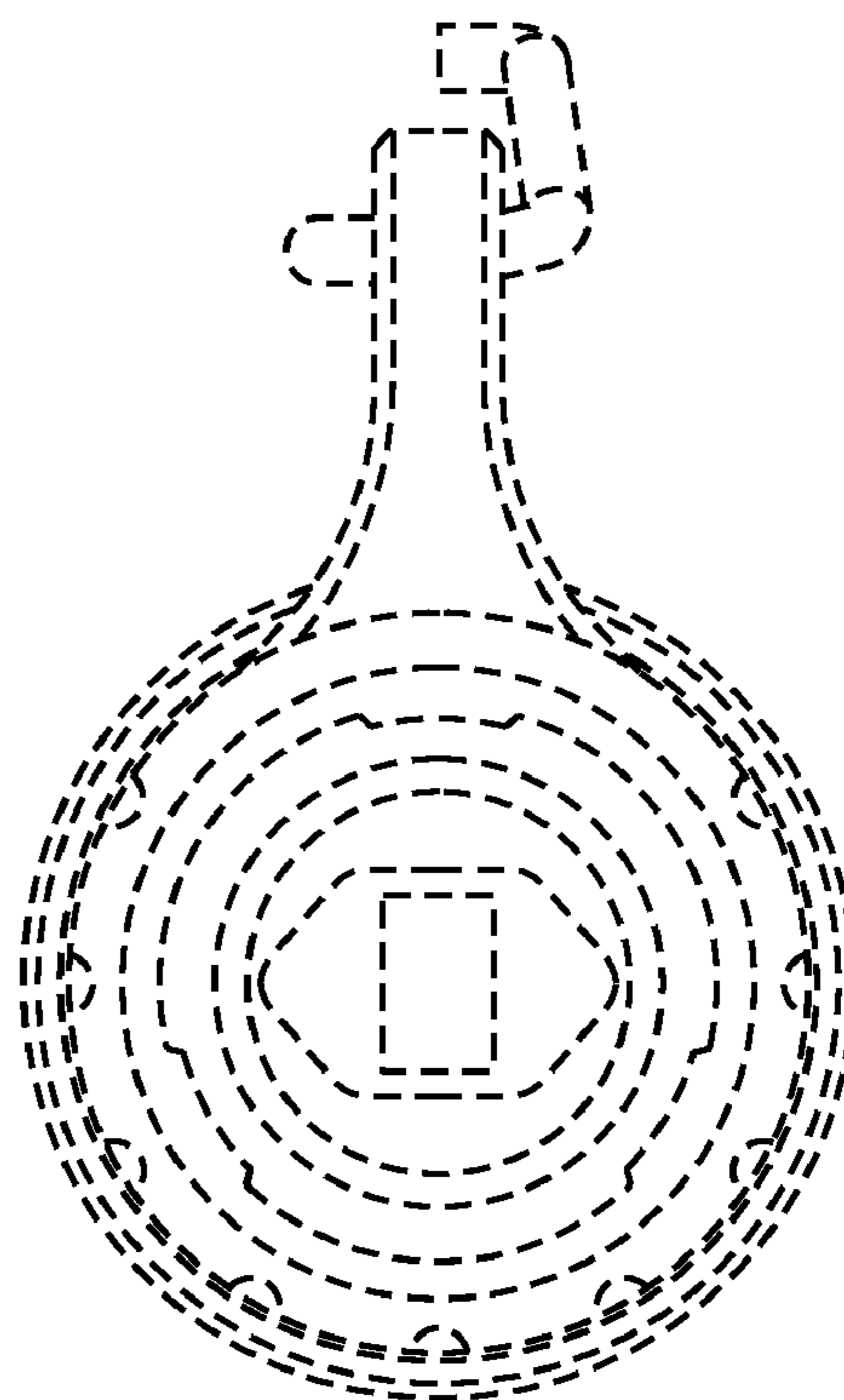


FIG. 8