



US00D635702S

(12) **United States Design Patent**  
**Hesse et al.**

(10) **Patent No.:** **US D635,702 S**  
(45) **Date of Patent:** **\*\* Apr. 5, 2011**

(54) **HEADLAMP**

(75) Inventors: **Bryan L. Hesse**, Guilford, CT (US);  
**James Sener**, Glastonbury, CT (US);  
**Christopher D. Hageman**, South  
Glastonbury, CT (US)

(73) Assignee: **The Gillette Company**, Boston, MA  
(US)

(\*\*) Term: **14 Years**

(21) Appl. No.: **29/314,638**

(22) Filed: **Apr. 15, 2009**

(51) **LOC (9) Cl.** ..... **26-02**

(52) **U.S. Cl.** ..... **D26/39**

(58) **Field of Classification Search** ..... D26/37,  
D26/38, 40-50; 362/157, 158, 183-199,  
362/202-208

See application file for complete search history.

(56) **References Cited**

U.S. PATENT DOCUMENTS

D425,228 S *	5/2000	Kibler .....	D26/46
D433,171 S	10/2000	Petterson et al.	
D449,395 S	10/2001	Dalton et al.	
D486,935 S	2/2004	Shiu	
D493,008 S	7/2004	Brent	
D496,479 S *	9/2004	Ashfield .....	D26/37
D511,586 S *	11/2005	Yeh .....	D26/37
D520,160 S *	5/2006	Lee .....	D26/37
D528,676 S *	9/2006	Leslie et al. ....	D26/28
D529,211 S *	9/2006	Lee .....	D26/37
D530,031 S *	10/2006	Kung .....	D26/37
D544,616 S *	6/2007	Chen .....	D26/37
D546,990 S *	7/2007	Wang et al. ....	D26/37
D561,366 S *	2/2008	Wang .....	D26/37
D574,984 S	8/2008	Hesse et al.	
D579,594 S	10/2008	Hesse et al.	
D600,841 S *	9/2009	Kung .....	D26/46

OTHER PUBLICATIONS

Baker et al., U.S. Appl. No. 29/335,400, filed Apr. 15, 2009, entitled  
"Portion of a Flashlight".

Baker et al., U.S. Appl. No. 29/335,396, filed Apr. 15, 2009, entitled  
"Portion of a Flashlight".

Baker et al., U.S. Appl. No. 29/335,393, filed Apr. 15, 2009, entitled  
"Portion of a Flashlight".

Baker et al., U.S. Appl. No. 29/314,643, filed Apr. 15, 2009, entitled  
"Portion of a Flashlight".

(Continued)

*Primary Examiner* — Ian Simmons

*Assistant Examiner* — Carissa C Fitts

(74) *Attorney, Agent, or Firm* — Fish & Richardson P.C.

(57) **CLAIM**

The ornamental design for a headlamp, as shown and  
described.

**DESCRIPTION**

FIG. 1 is a perspective view of the headlamp as seen from the  
front, top, right side;

FIG. 2 is a top plan view of the headlamp of FIG. 1;

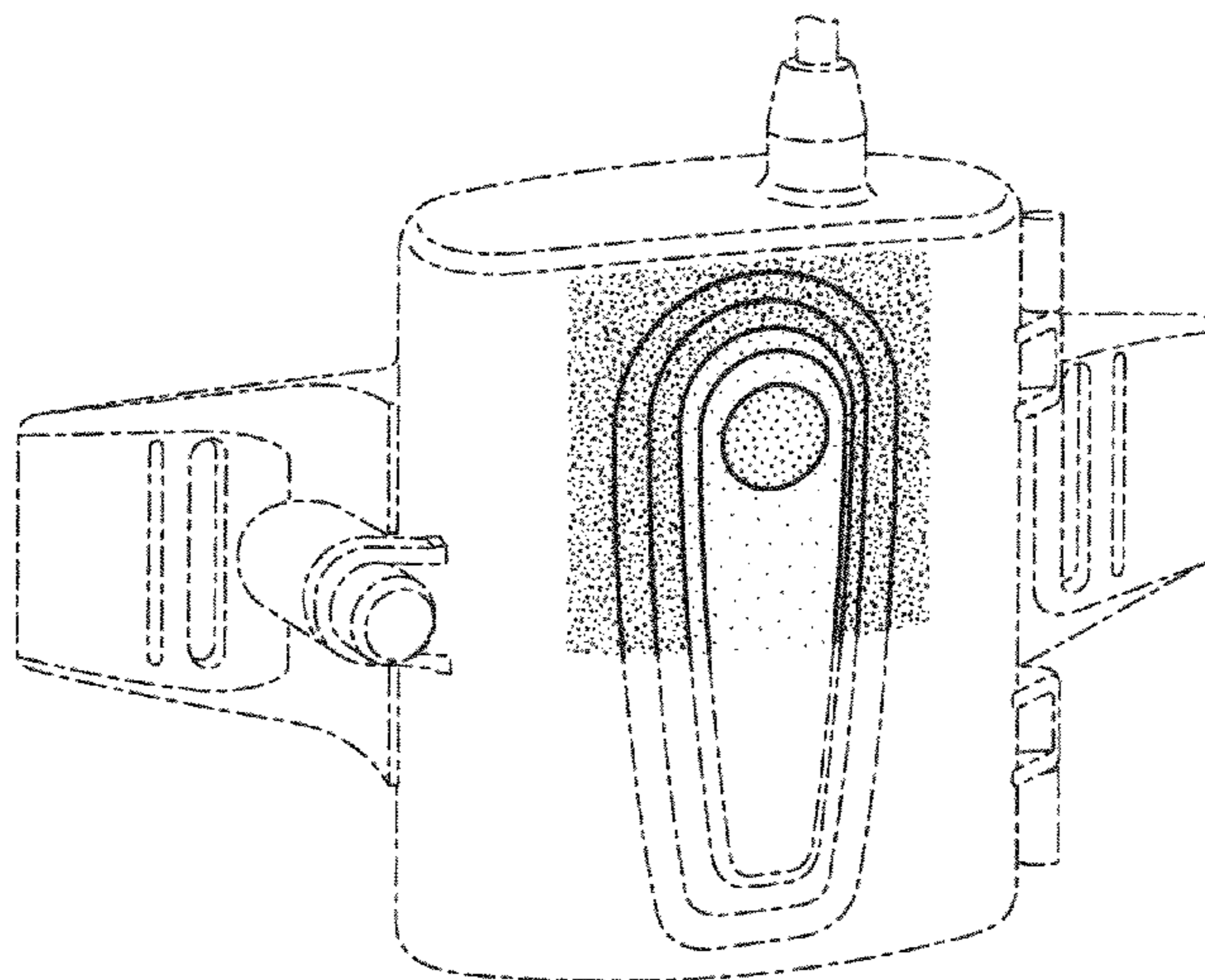
FIG. 3 is a front plan view of the headlamp of FIG. 1; and,

FIG. 4. is a right side elevational view of the headlamp of FIG.  
1, the other side elevational view being a mirror image  
thereof.

Dense stippling, stippling of intermediate density, and sparse  
stippling are used in FIGS. 1-4. The dense stippling repre-  
sents a surface having a color that contrasts with the color of  
the surface including the sparse stippling. The surface includ-  
ing the sparse stippling has a color that also contrasts with the  
surface that includes the stippling of intermediate density.  
The surface including the stippling of intermediate density  
can have the same color or a different color from the surface  
that includes the dense stippling.

The surfaces including stippling define the scope of the  
claimed design. The uniform broken line defines the perim-  
eter of the surfaces including stippling and forms no part of  
the claimed design. The non-uniform broken lines showing  
the remainder of the headlamp are for illustrative purposes  
only and form no part of the claimed design.

**1 Claim, 3 Drawing Sheets**



OTHER PUBLICATIONS

Hesse et al., U.S. Appl. No. 29/314,639, filed Apr. 15, 2009, entitled "Portion of a Headlamp".

Hesse et al., U.S. Appl. No. 29/314,638, filed Apr. 15, 2009, entitled "Portion of a Headlamp".

Baker et al., U.S. Appl. No. 29/314,636, filed Apr. 15, 2009, entitled "Portion of a Flashlight".

Baker et al., U.S. Appl. No. 29/314,630, filed Apr. 15, 2009, entitled "Portion of a Flashlight".

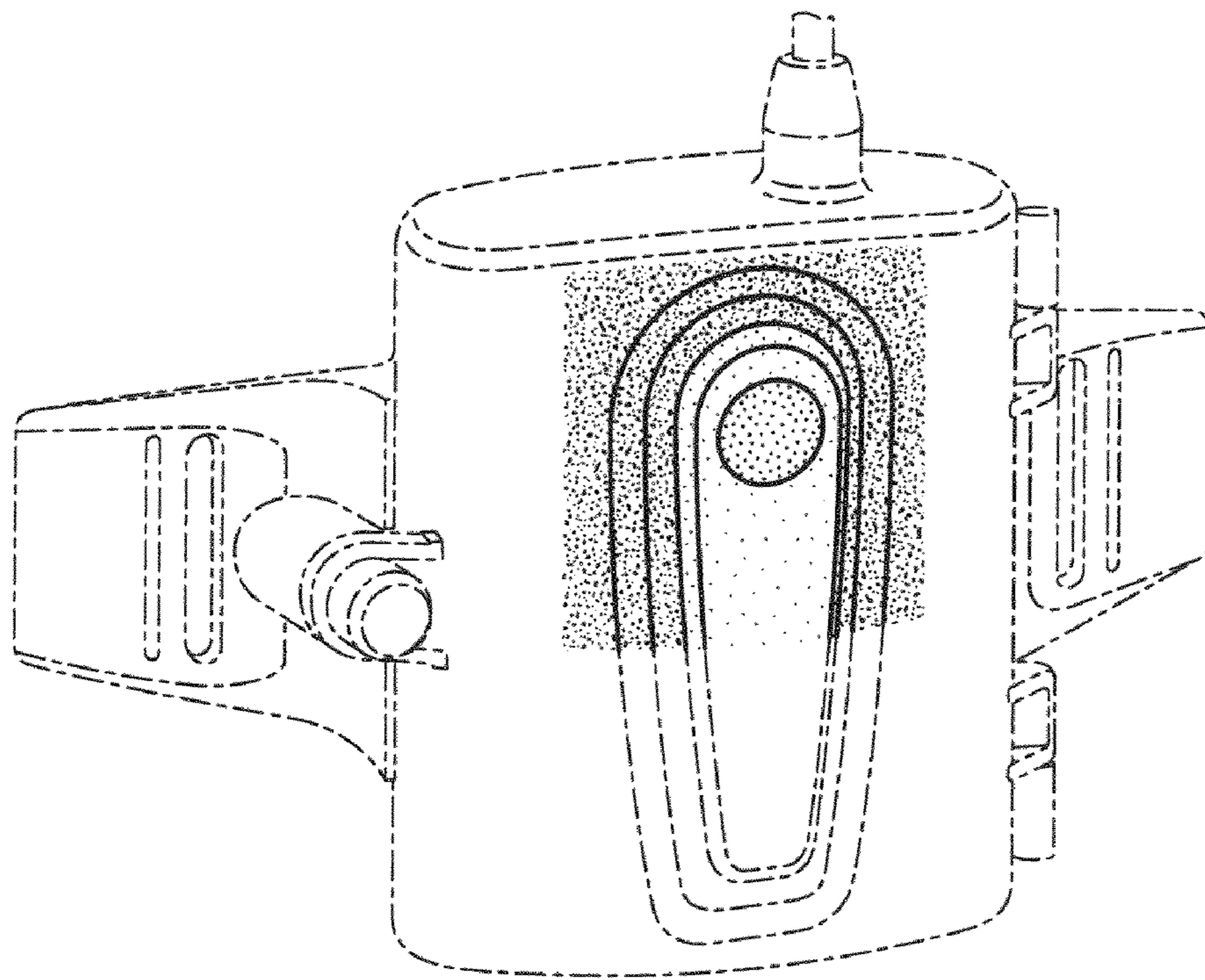
"All-Purpose Flashlight", Item # 4930, Crestline Custom Imprinted Products, Summer 2008 Catalog, received May 19, 2008, top right corner of p. 27, (catalog cover page included).

Hesse et al., U.S. Appl. No. 29/296,218, filed Oct. 16, 2007, entitled "Flashlight".

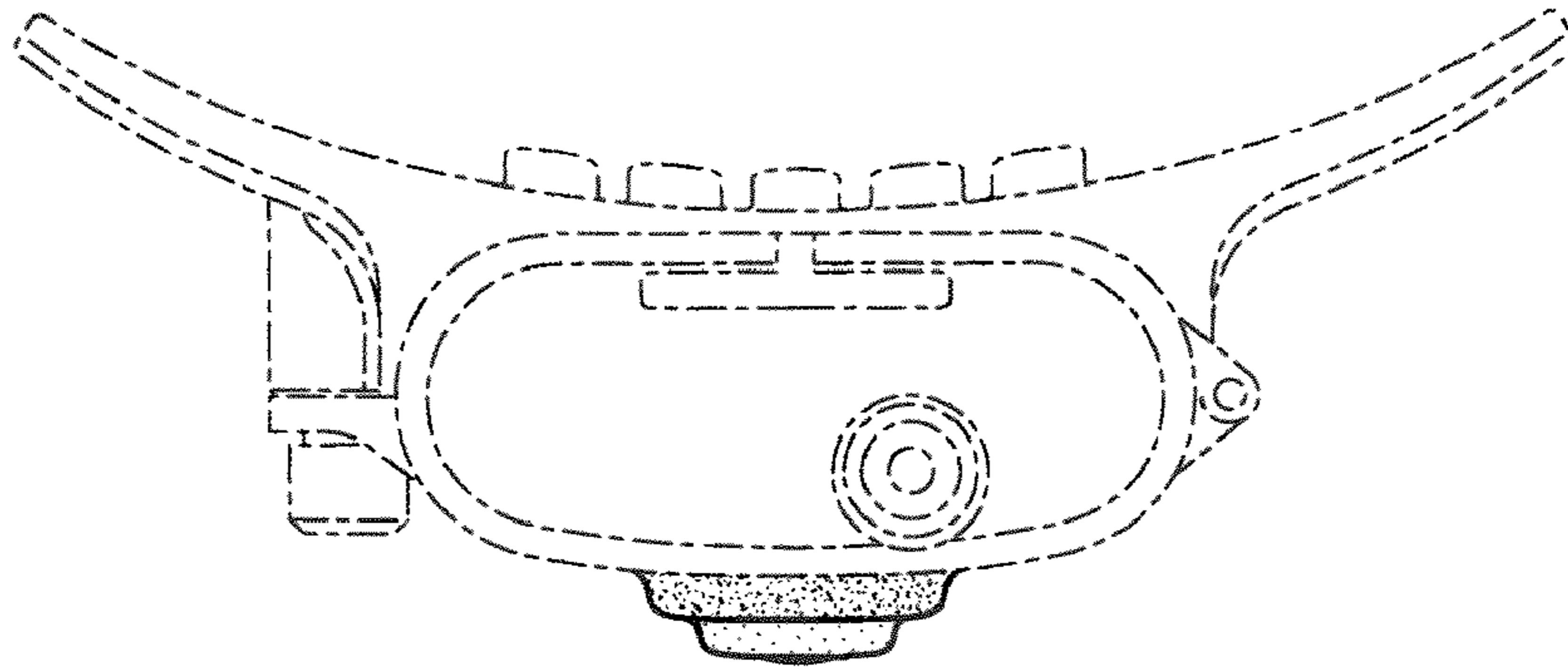
Hesse et al., U.S. Appl. No. 29/292,537, filed Oct. 16, 2007, entitled "Flashlight".

\* cited by examiner

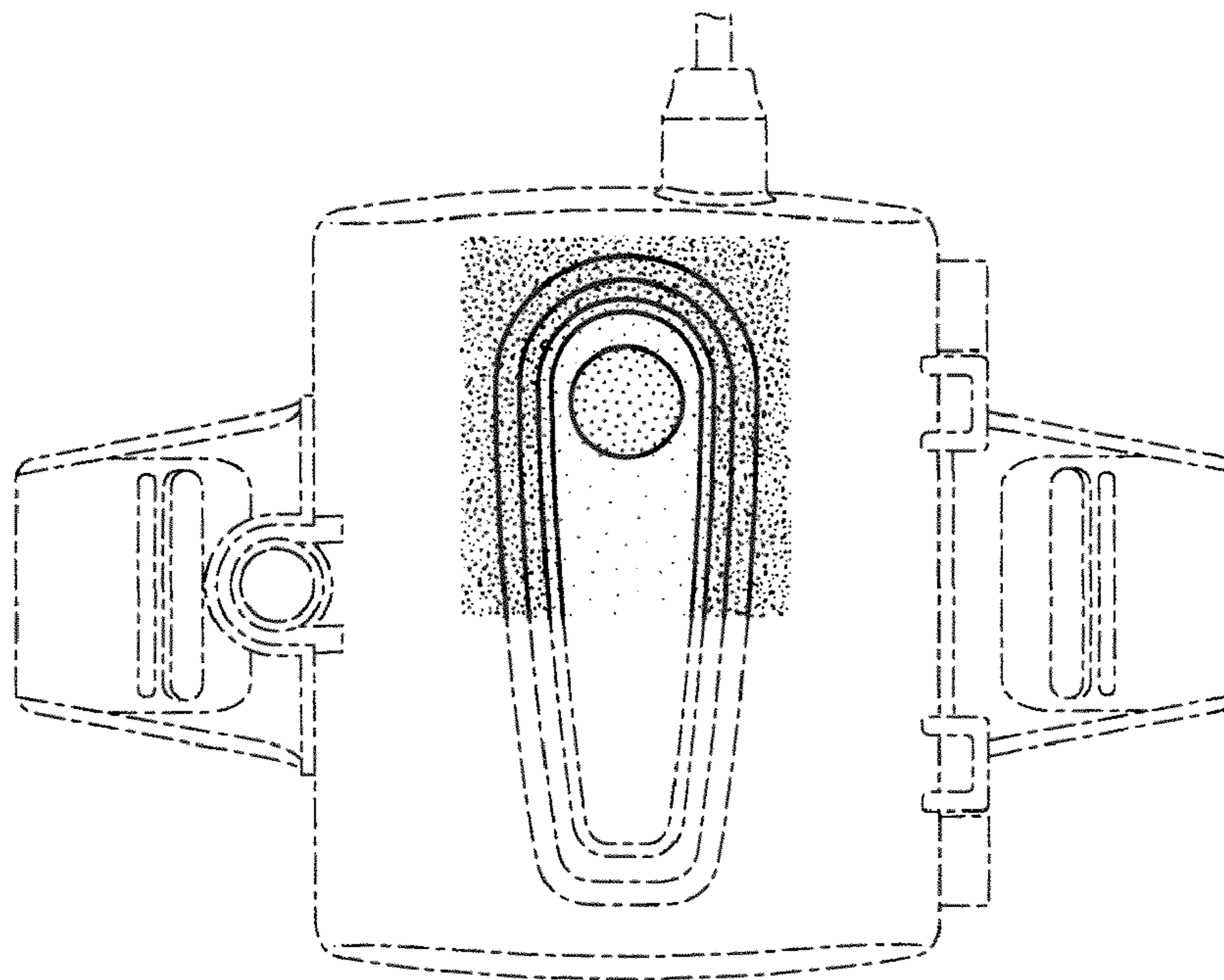
**FIG. 1**



**FIG. 2**



**FIG. 3**



**FIG. 4**

