



US00D635701S

(12) **United States Design Patent**  
**Chang et al.**

(10) **Patent No.:** **US D635,701 S**

(45) **Date of Patent:** **\*\* Apr. 5, 2011**

(54) **HEADLAMP FOR AUTOMOBILES**

(56) **References Cited**

(75) Inventors: **Hyung Uk Chang**, Gyeonggi-Do (KR);  
**Jae Kun Lee**, Gyeonggi-Do (KR); **Se Jin Oh**, Gyeonggi-Do (KR)

U.S. PATENT DOCUMENTS

D550,383	S	*	9/2007	Asai	.....	D26/28
D556,349	S	*	11/2007	Golden et al.	.....	D26/28
D560,291	S	*	1/2008	Koyama	.....	D26/28
D561,358	S	*	2/2008	Tachibana	.....	D26/28

\* cited by examiner

(73) Assignee: **Kia Motors Corporation**, Seoul (KR)

*Primary Examiner* — Marcus A Jackson

(74) *Attorney, Agent, or Firm* — Edwards Angell Palmer & Dodge LLP; Peter F. Corless

(\*\*) Term: **14 Years**

(57) **CLAIM**

The ornamental design for headlamp for automobiles, as shown and described.

(21) Appl. No.: **29/368,574**

**DESCRIPTION**

(22) Filed: **Aug. 25, 2010**

FIG. 1 is a front view of the headlamp for automobiles according to the present invention.

FIG. 2 is a rear view of the headlamp for automobiles of FIG. 1.

(30) **Foreign Application Priority Data**

Feb. 26, 2010 (KR) ..... 30-2010-0008608

FIG. 3 is a top view of the headlamp for automobiles of FIG. 2.

FIG. 4 is a bottom view of the headlamp for automobiles of FIG. 3.

(51) **LOC (9) Cl.** ..... **26-06**

FIG. 5 is a right side view of the headlamp for automobiles of FIG. 4.

(52) **U.S. Cl.** ..... **D26/28**

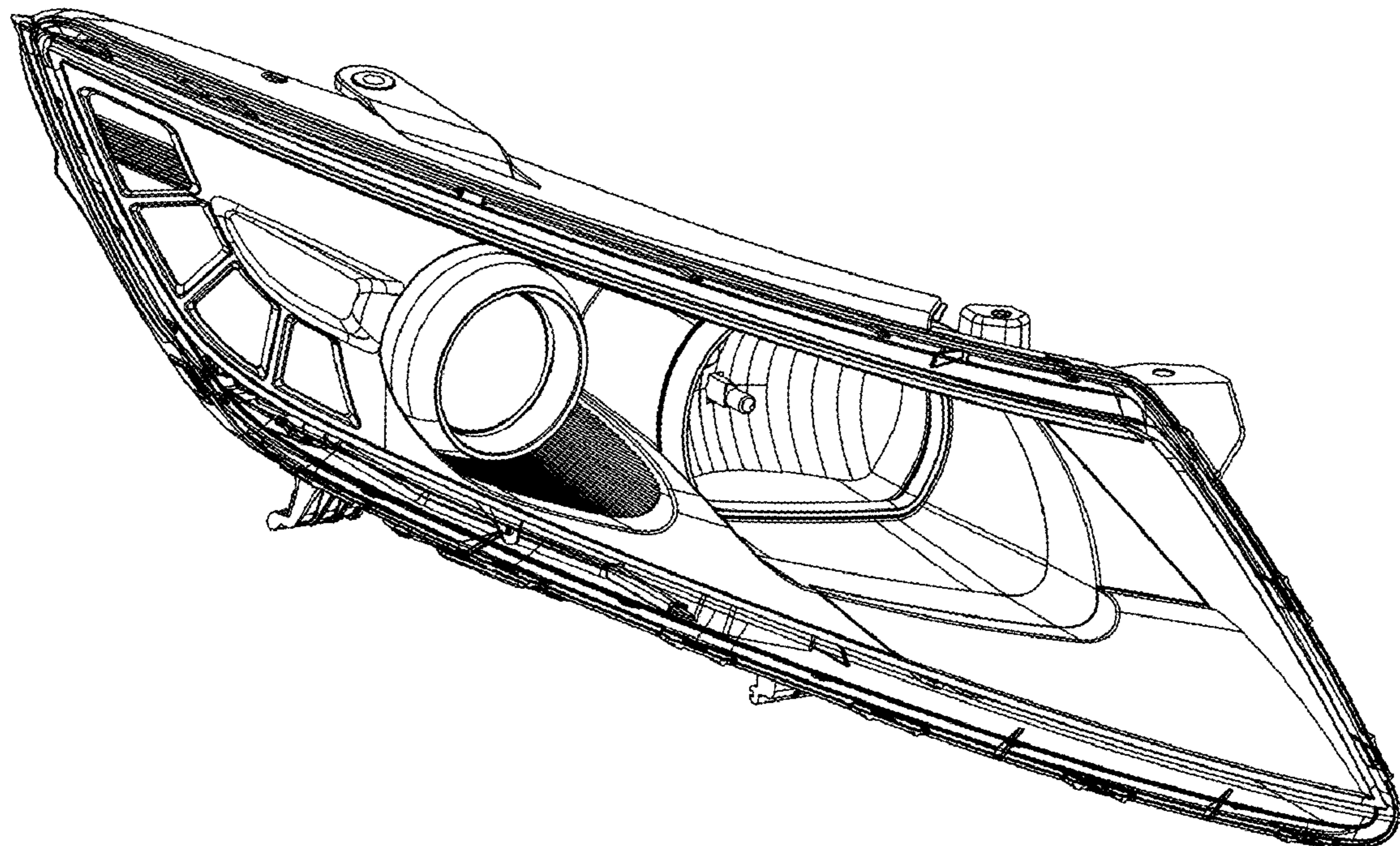
FIG. 6 is a left side view of the headlamp for automobiles of FIG. 5; and,

(58) **Field of Classification Search** ..... D26/28-36;  
362/459-468, 475-478, 485-487

FIG. 7 is a perspective view of the headlamp for automobiles of FIG. 6.

See application file for complete search history.

**1 Claim, 7 Drawing Sheets**



**FIG. 1**

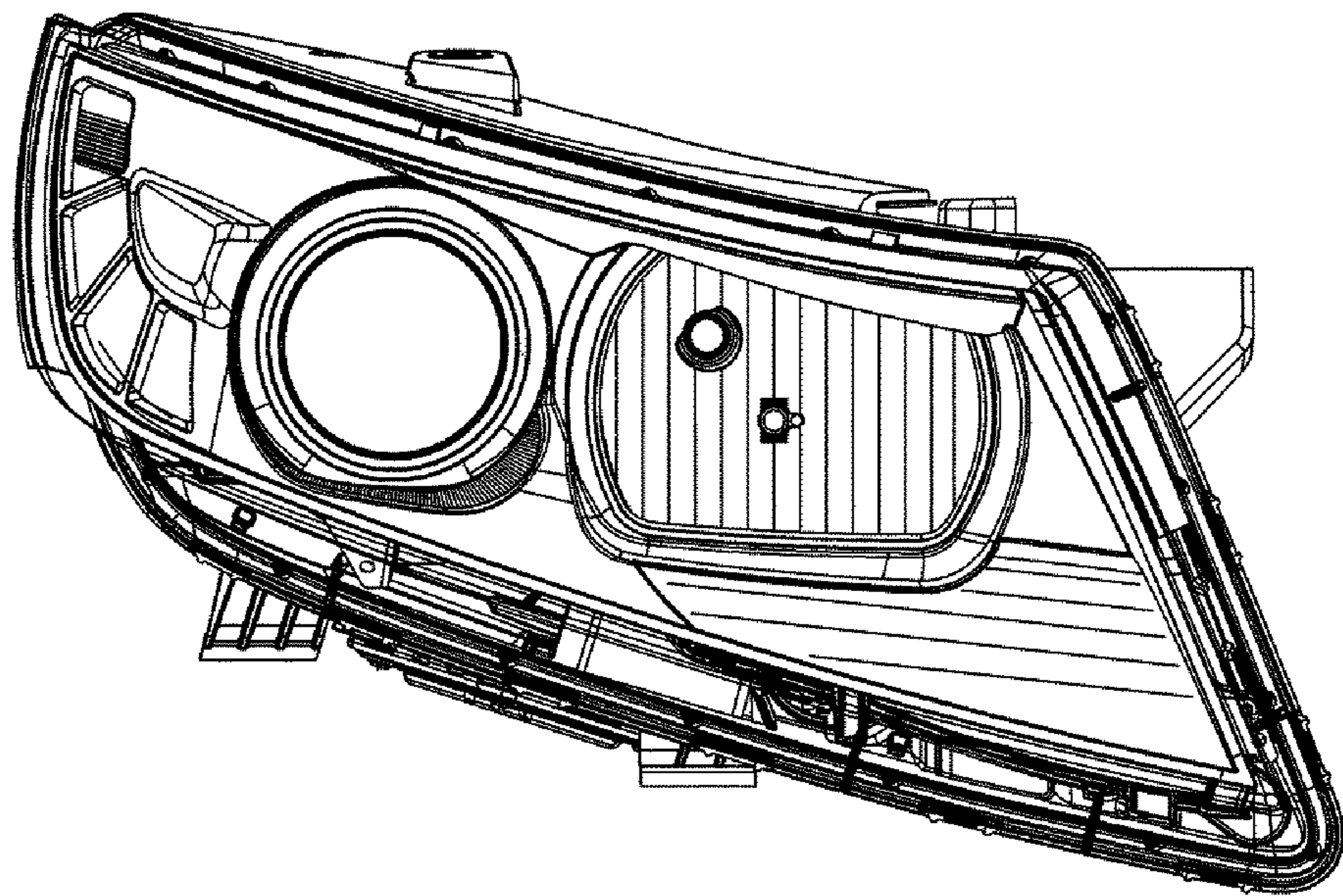
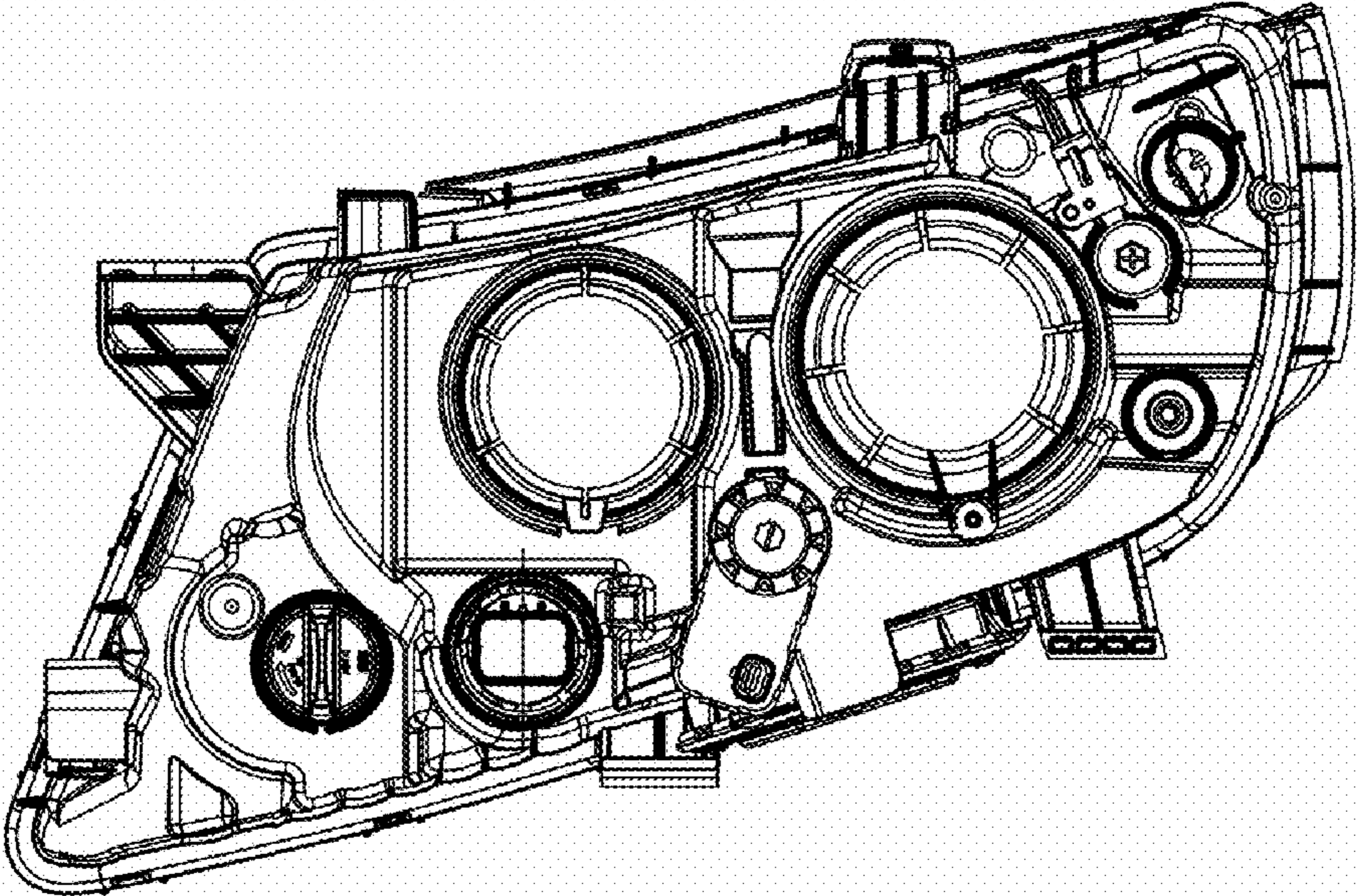
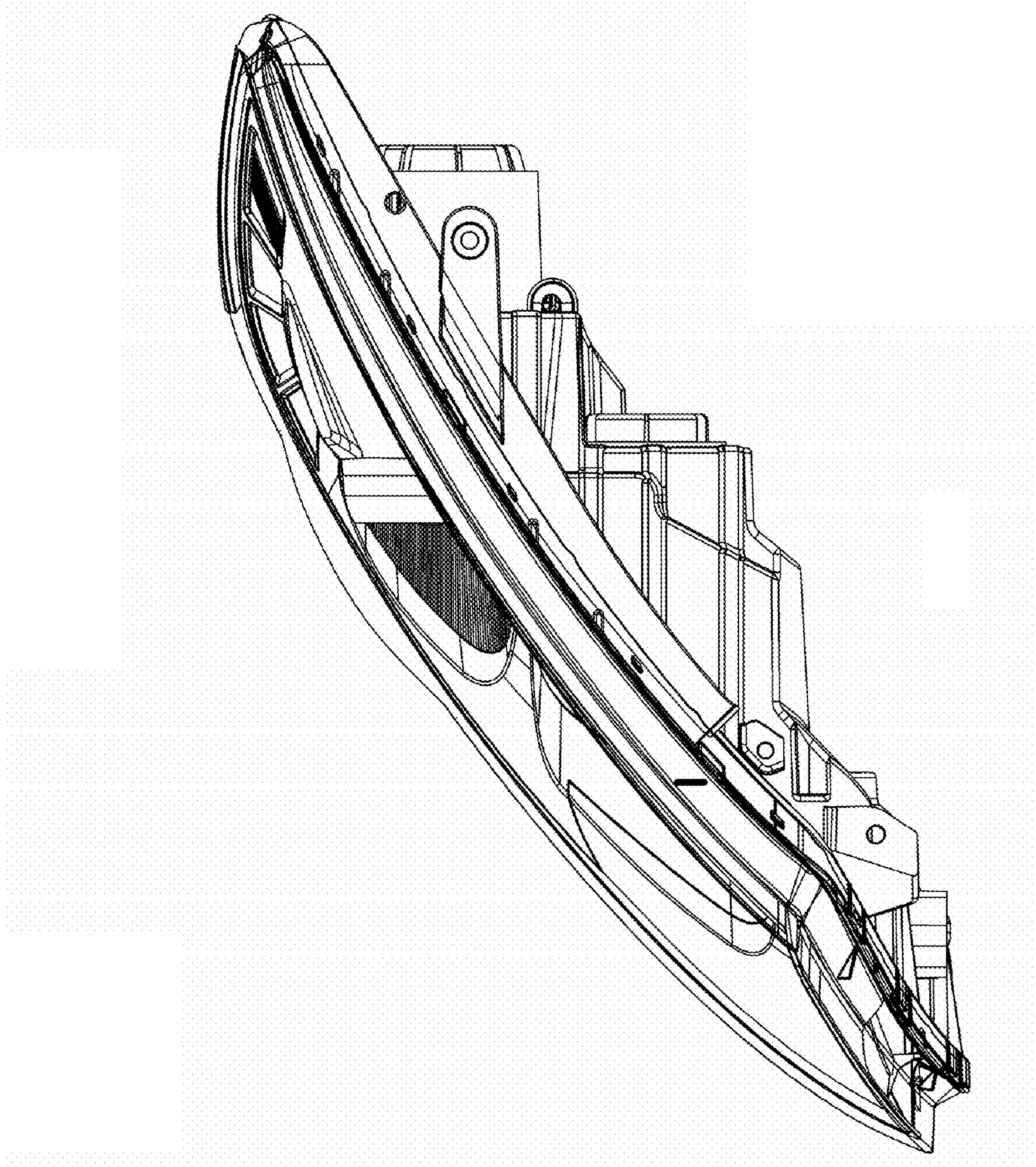


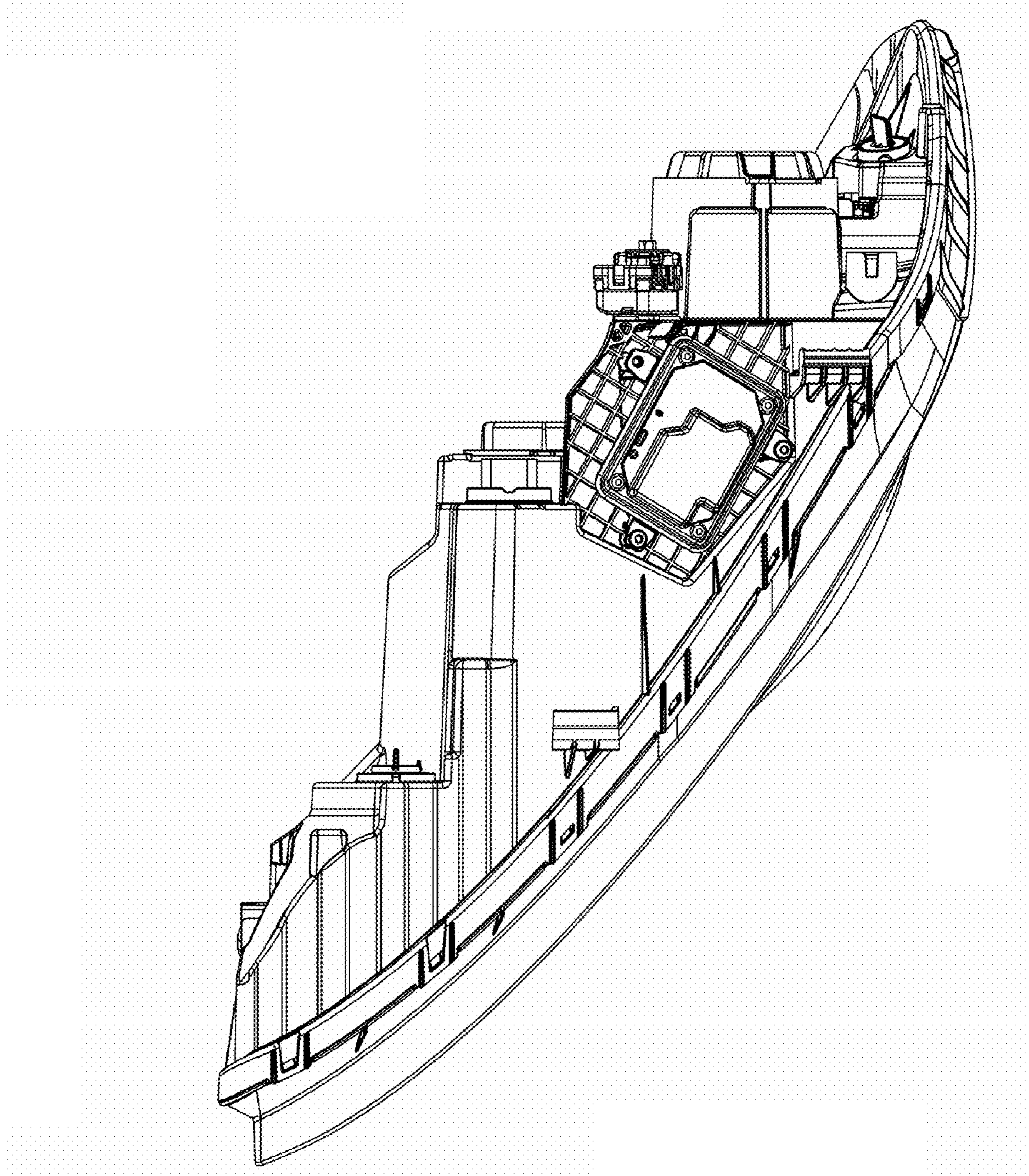
FIG. 2



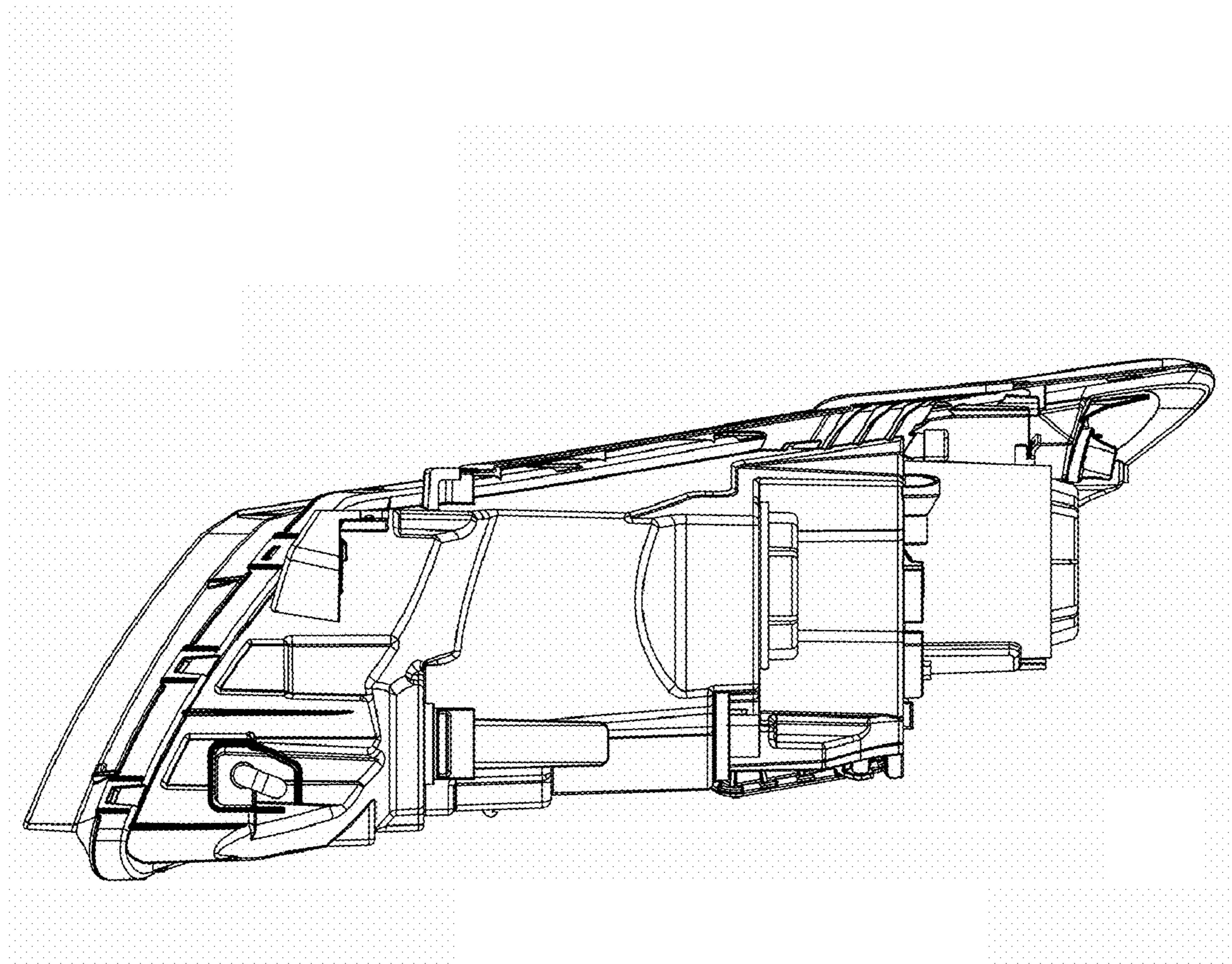
**FIG. 3**



**FIG. 4**



**FIG. 5**



**FIG. 6**

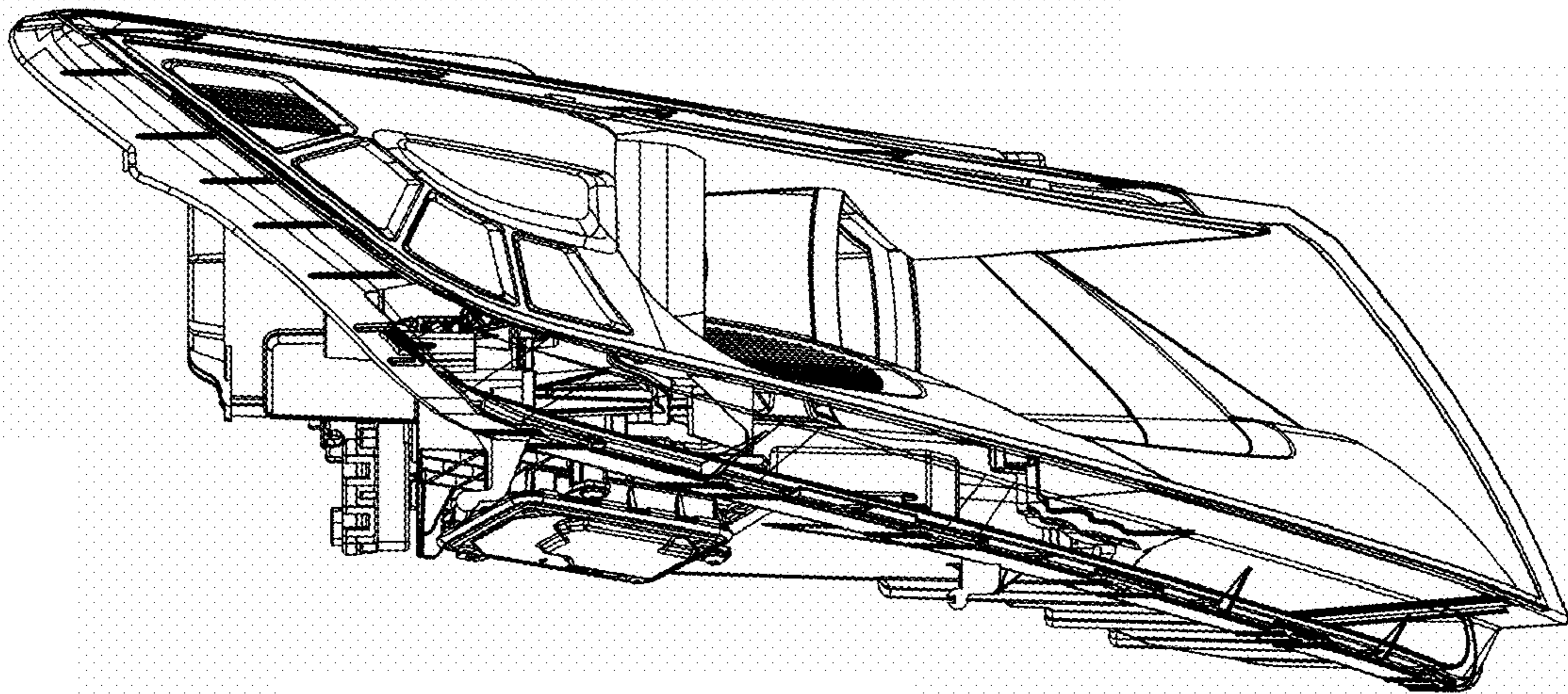


FIG. 7

