



US00D635698S

(12) **United States Design Patent**
Jeong et al.

(10) **Patent No.:** **US D635,698 S**

(45) **Date of Patent:** **** Apr. 5, 2011**

(54) **REAR COMBINATION LAMP FOR AUTOMOBILES**

(75) Inventors: **Byeong-Ho Jeong**, Gyeonggi-do (KR);
Yun-Soo Bae, Gyeonggi-do (KR)

(73) Assignee: **Hyundai Motor Company**, Seoul (KR)

(**) Term: **14 Years**

(21) Appl. No.: **29/362,599**

(22) Filed: **May 27, 2010**

(30) **Foreign Application Priority Data**

Mar. 29, 2010 (KR) 30-2010-0013550

(51) **LOC (9) Cl.** **26-06**

(52) **U.S. Cl.** **D26/28**

(58) **Field of Classification Search** D26/28-36;
362/459-468, 475-478, 485-487
See application file for complete search history.

(56) **References Cited**

U.S. PATENT DOCUMENTS

D526,427 S * 8/2006 Morioka D26/28
D528,232 S * 9/2006 Nakahara D26/28
D528,680 S * 9/2006 Oda D26/28
D528,684 S * 9/2006 Kato et al. D26/28

D548,377 S * 8/2007 Markefka D26/28
D560,292 S * 1/2008 Sato D26/28
D570,015 S * 5/2008 Hsu D26/28

* cited by examiner

Primary Examiner — Marcus A Jackson

(74) *Attorney, Agent, or Firm* — Edwards Angell Palmer & Dodge LLP; Peter F. Corless; Kongsik Kim

(57) **CLAIM**

The ornamental design for a rear combination lamp for automobiles, as shown and described.

DESCRIPTION

FIG. 1 is a perspective view of a rear combination lamp for automobiles according to the present invention.

FIG. 2 is a front view of the rear combination lamp for automobiles of FIG. 1.

FIG. 3 is a rear view of the rear combination lamp for automobiles of FIG. 1.

FIG. 4 is a left side view of the rear combination lamp for automobiles of FIG. 1.

FIG. 5 is a right side view of the rear combination lamp for automobiles of FIG. 1.

FIG. 6 is a top view of the rear combination lamp for automobiles of FIG. 1; and,

FIG. 7 is a bottom view of the rear combination lamp for automobiles of FIG. 1.

1 Claim, 7 Drawing Sheets

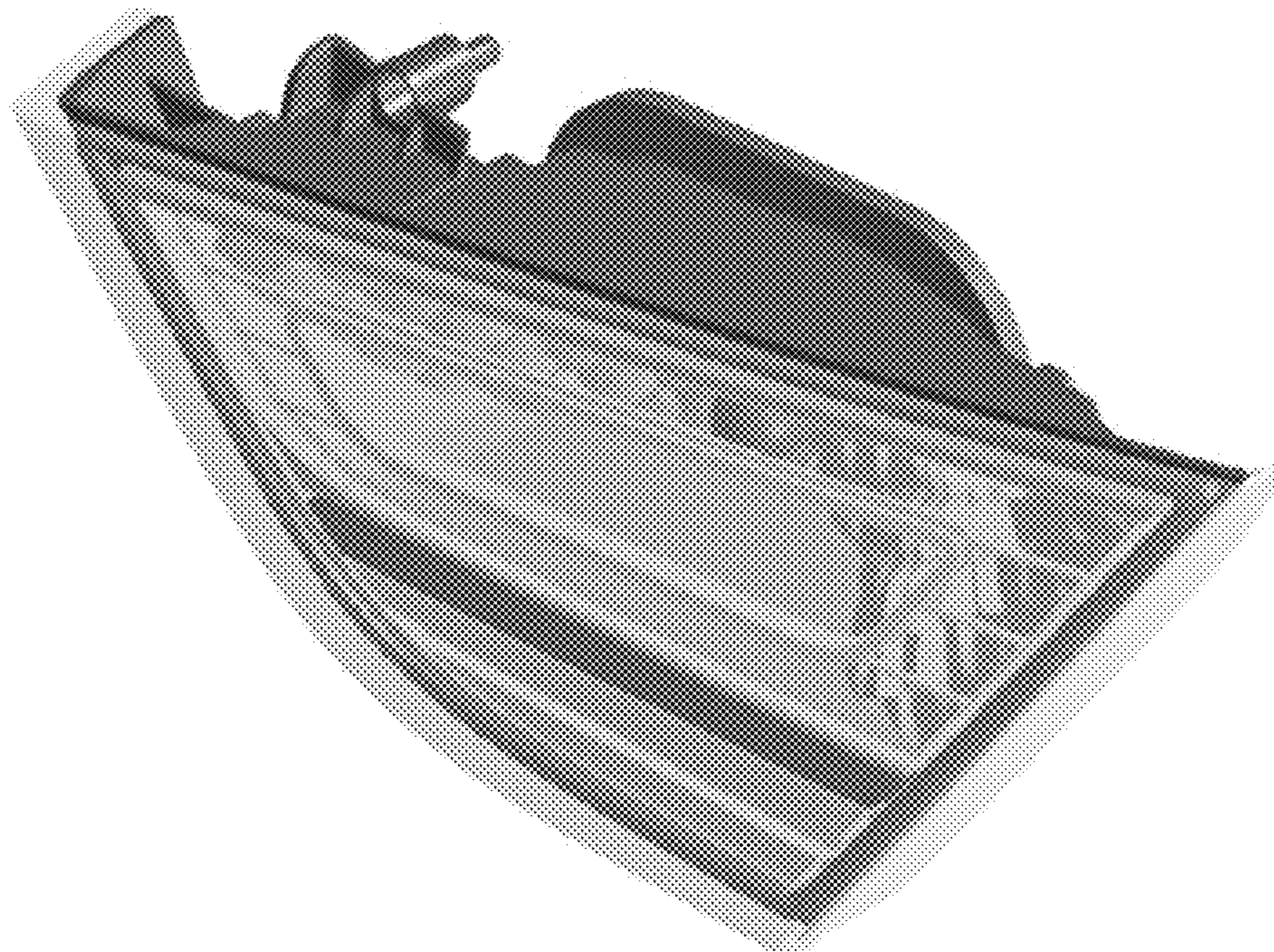


FIG. 1

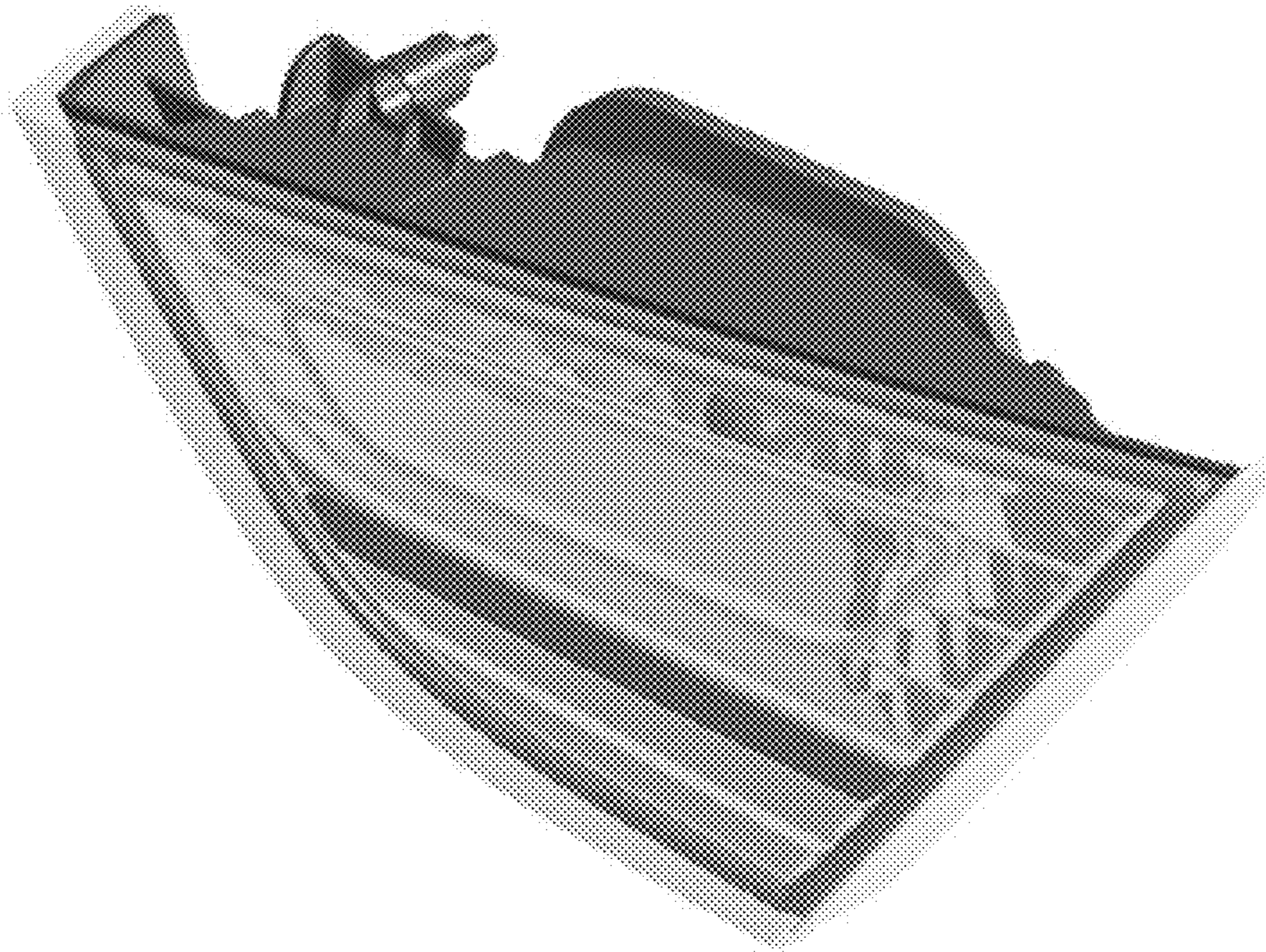


FIG. 2

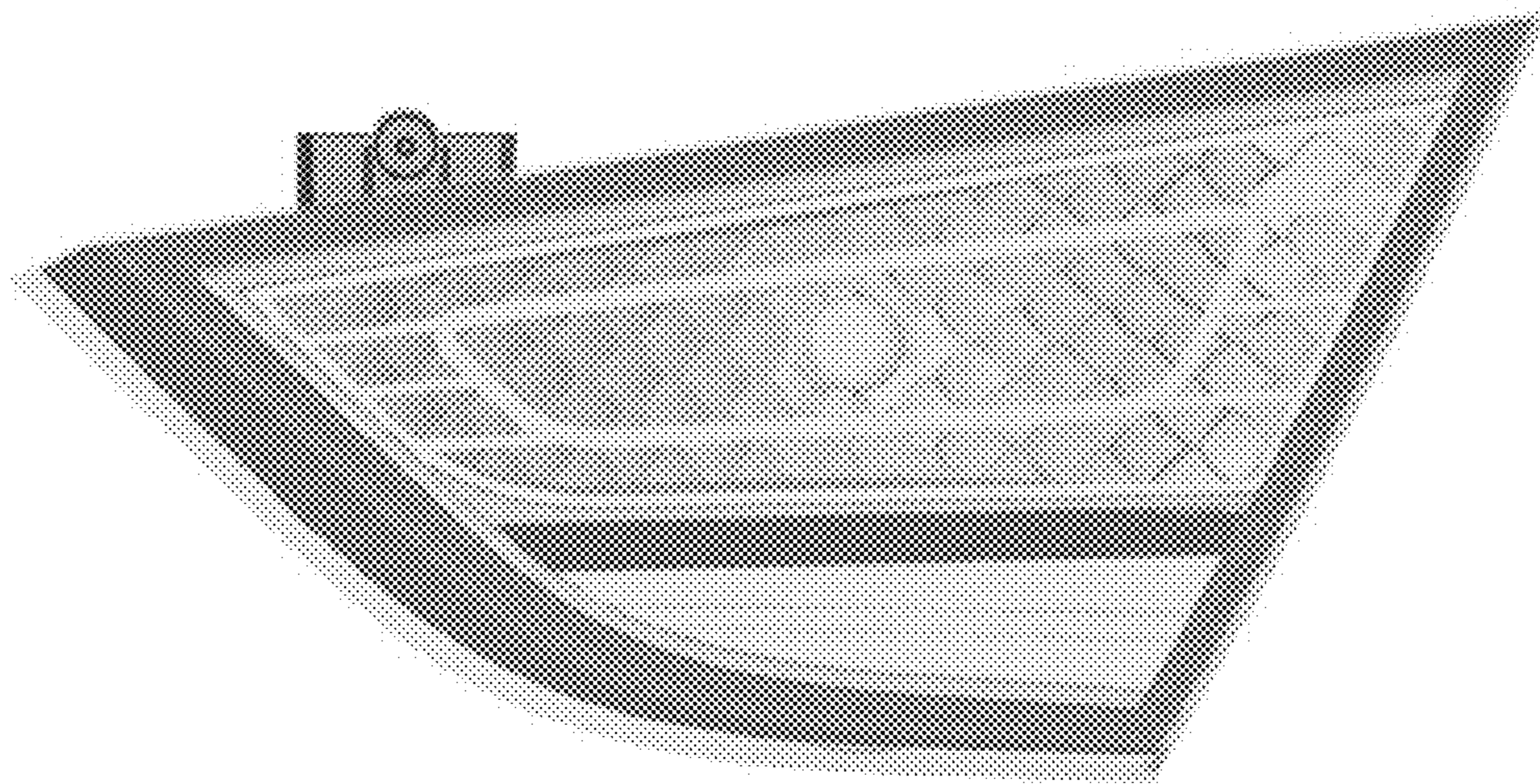


FIG. 3

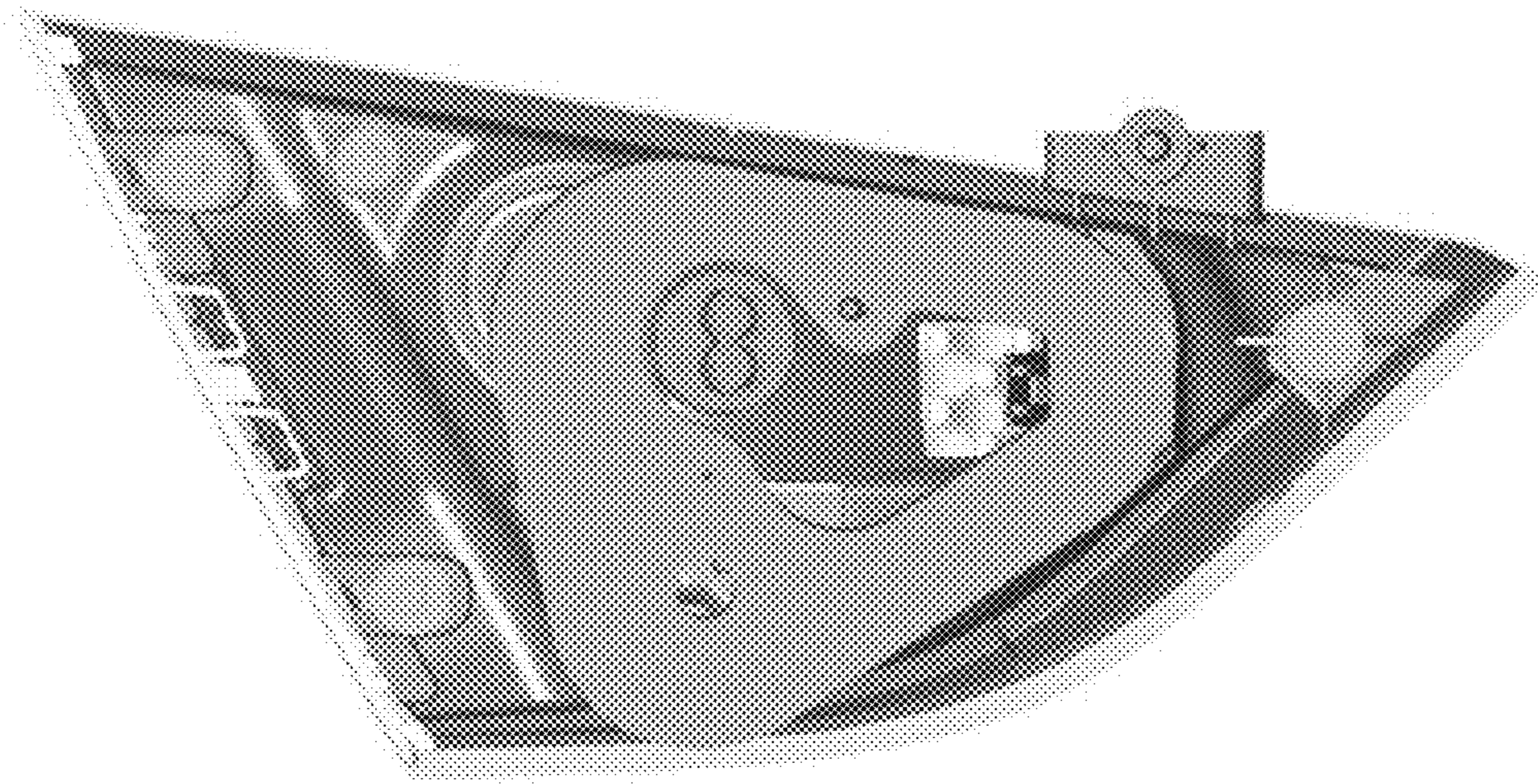


FIG. 4

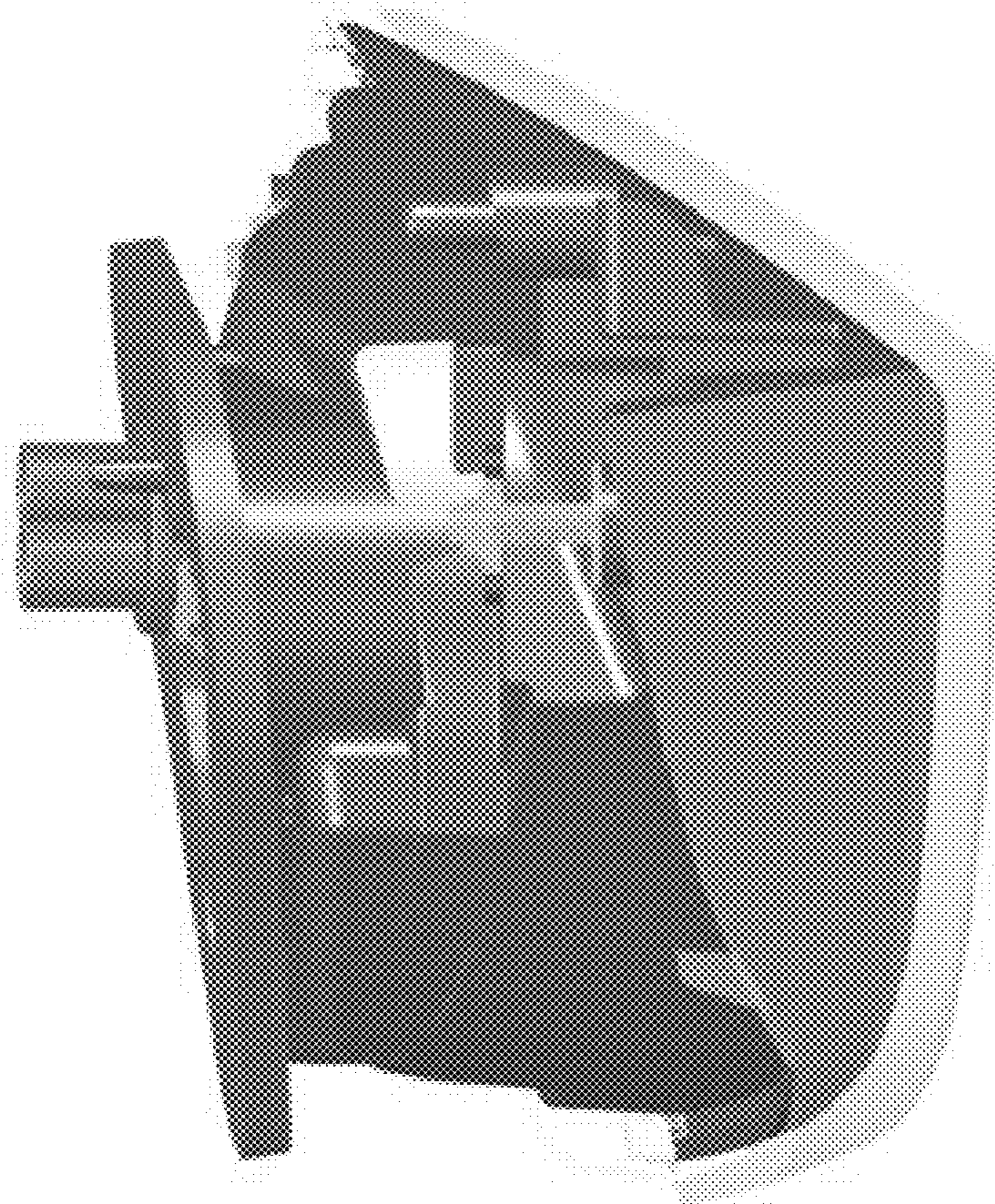


FIG. 5

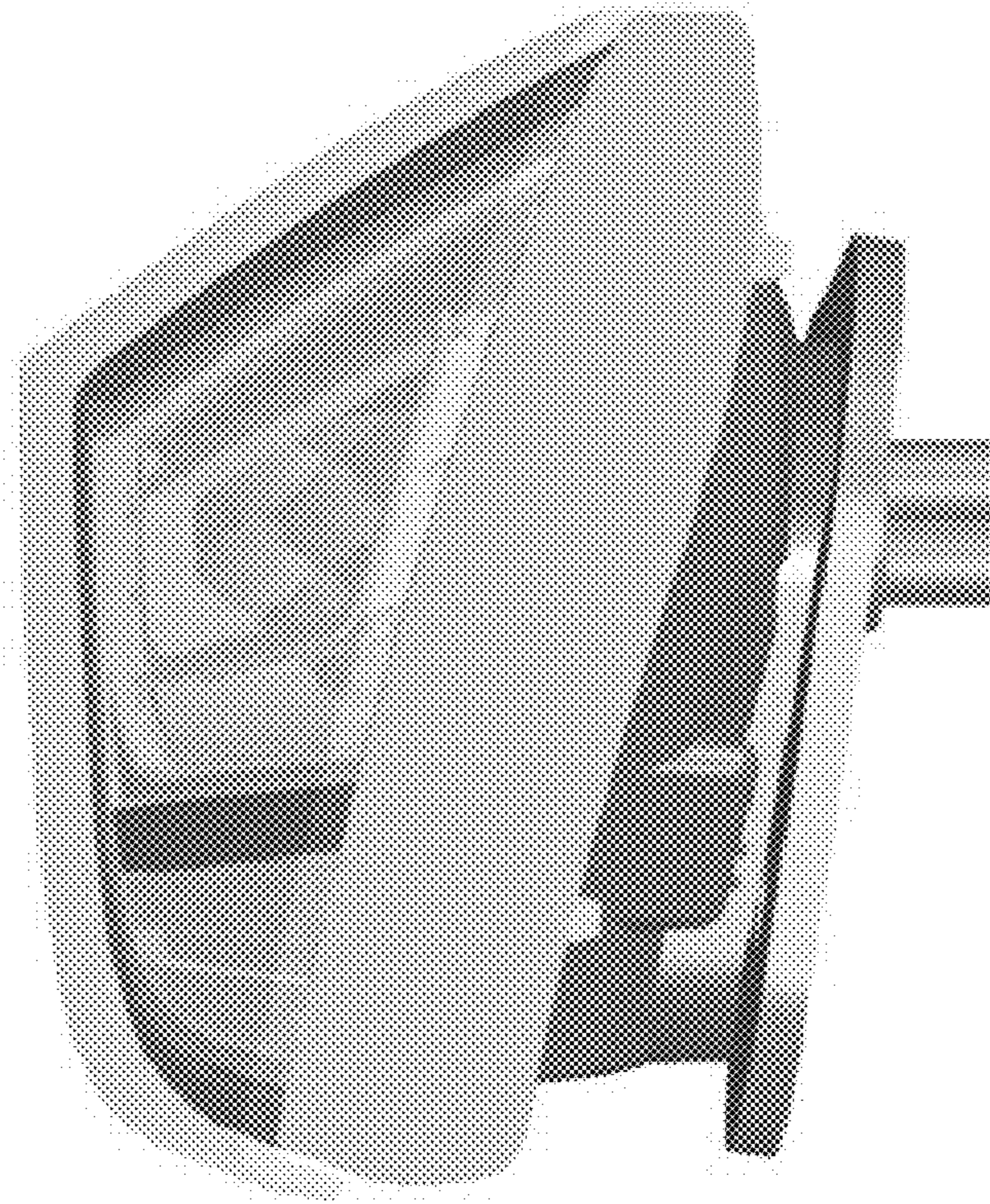


FIG. 6

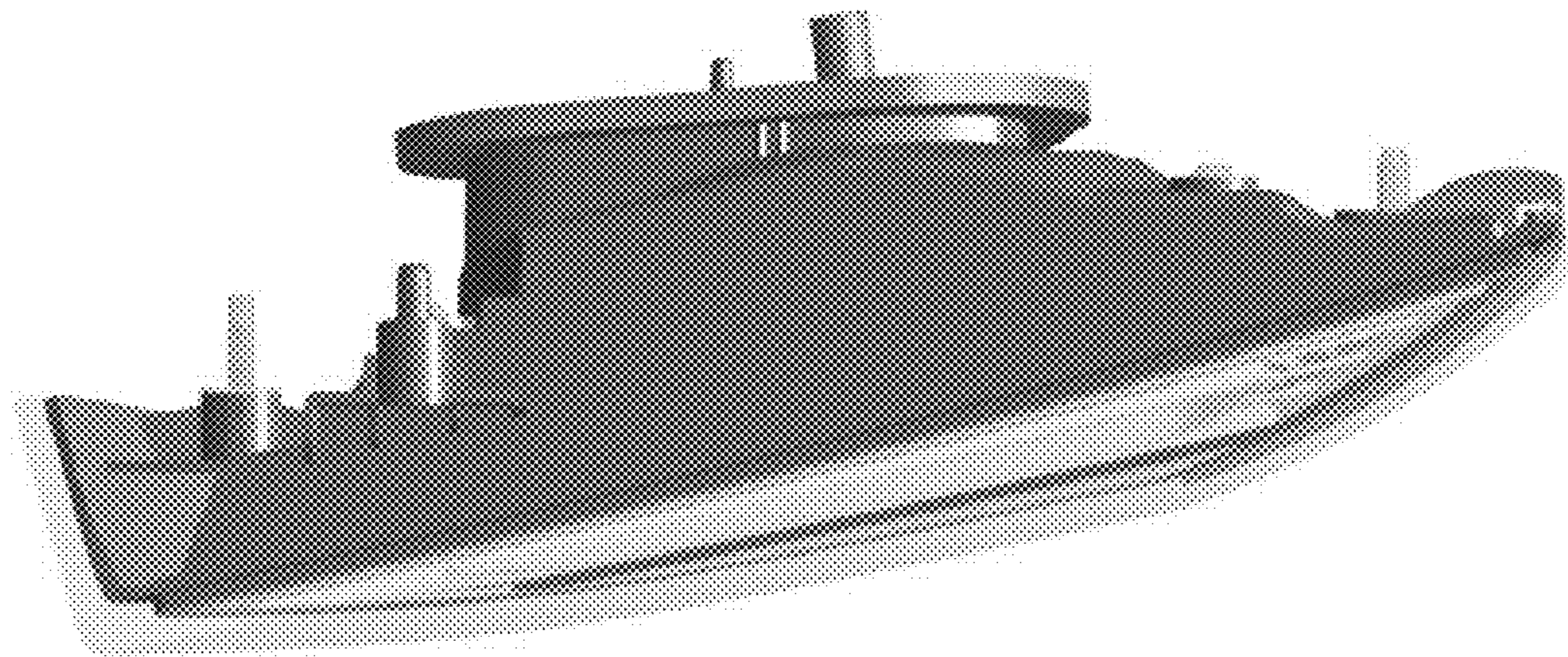


FIG. 7

