



US00D635695S

(12) **United States Design Patent**  
**Chang et al.**

(10) **Patent No.:** **US D635,695 S**

(45) **Date of Patent:** **\*\* Apr. 5, 2011**

(54) **REAR COMBINATION LAMP FOR  
AUTOMOBILES**

(75) Inventors: **Hyung Uk Chang**, Hwaseong-si (KR);  
**Sung No Kim**, Hwaseong-si (KR)

(73) Assignee: **Hyundai Motor Company**, Seoul (KR)

(\*\*) Term: **14 Years**

(21) Appl. No.: **29/357,970**

(22) Filed: **Mar. 19, 2010**

(30) **Foreign Application Priority Data**

Dec. 14, 2009 (KR) ..... 30-2009-0054834

(51) **LOC (9) Cl.** ..... **26-06**

(52) **U.S. Cl.** ..... **D26/28**

(58) **Field of Classification Search** ..... D26/28-36;  
362/459-468, 475-478, 485-487

See application file for complete search history.

(56) **References Cited**

**U.S. PATENT DOCUMENTS**

D526,427 S *	8/2006	Morioka	.....	D26/28
D528,232 S *	9/2006	Nakahara	.....	D26/28
D528,680 S *	9/2006	Oda	.....	D26/28
D528,684 S *	9/2006	Kato et al.	.....	D26/28
D542,445 S *	5/2007	Matsunami	.....	D26/28
D548,377 S *	8/2007	Markefka	.....	D26/28

D550,380 S *	9/2007	Lin	.....	D26/28
D560,292 S *	1/2008	Sato	.....	D26/28
D562,477 S *	2/2008	Hsu	.....	D26/28
D570,015 S *	5/2008	Hsu	.....	D26/28

\* cited by examiner

*Primary Examiner* — Marcus A Jackson

(74) *Attorney, Agent, or Firm* — Edwards Angell Palmer &  
Dodge LLP; Peter F. Corless

(57) **CLAIM**

The ornamental design for a rear combination lamp for auto-  
mobiles, as shown and described.

**DESCRIPTION**

FIG. 1 is a perspective view of a rear combination lamp for  
automobiles according to the present invention.

FIG. 2 is a front view of the rear combination lamp for  
automobiles of FIG. 1.

FIG. 3 is a rear view of the rear combination lamp for auto-  
mobiles of FIG. 1.

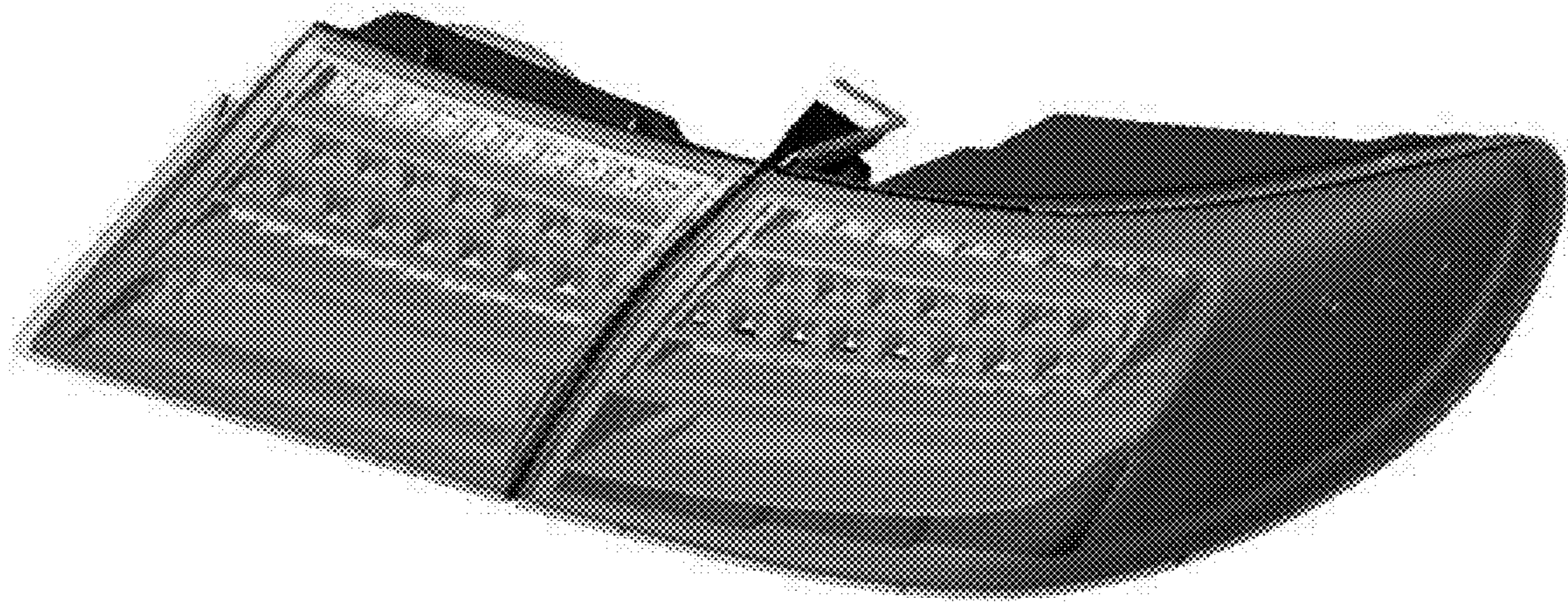
FIG. 4 is a left side view of the rear combination lamp for  
automobiles of FIG. 1.

FIG. 5 is a right side view of the rear combination lamp for  
automobiles of FIG. 1.

FIG. 6 is a top view of the rear combination lamp for auto-  
mobiles of FIG. 1; and,

FIG. 7 is a bottom view of the rear combination lamp for  
automobiles of FIG. 1.

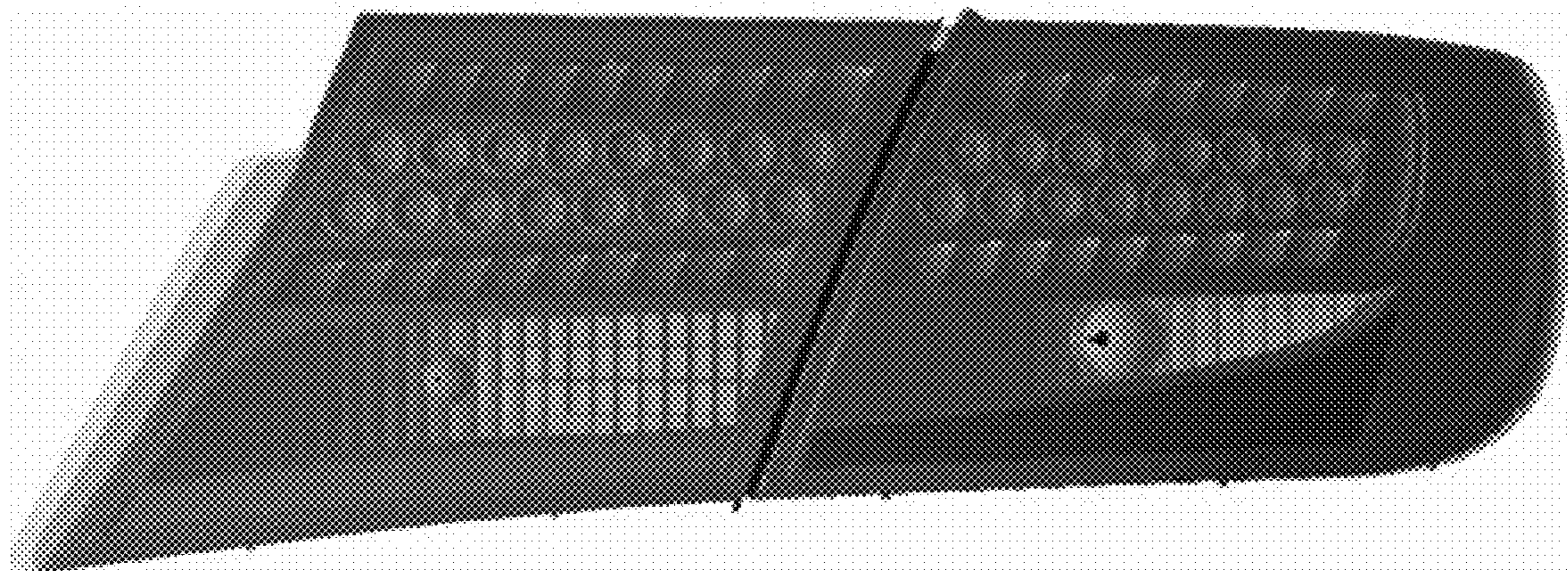
**1 Claim, 7 Drawing Sheets**



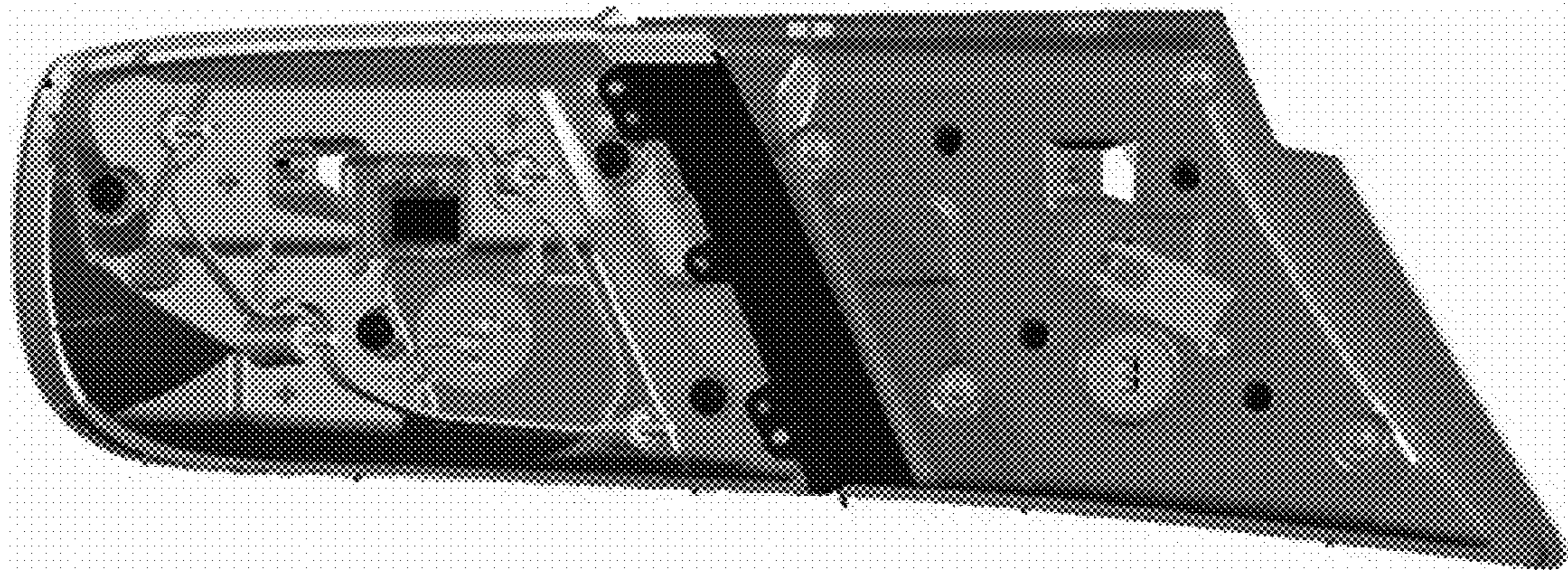
**FIG. 1**



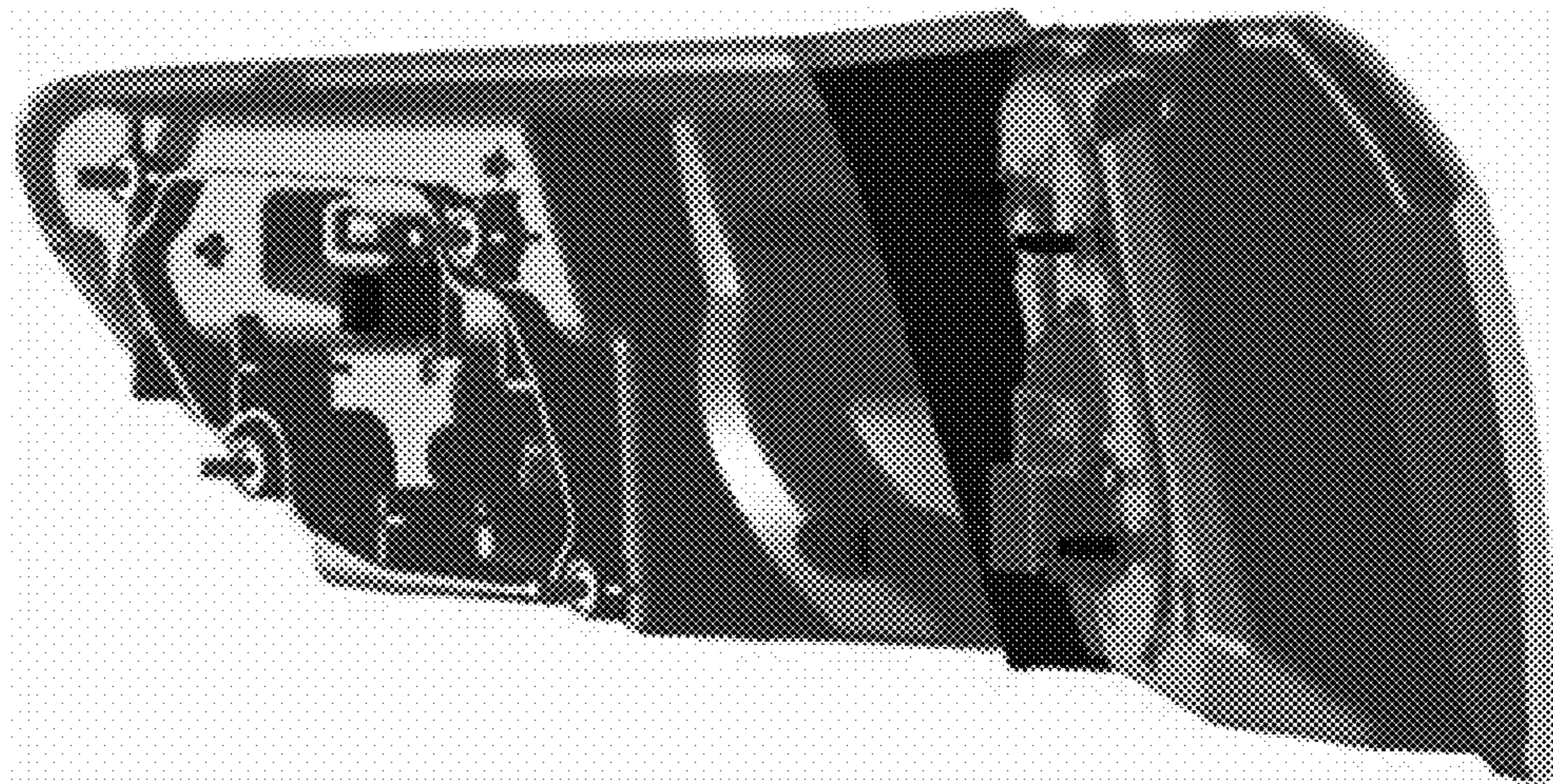
**FIG. 2**



**FIG. 3**



**FIG. 4**



**FIG. 5**

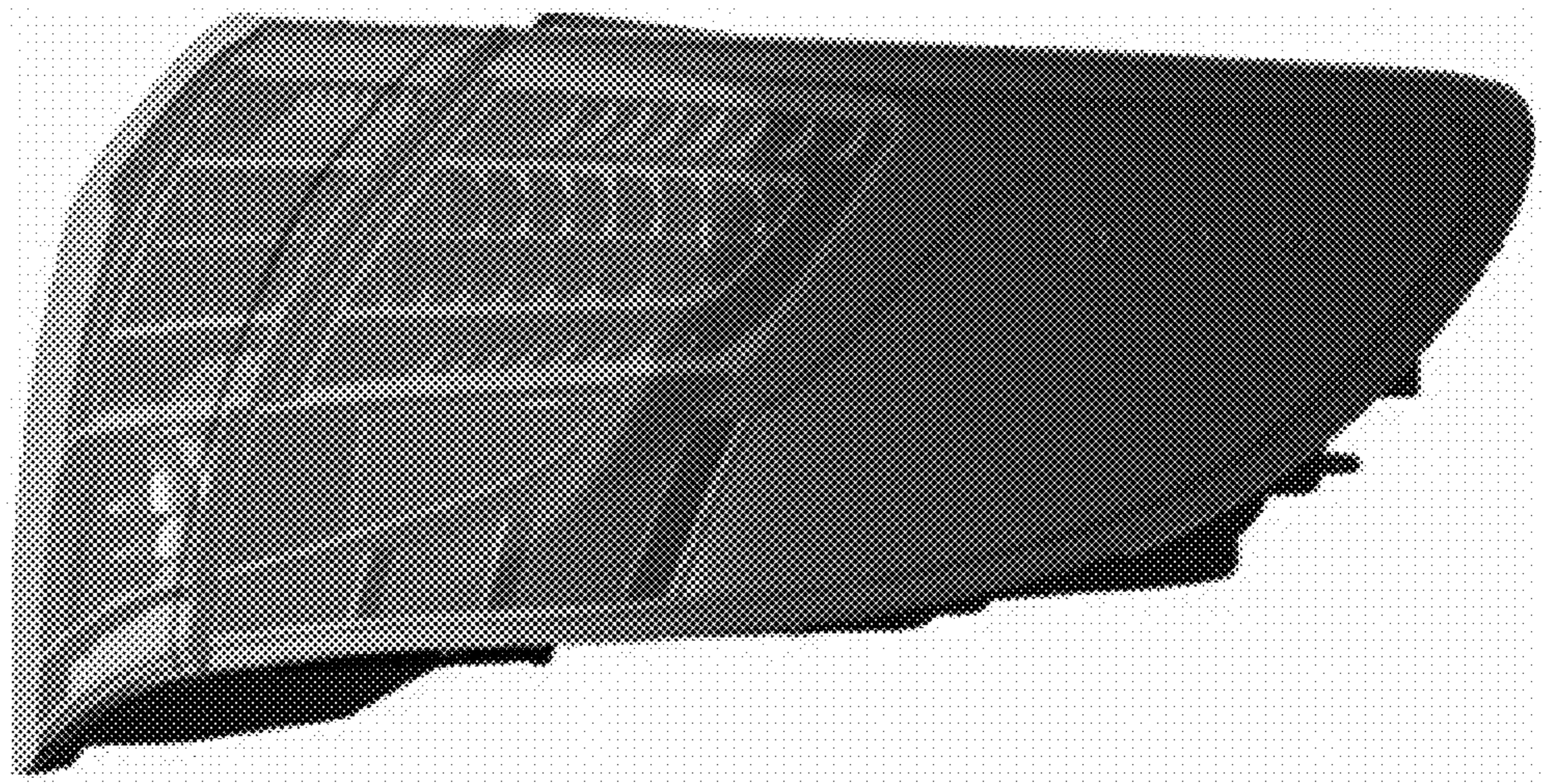
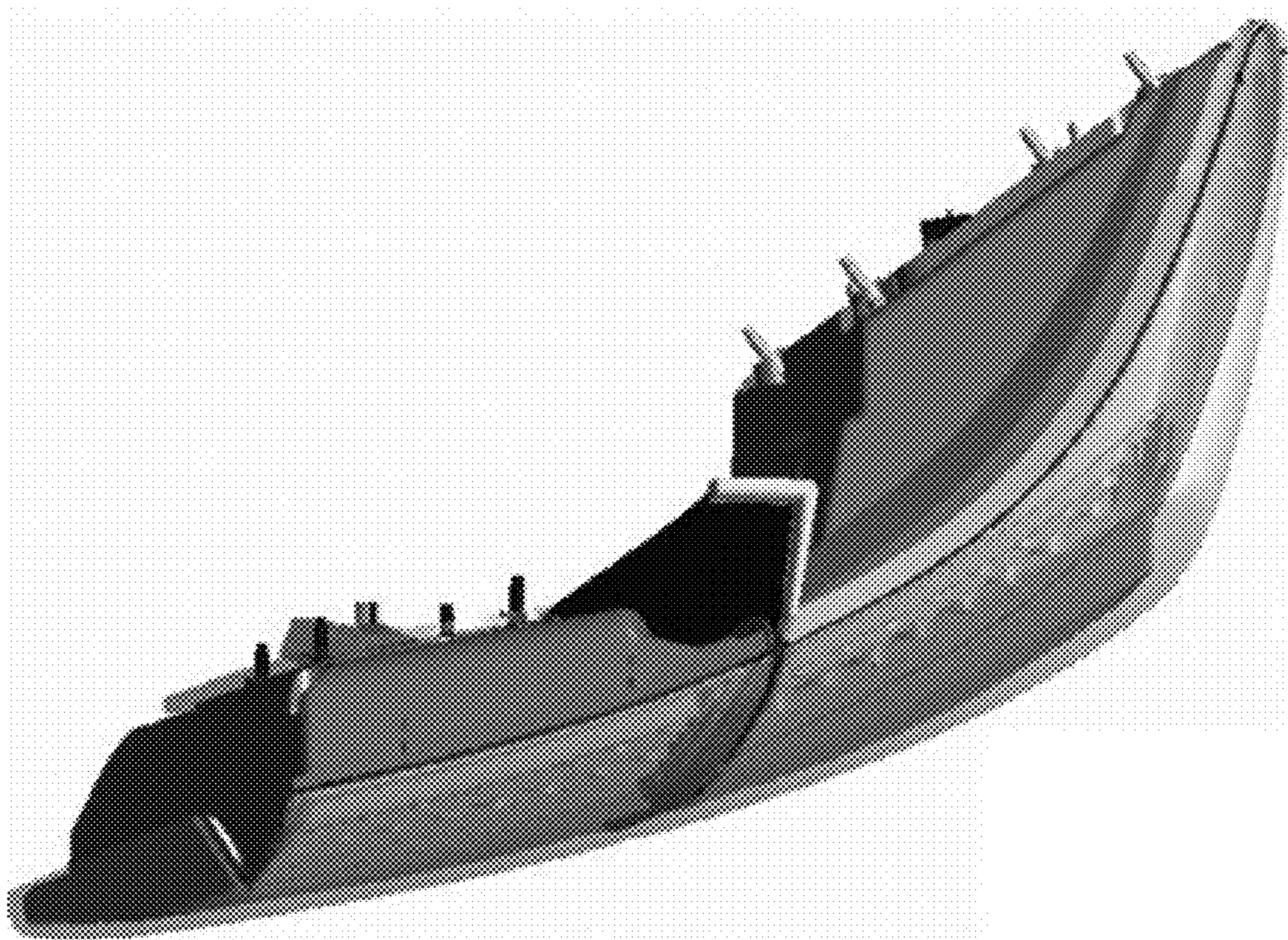


FIG. 6



**FIG. 7**

