



US00D635692S

(12) **United States Design Patent**
Wirthgen

(10) **Patent No.:** **US D635,692 S**
(45) **Date of Patent:** **** Apr. 5, 2011**

(54) **RETROFIT WINDOW TRIM FRAME**

(76) Inventor: **Wolfgang Wirthgen, Anaheim, CA (US)**

(**) Term: **14 Years**

(21) Appl. No.: **29/367,917**

(22) Filed: **Aug. 16, 2010**

(51) **LOC (9) Cl.** **25-01**

(52) **U.S. Cl.** **D25/119**

(58) **Field of Classification Search** D25/60,
D25/119; 52/203, 208, 455, 204.1, 204.71,
52/474, 767, 211, 656.5, 656.2, 656.1; 49/501,
49/504

See application file for complete search history.

(56) **References Cited**

U.S. PATENT DOCUMENTS

2,860,744	A	11/1958	Mascari	
2,902,727	A	9/1959	Samolis	
2,996,767	A	8/1961	Kobil et al.	
3,363,365	A	1/1968	Laeppe	
3,750,358	A	8/1973	Lewkowitz	
3,760,543	A	9/1973	McAllister	
3,903,669	A	9/1975	Pease, Jr. et al.	
4,021,967	A	5/1977	Mulder et al.	
D252,044	S *	6/1979	O'Shaughnessy D25/119
4,246,731	A	1/1981	Miro	
D302,857	S *	8/1989	Dunnick D25/119
5,577,355	A	11/1996	Leonelli	
5,941,033	A *	8/1999	Adams 52/212
6,412,239	B1 *	7/2002	Miller 52/204.1

D473,662 S 4/2003 Shaw
6,698,154 B2 * 3/2004 Vance 52/716.6
D488,570 S 4/2004 Houssian

* cited by examiner

Primary Examiner — Doris Clark

(74) *Attorney, Agent, or Firm* — Kirk A. Buhler; Buhler & Associates

(57) **CLAIM**

The ornamental design for a retrofit window trim frame, as shown and described.

DESCRIPTION

FIG. 1 is a front view for a retrofit window trim frame showing my new design;

FIG. 2 is a back view thereof;

FIG. 3 is a right view thereof;

FIG. 4 is a left view thereof;

FIG. 5 is a top view thereof;

FIG. 6 is a bottom view thereof;

FIG. 7 is a front isometric view thereof;

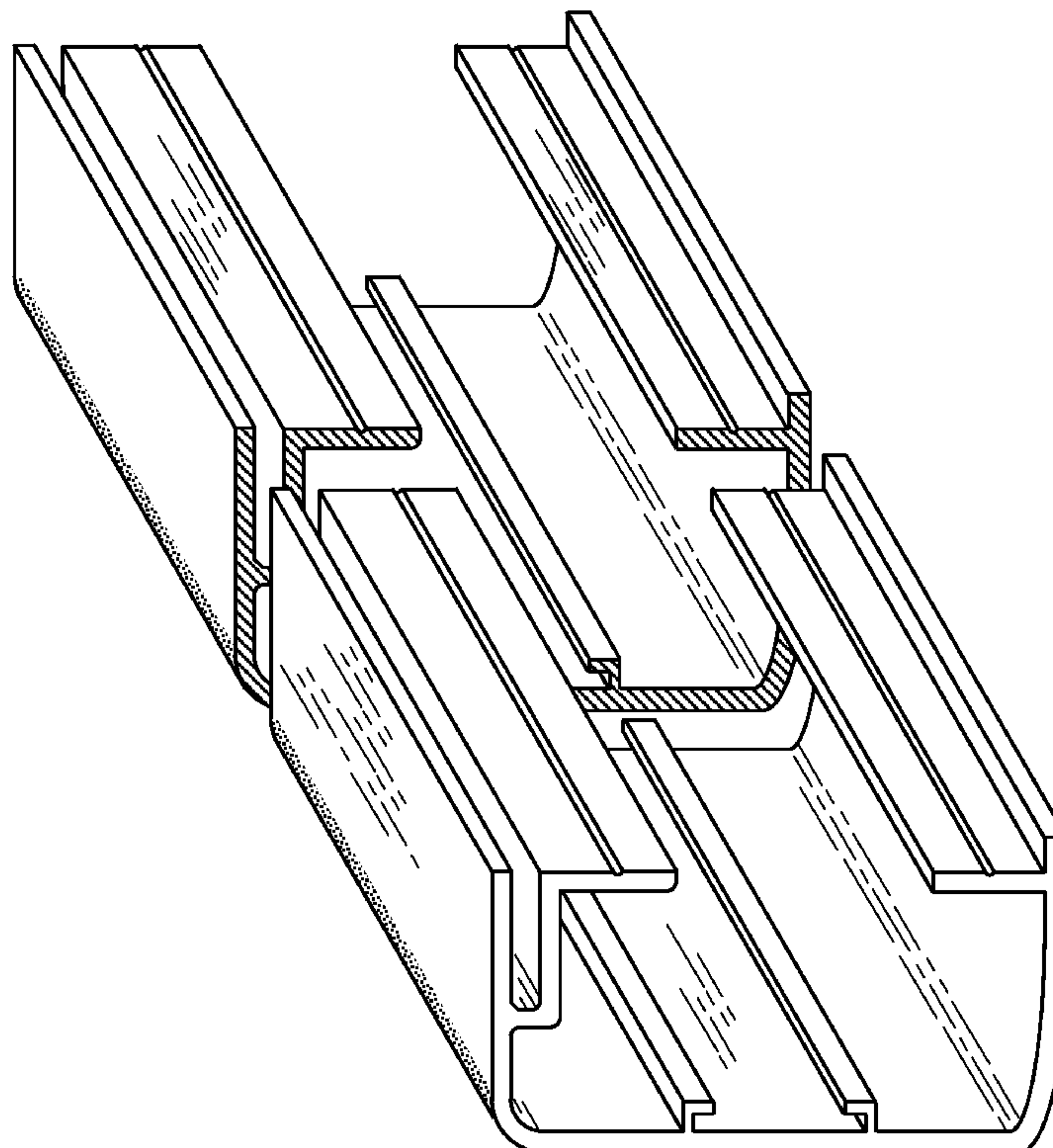
FIG. 8 is a front view thereof shown in an environment of use; and,

FIG. 9 is a front perspective view thereof shown in an environment of use.

The broken lines in FIGS. 8 and 9 depict environmental subject matter only and form no part of the claimed design.

The claimed design is shown broken away to indicate that no particular length of retrofit window trim frame forms a part of the claimed design.

1 Claim, 6 Drawing Sheets



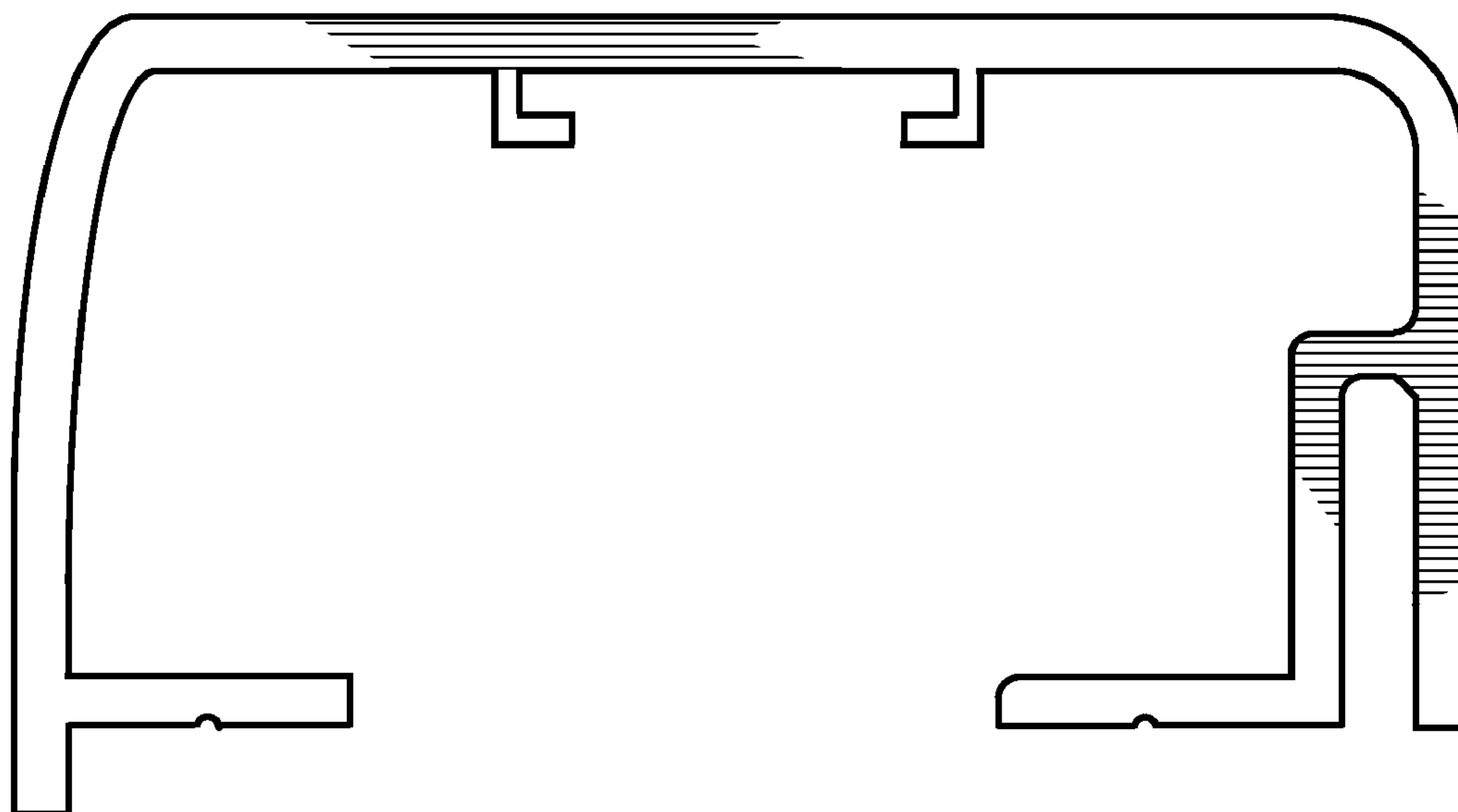


FIG. 1

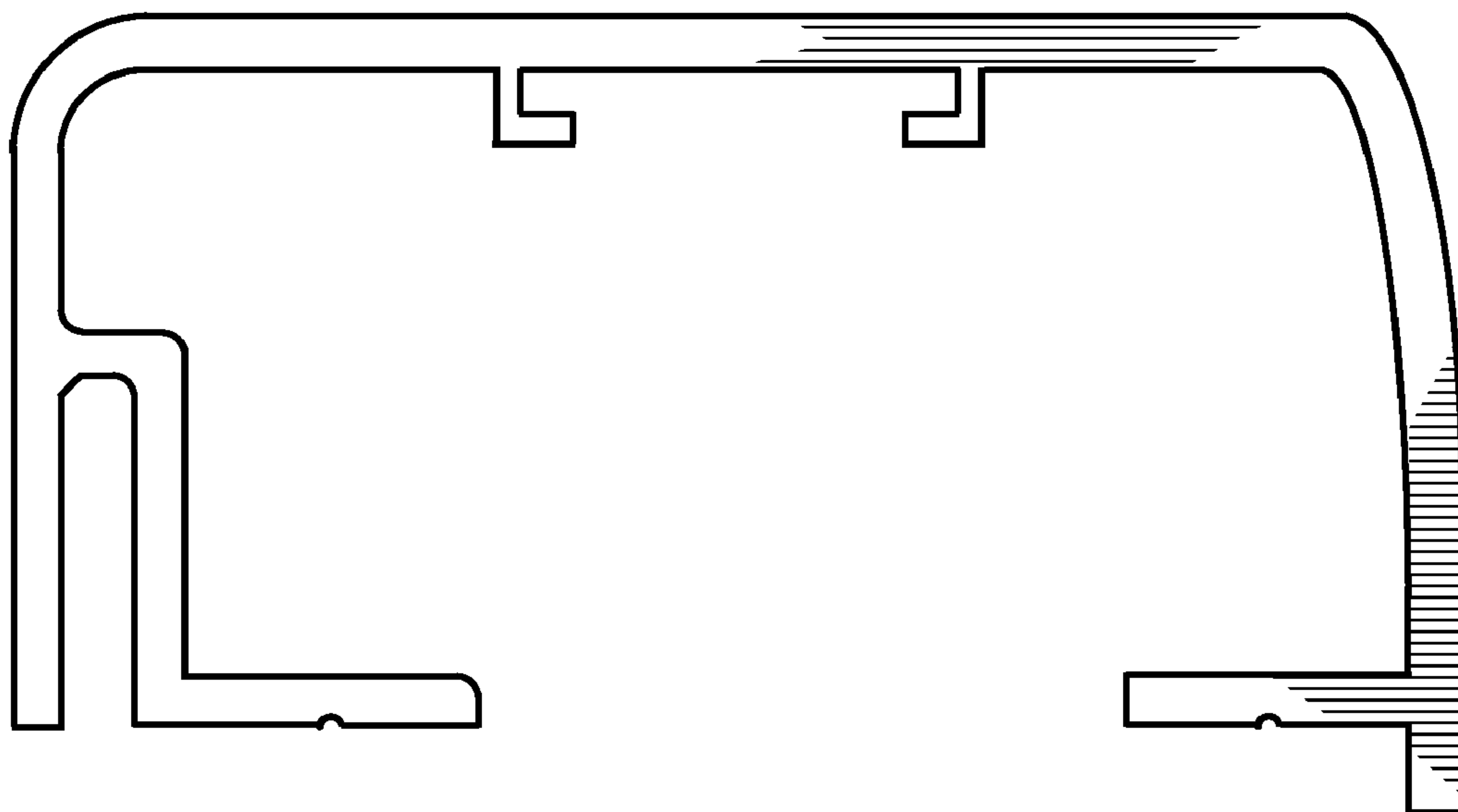


FIG. 2

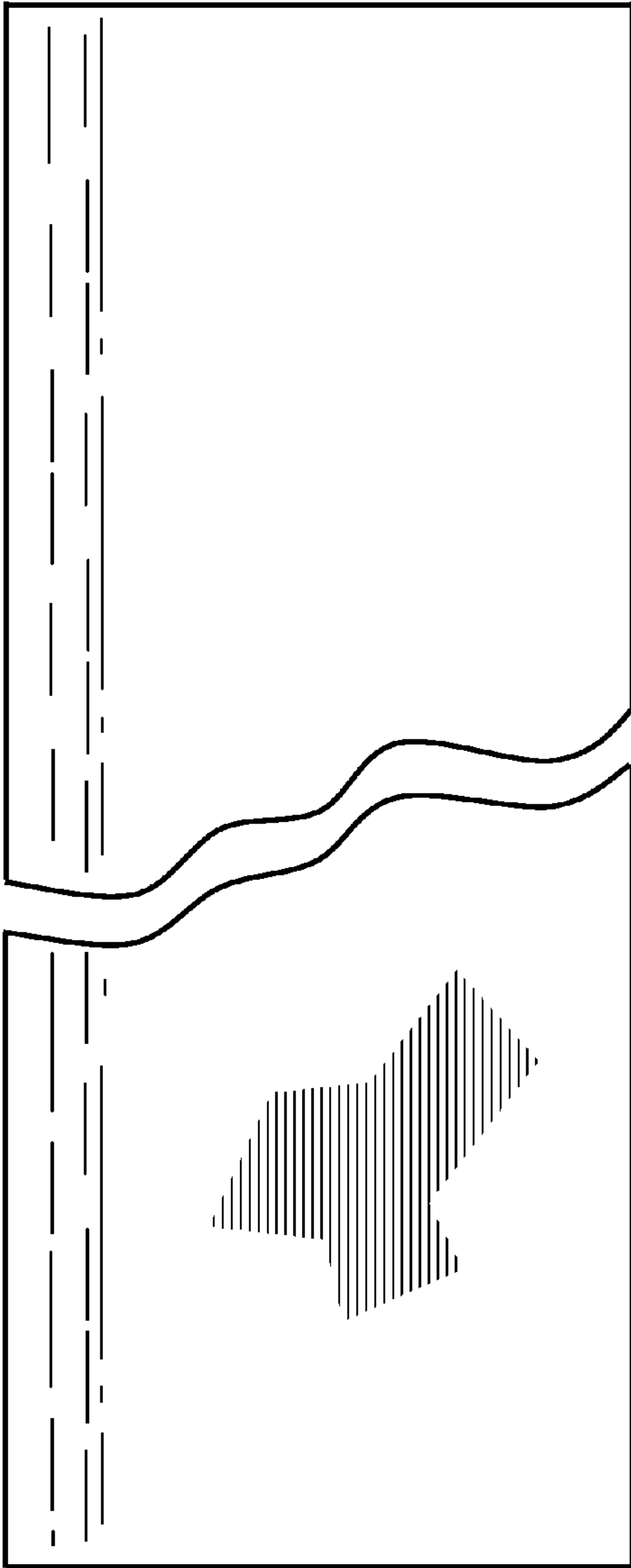


FIG. 3

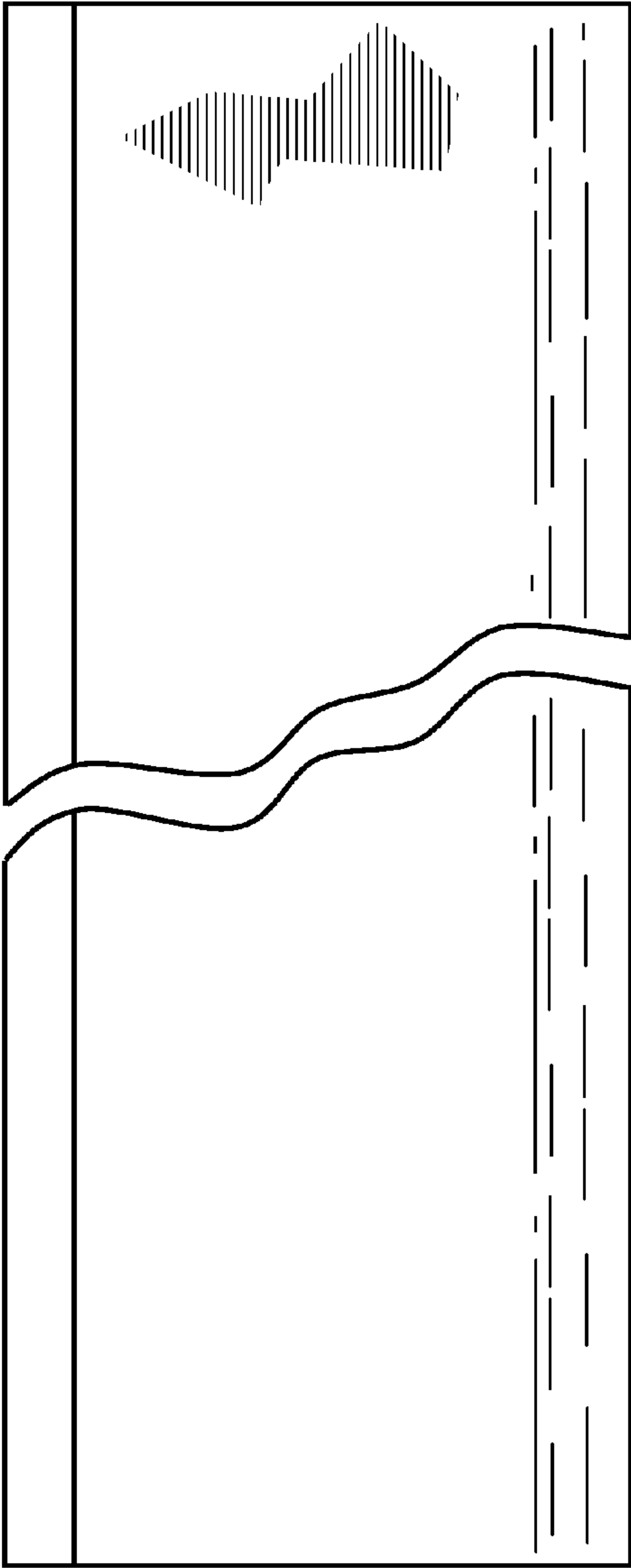


FIG. 4

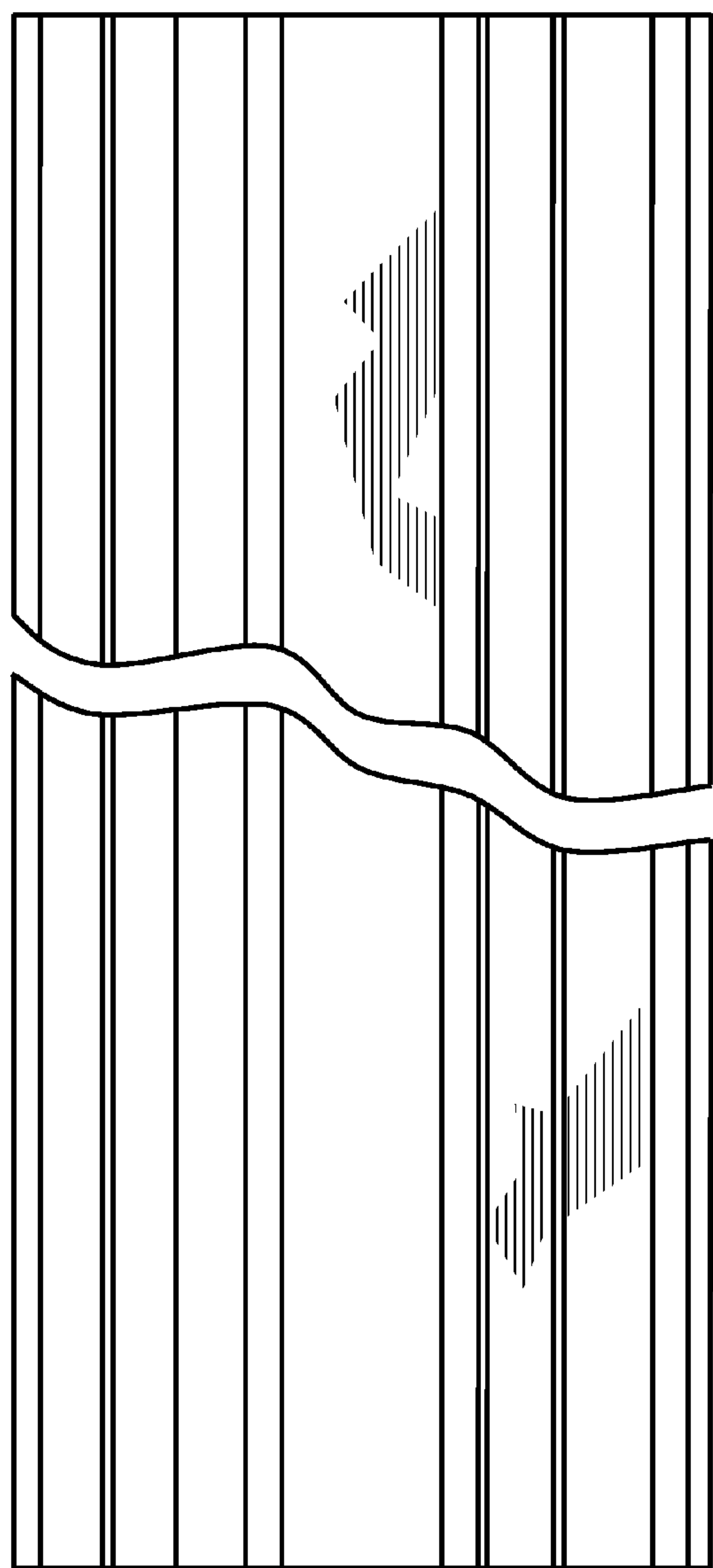


FIG. 5

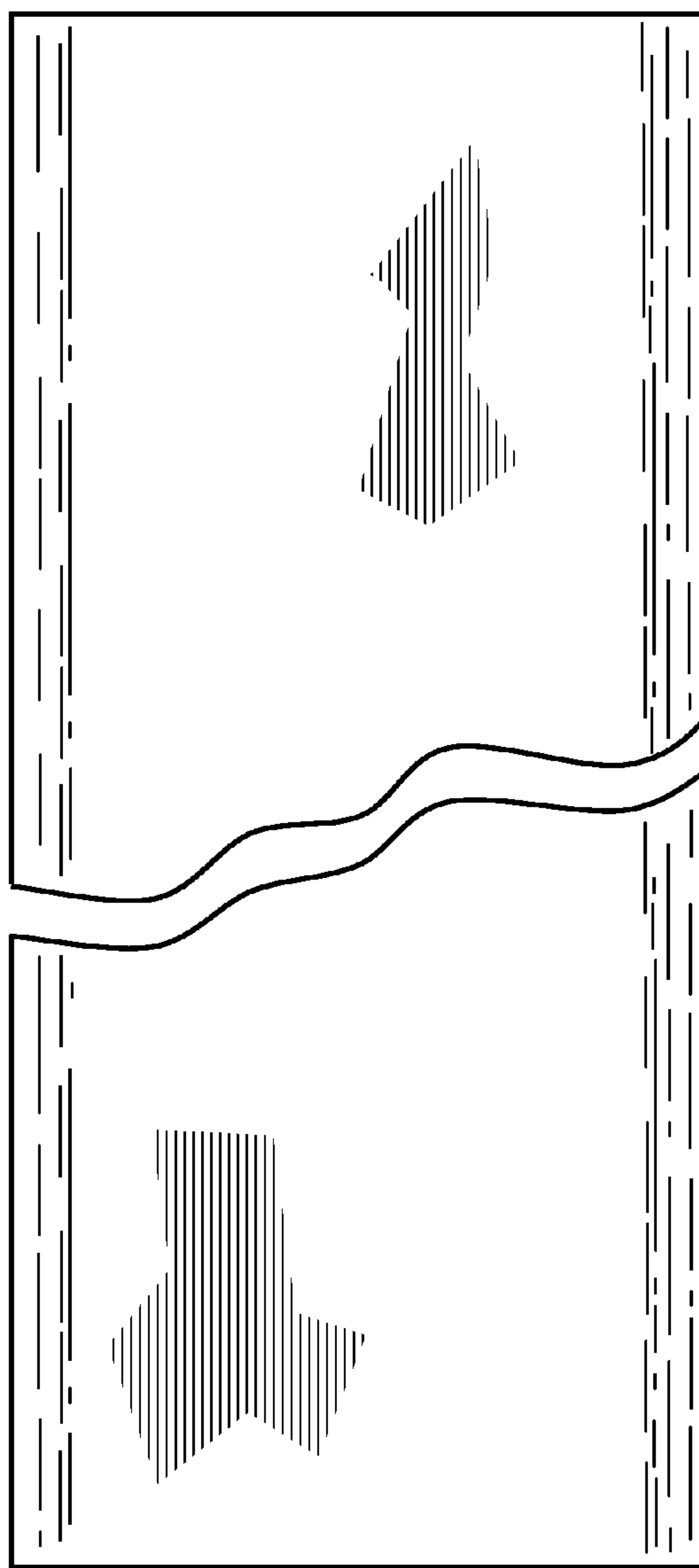


FIG. 6

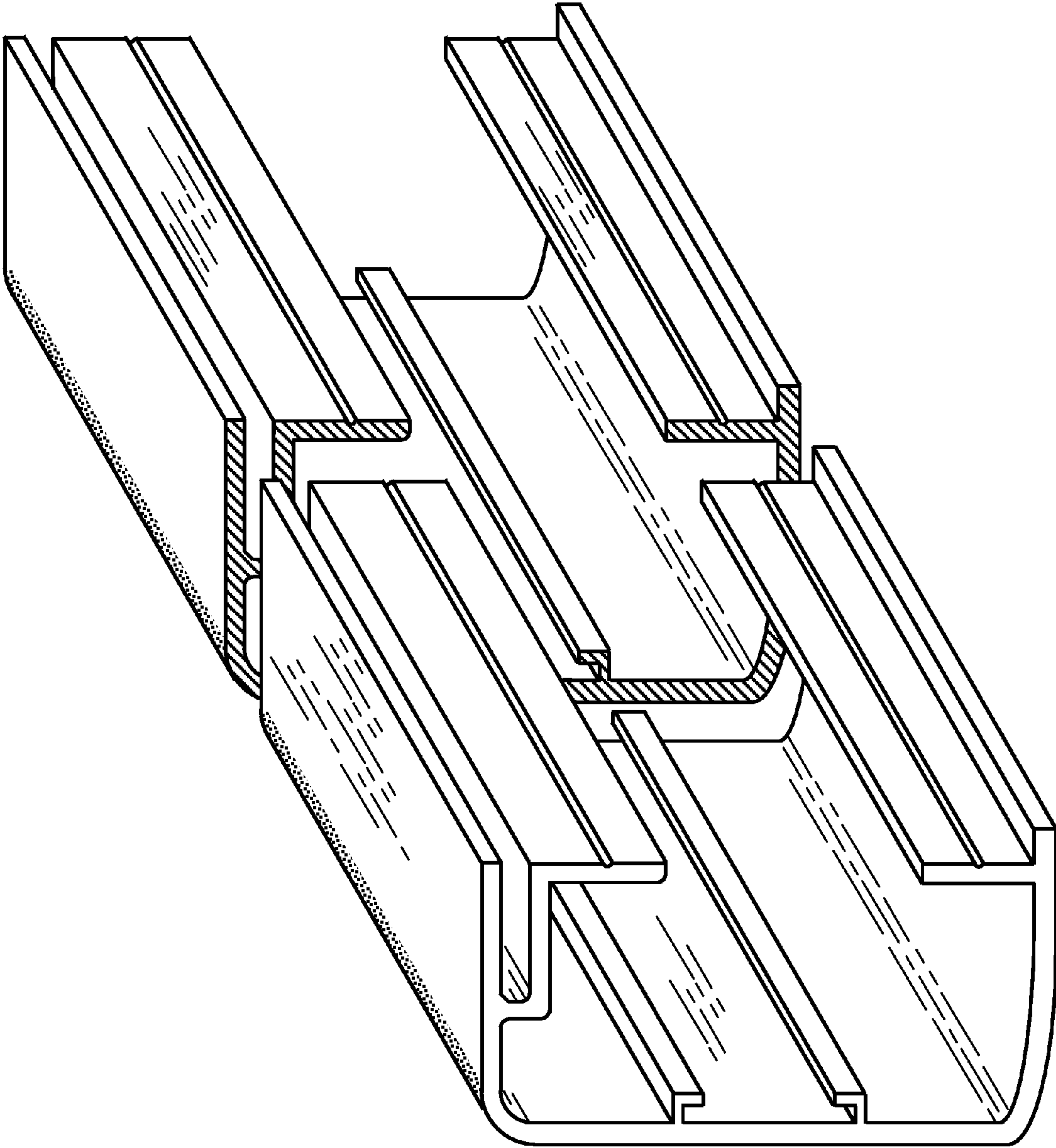


FIG. 7

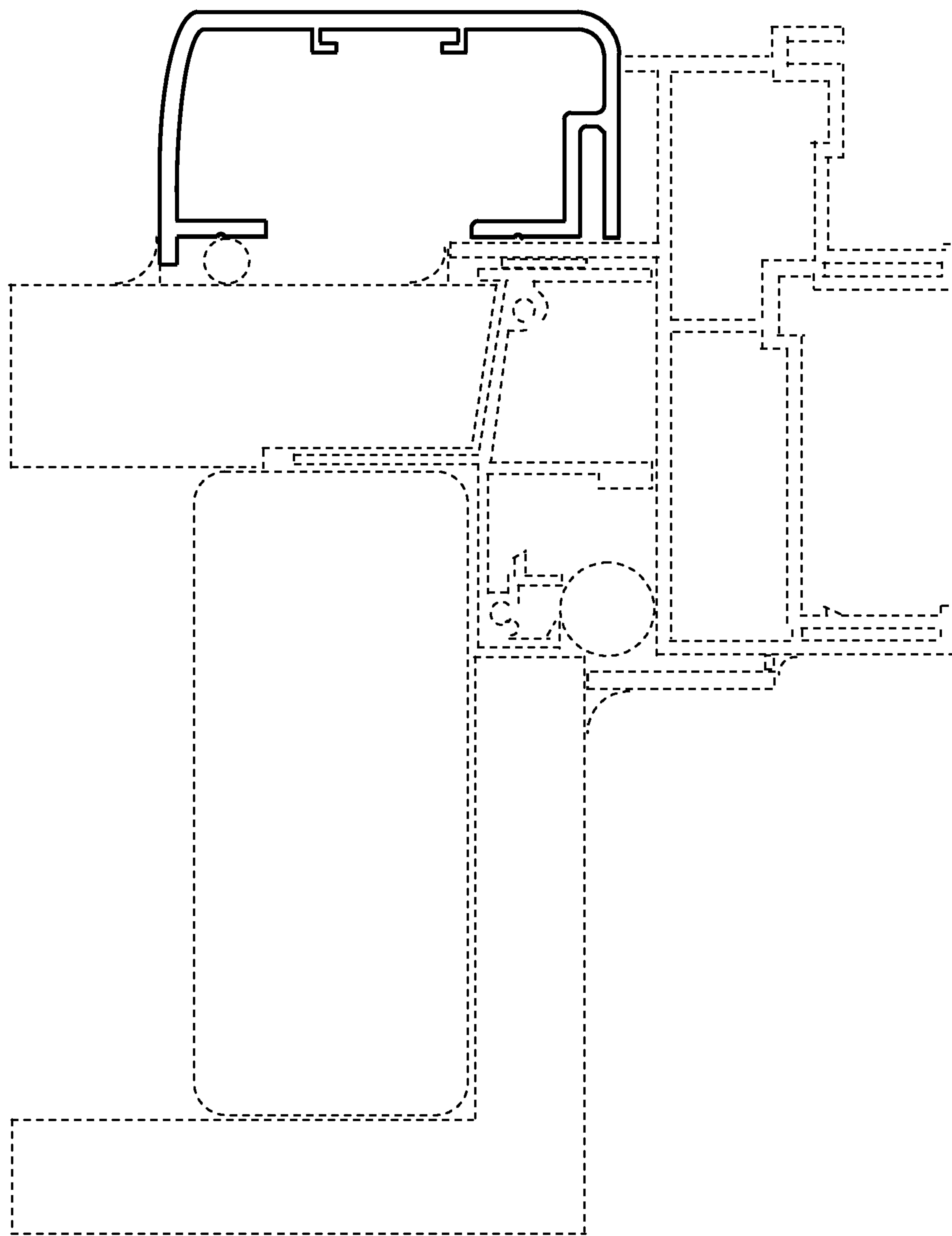


FIG. 8

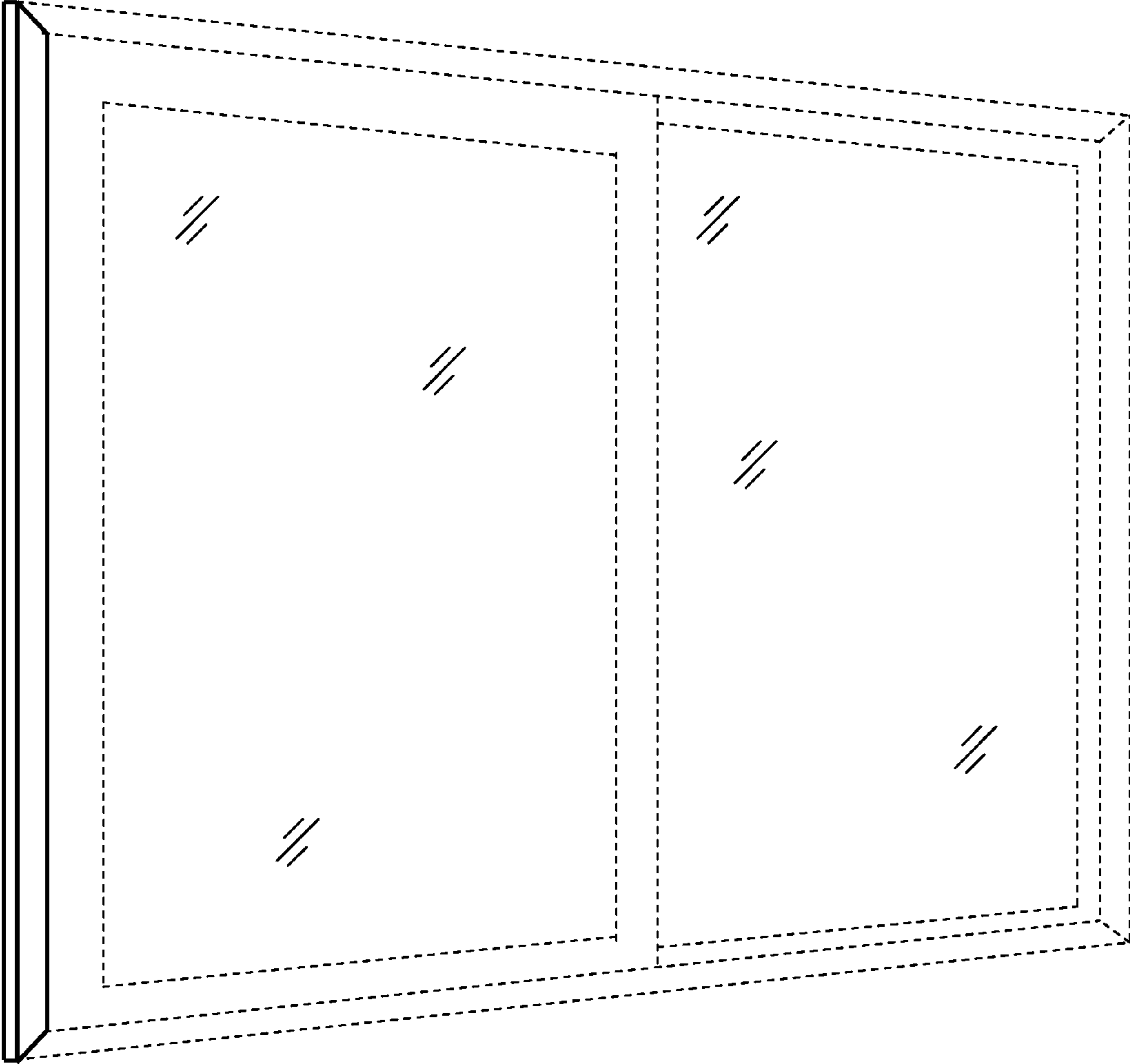


FIG. 9