



US00D635690S

(12) **United States Design Patent**
Casella

(10) **Patent No.:** **US D635,690 S**

(45) **Date of Patent:** **** Apr. 5, 2011**

(54) **DOCK LADDER**

(75) Inventor: **Samuel J. Casella**, Sunrise Beach, MO
(US)

(73) Assignee: **The Lake Doctors, LLC**, Laurie, MO
(US)

(**) Term: **14 Years**

(21) Appl. No.: **29/369,444**

(22) Filed: **Sep. 8, 2010**

(51) **LOC (9) Cl.** **25-04**

(52) **U.S. Cl.** **D25/64**

(58) **Field of Classification Search** D25/64;
182/106, 113, 29; 114/362

See application file for complete search history.

(56) **References Cited**

U.S. PATENT DOCUMENTS

4,365,689	A	12/1982	Dever	
4,768,618	A	9/1988	Ritten	
5,044,465	A	9/1991	Rinke	
5,065,840	A *	11/1991	Cadigan	182/93
D359,470	S	6/1995	Allyn	
6,058,875	A	5/2000	Krish, Jr.	
6,237,523	B1	5/2001	Day et al.	
6,422,340	B1	7/2002	Grundler	
D499,190	S *	11/2004	Garelick et al.	D25/64
6,845,845	B2	1/2005	Schmid, Jr.	
6,907,957	B1 *	6/2005	Couch	182/206
6,962,125	B1	11/2005	Wesley	
2001/0023659	A1	9/2001	Nixon	

2003/0066475 A1 4/2003 Nixon
2003/0106173 A1* 6/2003 Miller 14/71.1

* cited by examiner

Primary Examiner — Doris Clark

(74) *Attorney, Agent, or Firm* — Thompson Coburn LLP

(57) **CLAIM**

I claim the ornamental design of a dock ladder, as shown and described.

DESCRIPTION

FIG. 1 is a front view of the dock ladder design of the invention depicting the dock ladder in its deployed configuration. FIG. 2 is a left side view of the dock ladder design of the invention depicting the dock ladder in its deployed configuration.

FIG. 3 is a top view of the dock ladder design of the invention depicting the dock ladder in its deployed configuration.

FIG. 4 is a perspective view showing the top, front, and right side of the dock ladder design of the invention depicting the dock ladder in its deployed configuration.

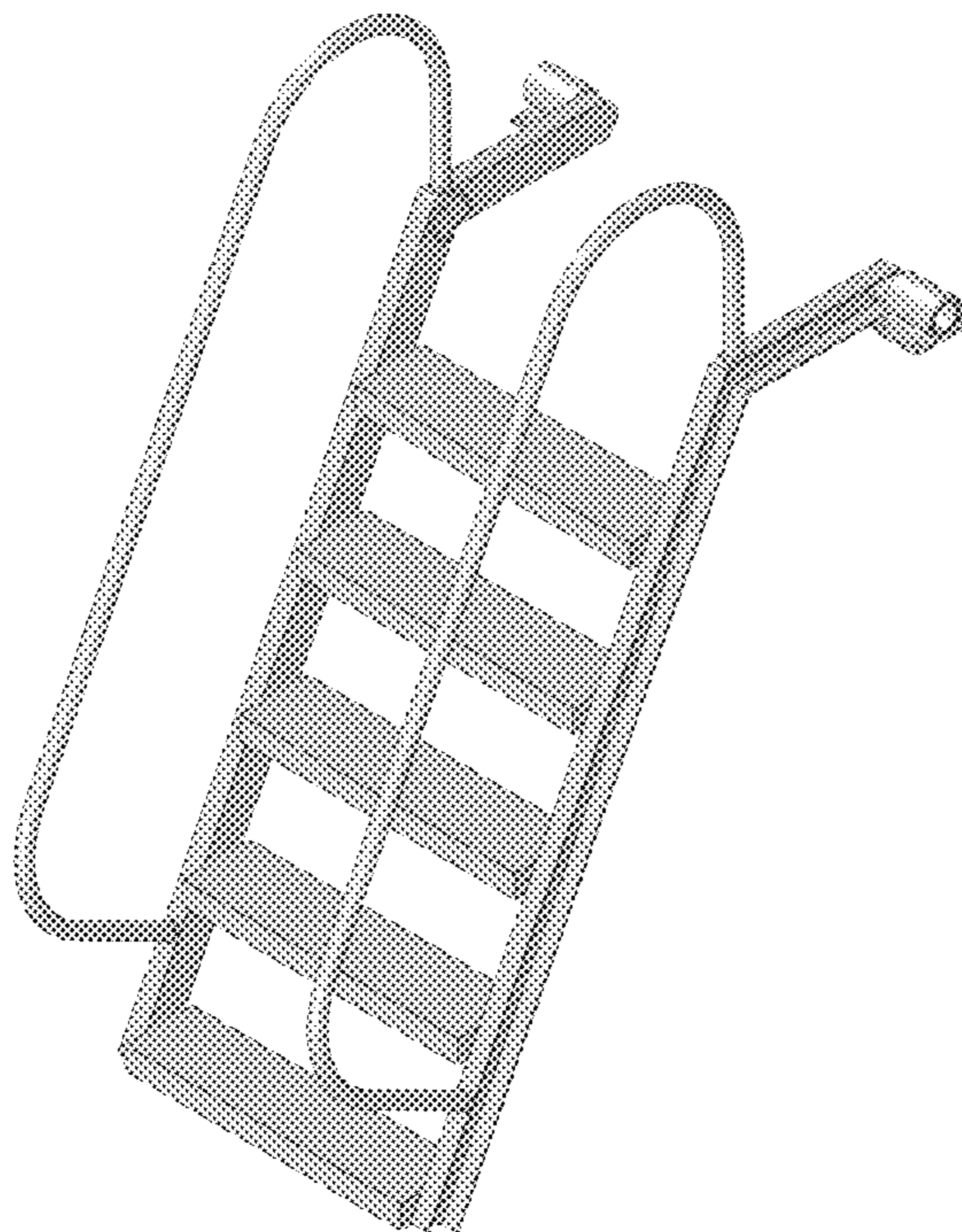
FIG. 5 is a perspective view showing the bottom, front, and left side of the dock ladder design of the invention depicting the dock ladder in its deployed configuration.

FIG. 6 is a left side view of the dock ladder design of the invention depicting the dock ladder in its stowed configuration.

FIG. 7 is a perspective view showing the rear, top, and left side of the dock ladder design of the invention depicting the dock ladder in its stowed configuration; and,

FIG. 8 is a perspective view showing the front, top, and left side of the dock ladder design of the invention depicting the dock ladder in its stowed configuration.

1 Claim, 8 Drawing Sheets



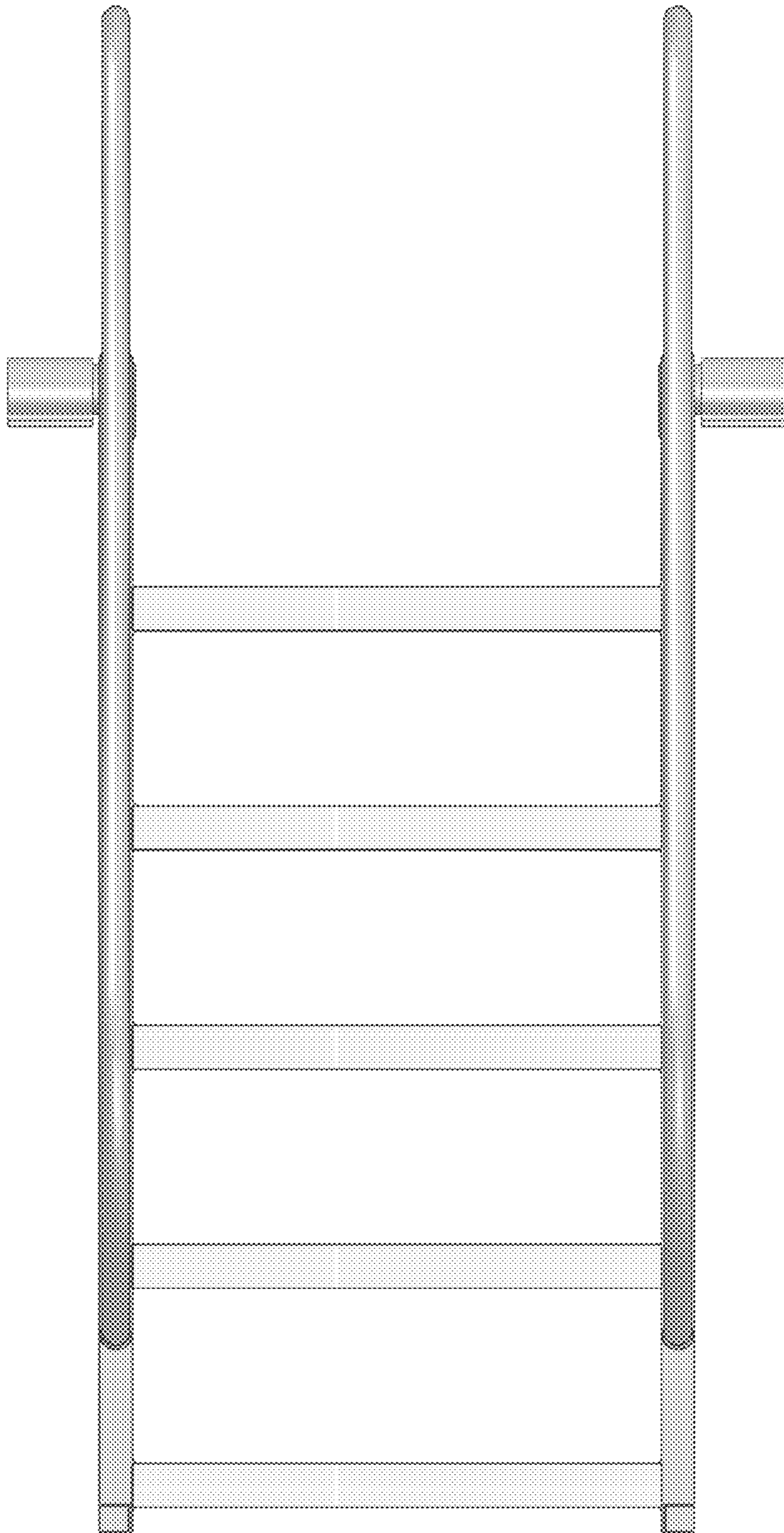


FIG. 1

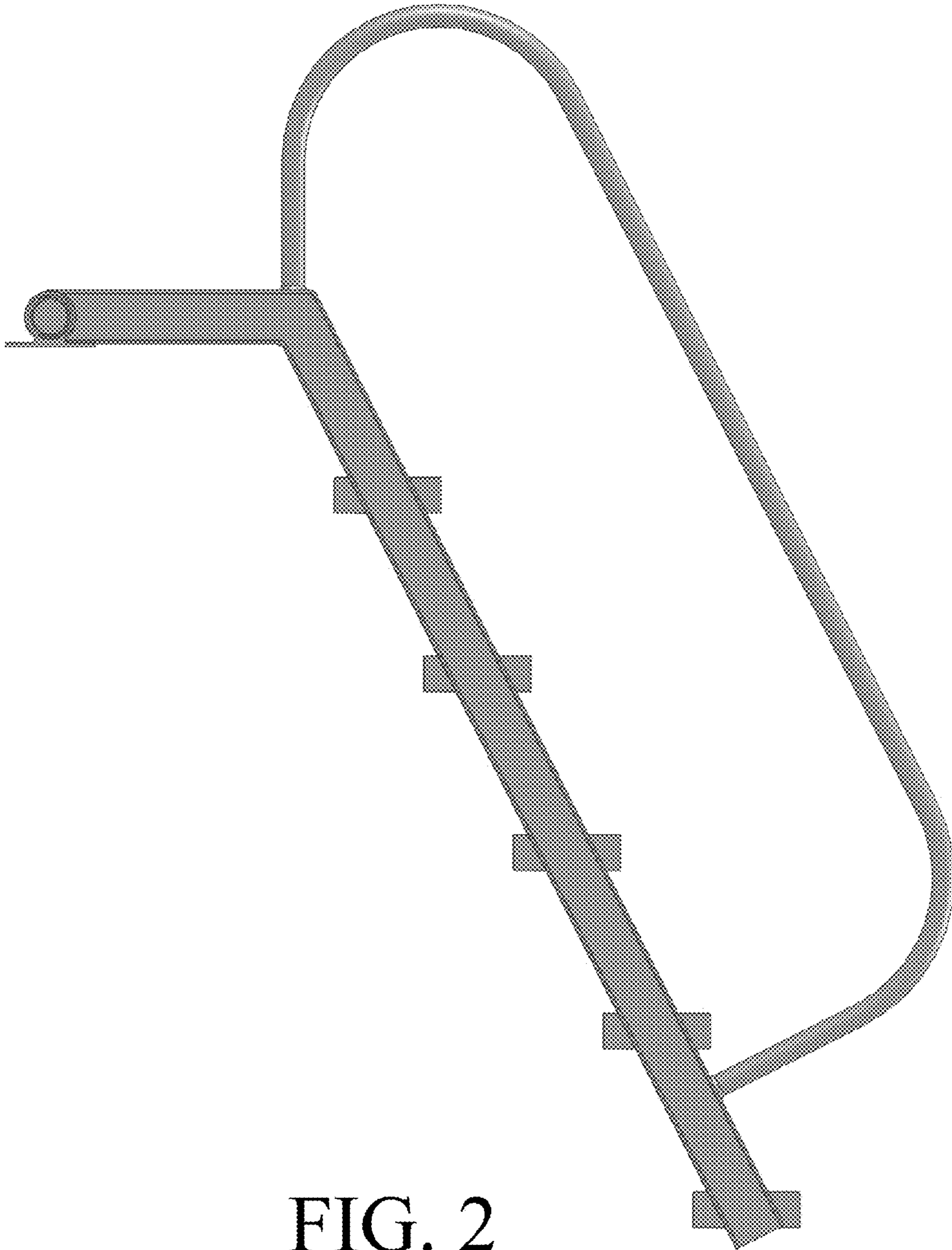


FIG. 2

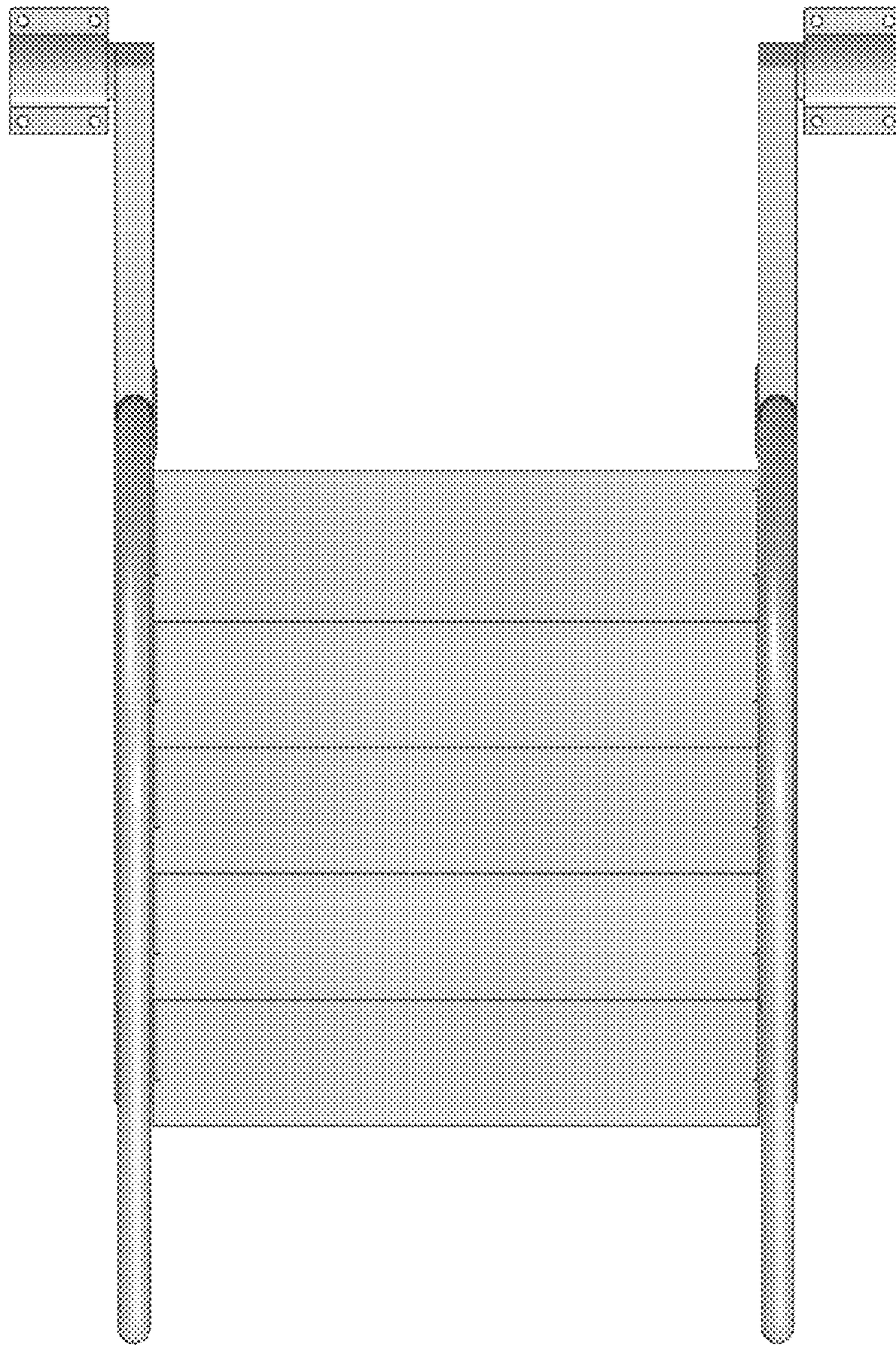


FIG. 3



FIG. 4

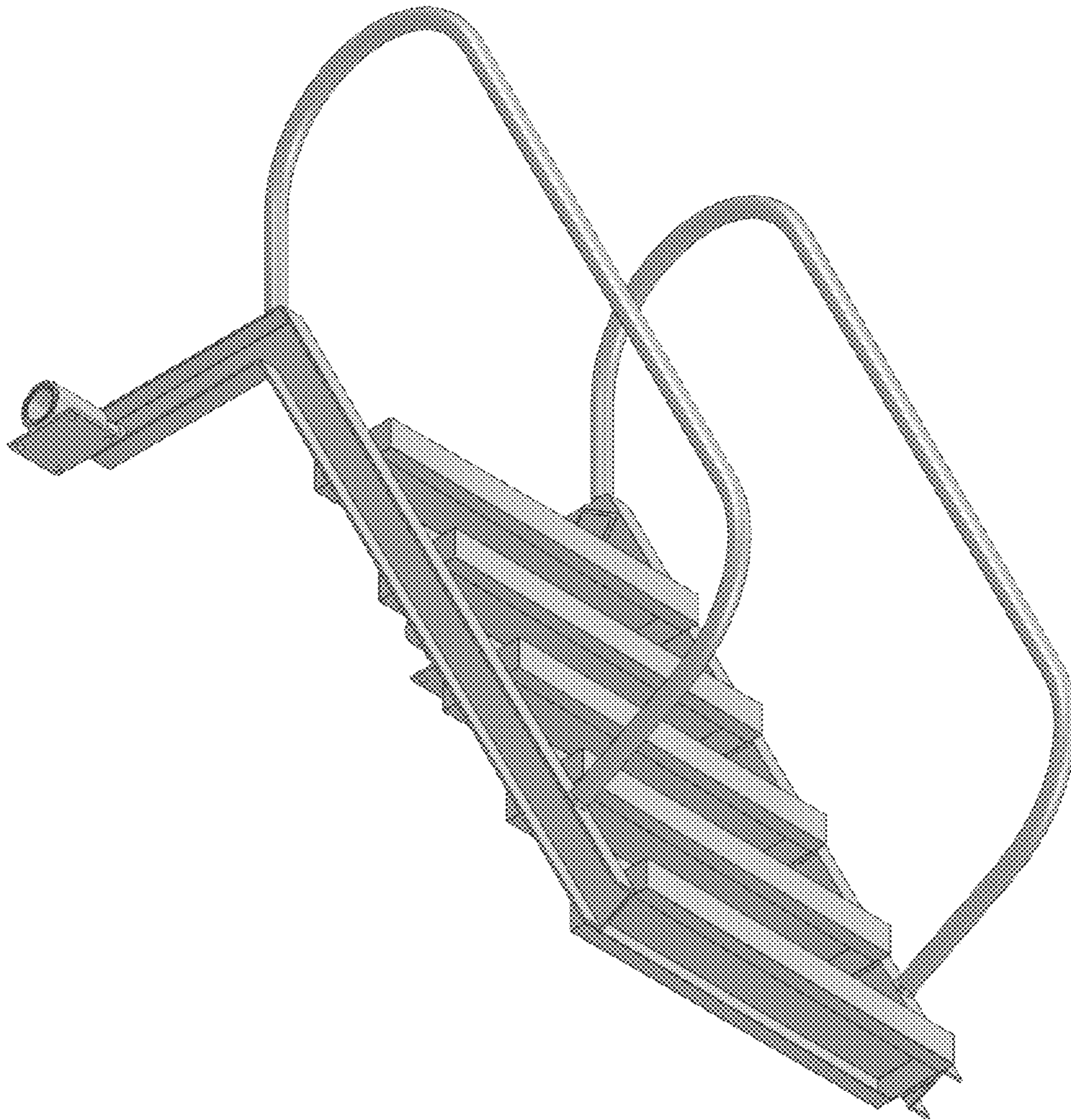


FIG. 5

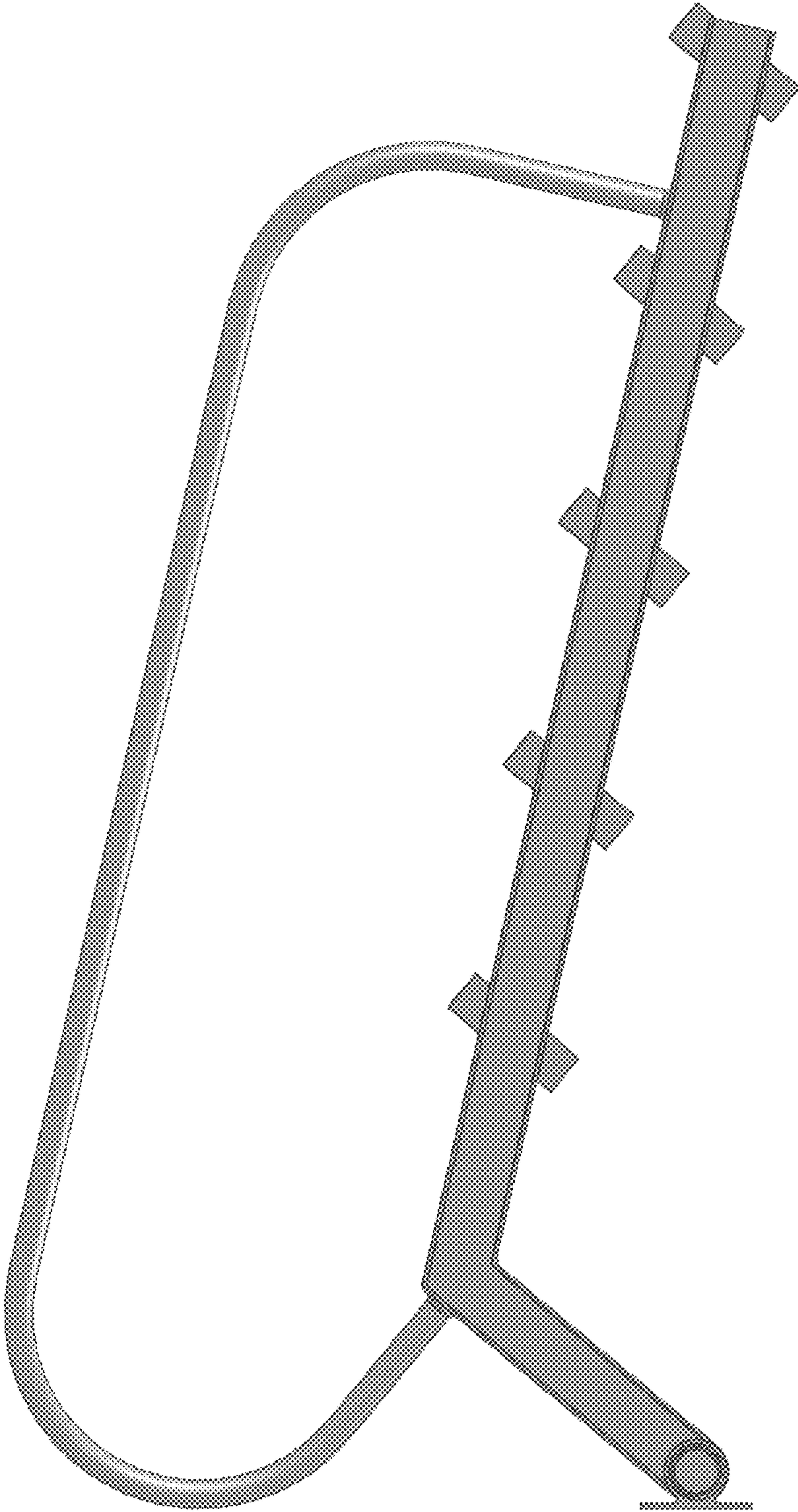


FIG. 6



FIG. 7

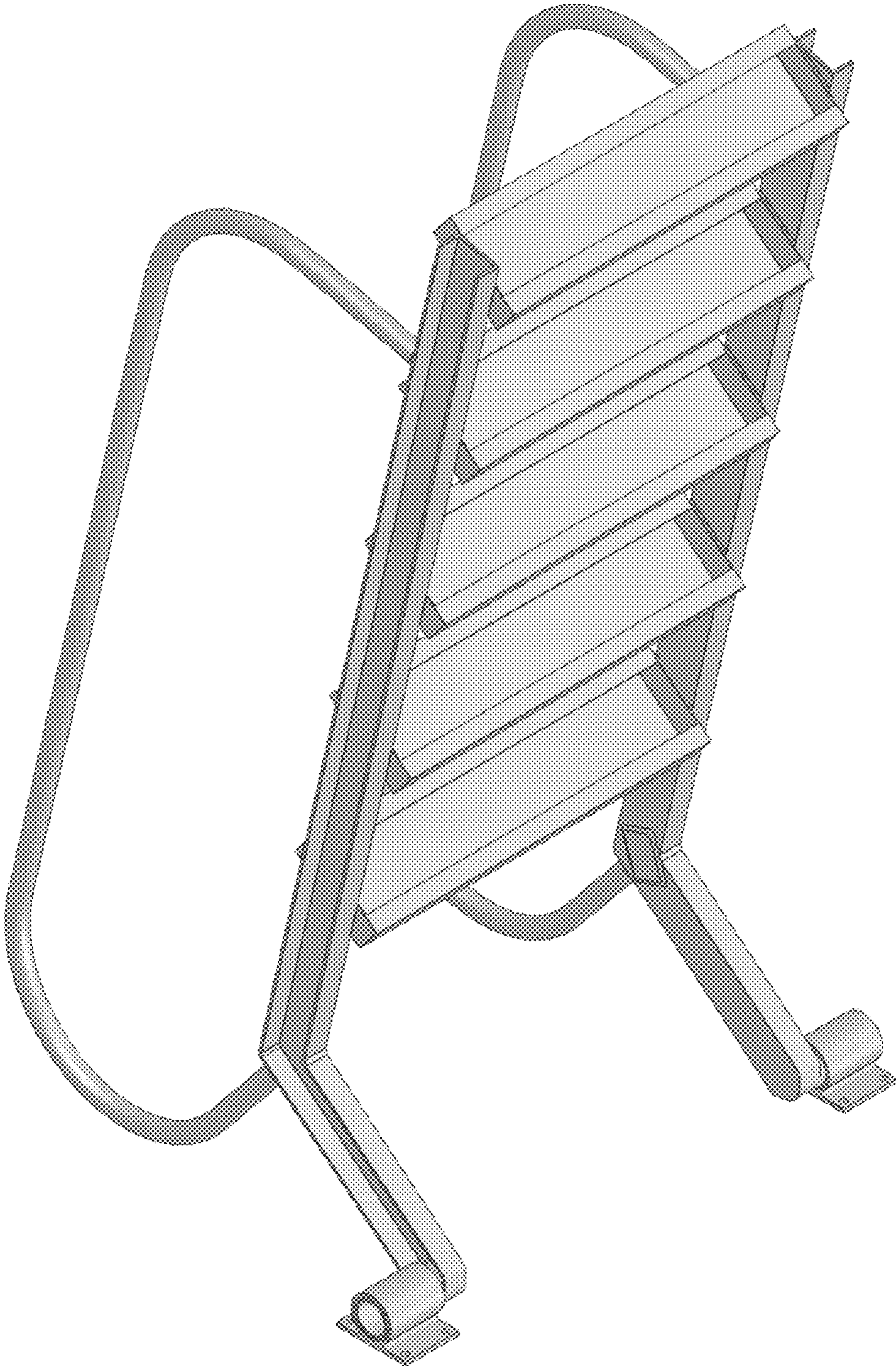


FIG. 8

UNITED STATES PATENT AND TRADEMARK OFFICE
CERTIFICATE OF CORRECTION

PATENT NO. : D635,690 S
APPLICATION NO. : 29/369444
DATED : April 5, 2011
INVENTOR(S) : Samuel J. Casella

Page 1 of 1

It is certified that error appears in the above-identified patent and that said Letters Patent is hereby corrected as shown below:

Item (73) on the title page should read:

--(73) Assignee: The Lake Docktors, LLC, Laurie, MO (US)--.

Signed and Sealed this
Thirteenth Day of March, 2012

A handwritten signature in black ink that reads "David J. Kappos". The signature is written in a cursive style with a large initial "D" and "K".

David J. Kappos
Director of the United States Patent and Trademark Office