



US00D635687S

(12) **United States Design Patent**
Eastham et al.

(10) **Patent No.:** **US D635,687 S**

(45) **Date of Patent:** **** Apr. 5, 2011**

(54) **SKYLIGHT CUPOLA**

(75) Inventors: **Kerry Douglas Eastham**, Bellbrook, OH (US); **Ted Alan Donnell**, Yellow Springs, OH (US)

(73) Assignee: **Orange Sky, Ltd.**, Bellbrook, OH (US)

(**) Term: **14 Years**

(21) Appl. No.: **29/370,888**

(22) Filed: **Sep. 20, 2010**

(51) **LOC (9) Cl.** **25-02**

(52) **U.S. Cl.** **D25/35**

(58) **Field of Classification Search** D25/35;
52/200

See application file for complete search history.

(56) **References Cited**

U.S. PATENT DOCUMENTS

3,350,819	A	11/1967	Polidoro et al.	
4,697,624	A	10/1987	Bower et al.	
4,888,923	A *	12/1989	Post, Jr.	52/200
5,255,723	A	10/1993	Carmack et al.	
5,289,856	A	3/1994	Strock et al.	

5,408,795	A	4/1995	Eljadi et al.	
5,655,576	A	8/1997	Leininger	
6,385,922	B1	5/2002	Mors	
6,422,936	B1 *	7/2002	Van Gilst et al.	454/367
6,951,229	B2	10/2005	Garrison	
7,013,606	B2 *	3/2006	Sigrist et al.	52/58
7,082,972	B1	8/2006	Healy	
D533,672	S *	12/2006	Uffner et al.	D25/35

* cited by examiner

Primary Examiner — Doris Clark

(74) *Attorney, Agent, or Firm* — Jacox, Meckstroth & Jenkins

(57) **CLAIM**

The ornamental design for a skylight cupola, as shown and described.

DESCRIPTION

FIG. 1 is a perspective view of a skylight cupola showing our new design;

FIG. 2 is a side view thereof, the other side views being the same;

FIG. 3 is a top view thereof; and,

FIG. 4 is a bottom view thereof.

1 Claim, 2 Drawing Sheets

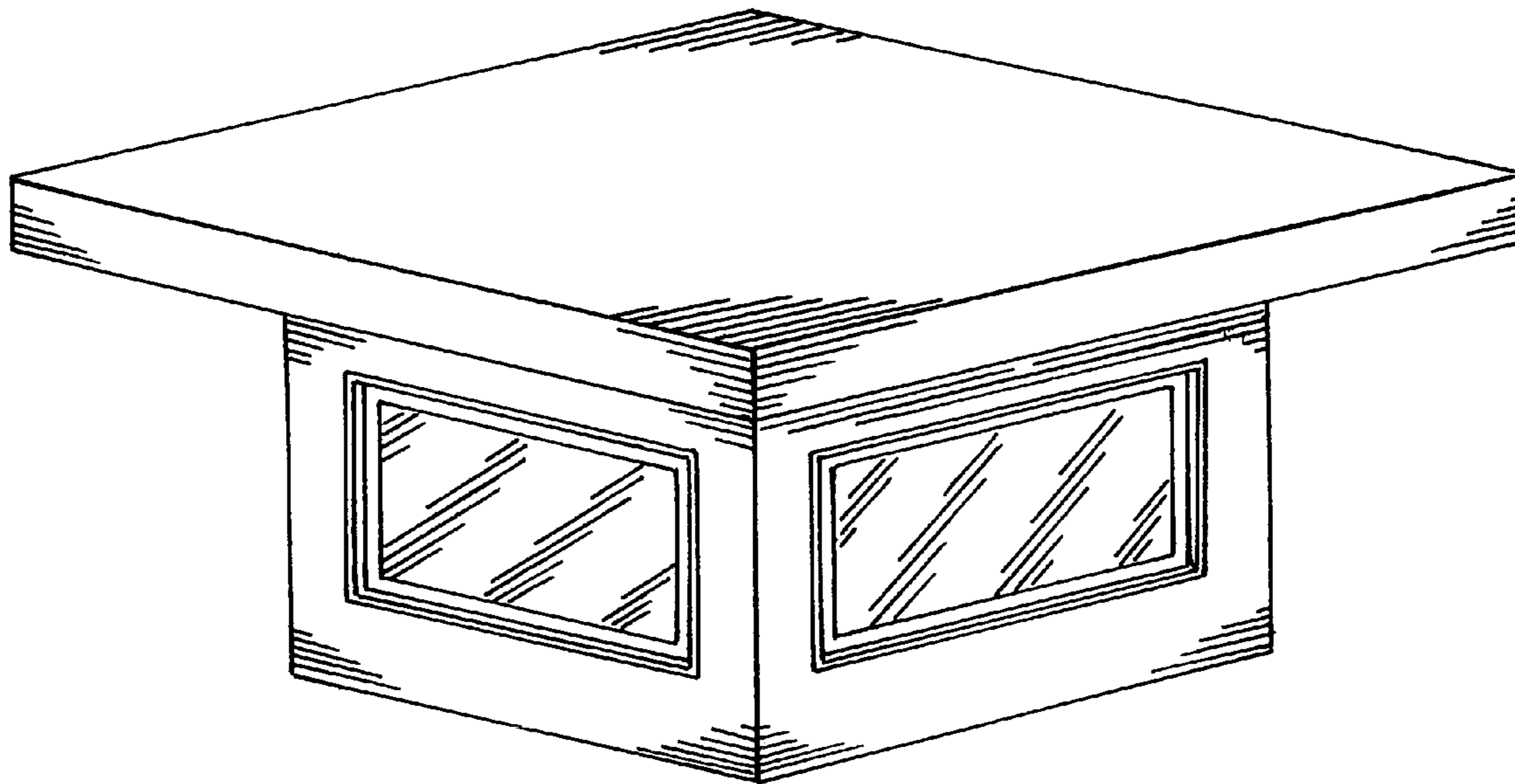


FIG-1

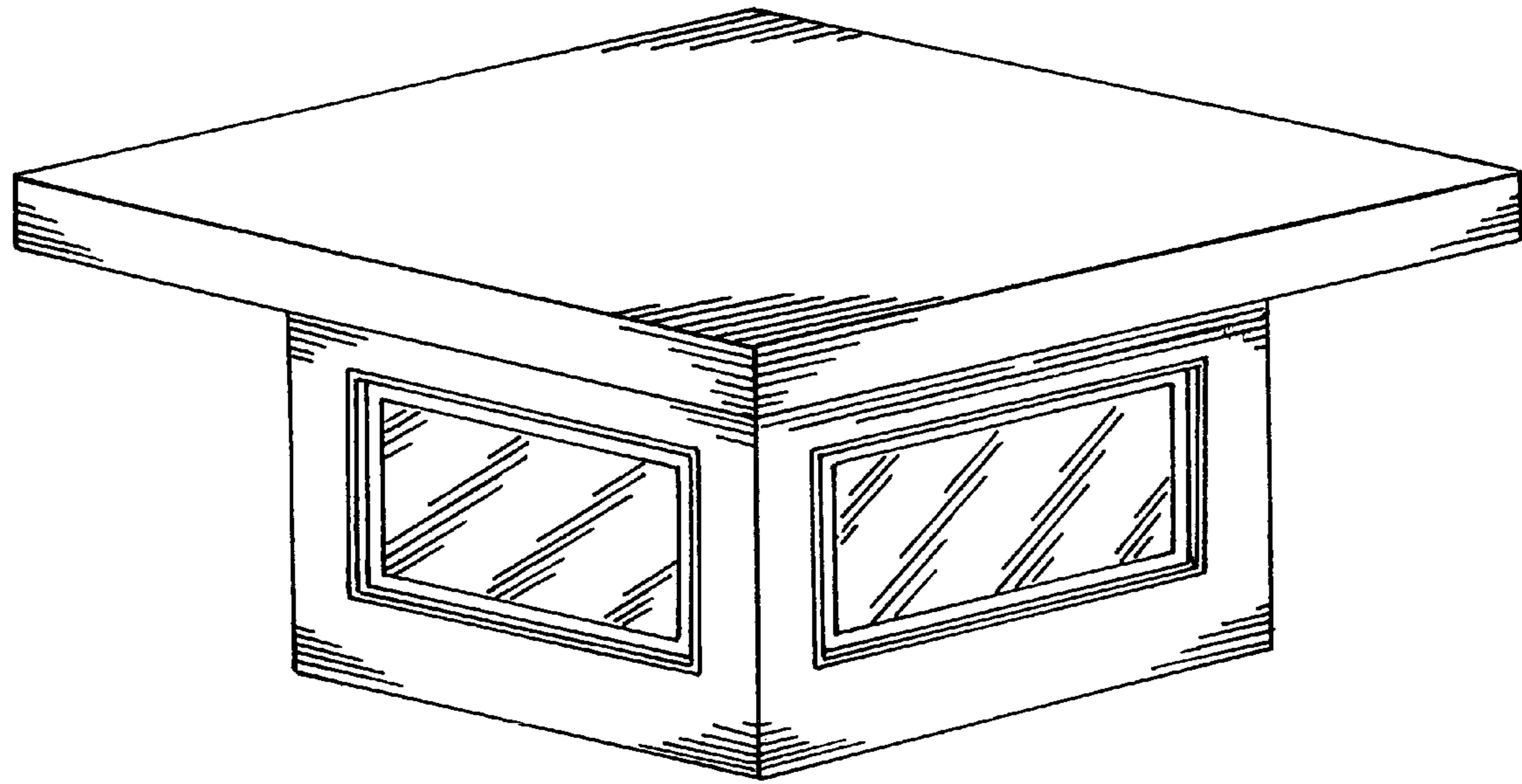


FIG-2

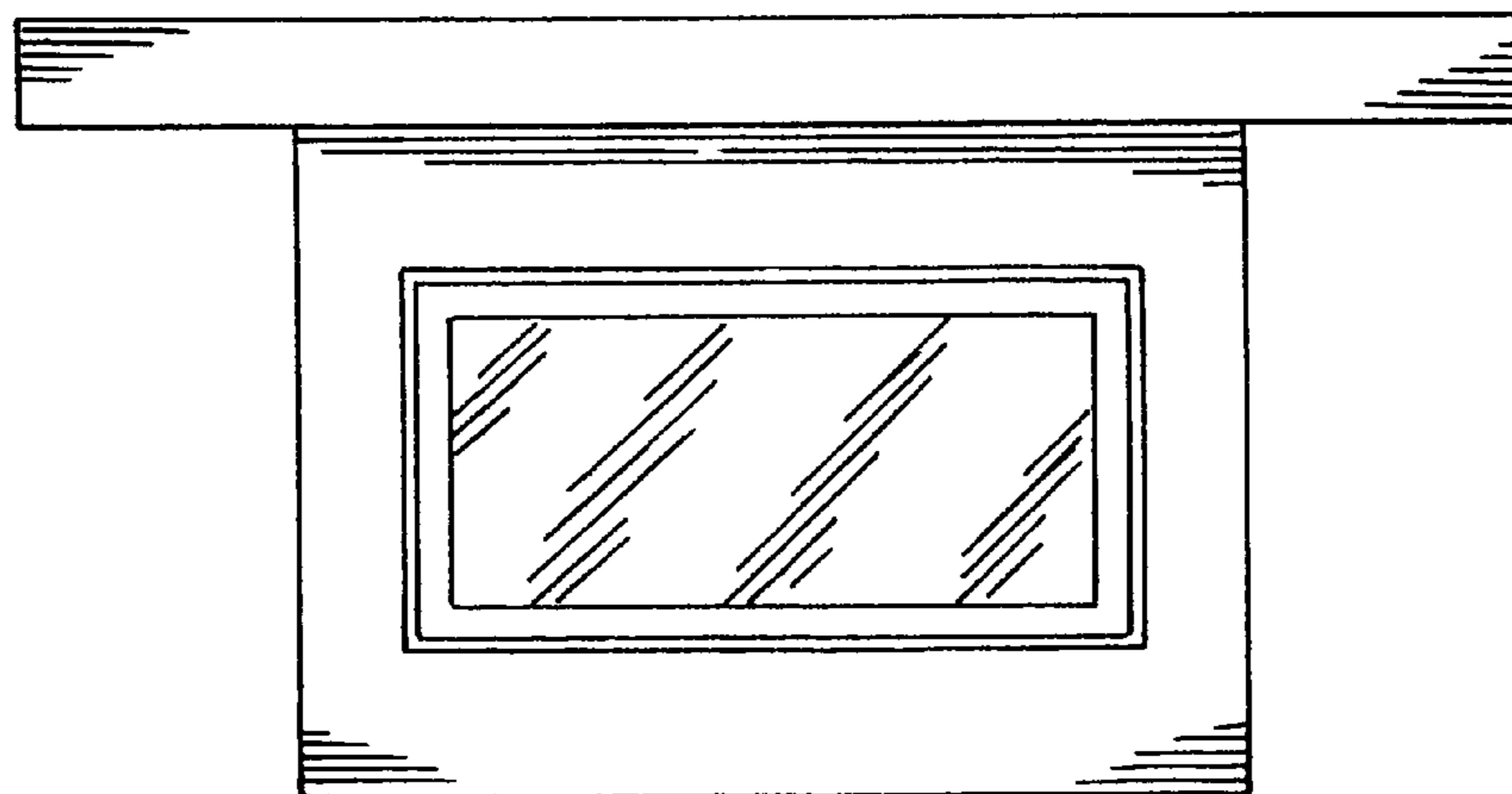


FIG-3

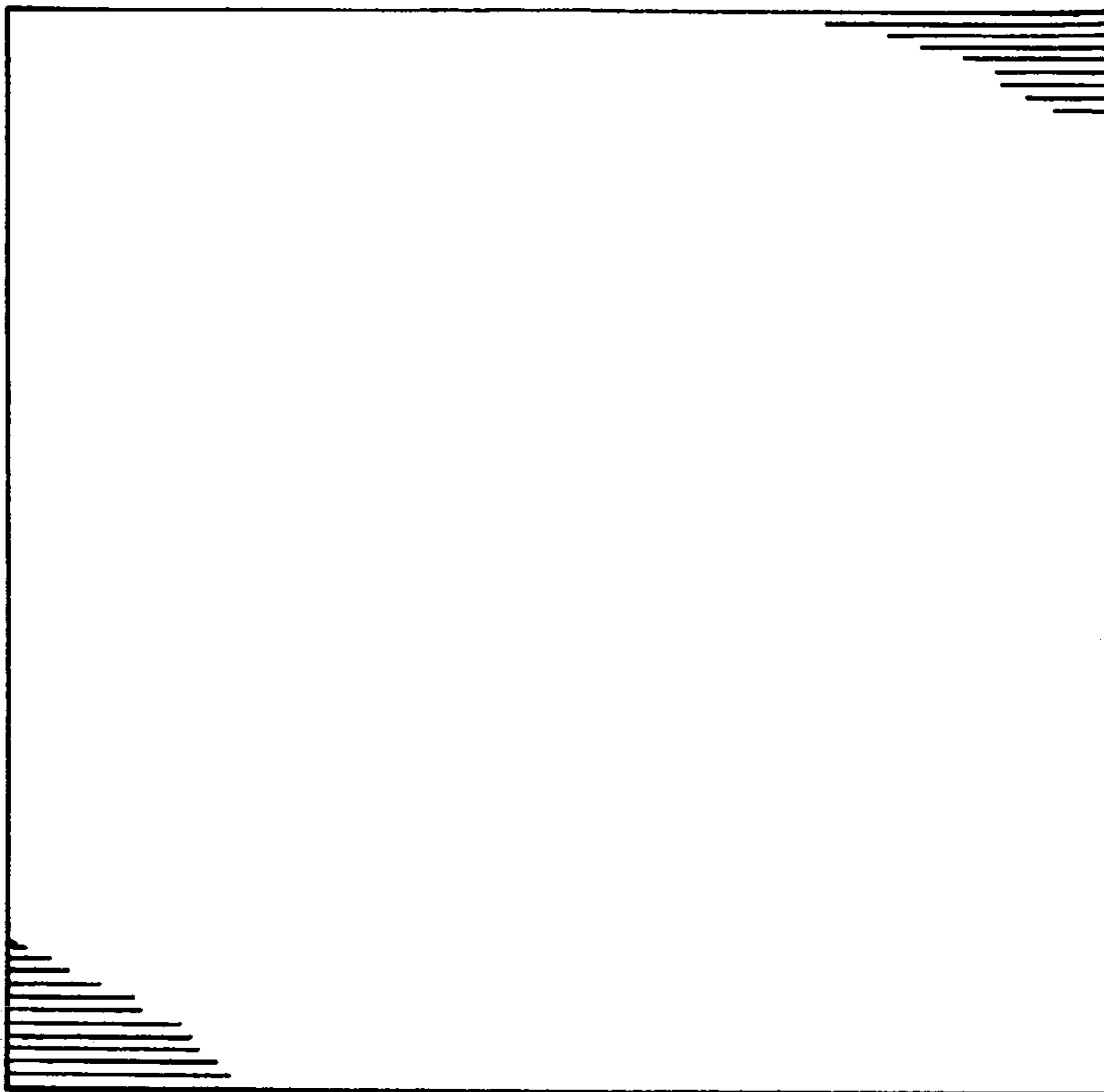


FIG-4

