

US00D635683S

(12) **United States Design Patent**
Shaikh et al.

(10) **Patent No.:** **US D635,683 S**

(45) **Date of Patent:** **** *Apr. 5, 2011**

(54) **TEAT**

(75) Inventors: **Jim Shaikh**, London (GB); **Adam Kyte**,
Malden (GB); **Richard Thom**, London
(GB); **Fabian Nehne**, Cologne (DE)

(73) Assignee: **Feed Me Bottles Ltd.**, London (GB)

(**) Term: **14 Years**

(21) Appl. No.: **29/365,717**

(22) Filed: **Jul. 14, 2010**

(30) **Foreign Application Priority Data**

Feb. 3, 2010 (EM) 001195028-0001

(51) **LOC (9) Cl.** **24-04**

(52) **U.S. Cl.** **D24/196**

(58) **Field of Classification Search** D24/193-197;
D9/436; 215/11.1-11.6, 386, 388, 390;
606/234-236

See application file for complete search history.

(56) **References Cited**

U.S. PATENT DOCUMENTS

1,106,927	A *	8/1914	Decker	215/11.6
1,146,639	A *	7/1915	Miller	215/11.5
1,466,190	A *	8/1923	Richmond	215/11.1
2,822,102	A *	2/1958	Holland	215/11.1
5,353,964	A	10/1994	Liu et al.		
5,419,445	A	5/1995	Kaesemeyer		
D368,529	S	4/1996	Allegre		
5,542,922	A	8/1996	Petterson et al.		
D441,087	S	4/2001	Johansen et al.		

D444,239	S *	6/2001	Kobayashi et al.	D24/196
D463,567	S *	9/2002	Morano	D24/196
6,616,319	B2	9/2003	Renz		
D538,939	S	3/2007	Conaway et al.		
D589,153	S	3/2009	Rosales		
D595,417	S	6/2009	Driver et al.		
D599,028	S	8/2009	Schofield		
D608,148	S	1/2010	Lane		
D609,528	S	2/2010	Roehrig et al.		
7,712,617	B2 *	5/2010	Silver	215/11.1
2004/0256345	A1 *	12/2004	Lundquist	215/11.5
2005/0247658	A1 *	11/2005	Renz	215/11.1

FOREIGN PATENT DOCUMENTS

CN	1064208	A	9/1992
GB	2398478		8/2004
WO	2004/054414		7/2004

* cited by examiner

Primary Examiner — Susan E Krakower

(74) *Attorney, Agent, or Firm* — Carmody & Torrance LLP

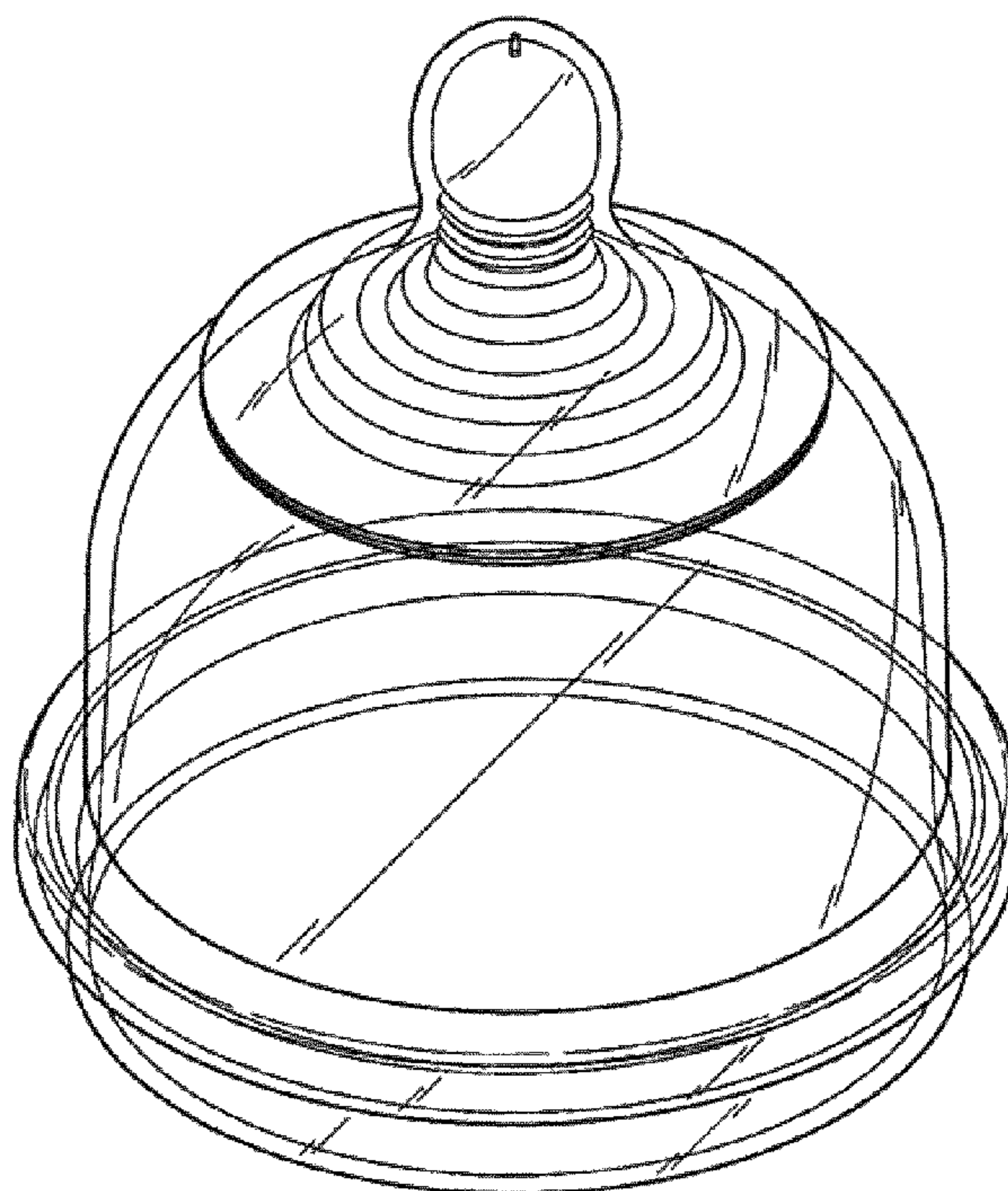
(57) **CLAIM**

The ornamental design for a teat, as shown and described.

DESCRIPTION

FIG. 1 is a perspective view of a teat showing our new design;
FIG. 2 is a front elevation view thereof;
FIG. 3 is a rear elevation view thereof;
FIG. 4 is a left side elevation view thereof;
FIG. 5 is a right side elevation view thereof;
FIG. 6 is a top plan elevation view thereof; and,
FIG. 7 is a bottom plan elevation view thereof.

1 Claim, 4 Drawing Sheets



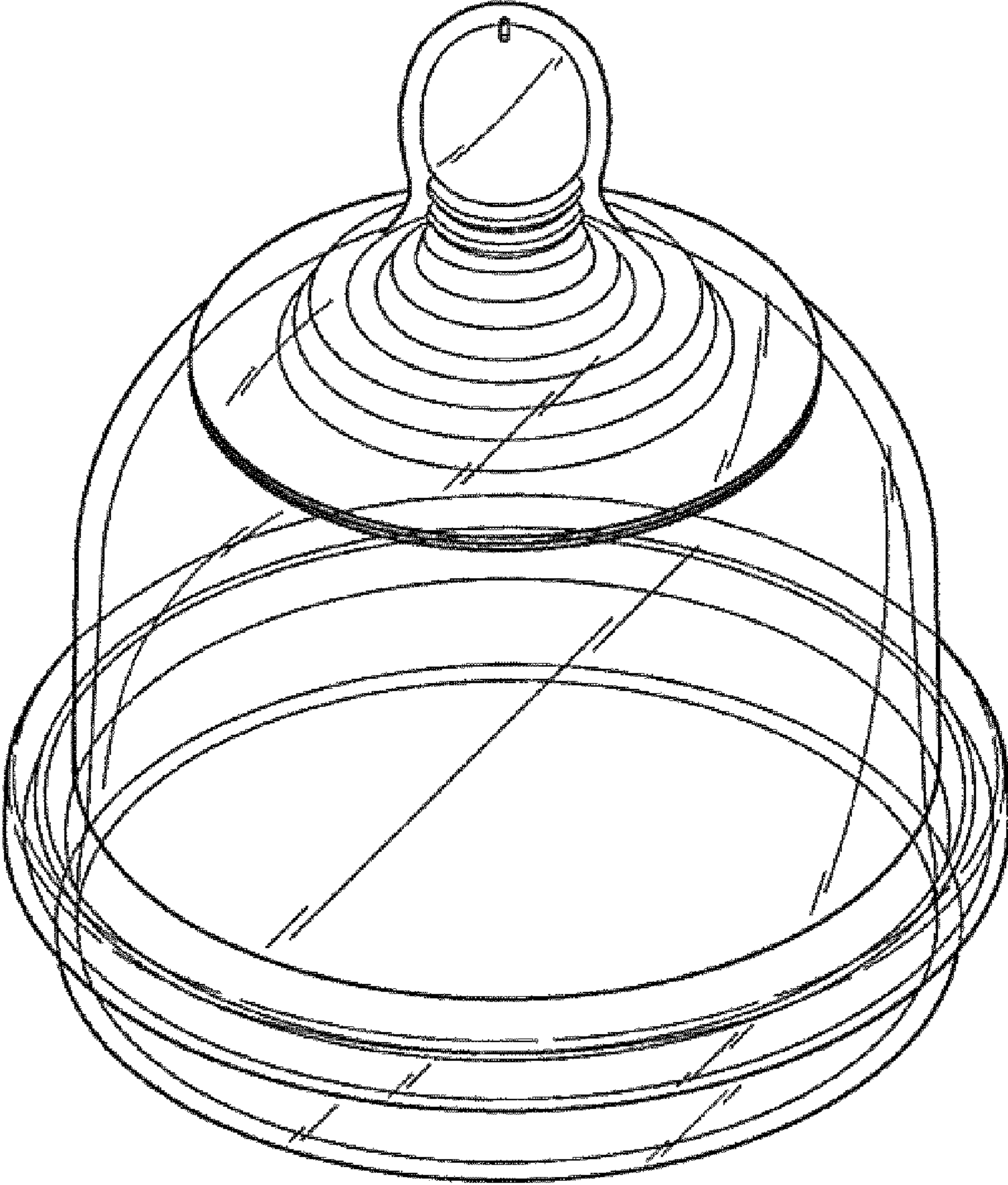


Fig.1.

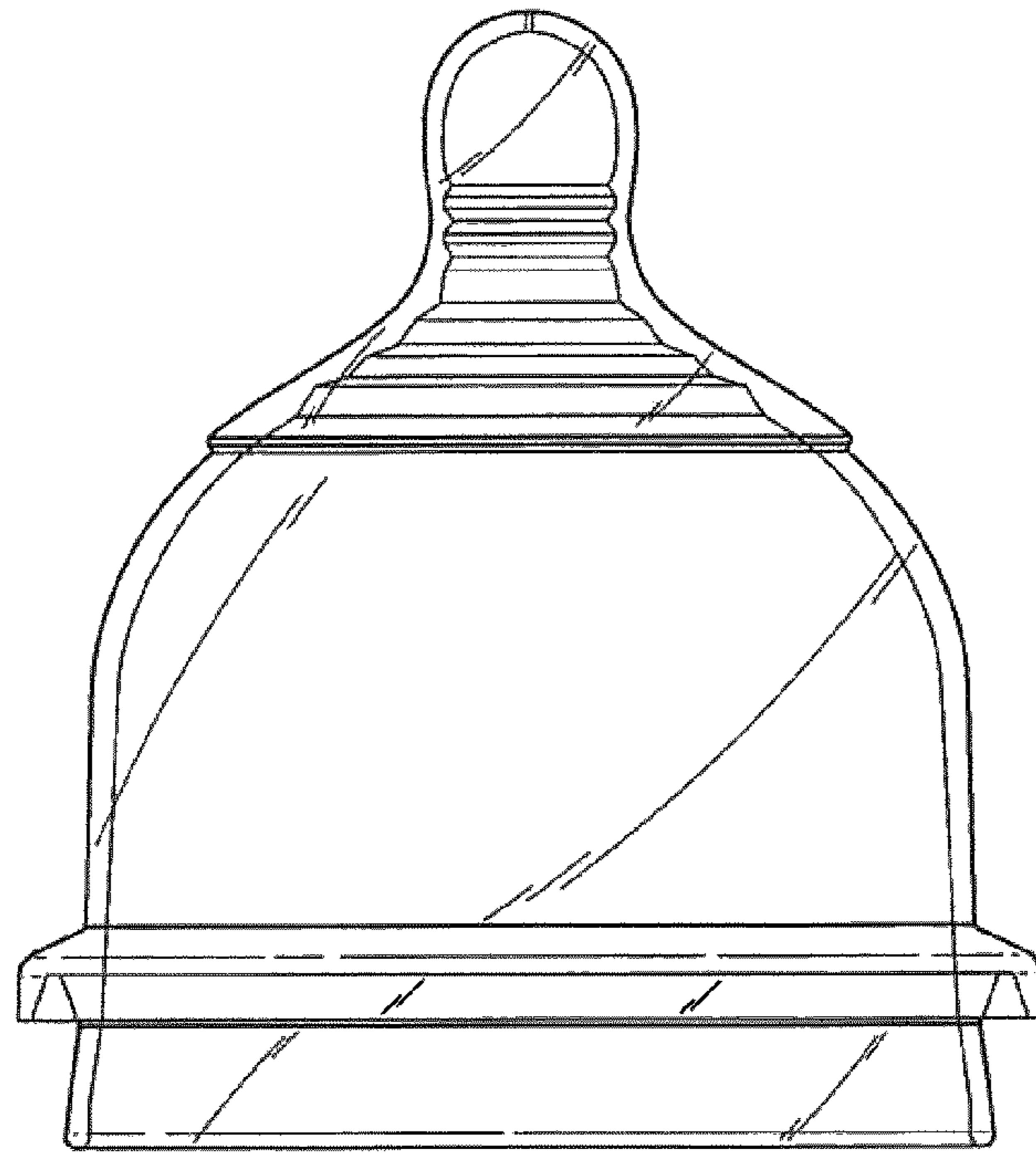


Fig.2.

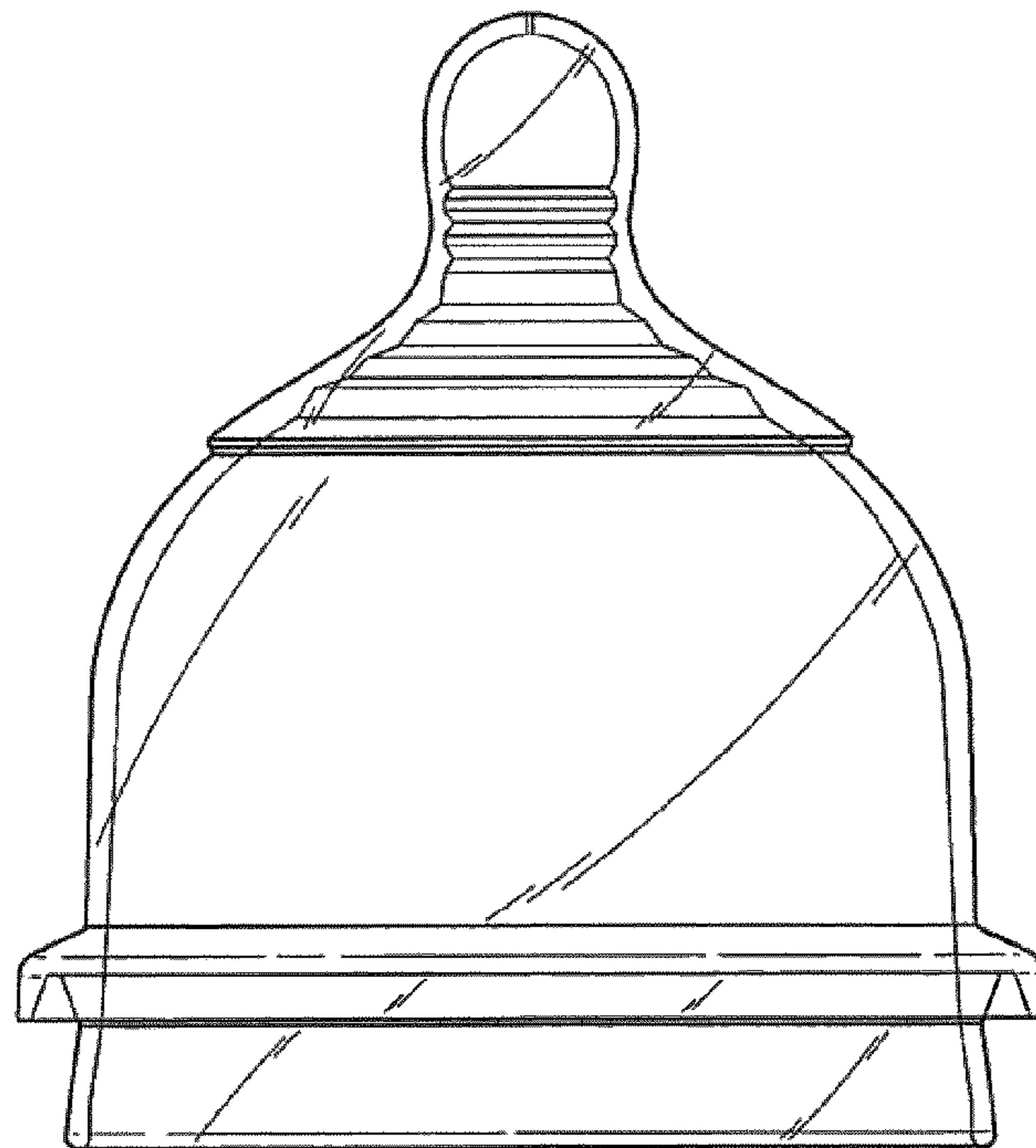


Fig.3.

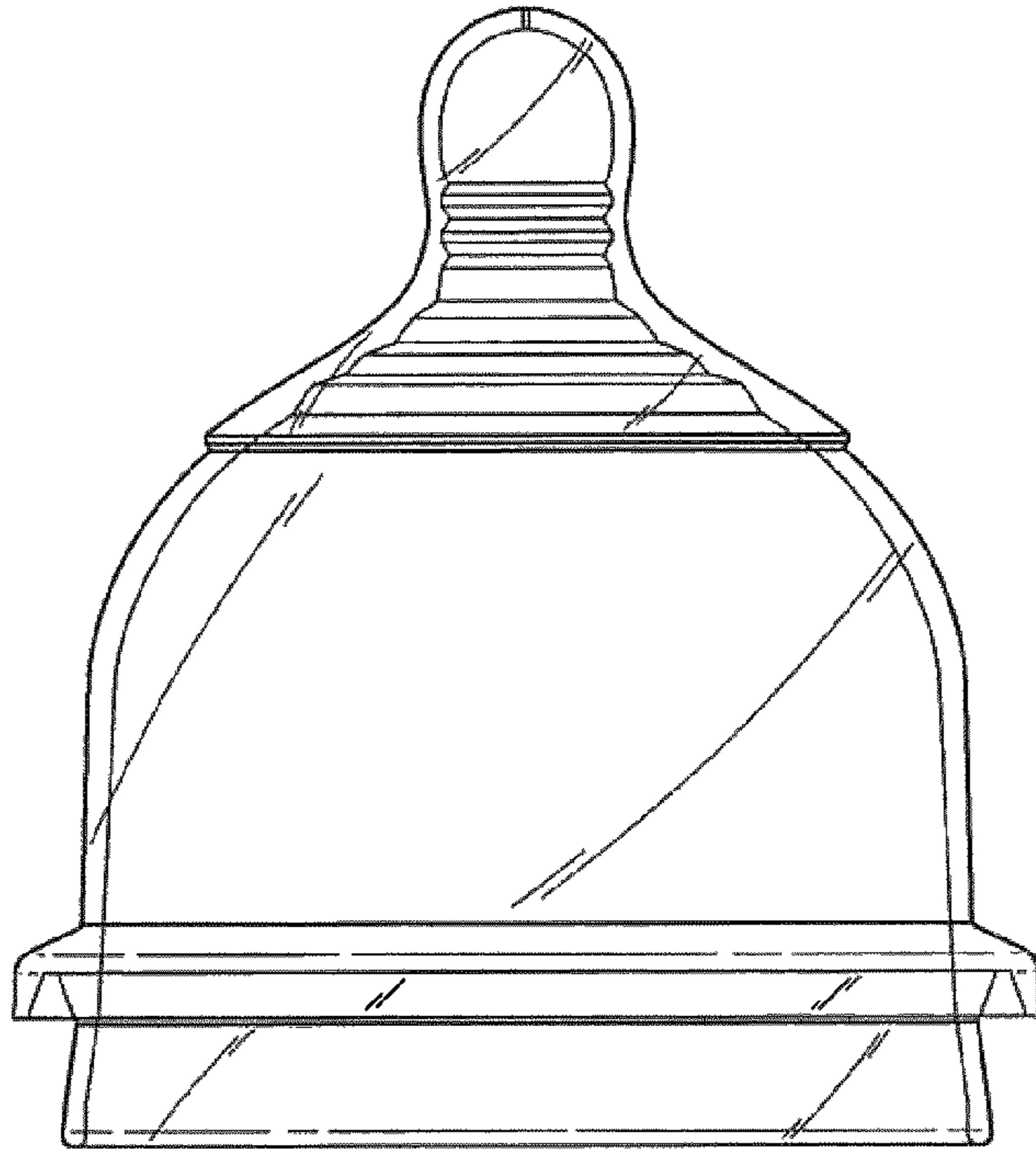


Fig.4.

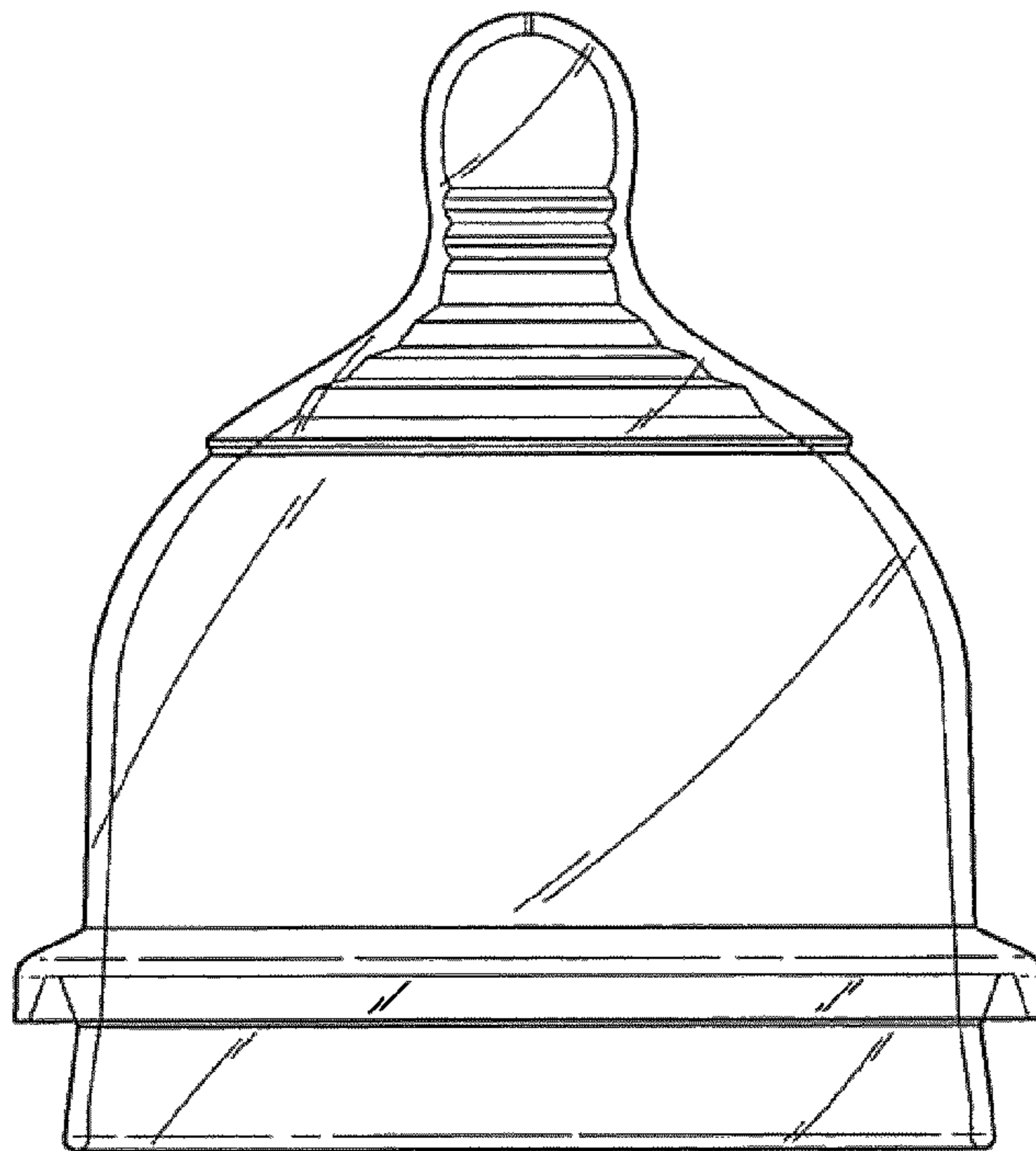


Fig.5.

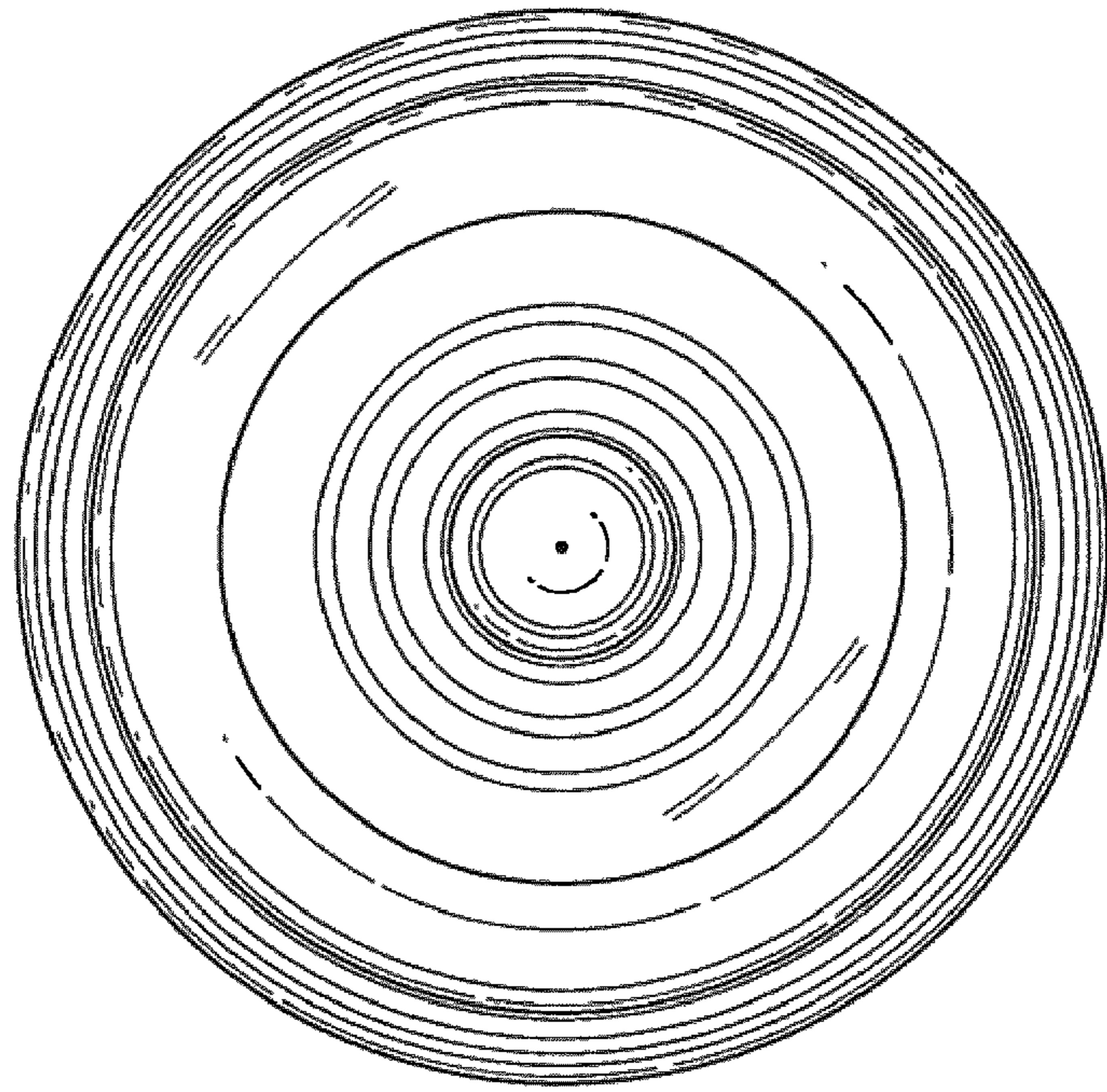


Fig.6.

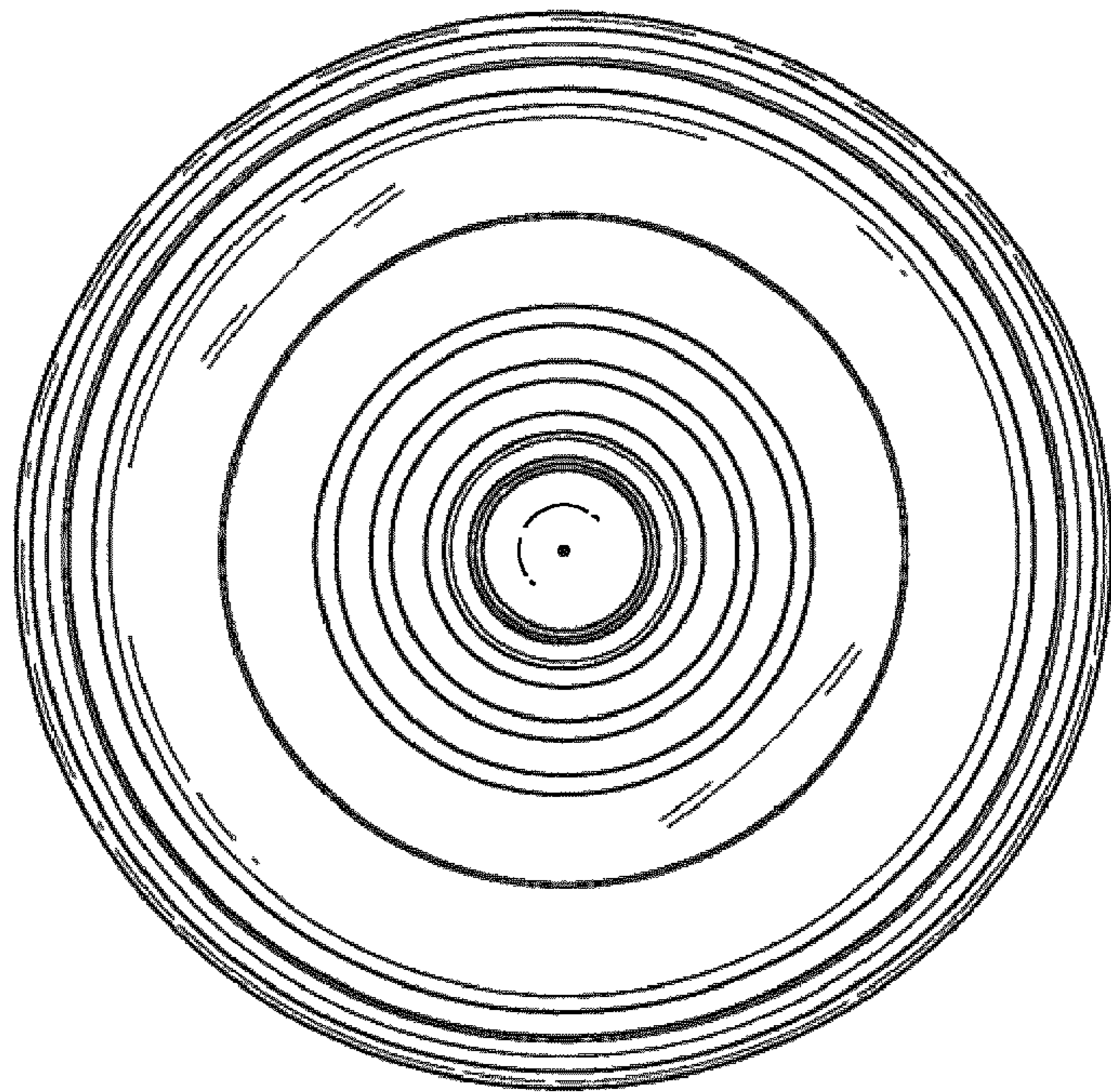


Fig.7.